



# HOSHIZAKI

## Parts List

Modular Crescent Cuber

Models

KMD-355MAJ, MWJ

KMD-505MAJ, MWJ, MRJZ

KMD-705MAJ, MWJ, MRJZ



[hoshizakiamerica.com](http://hoshizakiamerica.com)

Number: 71443

Issued: 4-8-2024

Revised: 5-14-2025

## Contents

Auxiliary Codes.....	3
A. Main Assembly & Refrigeration Circuit .....	4
KMD-355MAJ, KMD-505MAJ, KMD-705MAJ .....	4
KMD-355MWJ, KMD-505MWJ, KMD-705MWJ .....	7
KMD-505MRJZ, KMD-705MRJZ .....	9
B. Water Circuit .....	11
C. Control Box Assembly .....	13
D. Accessories & Labels .....	15

## Auxiliary Codes

### **KMD-355MAJ**

P-0 May 2024  
P-2 October 2024  
Q-0 May 2025

### **KMD-355MWJ**

P-0 May 2024  
P-2 October 2024  
Q-0 May 2025

### **KMD-505MAJ**

P-0 March 2024  
P-2 July 2024  
Q-0 January 2025

### **KMD-505MWJ**

P-0 February 2024  
P-2 July 2024  
Q-0 January 2025

### **KMD-505MRJZ**

P-0 February 2024  
P-2 July 2024  
Q-0 January 2025

### **KMD-705MAJ**

P-0 February 2024  
P-2 July 2024  
Q-0 January 2025

### **KMD-705MWJ**

P-0 February 2024  
Q-0 January 2025

### **KMD-705MRJZ**

P-0 February 2024  
P-2 July 2024  
Q-0 January 2025

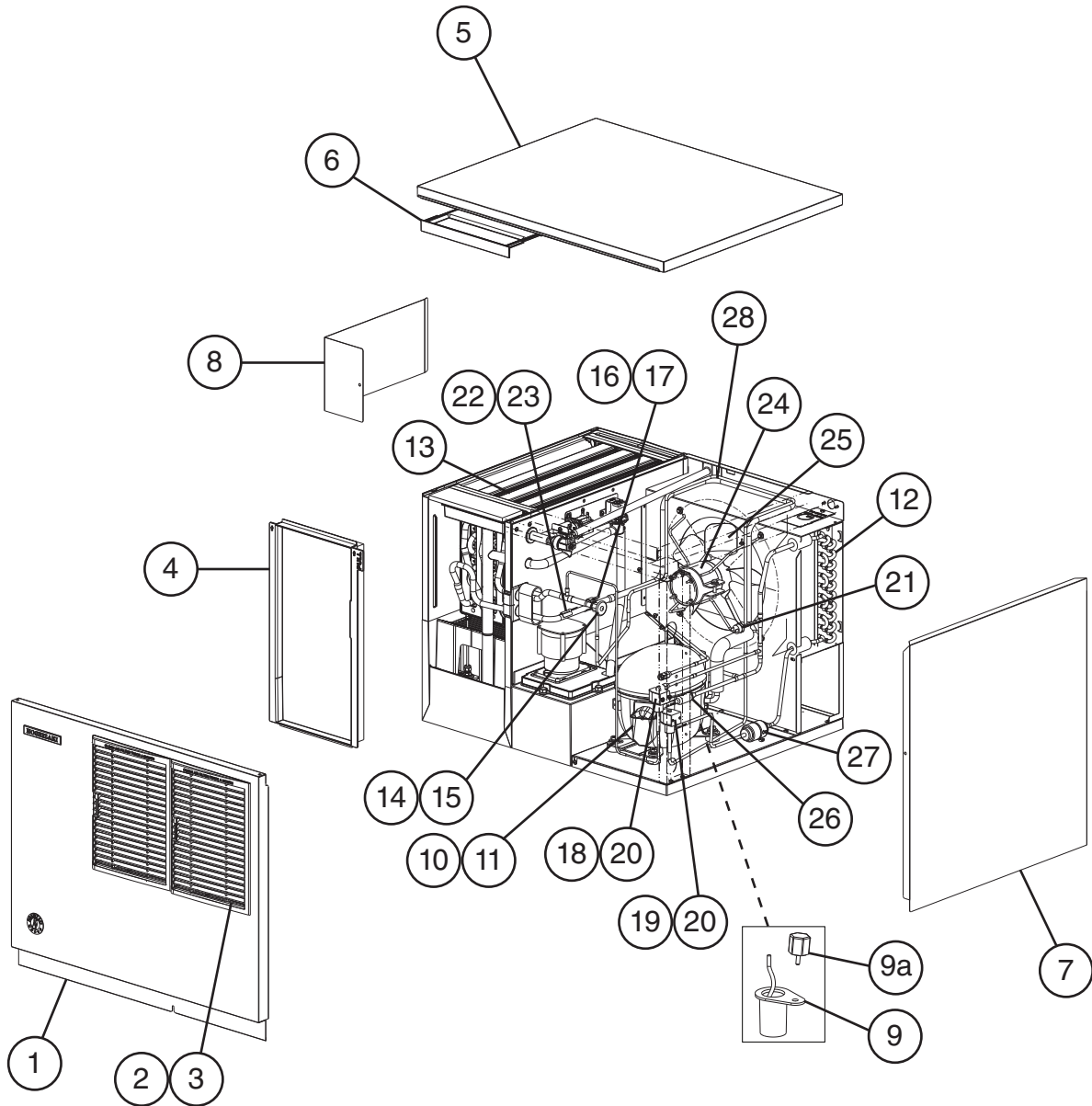
## Auxiliary Code Breakdown

The auxiliary code is the first two characters in the serial number. The first character indicates the year. Years progress or regress in alphabetical order. The series runs from "A" through "V" and the letters "I" and "O" are skipped. The second character indicates significant part changes within a year. Base is "0" and this number advances for each change. In cases where there is a letter in parentheses, this designates the month. This is the last character in the serial number. The series runs from "(A)" through "(M)" and the letter "(I)" is skipped. This designation is only included when identifying a parts change within an auxiliary code.

## Note About Ordering Parts

Most assemblies cannot be ordered as complete units; parts in the assemblies generally must be ordered separately.

**A. Main Assembly & Refrigeration Circuit**  
**KMD-355MAJ, KMD-505MAJ, KMD-705MAJ**  
 P-0 to Q-0

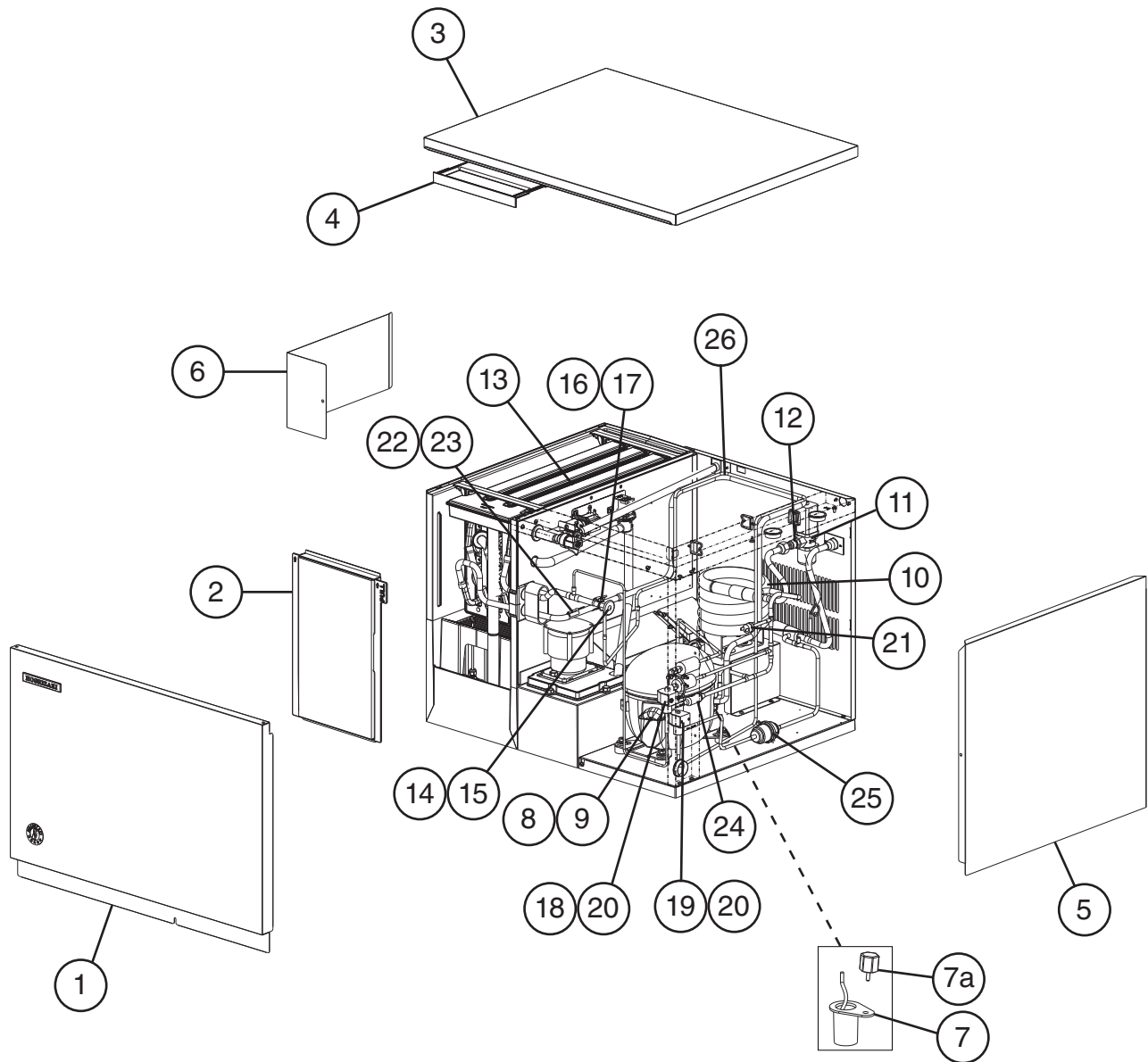


**Model Shown: KMD-705MAJ**

Title: A. Main Assembly & Refrigeration Circuit Model: KMD-355MAJ, KMD-505MAJ, KMD-705MAJ										
Index No.	Description	Material or Model Number	Part Number	Required Number						
				P-0 to Q-0						
<b>Main Assembly</b>										
1	Front Panel Assembly (includes items 2 and 3)	KMD-355MAJ	1A6806A01	1						
		KMD-505MAJ								
		KMD-705MAJ	1A6804A01	1						
2	Louver (includes item 3)		1A0548-01	2						
3	Air Filter		2A2063G01	2						
4	Front Insulation	KMD-355MAJ	3B1229G01	1						
		KMD-505MAJ								
		KMD-705MAJ	3B1229G02	1						
5	Top Panel		2B0253A01	1						
6	Top Insulation Assembly		3B1227G01	1						
7	Right Side Panel	KMD-355MAJ	2B0305-01	1						
		KMD-505MAJ								
		KMD-705MAJ	2B0305-02	1						
8	Control Box Cover		3B1345-01	1						
9	Ultrasonic Bin Control		4A6148G01	1						
9a	Thumbscrew		415949G10	1						
<b>Refrigeration Circuit</b>										
10	Compressor	KMD-355MAJ	4A5090-01	1						
		KMD-505MAJ	4A4479-01	1						
		KMD-705MAJ	4A5669-01	1						
11	External Protector	KMD-355MAJ	4A5120-01	1						
		KMD-505MAJ	4A4481-01	1						
12	Condenser	KMD-355MAJ	2A9955-01	1						
		KMD-505MAJ								
		KMD-705MAJ	2A9956-01	1						
13	Evaporator	KMD-355MAJ	2B0213A01	1						
		KMD-505MAJ								
		KMD-705MAJ	2B0213A02	1						
14	Thermostatic Expansion Valve	KMD-355MAJ	4A1684-02	1						
		KMD-505MAJ	4A1414-02	1						
		KMD-705MAJ	4A1482-01	1						
15	Thermostatic Expansion Valve Cover		4A6853-01	1						
16	Thermostatic Expansion Valve Bulb Holder		3A0107-01	1						
17	Clamp		443461-02	1						
18	Hot Gas Valve Body		4A3978-01	1						
19	Line Valve Body		4A3276-01	1						
20	Valve Coil		4A3277-01	2						
21	High-Pressure Switch		463180-04	1						
22	Thermistor	SP-5672	429006-03	1						
23	Thermistor Holder		427430-01	1						
24	Fan Motor		4A3158-01	1						

Title: A. Main Assembly & Refrigeration Circuit    Model: KMD-355MAJ, KMD-505MAJ, KMD-705MAJ												
Index No.	Description	Material or Model Number	Part Number	P-0 to Q-0	Required Number							
25	Fan Blade	<b>KMD-355MAJ</b>	4A4014-01	1								
		<b>KMD-505MAJ</b>										
		<b>KMD-705MAJ</b>	4A0197-01	1								
26	Strainer		441569-04	1								
27	Drier		4A1113-01	1								
28	Heat Exchanger	<b>KMD-355MAJ</b>	2B0294G01	1								
		<b>KMD-505MAJ</b>										
		<b>KMD-705MAJ</b>	2B0309G01	1								

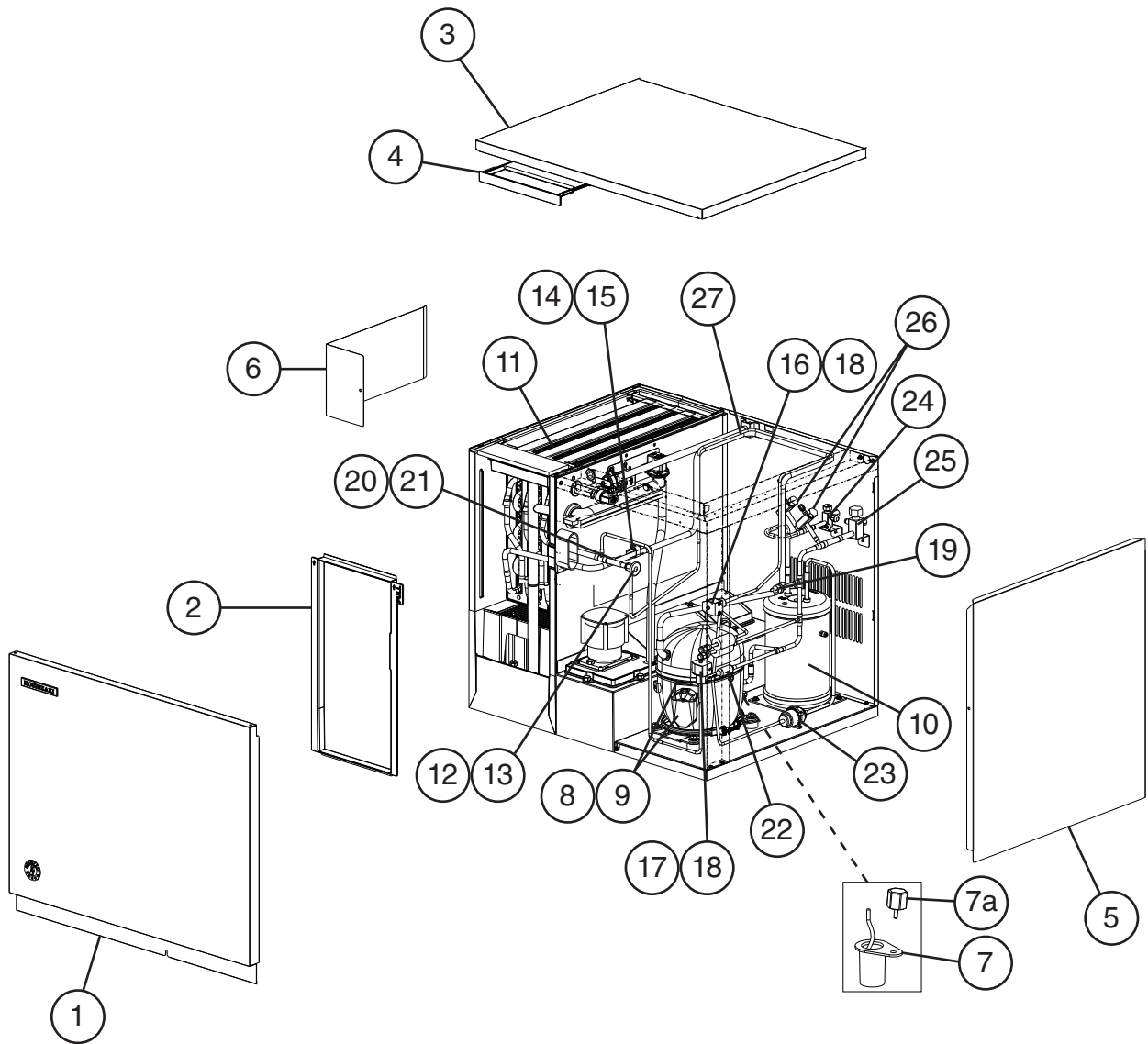
**A. Main Assembly & Refrigeration Circuit**  
**KMD-355MWJ, KMD-505MWJ, KMD-705MWJ**  
 P-0 to Q-0



**Model Shown: KMD-505MWJ**

Title: A. Main Assembly & Refrigeration Circuit Model: KMD-355MWJ, KMD-505MWJ, KMD-705MWJ										
Index No.	Description	Material or Model Number	Part Number	Required Number						
				P-0 to Q-0						
<b>Main Assembly</b>										
1	Front Panel Assembly	KMD-355MWJ	1A6806A02	1						
		KMD-505MWJ								
		KMD-705MWJ	1A6804A02	1						
2	Front Insulation	KMD-355MWJ	3B1229G01	1						
		KMD-505MWJ								
		KMD-705MWJ	3B1229G02	1						
3	Top Panel		2B0253A01	1						
4	Top Insulation		3B1227G01	1						
5	Right Side Panel	KMD-355MWJ	2B0305-01	1						
		KMD-505MWJ								
		KMD-705MWJ	2B0305-02	1						
6	Control Box Cover		3B1345-01	1						
7	Ultrasonic Bin Control		4A6148G01	1						
7a	Thumbscrew		415949G10	1						
<b>Refrigeration Circuit</b>										
8	Compressor	KMD-355MWJ	4A5090-01	1						
		KMD-505MWJ	4A4376-02	1						
		KMD-705MWJ	4A5669-01	1						
9	External Protector	KMD-355MWJ	4A5120-01	1						
		KMD-505MWJ	4A2634-02	1						
10	Condenser	KMD-355MWJ	3A8514-01	1						
		KMD-505MWJ								
		KMD-705MWJ	3A7323-01	1						
11	Water Regulating Valve	KMD-355MWJ	4A0911-07	1						
		KMD-505MWJ								
		KMD-705MWJ	4A0911-06	1						
12	Male Connector		4A1087-01	1						
13	Evaporator	KMD-355MWJ	2B0213A01	1						
		KMD-505MWJ								
		KMD-705MWJ	2B0213A02	1						
14	Thermostatic Expansion Valve	KMD-355MWJ	4A1684-02	1						
		KMD-505MWJ	4A1414-02	1						
		KMD-705MWJ	4A1482-01	1						
15	Thermostatic Expansion Valve Cover		4A6853-01	1						
16	Thermostatic Expansion Valve Bulb Holder		3A0107-01	1						
17	Clamp		443461-02	1						
18	Hot Gas Valve Body		4A3978-01	1						
19	Liquid Line Valve Body		4A3276-01	1						
20	Valve Coil		4A3277-01	2						
21	High-Pressure Switch		463180-05	1						
22	Thermistor	SP-5672	429006-03	1						
23	Thermistor Holder		427430-01	1						
24	Strainer		441569-04	1						
25	Drier		4A1113-01	1						
26	Heat Exchanger	KMD-355MWJ	2B0294G01	1						
		KMD-505MWJ								
		KMD-705MWJ	2B0309G01	1						

**A. Main Assembly & Refrigeration Circuit**  
**KMD-505MRJZ, KMD-705MRJZ**  
P-0 to Q-0



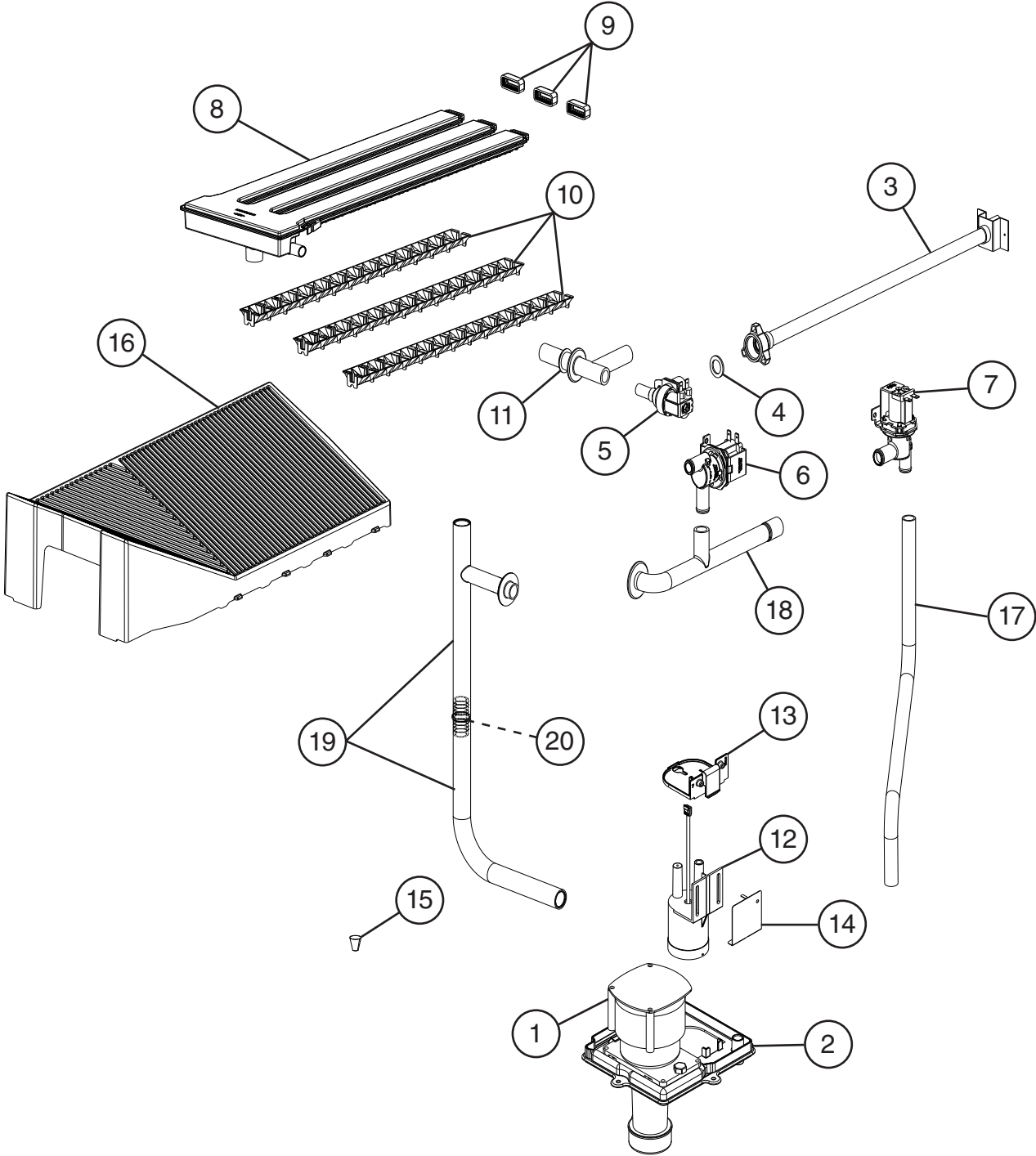
**Model Shown: KMD-705MRJZ**

Title: A. Main Assembly & Refrigeration Circuit Model: KMD-505MRJZ, KMD-705MRJZ												
Index No.	Description	Material or Model Number	Part Number	Required Number								
				P-0 to Q-0								
<b>Main Assembly</b>												
1	Front Panel Assembly	KMD-505MRJZ	1A6806A02	1								
		KMD-705MRJZ	1A6804A02	1								
2	Front Insulation	KMD-505MRJZ	3B1229G01	1								
		KMD-705MRJZ	3B1229G02	1								
3	Top Panel		2B0253A01	1								
4	Top Insulation		3B1227G01	1								
5	Right Side Panel	KMD-505MRJZ	2B0305-01	1								
		KMD-705MRJZ	2B0305-02	1								
6	Control Box Cover		3B1345-01	1								
7	Ultrasonic Sensor		4A6148G01	1								
7a	Thumbscrew		415949G10	1								
<b>Refrigeration Circuit</b>												
8	Compressor	KMD-505MRJZ	4A4376-02	1								
		KMD-705MRJZ	4A5669-01	1								
9	Crankcase Heater		4A5091-01	1								
10	Receiver	KMD-505MRJZ	4A6212-01	1								
		KMD-705MRJZ	4A6213-01	1								
11	Evaporator	KMD-505MRJZ	2B0213A01	1								
		KMD-705MRJZ	2B0213A02	1								
12	Thermostatic Expansion Valve	KMD-505MRJZ	4A1414-02	1								
		KMD-705MRJZ	4A1482-01	1								
13	Thermostatic Expansion Valve Cover		4A6853-01	1								
14	Thermostatic Expansion Valve Bulb Holder		3A0107-01	1								
15	Clamp		443461-01	1								
16	Hot Gas Valve Body		4A3978-01	1								
17	Liquid Line Valve Body		4A3276-01	1								
18	Valve Coil		4A3277-01	2								
19	High-Pressure Switch		463180-04	1								
20	Thermistor	SP-5672	429006-03	1								
21	Thermistor Holder		427430-01	1								
22	Strainer		441569-04	1								
23	Drier		4A1113-01	1								
24	Liquid Line Shutoff Valve		4A3491-01	1								
25	Discharge Line Shutoff Valve	KMD-505MRJZ	4A3491-01	1								
		KMD-705MRJZ	4A4822-01	1								
26	Liquid Line and Discharge Line Service Valve		4A3420-01	2								
27	Heat Exchanger	KMD-505MRJZ	2B0294G01	1								
		KMD-705MRJZ	2B0309G01	1								

**B. Water Circuit**

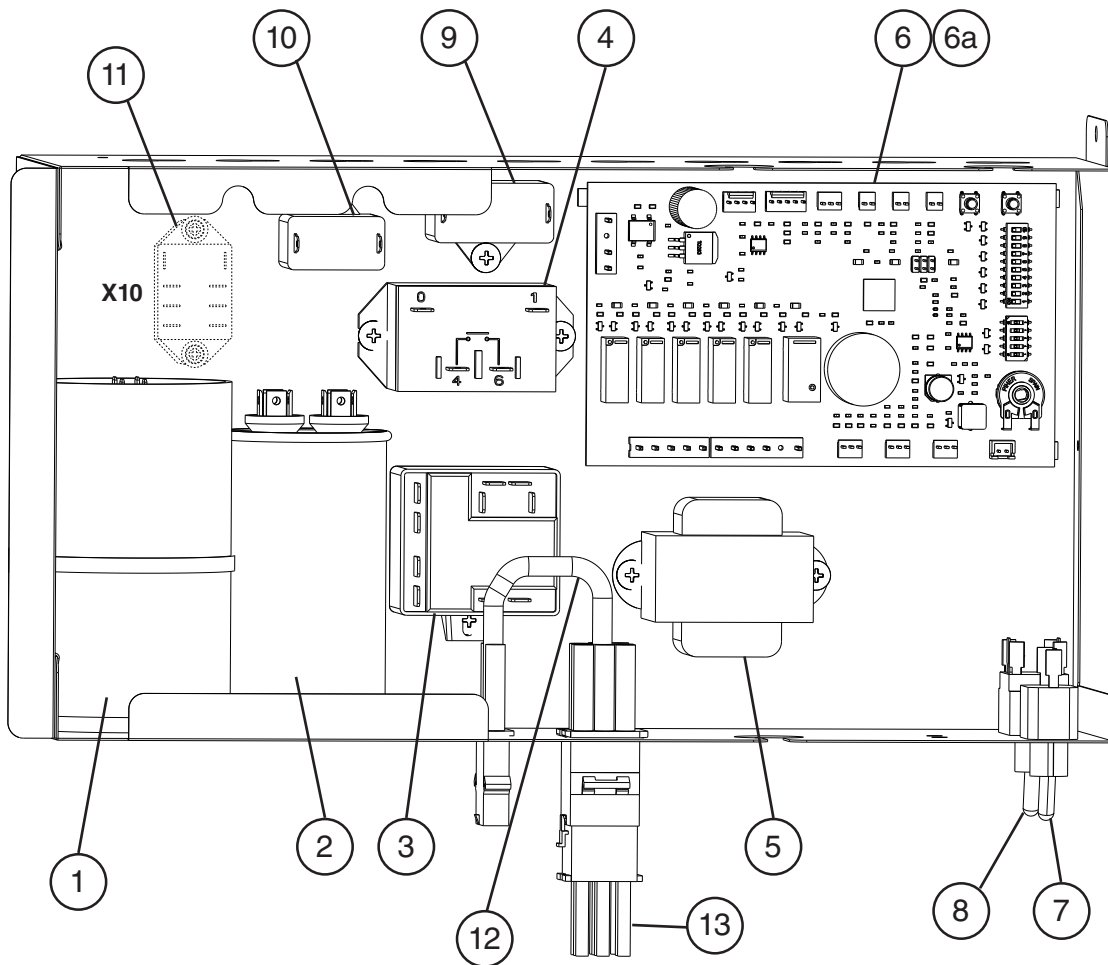
**KMD-355M\_J, KMD-505M\_J(Z), KMD-705M\_J(Z)**

P-0 to Q-0



Title: B. Water Circuit Model: KMD-355M_J, KMD-505M_J(Z), KMD-705M_J(Z)										
Index No.	Description	Material or Model Number	Part Number	P-0 to Q-0	Required Number					
1	Pump Motor		4A4259-01	1						
2	Pump Motor Bracket		4A7441-01	1						
3	Water Supply Pipe		4A0768G12	1						
4	Rubber Gasket		413854-03	1						
5	Inlet Water Valve		4A6722-06	1						
6	Cleaning Valve		4A5745-01	1						
7	Drain Valve		4A5745-03	1						
8	Spray Tube/Water Supply Tube Assembly		1A6720G01	1						
9	Cap		4A6394-01	3						
10	Spray Guide		2A4282-03	3						
11	Water Supply Tee		3A9429-01	1						
12	Float Switch Assembly		4A7077G01	1						
13	Float Switch Bracket		4A7442-01	1						
14	Float Switch Stop Bracket	KMD-355MAJ	4A7446-03	1						
		KMD-355MAJ	4A7446-04	1						
		KMD-505M_J(Z)	4A7446-01	1						
		KMD-705M_J(Z)	4A7446-02	1						
15	Drain Plug		4A7186-01	1						
16	Cube Guide (A)		1A6698-01	1						
17	Vinyl Hose	KMD-355M_J KMD-505M_J(Z) L=342 mm	7716B1519	1						
		KMD-705M_J(Z) L=455 mm		1						
18	Bypass Hose		3A9544-01	1						
19	3-Piece Discharge Hose Assembly (includes item 20)	KMD-355MAJ KMD-505M_J(Z)	2B0208G02	1						
		KMD-705M_J(Z)	2B0208G01	1						
20	Barb Pipe		2A8823-01	1						

**C. Control Box Assembly**  
**KMD-355M\_J, KMD-505M\_J(Z), KMD-705M\_J(Z)**  
P-0 to Q-0

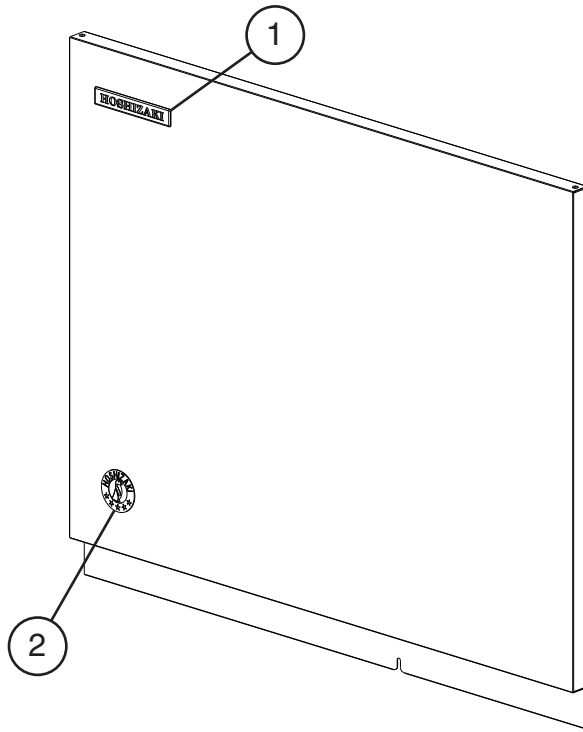


Title: C. Control Box Assembly Model: KMD-355M_J, KMD-505M_J(Z), KMD-705M_J(Z)								
Index No.	Description	Material or Model Number	Part Number	Required Number				
				P-0 to Q-0				
1	Start Capacitor	<b>KMD-355M_J</b> <b>KMD-505M_J(Z)</b> 243-292MFD, 165VAC	3A0076-20	1				
		<b>KMD-705M_J(Z)</b> 340-408MFD, 250VAC	3A0076-24	1				
2	Run Capacitor	<b>KMD-355M_J</b> <b>KMD-505M_J(Z)</b> 35 MFD, 440VAC	3A2005-12	1				
		<b>KMD-705M_J(Z)</b> 40MFD 370VAC	3A2005-13	1				
3	Start Relay	<b>KMD-355M_J</b>	4A1107-18	1				
		<b>KMD-505M_J(Z)</b>	4A1107-11	1				
		<b>KMD-705M_J(Z)</b>	4A1107-22	1				
4	Compressor Relay		4A3140-01	1				
5	Control Transformer		3A0172-01	1				
6	Control Board		2A9678-02	1				
6a	Control Board Support		4A0336-03	4				
7	Control Switch		4A0985-01	1				
8	Mode Switch		4A6232-01	1				
9	Fan Motor Capacitor	<b>MAJ Models</b> 5.0MFD, 250VAC	4A6435-02	1				
10	Pump Motor Capacitor	2.5 MFD, 250VAC	4A2128-05	1				
11	X10 - Crankcase Heater Relay	<b>KMD-505MRJZ</b> <b>KMD-705MRJZ</b>	406132-07	1				
12	Wire Harness A		1A7023-01	1				
13	Wire Harness B		1A7024-01	1				
14	Wire Harness C (not shown)	<b>KMD-505MRJZ</b> <b>KMD-705MRJZ</b>	1A5041-01	1				

## D. Accessories & Labels

KMD-355M\_J, KMD-505M\_J(Z), KMD-705M\_J(Z)

P-0 to Q-0



Title: D. Accessories & Labels Model: KMD-355M_J, KMD-505M_J(Z), KMD-705M_J(Z)											
Index No.	Description	Material or Model Number	Part Number	Required Number							
				P-0 to Q-0							
1	Hoshizaki Emblem		4A0560-01	1							
2	Penguin Label		475552L02	1							
3	Universal Brace		4A0363-01	2							
4	Hex Head Bolt	5x12	7B02-0512	4							