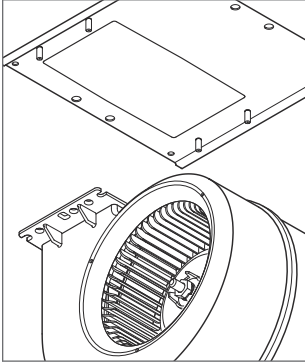


CONTENTS

- 1 Assembly, blower

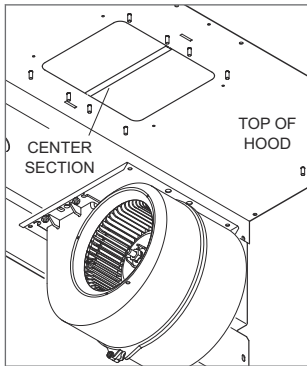
MOUNTING PLATE (SINGLE BLOWER ONLY)

Secure the mounting plate (shipped with the blower) to the blower with four nuts.

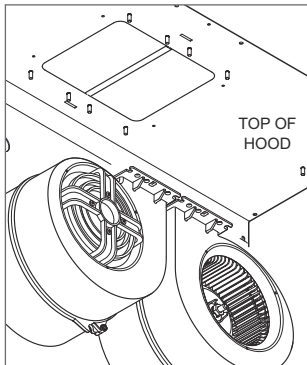


24" AND 27" PRO WALL HOODS

- 1 For single blowers only, remove the center section from the hood discharge.

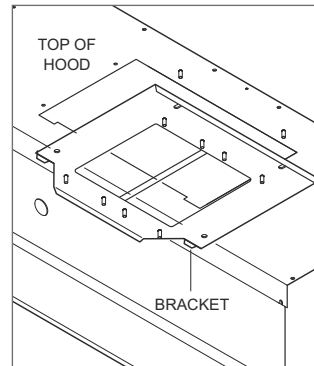


- 2 Install each blower using four nuts per blower.

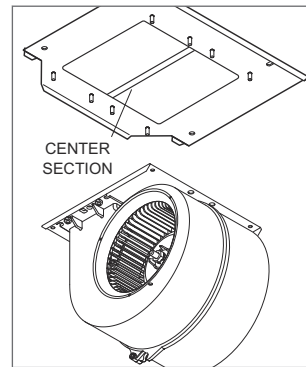


PRO ISLAND, PRO CHIMNEY, PRO LINER, AND OUTDOOR HOODS

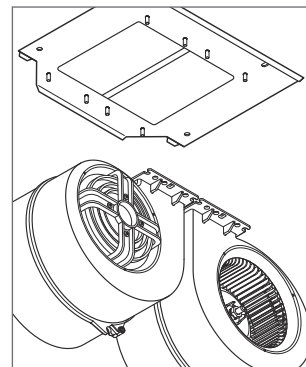
- 1 Remove the two nuts from the blower mounting bracket, then remove the bracket from the hood.



- 2 For single blowers only, remove the center section from the bracket.



- 3 Install each blower on the bracket using four nuts per blower.



- 4 Align the tabs on the back of the bracket with the notches at the back of the discharge, then rotate the front of the assembly upward and secure the assembly with the two existing nuts.