

P1 x 1

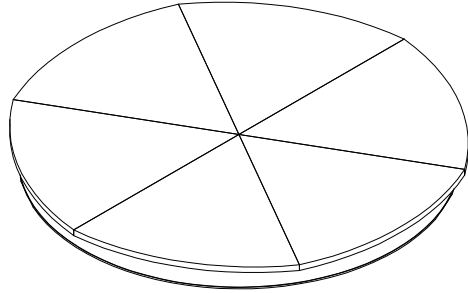
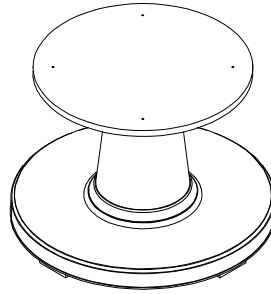


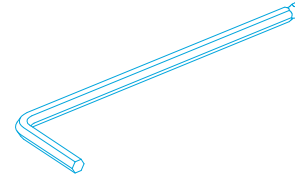
Table top

P2 x 1



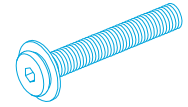
Base

H1 x 1

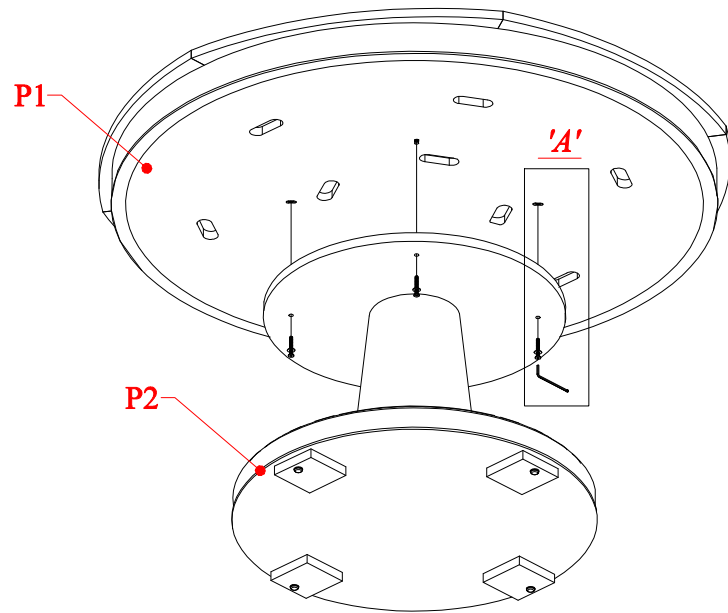


Steel allen wrench

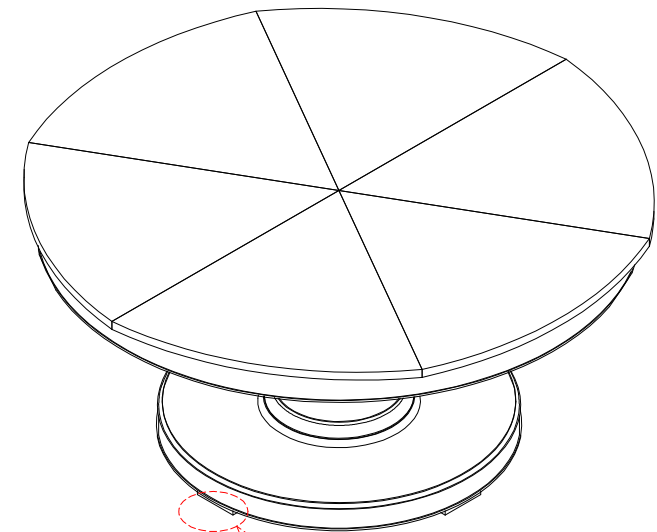
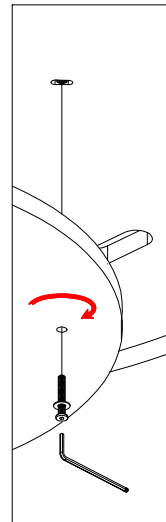
H2 x 4



Steel allen bolt , washer & lock



Detail 'A'



Detail 'B' — Adjustable glider

TOP PANEL UNFOLDING INSTRUCTION:

