



FRIGIDAIRE

Factory Parts Catalog

Product No.	FFBD1831UB	FFBD1831US	FFBD1831UW
Series	Built-in 18"	Built-in 18"	Built-in 18"
Color	black	stainless	white
Owner's Guide English	A15931101	A15931101	A15931101
Owner's Guide Spanish	A15931103	A15931103	A15931103
Owner's Guide French	A15931102	A15931102	A15931102
Service Data Sheet	A16307801	A16307801	A16307801
Installation Instructions	A16308101	A16308101	A16308101
Market	North America	North America	North America

Frigidaire

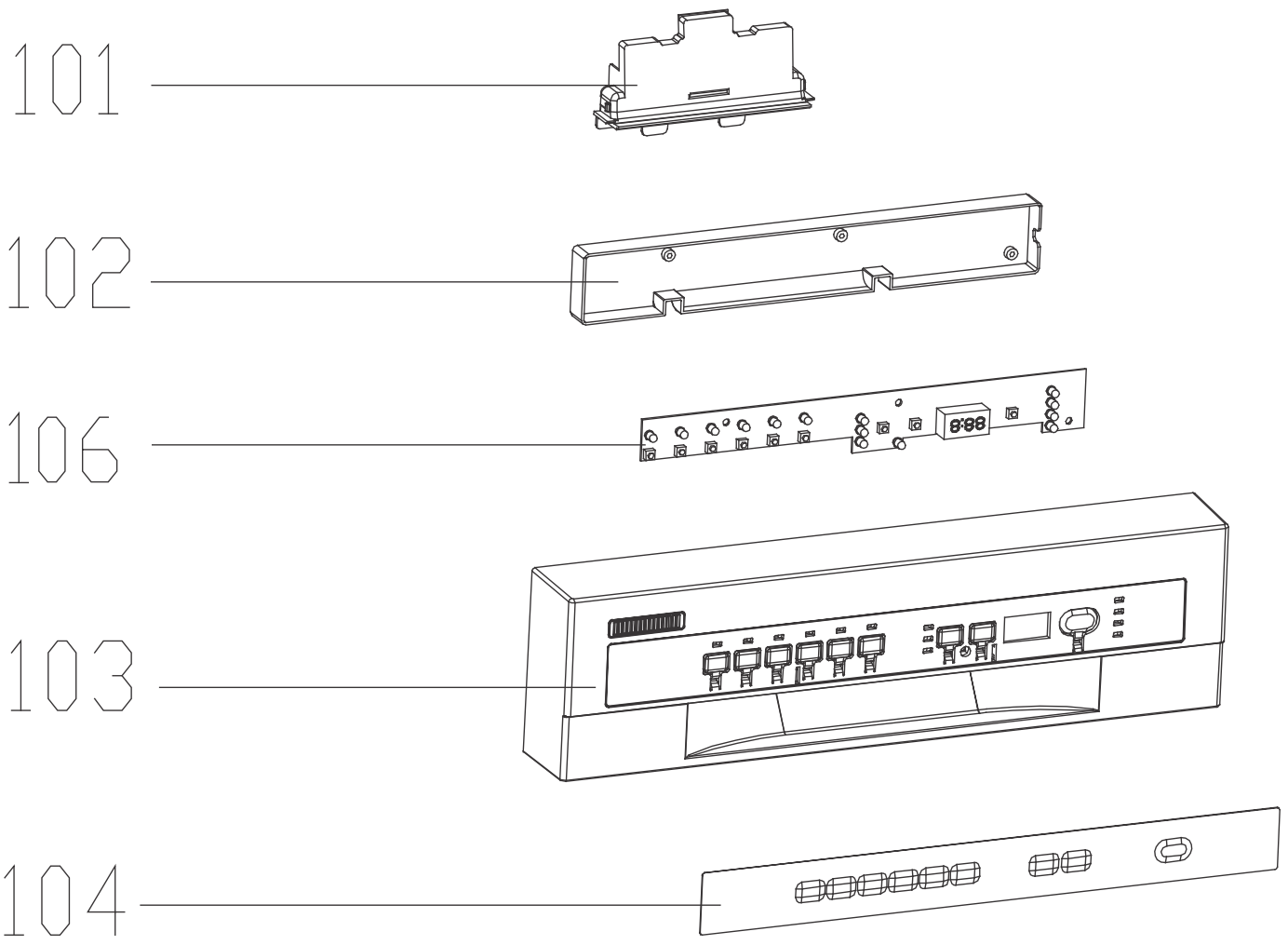
P.O. BOX 8020
CHARLOTTE, NC 28262

Publication No.
5995712840
19/03/11
(EN/SERVICE/ECL)
821

18-INCH BUILT-IN DISHWASHER

Model No.
FFBD1831U

CONTROL PANEL



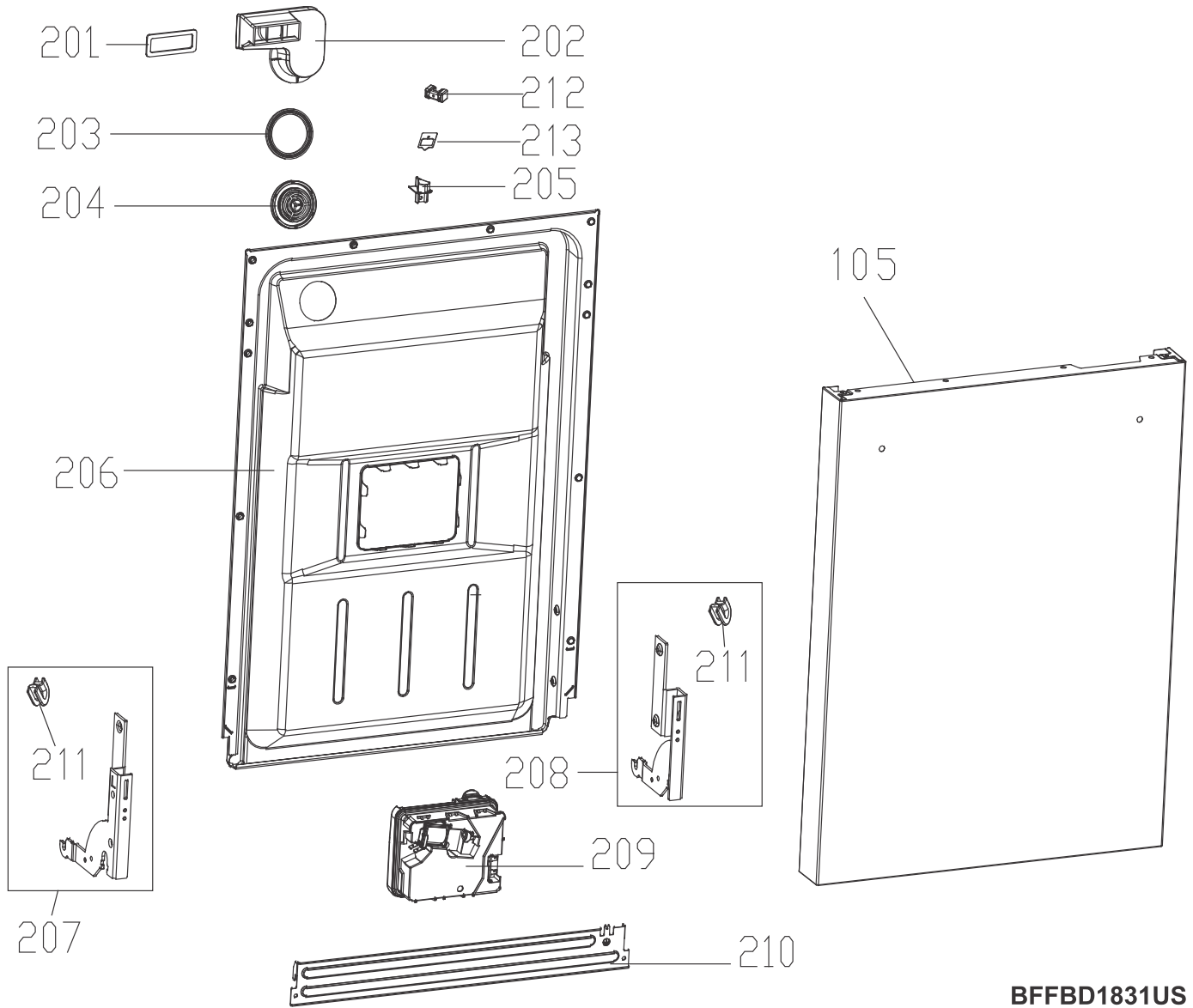
CFFBD1831US

CONTROL PANEL

Model Index: **A** FFBD1831U (FFBD1831UB)
 B FFBD1831U (FFBD1831US)
 C FFBD1831U (FFBD1831UW)

POS. NO	PART NO.		DESCRIPTION
101	5304519217	A - C	Cover, door handle
101	5304519288	- B -	Cover, door handle
102	5304519218	A B C	Cover, display board
103	5304519916	A - -	Control Panel, black
103	5304519917	- B -	Control Panel, stainless
103	5304519915	- - C	Control Panel, white
104	5304519919	A - -	Overlay, control panel, black
104	5304519920	- B -	Overlay, control panel, stainless
104	5304519918	- - C	Overlay, control panel, white
106#	5304519924	A B C	PC Board, display

DOOR



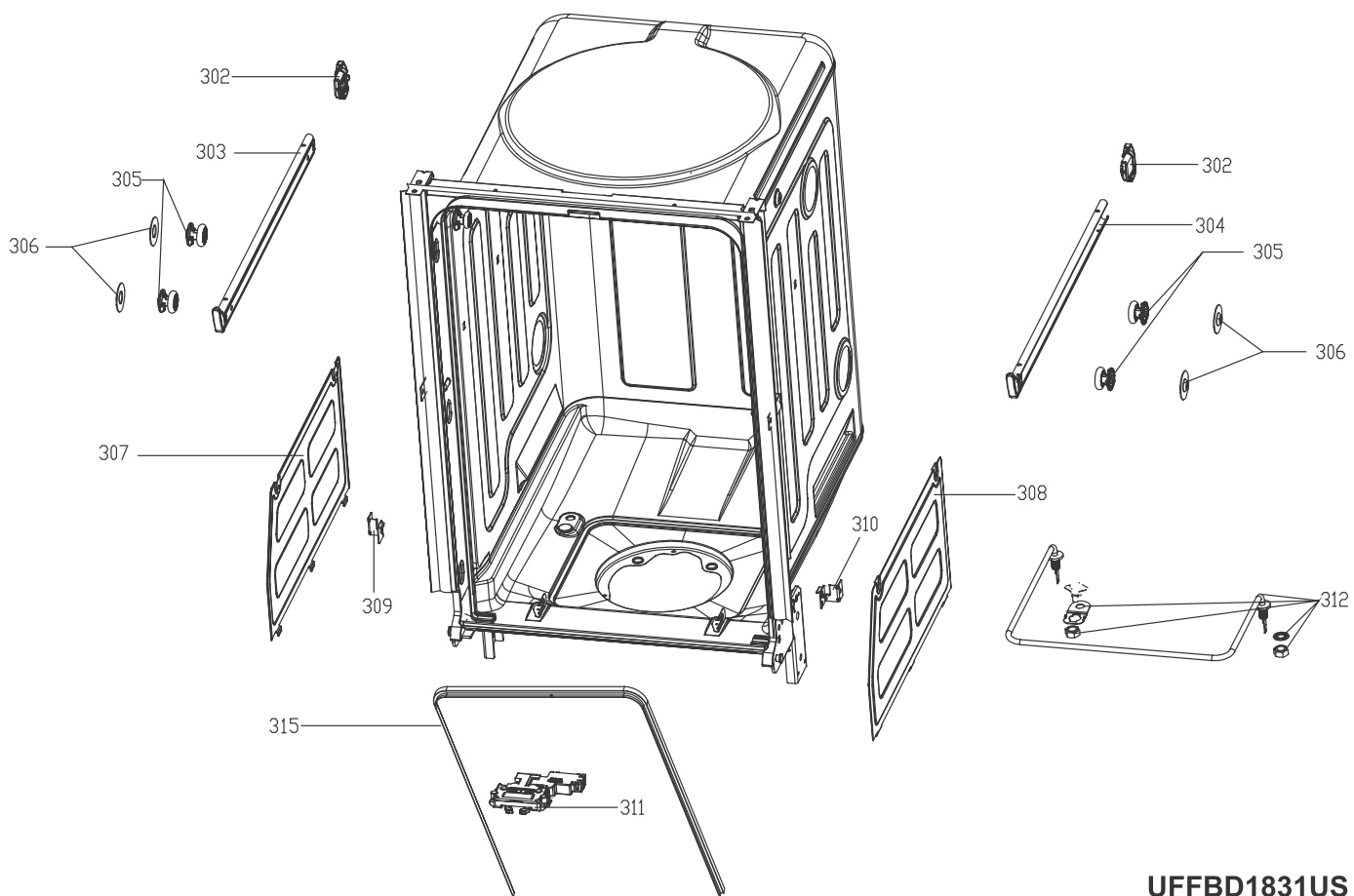
BFFBD1831US

DOOR

Model Index: **A** FFBD1831U (FFBD1831UB)
 B FFBD1831U (FFBD1831US)
 C FFBD1831U (FFBD1831UW)

POS. NO	PART NO.		DESCRIPTION
105	5304519922	A - -	Door, outer, black
105	5304519923	- B -	Door, outer, stainless
105	5304519921	- - C	Door, outer, white
201	5304519219	A B C	Gasket, air vent
202	5304519220	A B C	Vent, air, door top
203	5304519221	A B C	Seal, air vent, door liner
204	5304519222	A B C	Nut, air vent, door liner
205	5304519223	A B C	Hook, door lock
206	5304519224	A B C	Liner, door, inner
207	5304519980	A B C	Hinge Kit, LH, w/fric grommet
208	5304519981	A B C	Hinge Kit, RH, w/fric grommet
209#	5304519227	A B C	Dispenser, detergent
210	5304519228	A B C	Bracket, reinforcement, door hinge
211	5304519229	A B C	Grommet, hinge friction
212	5304519230	A B C	Block, door lock
213	5304519231	A B C	Seal, door lock

TUB



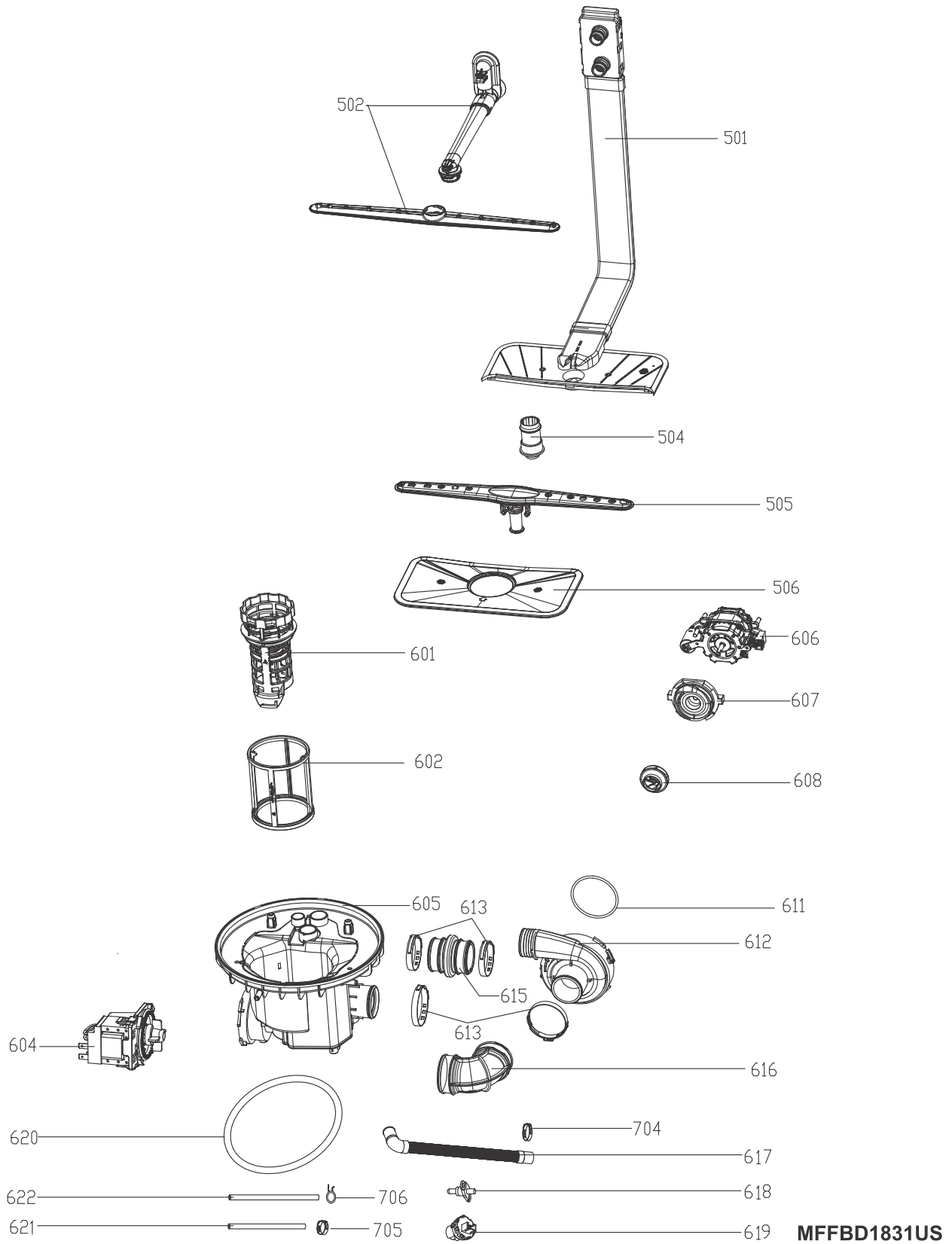
UFFBD1831US

TUB

Model Index: **A** FFBD1831U (FFBD1831UB)
 B FFBD1831U (FFBD1831US)
 C FFBD1831U (FFBD1831UW)

POS. NO	PART NO.		DESCRIPTION
302	5304519232	A B C	Cap, basket glide, rear
303	5304519233	A B C	Glide, upper rack, LH
304	5304519234	A B C	Glide, upper rack, RH
305	5304519235	A B C	Roller, tub, upper rack
306	5304519236	A B C	Holder, rack roller
307	5304519237	A B C	Panel, side, LH
308	5304519238	A B C	Panel, side, RH
309	5304519239	A B C	Bracket, LH
310	5304519240	A B C	Bracket, RH
311#	5304519241	A B C	Latch Assembly, door lock
312#	5304519242	A B C	Heater Assembly
315	5304519243	A B C	Gasket, tub

MOTOR & PUMP

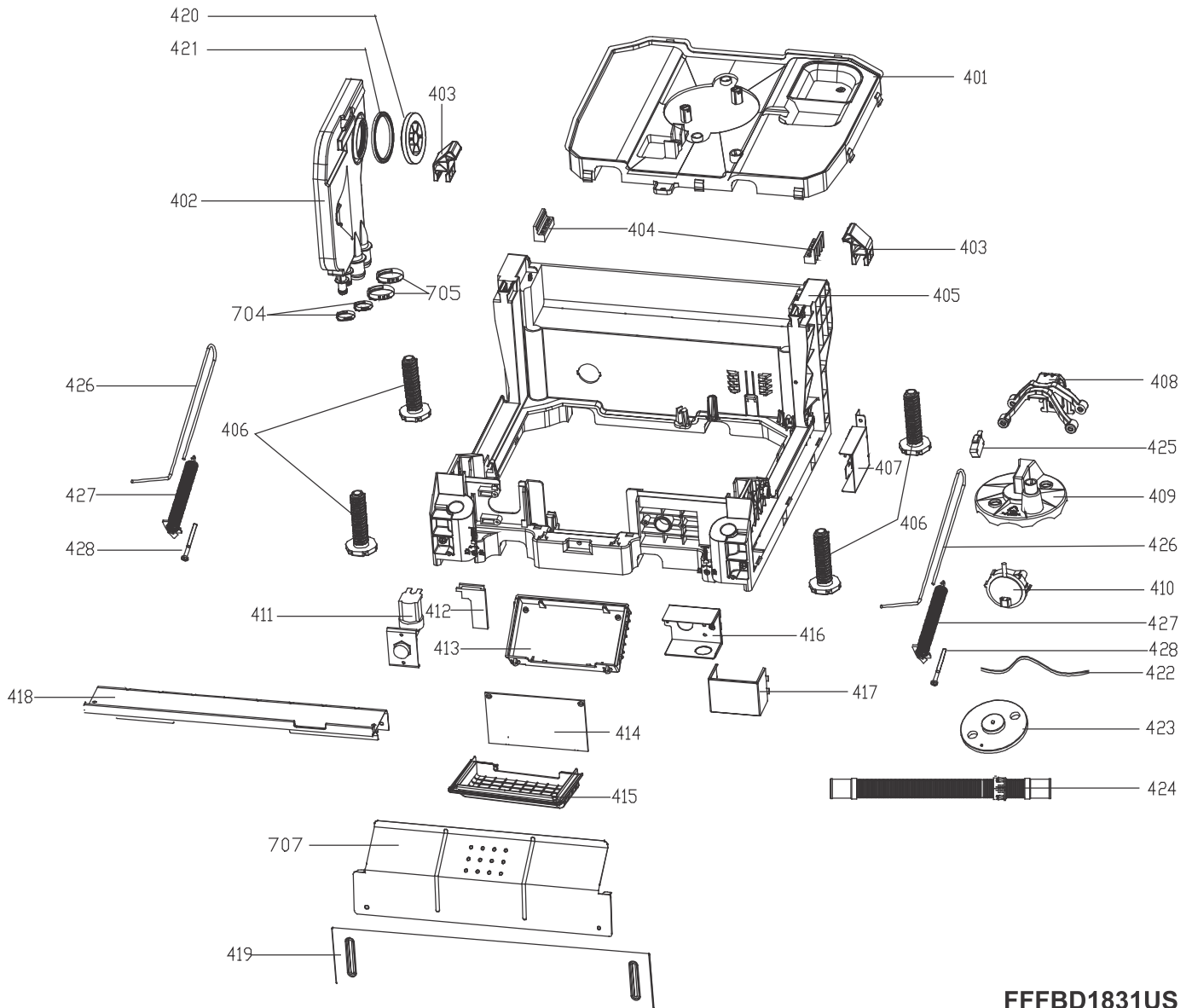


MOTOR & PUMP

Model Index: **A** FFBD1831U (FFBD1831UB)
 B FFBD1831U (FFBD1831US)
 C FFBD1831U (FFBD1831UW)

POS. NO	PART NO.		DESCRIPTION
501#	5304519264	A B C	Tube Assembly, distribution, inne
502#	5304519265	A B C	Spray arm, assembly, upper, w/manifold
504	5304519266	A B C	Support, spray arm, lower
505#	5304519267	A B C	Spray arm, assembly, lower
506	5304519268	A B C	Filter Assembly, flat, tub
601	5304519269	A B C	Handle, sump filter
602	5304519270	A B C	Filter Assembly, sump
604#	5304519271	A B C	Pump Assembly, water, synchronous
605#	5304519272	A B C	Sump, assembly
606#	5304519273	A B C	Pump Assembly, water, induction
607	5304519274	A B C	Casing, pump, lower
608#	5304519275	A B C	Impeller, pump
611	5304519276	A B C	O-ring, pump
612	5304519277	A B C	Casing, pump, upper
613	5304519278	A B C	Clamp, tube, wash group
615#	5304519280	A B C	Tube, connector, pump outlet
616#	5304519281	A B C	Tube, connector, pump inlet
617#	5304516639	A B C	Tube, drain, inner, air break-base
618#	5304483441	A B C	Thermistor
619#	5304519282	A B C	Thermostat
620	5304519283	A B C	Seal, sump
621#	5304519284	A B C	Tubing, inlet
622#	5304519305	A B C	Tubing, connector, air breath/sump
704	5304519926	A B C	Clamp, tube, in/outlet, valve to air br
705	5304519927	A B C	Clamp, tube, in/outlet, drain - air brk
706	5304482390	A B C	Clamp, hose, 14.9 x 1.8

FRAME



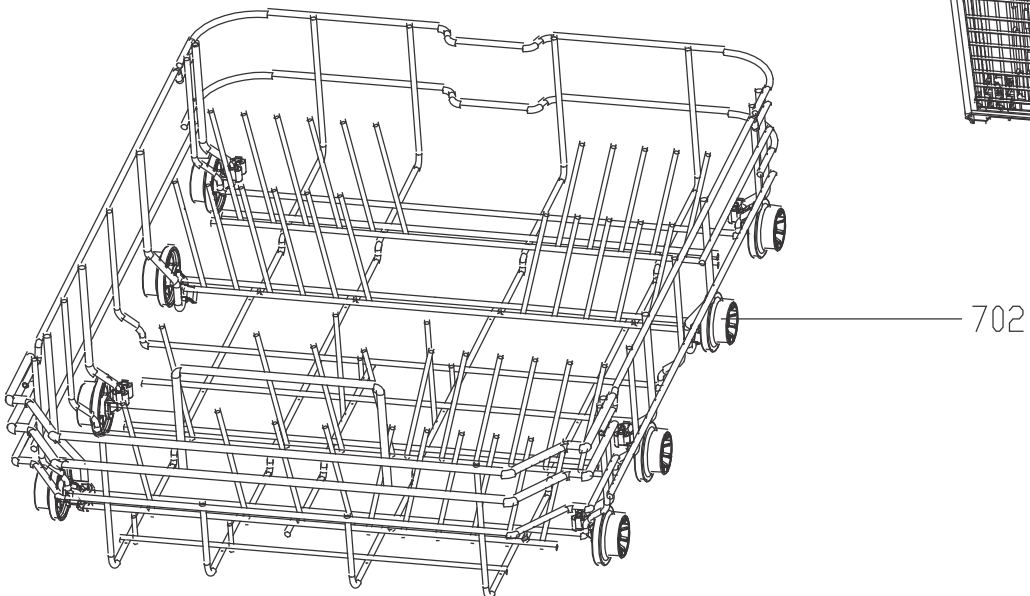
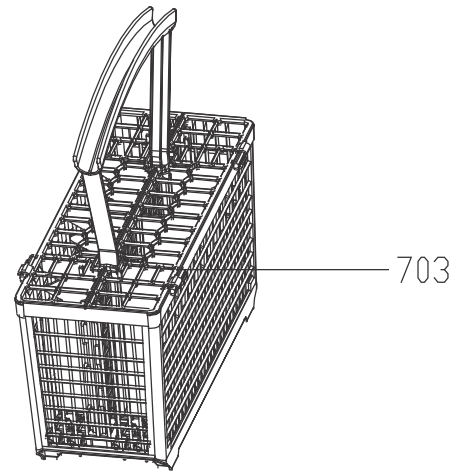
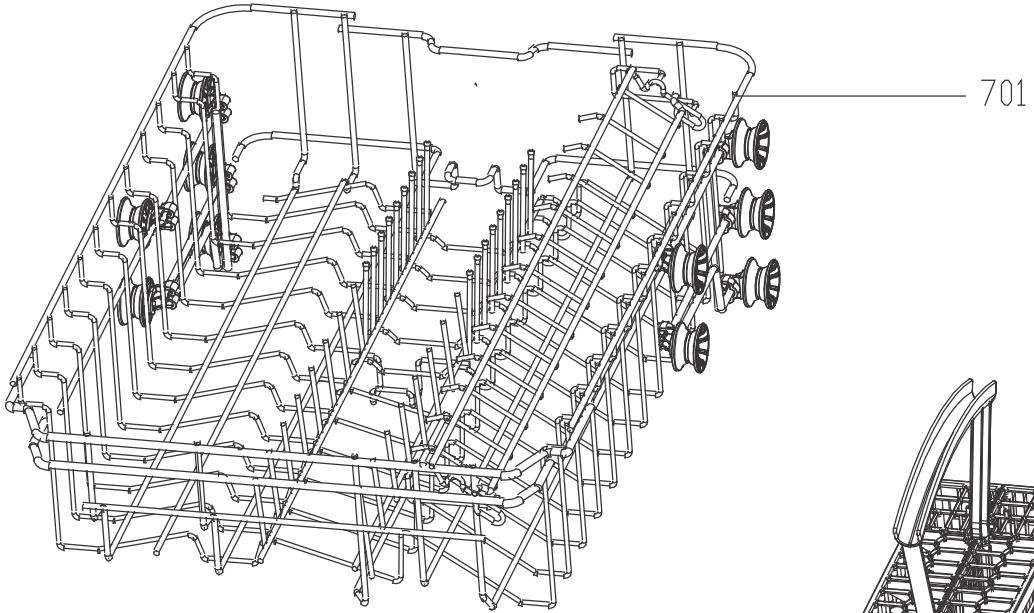
FFFBD1831US

FRAME

Model Index: **A** FFBD1831U (FFBD1831UB)
B FFBD1831U (FFBD1831US)
C FFBD1831U (FFBD1831UW)

POS. NO	PART NO.		DESCRIPTION
401	5304519244	A B C	Base, assembly
402	5304519245	A B C	Duct Assembly, Air Breather
403	5304516644	A B C	Block, tub connecting, (2)
404	5304519246	A B C	Support, tub
405	5304519247	A B C	Base Assembly, pan
406	5304519248	A B C	Foot, leveling
407	5304519249	A B C	Bracket, motor
408	5304519250	A B C	Support, assembly, pump
409	5304519251	A B C	Holder, assembly, float
410#	5304482397	A B C	Switch, pressure
411#	5304519252	A B C	Valve, water inlet
412	5304519253	A B C	Block, inlet valve
413	5304519254	A B C	Housing, main board
414#	5304519925	A B C	PC Board, main
415	5304519255	A B C	Cover, main board
416	5304516657	A B C	Box, Junction A
417	5304516664	A B C	Box, Junction B
418	5304519256	A B C	Shield, anti-noise
419	5304519257	A B C	Toe Plate, adjustable
420	5304519258	A B C	Nut, air breaker, tub
421	5304516636	A B C	Gasket, washer, (3)
422#	5304519259	A B C	Tubing
423	5304516654	A B C	Float
424	5304519260	A B C	Drain Hose, assembly
425#	5304516666	A B C	Switch, float
426	5304519261	A B C	Cable, door hinge
427	5304519262	A B C	Spring Assembly, door hinge
428	5304519263	A B C	Screw, adjustment, door spring
704	5304519926	A B C	Clamp, tube, in/outlet, valve to air br
705	5304519927	A B C	Clamp, tube, in/outlet, drain - air brk
707	5304519928	A B C	Kickplate

RACKS



RFFBD1831US

RACKS

Model Index: **A** FFBD1831U (FFBD1831UB)
 B FFBD1831U (FFBD1831US)
 C FFBD1831U (FFBD1831UW)

POS. NO	PART NO.		DESCRIPTION
701	5304519285	A B C	Rack Assembly, upper, w/rollers
702	5304519286	A B C	Rack Assembly, lower, w/rollers
703	5304519287	A B C	Basket Assembly, cutlery

