

**Miele**

# 36" Puristic Island Ventilation Hood

DA 6698 D



Shown: DA 6698 D over KM 6370  
Please note: This information is subject to change

 [mieleusa.com](https://mieleusa.com)  
Specification Sheets TRS 10082018

## 36" Puristic Island Ventilation Hood

SPECIFICATIONS	
Canopy Dimensions	35 <sup>3</sup> / <sub>8</sub> " (898mm) W x 3 <sup>3</sup> / <sub>8</sub> " (85mm) H x 23 <sup>9</sup> / <sub>16</sub> " (598mm) D
Unit Height - Vented	27 <sup>3</sup> / <sub>4</sub> " – 39 <sup>9</sup> / <sub>16</sub> " (705–1005mm) H
Unit Height - Recirculating	30 <sup>1</sup> / <sub>8</sub> " – 43 <sup>5</sup> / <sub>16</sub> " (765–1075mm) H
<b>Fan</b>	
Fan Speeds	4
Maximum CFM	625 CFM, (Reducing Collar is available to reduce Air flow to less than 400 CFM)
<b>Duct</b>	
Recommended Duct Diameter	6" (150 mm)
<b>Electrical</b>	
Electrical Requirements	120 V, 60 Hz, 15 Amps
Power Cord Requirements	The hood must be hard wired. Power cord will need to be a minimum 27 <sup>9</sup> / <sub>16</sub> " (700 mm) in length is required between the ceiling and the hood connectors. (Not supplied)
Electrical Rating	362 W (Blower: 350 W; Lighting: 4x3 W)
<b>Optional Accessories</b>	
Recirculating Kit	DUI 32
OdorFree Charcoal Filter	DKF 12-900
CFM Reducing Collar	R2000
<b>Shipping</b>	
Shipping Weight	74.8 lbs (34kg)
Shipping Dimensions	53 <sup>3</sup> / <sub>4</sub> " W x 32 <sup>7</sup> / <sub>16</sub> " H x 34 <sup>1</sup> / <sub>16</sub> " D
<b>Support</b>	
Call Miele	(800) 999-1360
Miele Website	<a href="http://www.mieleusa.com">www.mieleusa.com</a>
20/20 Link	<a href="http://2020technologies.com">2020technologies.com</a>



DA 6698 D  
Item 28669855USA



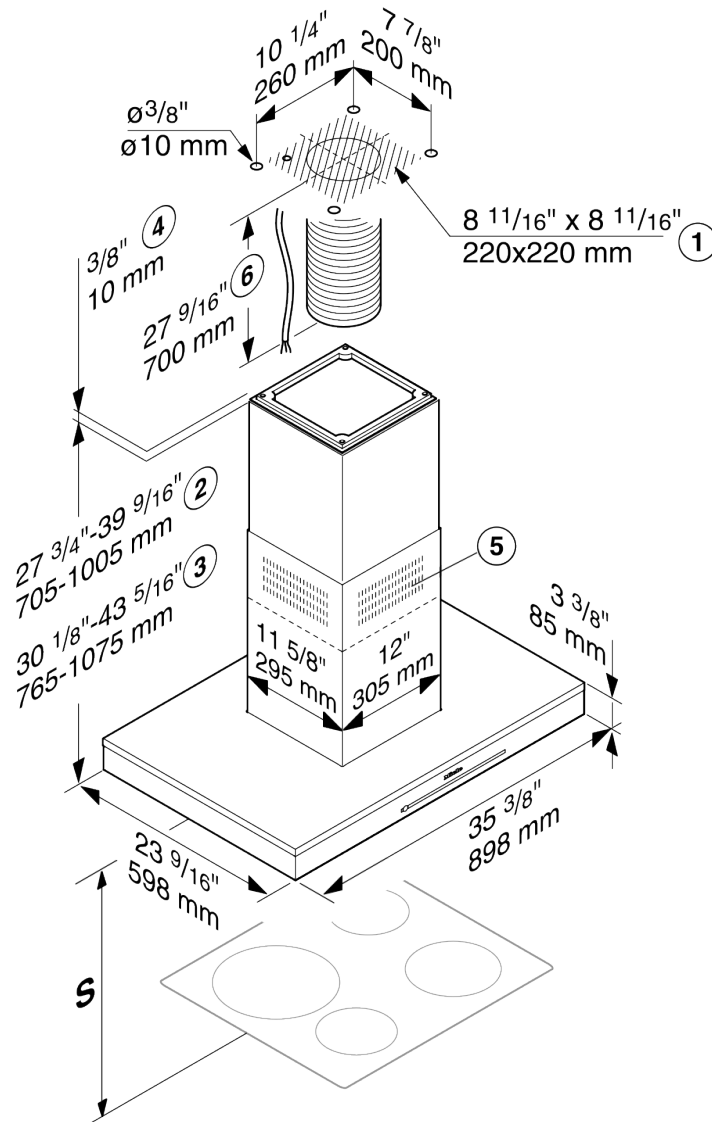
DA 6698 D BRWS  
Item 28669835USA



DA 6698 D OBSW  
Item 28669845USA

## 36" Puristic Island Ventilation Hood

### PRODUCT VIEW



- ① Mounting area for the exhaust ducting and power cable. In recirculation mode, only the power cord is required.
- ② Possible height range for appliance in vented mode
- ③ Possible height range for appliance in recirculation mode
- ④ Alternative installation with spacer frame
- ⑤ Air vent positioned at the top for recirculation
- ⑥ A power cord is required to connect the hood to the socket in the ceiling. With extraction mode flexible ducting is also required.

Exhaust connection  $\varnothing 6"$  (150 mm)

## 36" Puristic Island Ventilation Hood

### INSTALLATION SPECIFICATIONS

#### Distance Between Cooktop and Ventilation Hood (S)

Provided a larger distance is not given by the manufacturer of the cooktop, follow the minimum safety distances between a cooktop and the bottom of the hood.

Please also observe the information contained in the "IMPORTANT SAFETY INSTRUCTIONS" section.

Cooking appliance	Minimum distance S	
	Miele appliance	Non-Miele appliance
Electric Cooktops	24" (610 mm)	
Electric Barbeques and Fryers	26" (660 mm)	
Multiburner Gas Cooktops ≤ 43,000 BTU/hr (12.6 kW), no burner > 15,000 BTU/hr (4.5 kW).	26" (660 mm)	30" (760 mm)
Multiburner Gas Cooktops ≤ 73,800 BTU/hr (21.6 kW), no burner > 16,500 BTU/hr (4.8 kW)	30" (760 mm)	
Multiburner Gas Cooktops > 73,800 BTU/hr (21.6 kW), or one of the burners > 16,500 BTU/hr (4.8 kW)	Not possible	
Single Burner Gas Cooktops ≤ 20,500 BTU/hr (6 kW)	26" (660 mm)	30" (760 mm)
Single Burner Gas Cooktops > 20,500 BTU/hr (6 kW) ≤ 27,600 BTU/hr (8.1 kW)	30" (760 mm)	
Single Burner Gas Cooktops > 27,600 BTU/hr (8.1 kW)	Not possible	