

operating instructions
instrucciones de operación
instructions

L A  B O Y[®]

L A  B O Y[®]

la-z-boy.com

La-Z-Boy Incorporated
One La-Z-Boy Drive
Monroe, MI 48162

Congratulations!

You are now the proud owner of state-of-the-art Furniture by La-Z-Boy®.

You have just selected one of the finest quality upholstered products produced in the furniture industry, backed by over 90 years of quality manufacturing experience.

La-Z-Boy is proud of our designs and craftsmanship and knows you will feel the same as you enjoy your new furniture's comfort and style.

IMPORTANT

Read these instructions thoroughly before using your La-Z-Boy® furniture. Keep them for future reference.

Table of Contents

Important Safety Instructions.....	4-5
Reclining Chair Assembly Instructions	6-9
Rocking Loveseat Assembly Instructions.....	10-11
Reclining Tension Adjustment Instructions.....	12-13
3-Position Legrest Operating Instructions.....	14
Reclina-Glider® Swivel Recliner & Complements Swivel Glider Instructions.....	15
Furniture Placement Guide.....	16
Cup Holder Cleaning Instructions.....	17

Disclaimer: The information and products featured in this manual may be somewhat different from the product you purchased. La-Z-Boy reserves the right to make substitutions that are equal in quality and performance.

Important Safety Instructions

Important: Read these instructions thoroughly before using.

DANGER – To reduce the risk of serious injury or death:

- To prevent suffocation, keep plastic bags away from children.

WARNING – To reduce the risk of burns, fire or serious injury:

- Keep upholstery away from flames or lit cigarettes. Upholstery may burn rapidly, with toxic gas and thick smoke. Fires that begin elsewhere in a home may spread and involve upholstery. For your safety, always use a properly installed smoke detector with working batteries.
- Closely supervise children and disabled persons using this product.
- Sit down in the unit slowly. To avoid tip over, do not throw your weight against the back of the unit. Move the unit into or out of the reclining position slowly, making sure that no children or pets are in close proximity.
- This product has many moving parts, serious injury can occur if not used properly. Keep hands, fingers and body parts away from the mechanism. To reduce the risk of head entrapment and other injuries, keep children and pets away from the openings and moving parts in and around furniture.
- Only the occupant should operate the unit. Never attempt to open the legrest by pulling on it.
- Do not stand, sit, or place extra weight on the arms, back or open legrest.
- To safely exit the unit and prevent a tripping hazard, bring the back upright and close the legrest.
- Do not use this product if it is damaged. Do not use attachments or substitute parts.
- This product is intended for indoor residential use only.
- Provide a clear path for operation of the chair, back and legrest. Place tables and area rugs at a distance to allow the legrest to fully extend without rubbing or interference.
- This product is not intended for use as a health care device.
- Do not operate the unit until the back is installed and locked.
- Use care when moving the product. Before lifting the product, secure the mechanism to prevent unexpected opening or movement. Never move the product by the mechanism, legrest, handle, reclining back, or swivel base. Disconnect modular units. Securely grip non-moving parts only.
- This unit is equipped with a tension adjustment feature for the reclining mechanism that is preset at the factory. The tension setting can be changed for your personal preference. To avoid tip over and insure stability, do not operate the unit with the tension adjustment wing nuts completely loosened (See Reclining Tension Adjustment Instructions).
- Do not place containers with hot beverages in the cup holders. The furniture has motion and beverages may spill and injure the occupant. Do not place oversized or uncovered beverage containers in the cup holders.

Save These Instructions

Important Safety Instructions

Important: Read these instructions thoroughly before using.

WARNING – To reduce the risk of burns, fire or serious injury:

- Do not use La-Z-Boy® furniture in a recreational vehicle (or other moving vehicle) while the vehicle is in motion. This furniture is not intended to protect its occupant in an accident. Safely secure the furniture while the vehicle is in motion to prevent injury or damages from any sudden stop.
- If you give this product to someone else, include this Operating Instructions manual.

NOTICE: – To reduce the risk of product damage:

- Damage will occur to the mechanism if the legrest is forced closed from the 1st or 2nd position. The legrest must be extended to the 3rd position and then closed.
- Do not move the units while connected together. The purpose of the bracket system is to connect the units and prevent them from being separated while on the floor. The bracket system does not provide adequate structural support for the movement of connected units.
- Some units contain cup holders. Take care to prevent spilling of beverages, which could result in damage to cover.

Save These Instructions

Reclining Chair Assembly Instructions

The Assembly Instructions below are for chair backs having upholstery cover attached to all sides of the back frame. Refer to the instructions on the following pages if your chair back has loose upholstery cover with fastening tape.

WARNING – To reduce the risk of injury:

- Do not operate the unit until the back is installed and locked.

Install the chair back

1. Lay the back across the arms of the body. Lift the back at a slight angle and align the brackets on the back with the brackets on the body (FIGURE 1).
2. Lower the back onto the body, making sure the back and body brackets are completely engaged.
 - To make sure the back is properly installed with both sets of back and body brackets engaged, stand behind the chair and twist the back from side to side. If one or both sides move out of position the brackets are not engaged (FIGURE 2). Remove the back and repeat the steps above.
 - If you are unable to install the back properly contact your La-Z-Boy® dealer for assistance.
3. Lock the brackets by using a screwdriver to push down the locking levers (FIGURE 3).

Reclining Chair Assembly Instructions

FIGURE 1

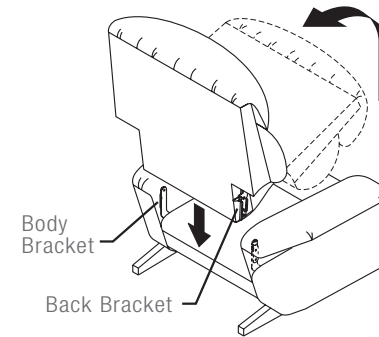
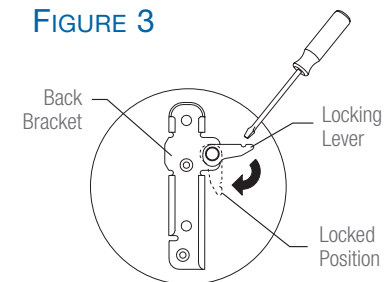


FIGURE 2



Back and body brackets on this side are not engaged. Remove the back and reinstall.

FIGURE 3



Reclining Chair Assembly Instructions

The Assembly Instructions below are for chair backs having a loose upholstery cover with fastening tape. Refer to the instructions on the previous pages if your chair back has upholstery cover attached to all sides of the back frame.

WARNING – To reduce the risk of injury:

- Do not operate the unit until the back is installed and locked.

Install the chair back

- Lay the back across the arms of the body. Lift the back at a slight angle and align the brackets on the back with the brackets on the body (FIGURE 1).
 - The back brackets may be located on the outside or inside of the back assembly.
- Lower the back onto the body, making sure the back and body brackets are completely engaged.
 - For chairs with back brackets on the outside of the back assembly, stand behind the unit and twist the back from side to side. If one or both sides move out of position the brackets are not engaged (FIGURE 2). Remove the back and repeat the steps above.
 - For chairs with back brackets on the inside of the back assembly, lift the back upholstery cover to visually confirm that both sets of back and body brackets are engaged (FIGURE 3).
 - If you are unable to install the back properly contact your La-Z-Boy® dealer for assistance.
- Lock the brackets by using a screwdriver to push down the locking levers (FIGURE 4).

CAUTION – To reduce the risk of minor injury:

- Once the back is installed, the outside back upholstery cover must be secured in place at all times.

- The outside back upholstery cover attaches to the body in different locations, depending on the style.
 - Pull the outside back upholstery cover down tight and press the fastening tape on the back upholstery cover to the fastening tape on the body (FIGURE 5).
 - Pull the outside back upholstery cover down tight and press the fastening tape on the back upholstery cover to the fastening tape on the lower seat frame. Tuck the sides in and loop the elastic strap behind the lower seat frame (FIGURE 6).

Reclining Chair Assembly Instructions

FIGURE 1

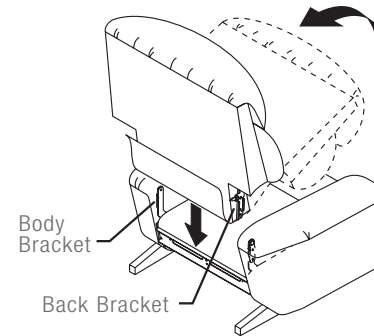


FIGURE 2



Back and body brackets on this side are not engaged. Remove the back and reinstall.

FIGURE 3



FIGURE 4

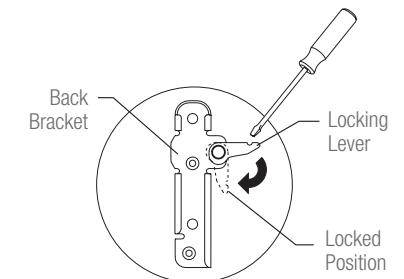


FIGURE 5



Fastening Tape

FIGURE 6



Elastic Strap Fastening Tape

Rocking Loveseat Assembly Instructions

WARNING – To reduce the risk of serious injury:

- Provide a clear path for operation of the back and legrest. Place tables and area rugs at a distance to allow the legrest to fully extend without rubbing or interference.

1. Place the furniture in the desired location; refer to Furniture Placement Guide.
2. Use a T-30 torx driver to loosen the threaded studs to approximately 1"; this measurement may vary depending on the fabric and style. The threaded studs are located on the left side (sitting) of right side (sitting) units.
3. Place the console (FIGURE 3) approximately 2" to the side of the left side (sitting) rocker recliner (FIGURE 1). Position the console (with the threaded studs) slightly behind the recliner. Separate the fronts of the units to be connected, about 6" apart. Pull the console forward until the threaded stud on the console engages in the rear bracket on the recliner.

WARNING – To reduce the risk of serious injury:

- The front of the unit must be raised to engage the front bracket. Please seek assistance if you are unable to lift at least 21 pounds.
- Keep feet clear of the unit when lowering into position.

4. Lift the front of the console approximately 3" off the ground, aligning it to the attachment bracket on the left side (sitting) rocker recliner. Gently lower the threaded stud into the front attachment bracket (FIGURE 4). Keep feet clear of the unit when lowering into position.

NOTE: Due to variations in upholstery and style, the threaded stud length may need to be adjusted to fit into the attachment brackets or control gaps between units. Loosen or tighten the threaded studs to provide adequate clearance.

5. Place the right side (sitting) rocker recliner (FIGURE 2) about 2" to the side of the console. Position the right side (sitting) rocker recliner (with the threaded studs) slightly behind the console. Separate the fronts of the units to be connected, about 6" apart. Pull the right side (sitting) recliner forward until the threaded stud on the recliner engages in the rear bracket on the console.

WARNING – To reduce the risk of serious injury:

- The front of the unit must be raised to engage the front bracket. Please seek assistance if you are unable to lift at least 21 pounds.
- Keep feet clear of the unit when lowering into position.

NOTICE: – To reduce the risk of product damage:

- Lift from the side frame. Do not lift from the upholstery or bottom of the legrest.

6. Lift the front of the right side (sitting) recliner approximately 3" off the ground, aligning it to the attachment bracket on the console. Gently lower the threaded stud into the front attachment bracket. Keep feet clear of the unit when lowering into position.
7. Adjust the glides on the console to level the unit, if necessary. Turn clockwise to lower and counterclockwise to raise.

Rocking Loveseat Assembly Instructions

NOTICE: – To reduce the risk of product damage:

- Do not move the units while connected together. The purpose of the bracket system is to connect the units and prevent them from being separated while on the floor. The bracket system does not provide adequate structural support for the movement of connected units.

8. The units must be disconnected before moving the loveseat. To disconnect the units, lift up the left front corner of the right side (sitting) recliner approximately 3" to clear the front attachment bracket on the console. Move the recliner to the side before returning it to the floor. Slide the right side (sitting) recliner backward to disengage the back bracket on the console. Repeat these steps to disconnect the console from the left side (sitting) recliner.

FIGURE 1
Left Side (Sitting) Rocker Recliner

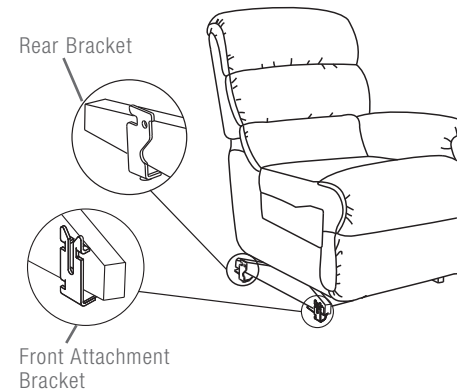


FIGURE 2
Right Side (Sitting) Rocker Recliner

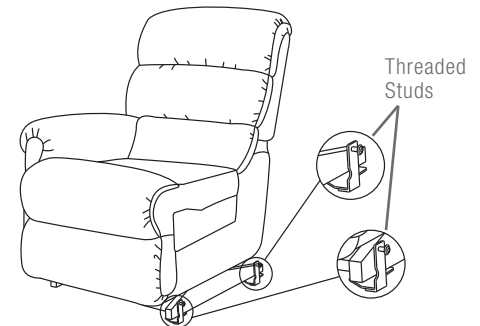


FIGURE 3
Console

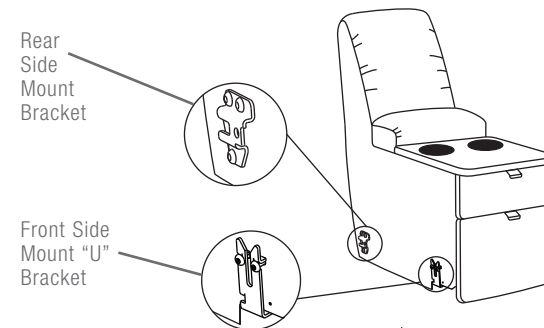
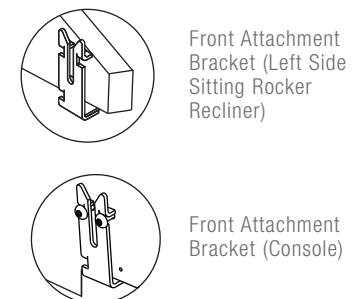


FIGURE 4



Reclining Tension Adjustment Instructions

WARNING – To reduce the risk of injury:

- This unit is equipped with a tension adjustment feature for the reclining mechanism that is preset at the factory. The tension setting can be changed for your personal preference. To avoid tip over and insure stability, do not operate the unit with the tension adjustment wing nuts completely loosened.

NOTICE: – To reduce the risk of product damage:

- Make sure the legrest is closed before tilting forward and adjusting the tension.
- Do not completely tighten the wing nuts. The tension springs should not be completely compressed after making adjustments. If this occurs, the wing nuts must be loosened a minimum of ½-turn to avoid damage to the spring tension assembly.
- Do not completely loosen the wing nuts. The spring should not slide on the bolt after making adjustments. If the spring slides on the bolt, tighten the wing nut clockwise a minimum of ½-turn after the spring no longer slides on the bolt.
- Adjust both wing nuts equally.

Adjustment Instructions

You can adjust the tension of the reclining mechanism to respond to your individual size.

1. Reclina-Rocker® Chair, Reclina-Glider® Chair and Reclina-Way® Chair

Gently tilt the reclining chair forward to rest on its arms and top of the back. Locate the wing nuts, one on each side, toward the back of the recliner under the seat (FIGURE 1).

NOTE: The Reclina-Glider® Swivel Recliner has a thumb wheel (not shown) instead of a wing nut.

La-Z-Boy Classics® Low Profile recliner & High Leg recliner with 3-position mechanism

Gently tilt the reclining chair forward to rest on its arms and top of the back. Locate the wing nuts, one on each side, toward the center of the recliner under the seat (FIGURE 2).

2. Adjust the tension by turning the wing nuts or thumb wheels in ¼-turn increments until the desired setting is reached.
 - A taller or heavier person may choose to increase the reclining tension by tightening the wing nuts or thumb wheels clockwise.
 - A smaller person may choose to decrease the reclining tension by loosening the wing nuts or thumb wheels counterclockwise.
3. Return the reclining chair to the upright position. Test the new setting. Make additional adjustments if needed following these steps.

Reclining Tension Adjustment Instructions

FIGURE 1

Reclina-Rocker®, Reclina-Glider® and Reclina-Way®

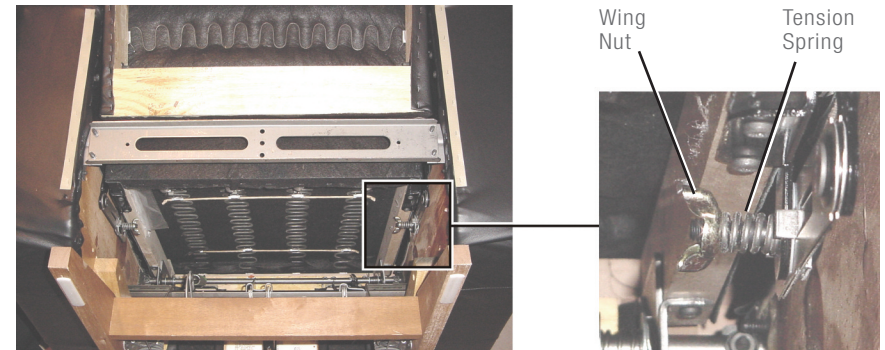
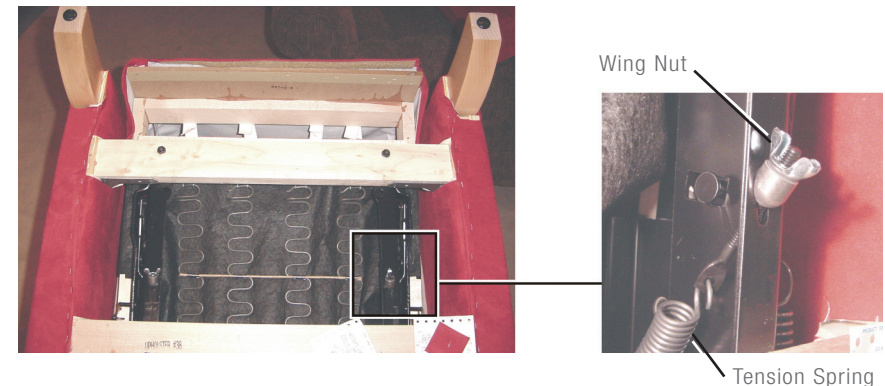


FIGURE 2

La-Z-Boy Classics®



3-Position Legrest Operating Instructions

WARNING – To reduce the risk of serious injury:

- Provide a clear path for operation of the back and legrest. Place tables and area rugs at a distance to allow the legrest to fully extend without rubbing or interference.
- To safely exit the unit and prevent a tripping hazard, bring the back upright and close the legrest.

NOTICE: – To reduce the risk of product damage:

- Damage will occur to the mechanism if the legrest is forced closed from the 1st or 2nd position. The legrest must be extended to the 3rd position and then closed.

To Operate the Legrest

1. Your La-Z-Boy® chair is equipped with a three-position locking legrest for customized seating comfort. Simply pull on the handle rotating it counterclockwise to control the legrest (FIGURE 1). You may stop in any one of three ideal positions. The 1st position is slightly inclined for relaxing reading (FIGURE 2). The 2nd position is slightly more inclined for comfortable television viewing (FIGURE 3). The 3rd position is fully extended for complete relaxation (FIGURE 4). To lower the legrest, rotate the handle counterclockwise to the fully extended position, then rotate clockwise to the fully closed position.
2. The chair back can be reclined with the legrest closed or extended. To recline, apply pressure to the back. Sit upright to return the back to an upright position.
3. Bring the back upright and close the legrest before getting out of the unit.

Feature of the Reclina-Rocker®

The chair body can be tilted back when the legrest is in use. Shifting your body weight rearward will cause the chair body to tilt backward offering a number of different positions.

FIGURE 1

Closed Position



FIGURE 2

1st Position



FIGURE 3

2nd Position



FIGURE 4

3rd Position



Reclina-Glider® Swivel Recliner & Complements Swivel Glider Instructions

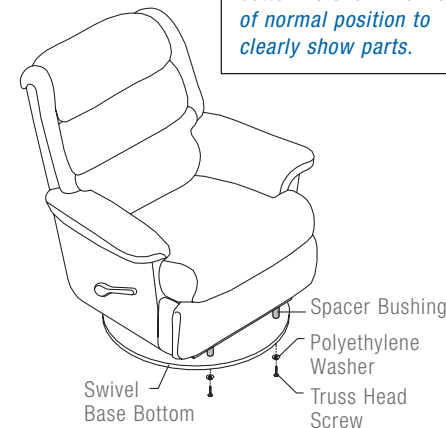
To Activate the Swivel Feature

1. Turn the unit on its back.
2. Locate the two spacer bushings, two truss head screws and swivel base bottom (FIGURE 1).
3. Remove the two truss head screws using a T-30 torx driver while holding the swivel base bottom steady.
NOTE: The two polyethylene washers are attached with adhesive and do not need to be removed.
4. Remove the two spacer bushings from between the swivel base bottom and glide base subassembly (FIGURE 2).
5. Return the chair to the upright position.
6. Store parts for future use to deactivate the swivel feature.

To Deactivate the Swivel Feature

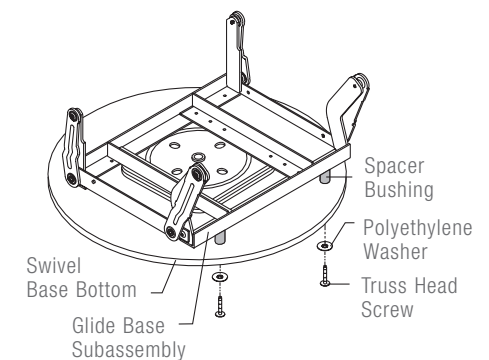
1. Turn the unit on its back.
2. Rotate the Swivel Base Bottom until the holes on the Swivel Base Bottom line up with the holes on the Glide Base Subassembly (FIGURE 2).
3. Hold the swivel base bottom steady. Place the spacer bushings between the holes in the Swivel Base Bottom and the Glide Base Subassembly. Insert the truss head screws through the holes in the Swivel Base Bottom, through the spacer bushings and into the holes in the Glide Base Subassembly. Fasten each screw using the T-30 torx driver.
4. Return the chair to the upright position.

FIGURE 1



NOTE: Swivel base bottom is shown forward of normal position to clearly show parts.

FIGURE 2



Furniture Placement Guide



WARNING

– To reduce the risk of serious injury:

- Provide a clear path for operation of the back and legrest. Place tables and area rugs at a distance to allow the legrest to fully extend without rubbing or interference.

Reclining Units

To place your reclining unit the proper distance from the wall, fully recline the unit and leave a minimum of 2" of space between the top of the back and the wall (FIGURE 1).

Place tables and area rugs at a distance to allow the legrest to fully extend without rubbing or interference. Interference with the legrest may cause it to not close completely (FIGURE 2). If the legrest is not closed completely, it may pop out unexpectedly and could cause injury. Proper clearance for an area rug is demonstrated in FIGURE 3.

Make sure tables and other items are at a safe distance to avoid interference with the operation of the legrest. Improper placement of a table could cause the occupant to become trapped in the unit; this is demonstrated in FIGURE 4. There must be enough clearance for the legrest to be fully extended before closing.

FIGURE 1



FIGURE 2



FIGURE 3

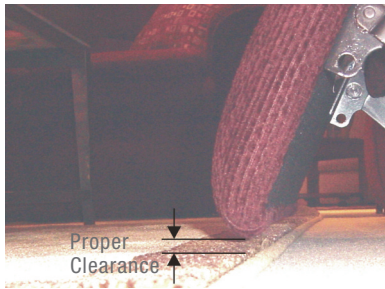


FIGURE 4



Cup Holder Cleaning Instructions

Care and Cleaning Instructions for the Cup Holder

The finish on the cup holder can be damaged during use or cleaning. It is recommended that a coaster be used to reduce the chance for damage, and that the cleaning instructions be followed.

Use water and mild soap, such as dish soap, to clean the cup holders. Dry immediately and thoroughly with a soft clean cloth to maintain the finish.

The use of harsh, abrasive cleaners is not recommended and must be avoided.

¡Felicitaciones!

Usted es ahora el feliz propietario de un mobiliario La-Z-Boy® de vanguardia.

Usted ha seleccionado uno de los productos tapizados de mayor calidad que se producen en la industria de mobiliarios, respaldado por nuestra experiencia de más de 90 años en fabricación de alta calidad.

En La-Z-Boy nos sentimos orgullosos de nuestros diseños y artesanía y sabemos que usted gozará del confort y estilo de su nuevo mueble.

IMPORTANTE

Lea atentamente estas instrucciones antes de utilizar su mobiliario La-Z-Boy®. Guárdelas para futura referencia.

Tabla de contenidos

Instrucciones importantes de seguridad.....	20-21
Instrucciones de armado del sillón reclinable.....	22-25
Instrucciones de armado del sillón de dos plazas reclinable.....	26-27
Instrucciones de ajuste de la tensión de reclinado...	28-29
Instrucciones de operación del apoyapiernas de tres posiciones.....	30
Instrucciones de la base giratoria, los complementos y el sillón Reclina-Glider®.....	31
Guía para colocación de muebles.....	32
Instrucciones de limpieza del portavasos.....	33

Exención de responsabilidad: la información y los productos que se presentan en este manual pueden tener algunas diferencias con el producto que compró. La-Z-Boy se reserva el derecho a realizar reemplazos que sean de igual calidad y desempeño.

Instrucciones importantes de seguridad

Importante: lea estas instrucciones con atención antes de usar el producto.

PELIGRO – Para reducir el riesgo de lesiones graves o muerte:

- Mantenga bolsas de plástico alejadas de los niños para que éstos no se asfixien.

ADVERTENCIA – Para reducir el riesgo de sufrir quemaduras, incendio o lesiones graves:

- Mantenga el tapizado lejos de las llamas o de cigarrillos encendidos. El tapizado puede quemarse rápidamente y expulsar gases tóxicos y humo denso. Los incendios que comienzan en cualquier otra parte del hogar se pueden extender y afectar el tapizado. Por seguridad, utilice siempre un detector de humo bien instalado con baterías que funcionen correctamente.
- Vigile estrechamente a los niños y personas discapacitadas cuando utilizan este producto.
- Siéntese lentamente en la unidad. Para evitar que se vuelque, no se arroje contra el respaldo. Recline o enderece la unidad lentamente después de asegurarse que no hayan niños o mascotas en las cercanías.
- Este producto tiene muchas piezas que se mueven y, por lo tanto, pueden ocurrir lesiones graves si no se utiliza correctamente. Mantenga las manos, los dedos y otras partes del cuerpo alejadas del mecanismo. Para reducir la posibilidad de que la cabeza quede atrapada como también otras lesiones, no permita que niños y mascotas se acerquen a las aberturas y piezas móviles del mueble.
- Sólo el ocupante debe operar la unidad. Nunca trate de abrir el apoyapiernas jalándolo.
- No se pare, no se siente ni coloque peso adicional sobre los apoyabrazos, el respaldo o el apoyapiernas abierto.
- Para levantarse de la unidad y no tropezar, regrese el respaldo a su posición vertical y pliegue el apoyapiernas.
- Si el producto está dañado, no lo use. No utilice accesorios ni componentes sustitutos.
- Este producto es solamente para uso en espacios interiores residenciales.
- Asegúrese que el sillón, respaldo y apoyapiernas tengan suficiente espacio para su operación. Coloque tapetes y mesas de forma que el apoyapiernas pueda extenderse sin que haga contacto con los mismos.
- No se debe usar este producto como un dispositivo para cuidado de la salud.
- No opere la unidad antes de haber instalado y asegurado el respaldo.
- Tenga cuidado al mover este producto. Antes de alzarlo, asegure el mecanismo para evitar que se abra o mueva inesperadamente. Nunca lo mueva mediante el mecanismo, el apoyapiernas, la manija, el respaldo reclinable o base giratoria. Desconecte las unidades modulares. Agarre la unidad solamente por las partes que no se mueven.
- Esta unidad está equipada con una característica para ajuste de tensión del mecanismo de reclinado que fue ajustado en la fábrica. Usted puede modificar la tensión a su gusto personal. Para evitar que se vuelque y para asegurar la estabilidad, no opere la unidad con las tuercas de mariposa de ajuste flojas completamente (vea las instrucciones para el ajuste de la tensión de reclinado).
- No coloque contenedores con bebidas calientes en los portavasos. El mueble tiene movimiento y las bebidas podrían derramarse y lesionar al ocupante. No coloque contenedores de bebidas de tamaño demasiado grande o sin tapar en los portavasos.

Instrucciones importantes de seguridad

Importante: lea estas instrucciones con atención antes de usar el producto.

ADVERTENCIA – Para reducir el riesgo de sufrir quemaduras, incendio o lesiones graves:

- No utilice mobiliario La-Z-Boy® en un vehículo de uso recreativo (o cualquier otro vehículo) cuando éste se encuentre en movimiento. Este mobiliario no ha sido diseñado para proteger a su usuario en caso de un accidente. Procure sujetar y fijar de manera segura el mobiliario mientras el vehículo está en movimiento, para prevenir lesiones o daños que se puedan producir al frenar repentinamente.
- Si le da este producto a otra persona, déle también este manual de instrucciones de operación.

AVISO – Para reducir el riesgo de daños al producto:

- El mecanismo se dañará si se fuerza el apoyapiernas para plegarlo desde la primera o segunda posición. Se debe extender el apoyapiernas a la tercera posición y entonces se puede plegarlo.
- No mueva las unidades mientras están conectadas entre sí. El objetivo del sistema de soportes es conectar las unidades y evitar que se separen mientras están en el suelo. El sistema de soportes no brinda un soporte estructural adecuado para el movimiento de las unidades conectadas.
- Algunas unidades contienen portavasos. Tenga cuidado de evitar derrames de las bebidas, lo cual puede ocasionar daño en la cubierta.

Instrucciones de armado del sillón reclinable

Las siguientes Instrucciones de armado son para los respaldos de sillón que tienen una funda del tapizado unida a todos los laterales del bastidor posterior. *Si el respaldo de su sillón tiene una funda del tapizado suelta con cinta de sujeción, remítase a las instrucciones de las páginas siguientes.*

ADVERTENCIA – Para reducir el riesgo de lesiones:

- No opere la unidad antes de haber instalado y asegurado el respaldo.

Instalación del respaldo

1. Coloque el respaldo entre los brazos de la estructura. Levante el respaldo en un ángulo leve y alinee los soportes en el respaldo con los soportes en la estructura (FIGURA 1).
2. Ponga el respaldo sobre la estructura asegurándose de que los soportes del respaldo y la estructura estén completamente acoplados.
 - Para asegurarse de que el respaldo esté instalado en forma correcta con ambos conjuntos de soportes acoplados, colóquese de pie detrás del sillón y gire el respaldo de lado a lado. Si uno o ambos lados se salen de la posición, los soportes no están acoplados (FIGURA 2). Retire el respaldo y repita los pasos anteriores.
 - Si no puede instalar el respaldo correctamente, comuníquese con su distribuidor de La-Z-Boy® para solicitar asistencia.
3. Con un destornillador, empuje hacia abajo las palancas de seguro para bloquear los soportes (FIGURA 3).

Instrucciones de armado del sillón reclinable

FIGURA 1

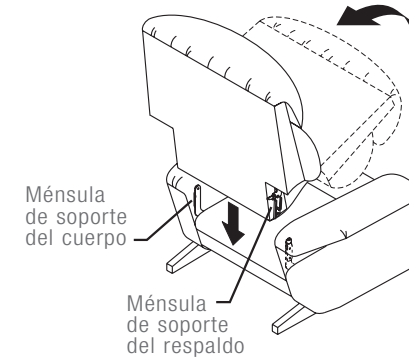
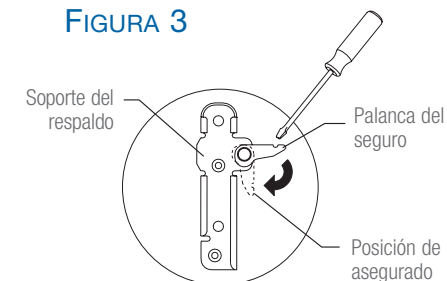


FIGURA 2



Los soportes del respaldo y de la estructura de este lado no están acoplados. Retire el respaldo y vuelva a instalarlo.

FIGURA 3



Instrucciones de armado del sillón reclinable

Las siguientes instrucciones de armado son para respaldos de sillones que tienen una funda de tapizado suelta con cinta de sujeción. Consulte las instrucciones en las páginas anteriores si el respaldo de su sillón tiene la funda del tapizado unida a ambos laterales del marco posterior.

ADVERTENCIA – Para reducir el riesgo de lesiones:

- No opere la unidad antes de haber instalado y asegurado el respaldo.

Instalación del respaldo

1. Coloque el respaldo entre los brazos de la estructura. Levante el respaldo en un ángulo leve y alinee los soportes en el respaldo con los soportes en la estructura (FIGURA 1).
 - Los soportes del respaldo pueden estar ubicados en la parte exterior o interior del conjunto del respaldo.
2. Ponga el respaldo sobre la estructura asegurándose de que los soportes del respaldo y la estructura estén completamente acoplados.
 - Para los sillones con soportes de respaldo en la parte exterior del conjunto del respaldo, colóquese de pie detrás de la unidad y gire el respaldo de lado a lado. Si uno o ambos lados se salen de posición, los soportes no están acoplados (FIGURA 2). Retire el respaldo y repita los pasos anteriores.
 - Para los sillones con soportes de respaldo en la parte interior del conjunto del respaldo, levante la funda de tapizado del respaldo para confirmar visualmente que ambos conjuntos de soporte están acoplados (FIGURA 3).
 - Si no puede instalar el respaldo correctamente, comuníquese con su distribuidor de La-Z-Boy® para solicitar asistencia.
3. Con un destornillador, empuje hacia abajo las palancas de seguro para bloquear los soportes (FIGURA 4).

ATENCIÓN – Para reducir el riesgo de sufrir heridas menores:

- Una vez instalado el respaldo, la funda exterior de tapizado del respaldo debe estar asegurada en su lugar en todo momento.

4. La funda de tapizado externa del respaldo se une a la estructura en diferentes lugares, según el estilo.
 - Tire hacia abajo la funda de tapizado externa del respaldo y presione la cinta de sujeción en la funda de tapizado del respaldo contra la cinta de sujeción en la estructura (FIGURA 5).
 - Tire hacia abajo la funda de tapizado externa del respaldo y presione la cinta de sujeción en la funda de tapizado del respaldo contra la cinta de sujeción en la estructura inferior del sillón. Coloque los bordes hacia adentro y enlace la correa elástica detrás del marco inferior del asiento (FIGURA 6).

Instrucciones de armado del sillón reclinable

FIGURA 1

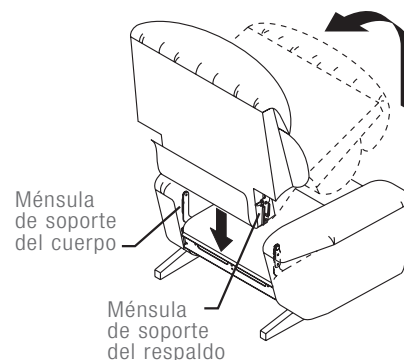


FIGURA 2



El respaldo y los soportes de la estructura no están acoplados. Retire el respaldo y vuelva a instalarlo.

FIGURA 3



FIGURA 4

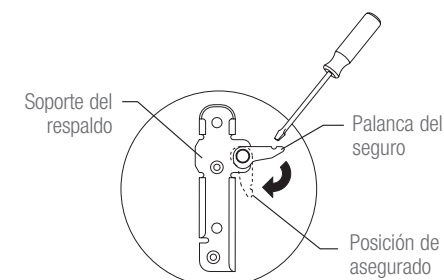
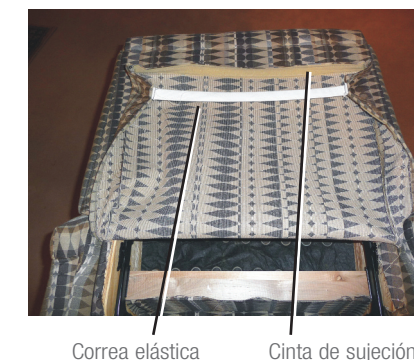


FIGURA 5



FIGURA 6



Instrucciones de armado de sillón de dos piezas reclinable

ADVERTENCIA – Para reducir el riesgo de lesiones graves:

- Asegúrese que el sillón, respaldo y apoyapiernas tengan suficiente espacio para su operación. Coloque tapetes y mesas de forma que el apoyapiernas pueda extenderse sin que haga contacto con los mismos.

1. Coloque los muebles en la ubicación deseada; consulte la Guía para colocación de muebles.
2. Con un destornillador Torx T-30 afloje el pasador roscado hasta aproximadamente 1"; esta medida puede variar según la tela y el estilo. Los pasadores roscados están ubicados del lado izquierdo (área para sentarse) de las unidades laterales derechas (área para sentarse).
3. Coloque la consola (FIGURA 3) aproximadamente a 2" al costado del sillón mecedor y reclinable izquierdo (área para sentarse) (FIGURA 1). Sitúe la consola (con los pasadores roscados) levemente detrás del sillón reclinable. Separe los frentes de las unidades que se conectarán, a aproximadamente 6" de distancia. Mueva la consola hacia adelante hasta que el pasador roscado de la consola se encaje en la ménsula de soporte posterior del sillón mecedor y reclinable.

ADVERTENCIA – Para reducir el riesgo de lesiones graves:

- El frente de la unidad debe elevarse para conectar el soporte delantero. Pida ayuda si no le es posible levantar 21 libras.
- Mantenga los pies alejados de la unidad al bajarla hacia su posición.

4. Levante el frente de la consola aproximadamente 3" del suelo, alinéandola con el soporte de ajuste del sillón mecedor y reclinable izquierdo (área para sentarse). Baje suavemente el pasador roscado en el soporte de ajuste delantero (FIGURA 4). Mantenga los pies alejados de la unidad al bajarla hacia su posición.

NOTA: Debido a variaciones del tapizado y del estilo, el pasador roscado puede necesitar ajustarse para poder fijarse en los soportes de ajuste o en las grietas de control entre las unidades. Afloje o apriete los pasadores roscados para permitir la distancia adecuada.

5. Coloque el sillón mecedor y reclinable derecho (área para sentarse) (FIGURA 2) aproximadamente a 2" al costado de la consola. Coloque el sillón mecedor y reclinable derecho (área para sentarse) (con los pasadores roscados) levemente detrás de la consola. Separe los frentes de las unidades que se conectarán, a aproximadamente 6" de distancia. Mueva el sillón mecedor y reclinable (área para sentarse) hacia adelante hasta que los pasadores roscados del sillón se encajen en la consola.

ADVERTENCIA – Para reducir el riesgo de lesiones graves:

- El frente de la unidad debe elevarse para conectar el soporte delantero. Pida ayuda si no le es posible levantar 21 libras.
- Mantenga los pies alejados de la unidad al bajarla hacia su posición.

AVISO – Para reducir el riesgo de daños al producto:

- Eleve desde el bastidor lateral. No eleve del tapizado ni de la parte inferior del apoyapiernas.

6. Levante la parte delantera del sillón mecedor y reclinable derecho (área para sentarse) aproximadamente a 3" del suelo, alinéandolo con el soporte de ajuste en la consola. Baje suavemente el pasador roscado hacia el frente del soporte de ajuste. Mantenga los pies alejados de la unidad al bajarla hacia su posición.
7. Si fuera necesario, ajuste los dispositivos de deslizamiento en la consola para nivelar la unidad. Gire en sentido de las agujas del reloj para bajar y en sentido contrario de las agujas del reloj para elevar.

Instrucciones de armado de sillón de dos piezas reclinable

AVISO – Para reducir el riesgo de daños al producto:

- No mueva las unidades mientras están conectadas entre sí. El objetivo del sistema de soportes es conectar las unidades y evitar que se separen mientras están en el suelo. El sistema de soportes no brinda un soporte estructural adecuado para el movimiento de las unidades conectadas. El sistema de soportes no brinda un soporte estructural adecuado para el movimiento de las unidades conectadas.

8. Las unidades deben desconectarse antes de mover el sillón de dos cuerpos. Para desconectar las unidades, levante la esquina delantera izquierda del sillón mecedor y reclinable derecho (área para sentarse) aproximadamente 3" para liberar el soporte de ajuste delantero de la consola. Mueva el sillón mecedor y reclinable al costado antes de volver a colocarlo sobre el suelo. Deslice el sillón mecedor y reclinable derecho (área para sentarse) hacia atrás para destrabar el soporte posterior de la consola. Repita estos pasos para desconectar la consola del sillón mecedor y reclinable izquierdo (área para sentarse).

FIGURA 1
Sillón (asiento) del lado izquierdo

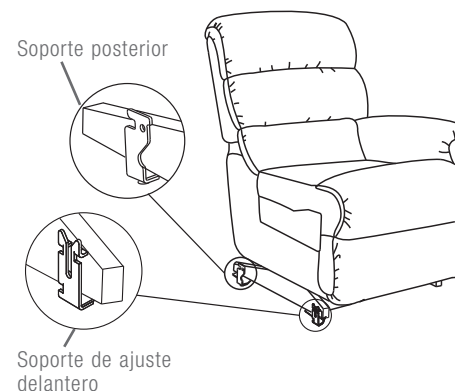


FIGURA 2
Sillón (asiento) del lado derecho

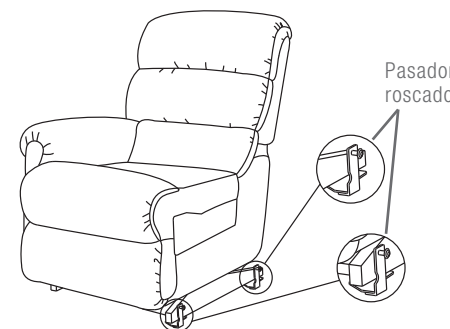


FIGURA 3
Console

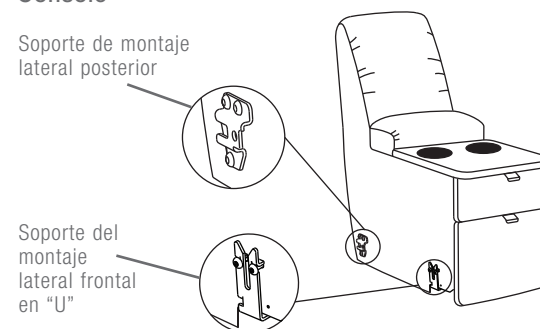


FIGURA 4



Instrucciones para ajustar la tensión de reclinado

⚠️ ADVERTENCIA – Para reducir el riesgo de lesiones:

- Esta unidad está equipada con una característica para ajuste de tensión del mecanismo de reclinado que fue ajustado en la fábrica. Usted puede modificar la tensión a su gusto personal. Para evitar que se vuelque y para asegurar la estabilidad, no opere la unidad con las tuercas de mariposa de ajuste flojas completamente.

AVISO – Para reducir el riesgo de daños al producto:

- Asegúrese de que el apoyapiernas de cada unidad esté cerrado antes de inclinarlas hacia adelante para ajustar la tensión.
- No apriete completamente las tuercas mariposa. Los resortes de tensión no deben comprimirse completamente después de realizar ajustes. Si esto ocurriera, las tuercas mariposa deben aflojarse un mínimo de ½ vuelta para evitar que se dañe el mecanismo de tensión a resorte.
- No afloje completamente las tuercas mariposa. El resorte no debe deslizarse sobre el perno después de hacer los ajustes. Si esto ocurriera, apriete la tuerca mariposa girándola en sentido horario un mínimo de ½ vuelta una vez que el resorte ya no se deslice sobre el perno.
- Ajuste ambas tuercas mariposa por igual.

Instrucciones de ajuste

Puede ajustar la tensión del mecanismo de reclinado especialmente para su cuerpo.

1. Sillones Reclina-Rocker®, Reclina-Glider® y Reclina-Way®

Incline suavemente el sillón reclinable hacia delante para que se apoye sobre los brazos y la parte superior del respaldo. Localice las tuercas de mariposa, una de cada lado, que se encuentran hacia la parte posterior del respaldo, debajo del asiento (FIGURA 1).

NOTA: el sillón reclinable de base giratoria Reclina-Glider® tiene una ruedecilla (no se muestra) en lugar de una tuerca de mariposa.

Sillón reclinable La-Z-Boy Classics® Low Profile y el sillón reclinable High Leg con mecanismo de tres posiciones

Incline suavemente el sillón reclinable hacia delante para que se apoye sobre los brazos y la parte superior del respaldo. Localice las tuercas de mariposa, una de cada lado, que se encuentran hacia el centro del respaldo debajo del asiento (FIGURA 2).

2. Ajuste la tensión girando las tuercas de mariposa o ruedecillas en incrementos de ¼ de vuelta hasta alcanzar el ajuste deseado.

- Una persona de talla más alta o de mayor peso puede aumentar la tensión de reclinado girando las tuercas de mariposa o las ruedecillas en sentido horario.
- Una persona de talla menor puede reducir la tensión de reclinado girando las tuercas de mariposa o las ruedecillas en sentido antihorario.

3. Regrese el sillón reclinable a la posición recta. Pruebe la nueva configuración. Haga ajustes adicionales, si son necesarios, siguiendo estos pasos.

Instrucciones para ajustar la tensión de reclinado

FIGURA 1

Reclina-Rocker®, Reclina-Glider® y Reclina-Way®

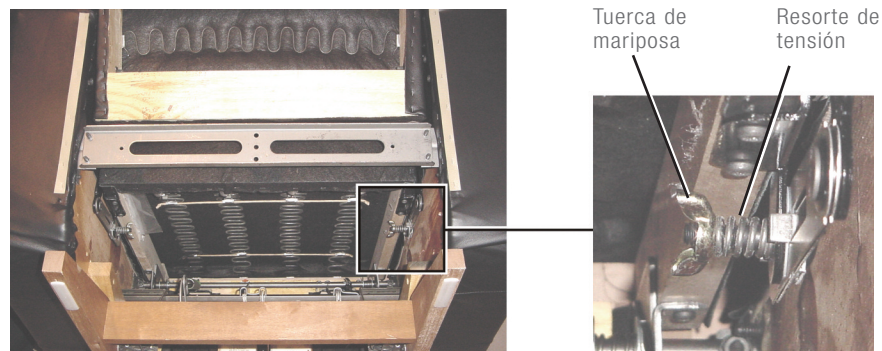
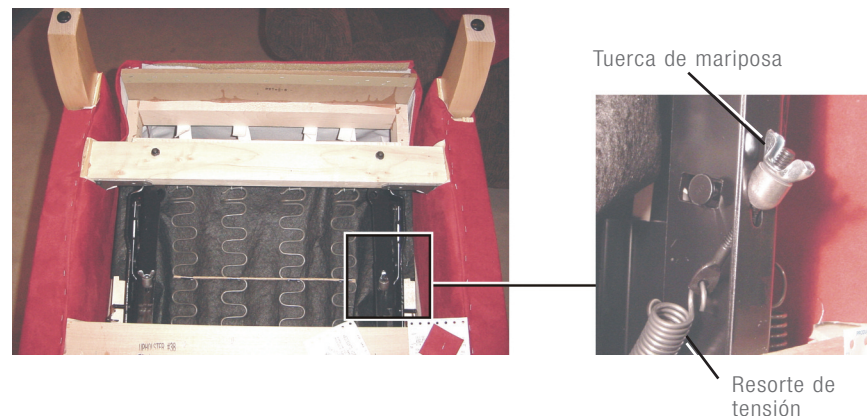


FIGURA 2

La-Z-Boy Classics®



Instrucciones de operación del apoyapiernas de tres posiciones

ADVERTENCIA – Para reducir el riesgo de lesiones graves:

- Asegúrese que el sillón, respaldo y apoyapiernas tengan suficiente espacio para su operación. Coloque tapetes y mesas de forma que el apoyapiernas pueda extenderse sin que haga contacto con los mismos.
- Para levantarse de la unidad y no tropezar, regrese el respaldo a su posición vertical y pliegue el apoyapiernas.

AVISO – Para reducir el riesgo de daños al producto:

- El mecanismo se dañará si se fuerza el apoyapiernas para plegarlo desde la primera o segunda posición. Se debe extender el apoyapiernas a la tercera posición y entonces se puede plegarlo.

Para operar el apoyapiernas

1. Su sillón La-Z-Boy® tiene un apoyapiernas de tres posiciones asegurable para confort personalizado. Simplemente tire de la manija y gírela en sentido antihorario para controlar el apoyapiernas (FIGURA 1). Puede detenerse en una de las tres posiciones que prefiera. La primera posición tiene una ligera inclinación para comodidad al leer (FIGURA 2). La segunda posición es un poco más inclinada para comodidad al mirar televisión (FIGURA 3). La tercera posición es completamente extendida para relajar completamente el cuerpo (FIGURA 4). Para descender el apoyapiernas, gire la manija en sentido antihorario hasta llegar a la posición completamente extendida y luego gírela en sentido horario a la posición completamente plegada.
2. Se puede reclinar el respaldo con el apoyapiernas extendido o plegado. Para reclinar, haga presión contra el respaldo. Siéntese erguido para que el respaldo regrese a la posición recta.
3. El respaldo debe estar recto y el apoyapiernas plegado antes de que usted se levante de la unidad.

Características del sillón Reclina-Rocker®

Se puede reclinar todo el sillón mientras el apoyapiernas está en uso. Al mover el peso de su cuerpo hacia atrás, la estructura del sillón se reclina hacia atrás y le proporciona varias posiciones diferentes.

FIGURA 1

POSICIÓN CERRADA



FIGURA 2

1ª POSICIÓN



FIGURA 3

2ª POSICIÓN



FIGURA 4

3ª POSICIÓN



Instrucciones de la base giratoria, los complementos y el sillón Reclina-Glider®

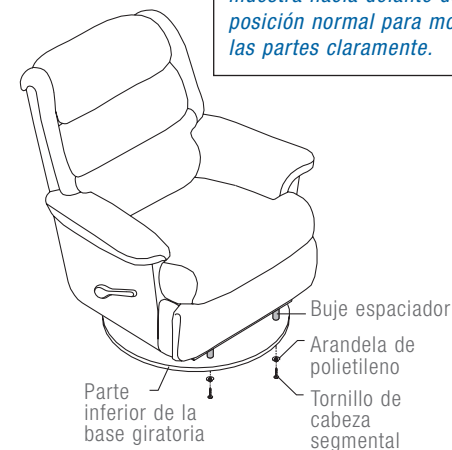
Para activar las funciones de la base giratoria:

1. Coloque la unidad sobre el respaldo.
2. Localice los dos casquillos espaciadores, los dos tornillos de cabeza segmentada y la parte inferior de la base giratoria (FIGURA 1).
3. Quite los dos tornillos de cabeza segmentada con un destornillador Torx T-30 y sostenga la base giratoria firmemente.
NOTA: las dos arandelas de polietileno están unidas con adhesivo y no necesita retirarlas.
4. Retire los dos casquillos espaciadores que se encuentran entre la parte inferior de la base giratoria y el subconjunto de la base deslizante (FIGURA 2).
5. Regrese el sillón a la posición recta.
6. Guarde las piezas para usarlas a futuro para desactivar la función giratoria.

Para desactivar la función de la base giratoria:

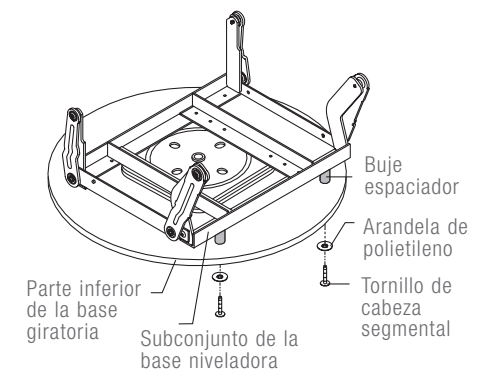
1. Coloque la unidad sobre el respaldo.
2. Gire la parte inferior de la base giratoria hasta que los orificios estén alineados con los orificios en el subconjunto de la base deslizante (FIGURA 2).
3. Sostenga la base giratoria firmemente. Coloque los casquillos espaciadores entre los orificios en la parte inferior de la base giratoria y el subconjunto de la base deslizante. Inserte los tornillos de cabeza segmentada a través de los orificios en la parte inferior de la base giratoria, a través de los casquillos espaciadores en los orificios del subconjunto de la base deslizante. Ajuste cada tornillo con un destornillador Torx T-30.
4. Regrese el sillón a la posición recta.

FIGURA 1



NOTA: la base giratoria se muestra hacia delante de la posición normal para mostrar las partes claramente.

FIGURA 2



Guía para colocación de muebles

ADVERTENCIA – Para reducir el riesgo de lesiones graves:

- Asegúrese que el sillón, respaldo y apoyapiernas tengan suficiente espacio para su operación. Coloque tapetes y mesas de forma que el apoyapiernas pueda extenderse sin que haga contacto con los mismos.

Unidades reclinables

Para colocar las unidades reclinables a la distancia adecuada de la pared, recline por completo la unidad y deje un espacio mínimo de 2 pulgadas (5 cm) entre la parte superior del respaldo y la pared (FIGURA 1).

Coloque tapetes y mesas de forma que el apoyapiernas pueda extenderse sin que toque o interfiera con otros muebles. Si hay interferencia con el apoyapiernas, posiblemente no pueda plegarlo por completo (FIGURA 2). Si el apoyapiernas no está plegado por completo, puede abrirse inesperadamente y causar lesiones. La distancia adecuada para el área de tapetes se muestra en la FIGURA 3.

Asegúrese de que las mesas y otros elementos se encuentren a una distancia suficiente para que no interfieran con la operación del apoyapiernas. Una mesa en un lugar incorrecto puede hacer que el ocupante quede atrapado en la Unidad. Esto se muestra en la FIGURA 4. Debe haber espacio suficiente para que el apoyapiernas se abra por completo antes de plegarlo.

FIGURA 1



FIGURA 2



FIGURA 3



FIGURA 4



Instrucciones de limpieza del portavasos

Instrucciones de cuidado y limpieza del portavasos

El terminado en el portavasos puede ser dañado durante su uso o limpieza. Se recomienda que sea utilizado un mantel protector para reducir la probabilidad de daños, y que se sigan las instrucciones de limpieza.

Use agua y jabón suave, por ejemplo detergente para vajillas, para limpiar los portavasos. Seque inmediata y minuciosamente con un paño limpio y suave para mantener el acabado.

El uso de limpiadores ásperos y abrasivos no está recomendado y deben evitarse.

Félicitations!

Vous êtes maintenant le fier propriétaire d'un moderne meuble de La-Z-Boy^{MD}.

Vous venez de vous procurer l'un des meilleurs produits rembourrés jamais produits par l'industrie du meuble, dont la conception s'appuie sur plus de 90 ans d'excellence dans le domaine de la fabrication.

La-Z-Boy est fier de l'esthétique soignée de ses produits et de son savoir-faire, et nous savons que vous penserez de même en profitant du confort et du style de votre nouveau meuble.

IMPORTANT

Bien lire les instructions avant d'utiliser votre mobilier La-Z-Boy^{MD}.
À conserver pour usage ultérieur.

Table des matières

Règles de sécurité importantes.....	36-37
Montage du fauteuil inclinable.....	38-41
Montage de la causeuse berceuse.....	42-43
Réglage de la tension d'inclinaison.....	44-45
Fonctionnement du repose-jambes à 3 positions.....	46
Fonctionnement de l'inclinable pivotant Reclina-Glider ^{MD} et du fauteuil glisseur pivotant Compléments.....	47
Comment disposer vos meubles	48
Instructions de nettoyage du porte-gobelet	49

Dénégation de responsabilité : Les informations et les produits figurant dans ce manuel pourraient différer quelque peu du produit que vous avez acheté. La-Z-Boy se réserve le droit d'effectuer des substitutions qui présentent le même niveau de qualité et de rendement.

Règles de sécurité importantes

Important : Lire attentivement les instructions suivantes avant l'utilisation.

DANGER – Pour réduire le risque de blessures graves ou de mort :

- Pour prévenir la suffocation, garder les sacs de plastique loin des enfants.

AVERTISSEMENT – Pour réduire le risque d'incendie, de brûlures ou de blessures graves :

- Garder le rembourrage éloigné des flammes et des cigarettes allumées. Le rembourrage peut brûler rapidement en dégageant des gaz toxiques et une fumée épaisse. Des incendies qui démarrent ailleurs dans une maison peuvent se propager et brûler le rembourrage. Pour plus de sécurité, toujours utiliser un détecteur de fumée correctement installé avec des piles chargées.
- Une supervision étroite est nécessaire quand ce produit est utilisé par des enfants ou des personnes handicapées.
- Vous asseoir lentement sur le meuble. Pour éviter qu'il bascule, ne pas lancer votre poids contre le dossier. Y aller lentement quand vous vous inclinez ou remettez en position verticale, et vous assurer qu'il n'y a pas d'enfant ou d'animal de compagnie à proximité.
- Ce produit compte plusieurs pièces mobiles et peut causer des blessures graves s'il n'est pas utilisé correctement. Garder les mains, les doigts et toute autre partie du corps loin du mécanisme. Pour réduire le risque de coincer la tête ou d'autres blessures, éloigner les enfants et les animaux des ouvertures et des pièces mobiles qui se trouvent dans le meuble ou autour de celui-ci.
- Seul l'occupant doit faire fonctionner le meuble. Ne jamais tenter d'ouvrir le repose-jambes en tirant dessus.
- Ne pas se tenir debout, s'asseoir ou mettre de poids excessif sur les bras, le dossier ou le repose-jambes déployé.
- Pour sortir du meuble en toute sécurité et pour éviter de trébucher, relever le dossier et fermer le repose-jambes.
- Ne pas utiliser ce produit s'il est endommagé. Ne pas utiliser d'accessoires ou de pièces de substitution.
- Ce produit est exclusivement réservé à un usage résidentiel intérieur.
- Prévoir un parcours sans obstructions pour faire fonctionner le fauteuil, le dossier et le repose-jambes. Placer les tables et les carpettes assez loin pour que le repose-jambes puisse s'ouvrir complètement sans frottement ni obstruction.
- Ce produit n'est pas conçu pour servir de dispositif de santé.
- Ne pas faire fonctionner le meuble avant d'avoir installé et bloqué le dossier.
- Déplacer le meuble avec soin. Avant de le soulever, bloquer le mécanisme pour l'empêcher de s'ouvrir ou de bouger soudainement. Ne jamais déplacer le meuble par le mécanisme, le repose-jambes, la poignée, le dossier inclinable ou la base pivotante. Déconnecter les modules. Ne saisir solidement que les pièces inamovibles.
- Ce meuble est doté d'un réglage de tension pour le mécanisme d'inclinaison, pré-réglé en usine. Vous pouvez personnaliser ce réglage. Pour éviter de faire basculer le meuble et pour en assurer la stabilité, ne jamais faire fonctionner le meuble quand les écrous à oreilles qui règlent la tension sont complètement desserrés (voir les instructions touchant le réglage de la tension d'inclinaison).
- Ne pas placer de récipients contenant des boissons chaudes dans les porte-gobelets. Le meuble peut se déplacer et les boissons peuvent se déverser et blesser l'occupant. Ne pas placer de récipients surdimensionnés ou sans couvercle dans les porte-gobelets.

Règles de sécurité importantes

Important : Lire attentivement les instructions suivantes avant l'utilisation.

AVERTISSEMENT – Pour réduire le risque d'incendie, de brûlures ou de blessures graves :

- Ne pas utiliser les meubles La-Z-Boy[®] dans un véhicule récréatif (ou autre véhicule en mouvement) pendant que le véhicule est en mouvement. Ce meuble n'est pas conçu pour protéger son occupant lors d'un accident. Bien fixer le meuble pendant que le véhicule est en mouvement pour prévenir les blessures ou les dommages lors d'un arrêt soudain.
- Si vous donnez ce produit à quelqu'un d'autre, lui donner aussi ce manuel d'instructions.

AVIS : – Pour réduire le risque d'endommager le produit :

- Le mécanisme sera endommagé si on force le repose-jambes à se refermer à partir de la 1^{re} ou 2^e position. Ouvrir le repose-jambes jusqu'à la 3^e position avant de le refermer.
- Ne pas déplacer les unités alors qu'elles sont jointes les unes aux autres. L'objectif du système de crochets de verrouillage consiste à relier les unités et les empêcher de se séparer tandis qu'elles se trouvent au sol. Le système de crochets ne fournit pas un soutien structurel adéquat afin de déplacer des unités reliées.
- Certains meubles sont munis de porte-gobelets. S'assurer d'empêcher les déversements de boissons, qui pourraient endommager le revêtement.

Montage du fauteuil inclinable

Les instructions ci-dessous s'appliquent aux dossiers dont le revêtement est fixé à tous les côtés de la charpente arrière. *Si le revêtement de votre dossier est fixé au moyen de rubans d'attache, vous reporter aux instructions des pages suivantes.*

AVERTISSEMENT – Pour réduire le risque de blessures :

- Ne pas faire fonctionner le meuble avant d'avoir installé et bloqué le dossier.

Pour installer le dossier

1. Déposer le dossier sur les bras du meuble. Soulever légèrement le dossier et aligner les fixations du dossier avec les fixations de la charpente (FIGURE 1).
2. Faire basculer le dossier sur le meuble en vous assurant que les fixations du dossier et de la charpente sont entièrement engagées.
 - Pour vous assurer que le dossier est installé correctement, avec les deux jeux de fixations du dossier et de la charpente bien engagés, vous tenir debout derrière le fauteuil et remuer le dossier d'un côté à l'autre. Si un ou les deux côtés quittent leur position, les fixations ne sont pas engagées (FIGURE 2). Retirer le dossier et répéter cette marche à suivre.
 - Si vous êtes incapable d'installer correctement le dossier, communiquer avec votre détaillant La-Z-Boy^{MD} pour de l'aide.
3. Bloquer les fixations en poussant sur les leviers de blocage avec un tournevis (FIGURE 3).

Montage du fauteuil inclinable

FIGURE 1

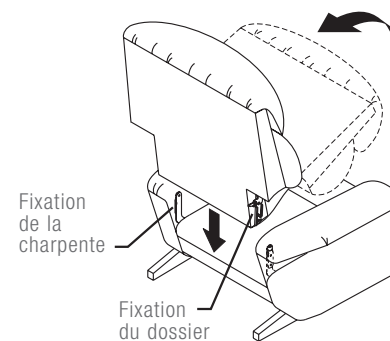
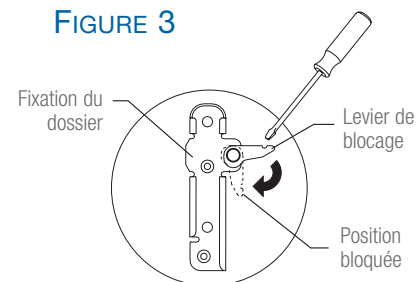


FIGURE 2



Les fixations du dossier et de la charpente de ce côté-ci ne sont pas engagées. Retirer le dossier et recommencer.

FIGURE 3



Montage du fauteuil inclinable

Les instructions de montage ci-dessous sont pour les dossiers de fauteuils dont le revêtement rembourré est fixé avec du ruban de fixation. *Vous reporter aux instructions des pages précédentes si le dossier de votre fauteuil est doté d'un revêtement rembourré fixé à tous les côtés de la charpente du dossier.*

AVERTISSEMENT – Pour réduire le risque de blessures :

- Ne pas faire fonctionner le meuble avant d'avoir installé et bloqué le dossier.

Pour installer le dossier

1. Déposer le dossier sur les bras du meuble. Soulever légèrement le dossier et aligner les fixations du dossier avec les fixations de la charpente (FIGURE 1).
 - Les fixations du dossier peuvent se trouver à l'extérieur ou à l'intérieur de l'ensemble du dossier.
2. Faire basculer le dossier sur le meuble en vous assurant que les fixations du dossier et de la charpente sont entièrement engagées.
 - Pour les fauteuils dont les fixations du dossier se trouvent à l'extérieur de l'ensemble du dossier, vous tenir debout derrière le fauteuil et remuer le dossier d'un côté à l'autre. Si un ou les deux côtés quittent leur position, les fixations ne sont pas engagées (FIGURE 2). Retirer le dossier et répéter cette marche à suivre.
 - Pour les fauteuils dont les fixations du dossier se trouvent à l'intérieur de l'ensemble du dossier, soulever le revêtement rembourré du dossier pour confirmer visuellement que les deux jeux de fixations du dossier et de la charpente sont engagés (FIGURE 3).
 - Si vous êtes incapable d'installer correctement le dossier, communiquer avec votre détaillant La-Z-Boy^{MD} pour de l'aide.
3. Bloquer les fixations en poussant sur les leviers de blocage avec un tournevis (FIGURE 4).

ATTENTION – Pour réduire le risque de blessures mineures :

- Une fois le dossier installé, le revêtement rembourré extérieur du dossier doit être bien fixé en place en tout temps.

4. Le revêtement rembourré extérieur du dossier se fixe à la charpente de diverses façons, selon le modèle.
 - Bien resserrer vers le bas le revêtement rembourré extérieur du dossier et presser le ruban de fixation du revêtement extérieur du dossier sur le ruban de fixation de la charpente (FIGURE 5).
 - Bien resserrer vers le bas le revêtement rembourré extérieur du dossier et presser le ruban de fixation du revêtement extérieur du dossier sur le bas de la charpente du siège (FIGURE 6).

Montage du fauteuil inclinable

FIGURE 1

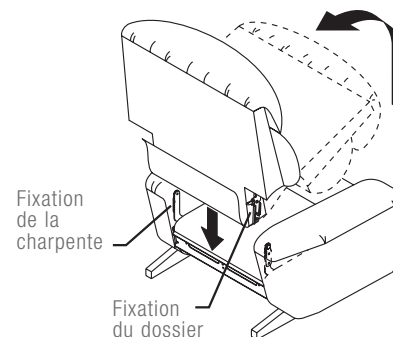


FIGURE 2



Les fixations du dossier et de la charpente de ce côté-ci ne sont pas engagées. Retirer le dossier et recommencer.

FIGURE 3



FIGURE 4

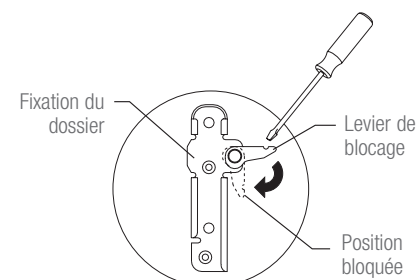


FIGURE 5



Ruban de fixation

FIGURE 6



Sangle élastique

Ruban de fixation

Montage de la causeuse berceuse

AVERTISSEMENT – Pour réduire le risque de blessures graves :

- Prévoir un parcours sans obstructions pour faire fonctionner le fauteuil, le dossier et le repose-jambes. Placer les tables et les carpettes assez loin pour que le repose-jambes puisse s'ouvrir complètement sans frottement ni obstruction.

1. Placer le meuble dans l'endroit choisi; vous reporter à la section *Comment disposer vos meubles*.
2. Utiliser une clé Torx T-30 pour desserrer les goujons filetés d'environ 2,5 cm (1 po), cette mesure peut varier selon le tissu et le style. Les goujons filetés sont situés du côté gauche (en position assise) des unités.
3. Placer la console (FIGURE 3) à environ 5,08 cm (2 po) à côté (en position assise) de la berceuse inclinable de gauche (FIGURE 1). Positionner la console (avec goujons filetés) légèrement derrière le fauteuil inclinable. Séparer le devant des unités à raccorder, à environ 15,2 cm (6 po) d'intervalle. Tirer la console vers l'avant jusqu'à ce que son goujon fileté s'engage dans le support arrière du fauteuil inclinable.

ADVERTENCIA – Pour réduire le risque de blessures graves :

- L'avant de l'appareil doit être soulevé pour engager le support avant. Veuillez demander de l'aide si vous êtes incapable de soulever au moins 9,5 kg (21 lb).
- Gardez les pieds éloignés de l'unité lors de l'abaissement.

4. Soulever le devant de la console d'environ 7,6 cm (3 po) du sol, l'aligner sur le support de fixation du côté gauche (en position assise) de la berceuse inclinable. Abaisser délicatement le goujon fileté dans le support de fixation avant (FIGURE 4). Gardez les pieds éloignés de l'unité lors de l'abaissement.

NOTE: En raison des variations dans le rembourrage et le style, la longueur du goujon fileté peut devoir être ajustée pour s'intégrer dans les supports de fixation ou contrôler l'écart entre les unités. Desserrer ou serrer les goujons filetés pour assurer un dégagement adéquat.

5. Placer le côté droit (en position assise) de la berceuse inclinable (FIGURE 2) à environ 5,08 cm (2 po) à côté de la console. Positionner le côté droit (en position assise) de la berceuse inclinable (avec goujons filetés) légèrement derrière la console. Séparer le devant des unités à raccorder, à environ 15,2 cm (6 po) d'intervalle. Tirer le fauteuil inclinable de droite (en position assise) vers l'avant jusqu'à ce que son goujon fileté s'engage dans le support arrière de la console.

ADVERTENCIA – Pour réduire le risque de blessures graves :

- L'avant de l'appareil doit être soulevé pour engager le support avant. Veuillez demander de l'aide si vous êtes incapable de soulever au moins 9,5 kg (21 lb).
- Gardez les pieds éloignés de l'unité lors de l'abaissement.

AVIS : – Pour réduire le risque d'endommager le produit :

- Soulever le cadre latéral. Ne pas soulever en utilisant le rembourrage ou la partie inférieure du repose-jambes.

6. Soulever le devant du fauteuil inclinable de droite (en position assise) d'environ 7,6 cm (3 po) du sol, l'aligner sur le support de fixation de la console. Abaisser délicatement le goujon fileté dans le support de fixation avant. Gardez les pieds éloignés de l'unité lors de l'abaissement.
7. Le cas échéant, ajuster les patins réglables de la console pour mettre l'unité de niveau. Tourner dans le sens horaire pour abaisser ou dans le sens anti-horaire pour soulever.

Montage de la causeuse berceuse

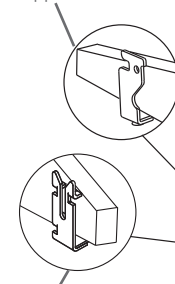
AVIS : – Pour réduire le risque d'endommager le produit :

- Ne pas déplacer les unités alors qu'elles sont jointes les unes aux autres. L'objectif du système de crochets de verrouillage consiste à relier les unités et les empêcher de se séparer tandis qu'elles se trouvent au sol. Le système de crochets ne fournit pas un soutien structurel adéquat afin de déplacer des unités reliées.

8. Les unités modulaires doivent être déconnectées avant de déplacer la causeuse. Pour déconnecter les unités, soulever le coin avant gauche du fauteuil inclinable droit (en position assise) d'environ 7,6 cm (3 po) afin de dégager l'avant du support de fixation de la console. Déplacer le fauteuil sur le côté avant de le retourner sur le sol. Glisser le fauteuil inclinable de droite (en position assise) vers l'arrière pour dégager le support arrière de la console. Répéter ces étapes pour déconnecter la console du fauteuil inclinable de gauche (en position assise).

FIGURE 1
Inclinable berceur de gauche
(en vue assise)

Support arrière



Support de fixation avant

FIGURE 2
Inclinable berceur de droite
(en vue assise)

Goujon fileté

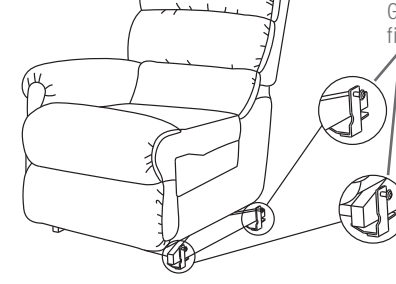


FIGURE 3
Console

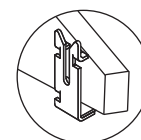
Support de montage latéral arrière



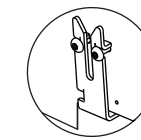
Support latéral en « U » avant



FIGURE 4



Support de fixation avant (côté gauche en position assise de la berceuse inclinable)



Support de fixation avant (console)

Réglage de la tension d'inclinaison

AVERTISSEMENT – Pour réduire le risque de blessures :

- Ce meuble est doté d'un réglage de tension pour le mécanisme d'inclinaison, pré-réglé en usine. Vous pouvez personnaliser ce réglage. Pour éviter de faire basculer le meuble et pour en assurer la stabilité, ne jamais faire fonctionner le meuble quand les écrous à oreilles qui règlent la tension sont complètement desserrés.

AVIS : – Pour réduire le risque d'endommager le produit :

- Vous assurer que le repose-jambes de chaque meuble est fermé avant de faire basculer vers l'avant et de régler la tension.
- Ne pas resserrer complètement les écrous à oreilles. Les ressorts ne doivent pas être complètement comprimés après le réglage. Le cas échéant, tourner l'écrou à oreilles au moins un demi-tour pour éviter d'endommager le mécanisme de tension des ressorts.
- Ne pas desserrer complètement les écrous à oreilles. Le ressort ne doit pas glisser sur le boulon après le réglage. Le cas échéant, tourner les écrous à oreilles au moins un demi-tour après que le ressort cesse de glisser sur le boulon.
- Régler les deux écrous à oreilles à égalité.

Instructions touchant le réglage

Vous pouvez régler la tension du mécanisme d'inclinaison pour convenir à votre taille.

1. Fauteuils Reclina-Rocker^{MD}, Reclina-Glider^{MD} et Reclina-Way^{MD}

Faire basculer doucement le fauteuil vers l'avant pour qu'il repose sur les bras et le dessus du dossier. Repérer les écrous à oreilles, soit un de chaque côté, vers l'arrière du meuble sous chaque siège inclinable (FIGURE 1).

REMARQUE : Le fauteuil inclinable glisseur pivotant Reclina-Glider^{MD} est muni d'une roulette (non illustrée) au lieu d'un écrou à oreilles.

Inclinable surbaissé et inclinable à grands pieds La-Z-Boy Classics^{MD} avec mécanisme à 3 réglages

Faire basculer doucement le fauteuil vers l'avant pour qu'il repose sur les bras et le dessus du dossier. Repérer les écrous à oreilles, soit un de chaque côté, vers le centre du meuble sous le siège (FIGURE 2).

2. Régler la tension en tournant les écrous à oreilles ou la roulette par quarts de tour jusqu'à ce que le réglage voulu soit atteint.
 - La personne plus grande ou plus lourde peut choisir d'augmenter la tension d'inclinaison en resserrant les écrous à oreilles ou la roulette dans le sens horaire.
 - La personne plus petite peut choisir de réduire la tension d'inclinaison en desserrant les écrous à oreilles ou la roulette dans le sens antihoraire.
3. Remettre le meuble en position verticale. Faire l'essai du nouveau réglage. Répéter au besoin.

Réglage de la tension d'inclinaison

FIGURE 1

Reclina-Rocker^{MD}, Reclina-Glider^{MD} et Reclina-Way^{MD}

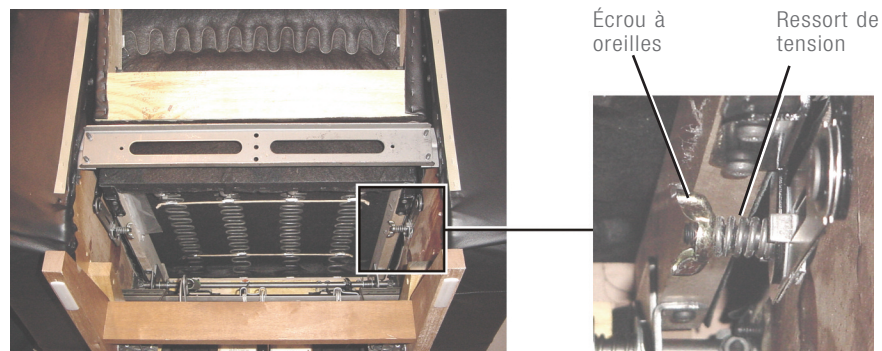
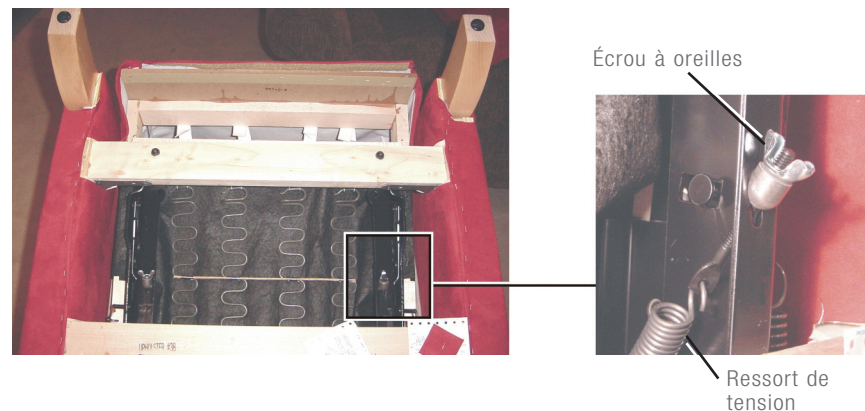


FIGURE 2

La-Z-Boy Classics^{MD}



Fonctionnement du repose-jambes à 3 réglages

AVERTISSEMENT – Pour réduire le risque de blessures graves :

- Prévoir un parcours sans obstructions pour faire fonctionner le dossier et le repose-jambes. Placer les tables et les carpettes assez loin pour que le repose-jambes puisse s'ouvrir complètement sans frottement ni obstruction.
- Pour vous lever en toute sécurité, remettre le dossier à la verticale et fermer le repose-jambes.

AVIS : – Pour réduire le risque d'endommager le produit :

- Le mécanisme sera endommagé si on force le repose-jambes à se refermer à partir de la 1^{re} ou 2^e position. Ouvrir le repose-jambes jusqu'à la 3^e position avant de le refermer.

Pour faire fonctionner le repose-jambes

1. Votre fauteuil La-Z-Boy^{MD} est muni d'un repose-jambes verrouillable en 3 positions pour personnaliser votre confort. Tourner simplement la manette dans le sens horaire pour contrôler le repose-jambes (FIGURE 1). Vous pouvez vous arrêter dans n'importe laquelle des 3 positions idéales. La 1^{re} est légèrement ouverte pour la lecture détendue (FIGURE 2). La 2^e est un peu plus ouverte pour regarder la télé en tout confort (FIGURE 3). La 3^e est entièrement ouverte pour une détente complète (FIGURE 4). Pour refermer le repose-jambes, tourner la manette dans le sens antihoraire jusqu'à l'ouverture complète, puis la tourner dans le sens horaire jusqu'à la position entièrement fermée.
2. Vous pouvez incliner le dossier quand le repose-jambes est ouvert ou fermé. Pour vous incliner, exercer une pression sur le dossier. Pour que le dossier reprenne la position verticale, transférer votre poids vers l'avant.
3. Remettre le dossier à la verticale et fermer le repose-jambes avant de vous lever.

Caractéristique du fauteuil Reclina-Rocker^{MD}

Le corps du fauteuil peut se déplacer vers l'arrière quand le repose-jambes est en usage. Transférer votre poids vers l'arrière fait déplacer le corps du fauteuil vers l'arrière pour offrir plusieurs positions.

FIGURE 1

POSITION
FERMÉE



FIGURE 2

1^{re} position



FIGURE 3

2^e position



FIGURE 4

3^e position



Fonctionnement de l'inclinable pivotant Reclina-Glider^{MD} et du fauteuil glisseur pivotant Compléments

Pour activer la fonction de pivotement

1. Coucher le meuble sur le dos.
2. Repérer les deux douilles d'écartement, les deux vis à tête bombée et le fond de la base pivotante (FIGURE 1).
3. Retirer les deux vis à tête bombée à l'aide d'un tournevis T-30 à pointes six lobes, tout en tenant bien le fond de la base pivotante.
REMARQUE : les deux rondelles de polyéthylène sont collées; il n'est pas nécessaire de les enlever.
4. Retirer les deux douilles d'espacement qui se trouvent entre le dessous de la base pivotante et le sous-ensemble de la base de glissement (FIGURE 2).
5. Remettre le fauteuil debout.
6. Ranger les pièces pour pouvoir désactiver cette fonction plus tard.

Pour désactiver la fonction de pivotement

1. Coucher le meuble sur le dos.
2. Faire tourner le dessous de la base pivotante jusqu'à ce que les trous s'alignent avec les trous du sous-ensemble de glissement (FIGURE 2).
3. En tenant bien le dessous de la base pivotante, placer les douilles d'espacement entre les trous du dessous de la base pivotante et le dessous du sous-ensemble de glissement. Enfiler les vis à tête bombée dans les trous du dessous de la base pivotante, entre les douilles d'espacement et dans les trous du dessous du sous-ensemble de glissement. Visser à l'aide du tournevis T-30 à pointes six lobes.
4. Remettre le fauteuil debout.

FIGURE 1

REMARQUE : la base est illustrée en saillie pour bien montrer les pièces.

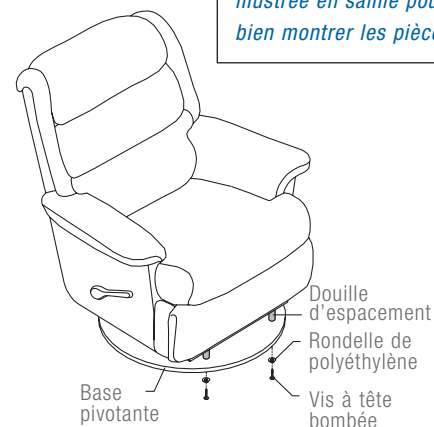
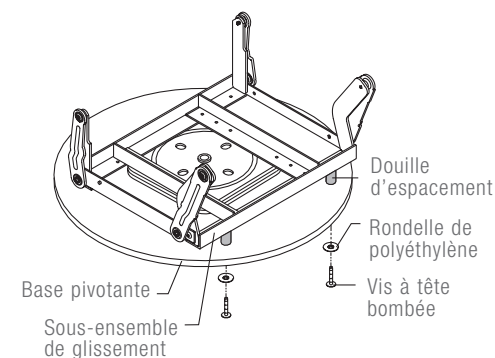


FIGURE 2



Comment disposer vos meubles

AVERTISSEMENT – Pour réduire le risque de blessures graves :

- Prévoir un parcours sans obstructions pour faire fonctionner le fauteuil, le dossier et le repose-jambes. Placer les tables et les carpettes assez loin pour que le repose-jambes puisse s'ouvrir complètement sans frottement ni obstruction.

Meubles inclinables

Pour placer votre inclinable à une bonne distance du mur, l'incliner entièrement en laissant au moins 5 cm (2 po) entre le dessus du dossier et le mur (FIGURE 1).

Placer les tables et carpettes assez loin pour permettre au repose-jambes de s'ouvrir sans frottement ni obstruction. Sinon, le repose-jambes peut ne pas se fermer complètement (FIGURE 2). Si cela se produit, le repose-jambes peut s'ouvrir soudainement et blesser quelqu'un. Voir la FIGURE 3 pour la distance correcte de la carquette.

Vous assurer que les tables et autres articles sont assez loin pour ne pas gêner le repose-jambes. Une table mal placée pourrait coincer l'occupant dans le fauteuil, tel qu'il est illustré à la FIGURE 4. Il faut qu'il y ait assez de jeu pour que le repose-jambes soit entièrement ouvert avant d'être refermé.

FIGURE 1



FIGURE 2



FIGURE 3

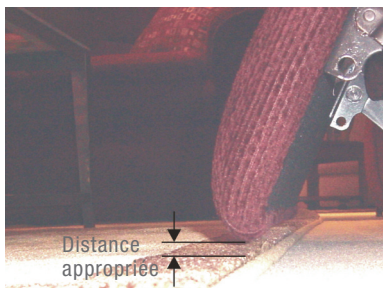


FIGURE 4



Instructions de nettoyage du porte-gobelet

Instructions d'entretien et de nettoyage du porte-gobelet

L'apprêt du porte-gobelet peut être endommagé durant l'utilisation ou le nettoyage. Il est recommandé d'utiliser un sous-verre pour réduire les risques de dommages, et de respecter les instructions de nettoyage.

Utiliser de l'eau et un savon doux, comme un savon à vaisselle, pour nettoyer les porte-gobelets. Sécher immédiatement et complètement avec un linge propre et doux pour préserver l'apprêt.

L'utilisation d'un nettoyeur fort ou abrasif n'est pas recommandée et doit être évitée.