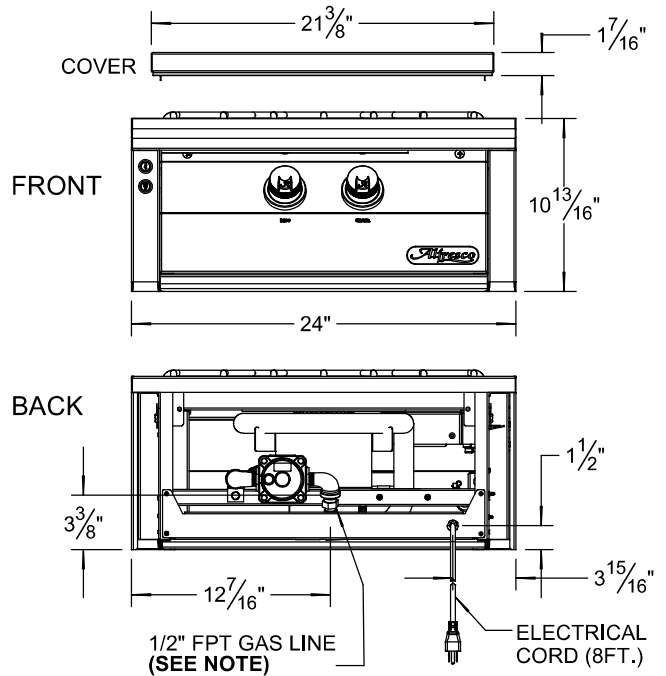


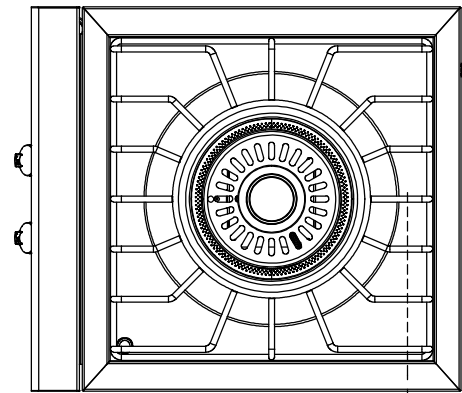
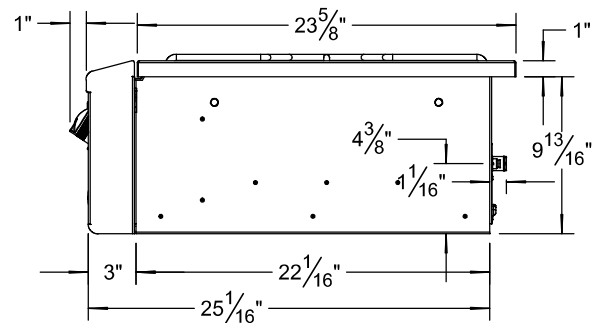
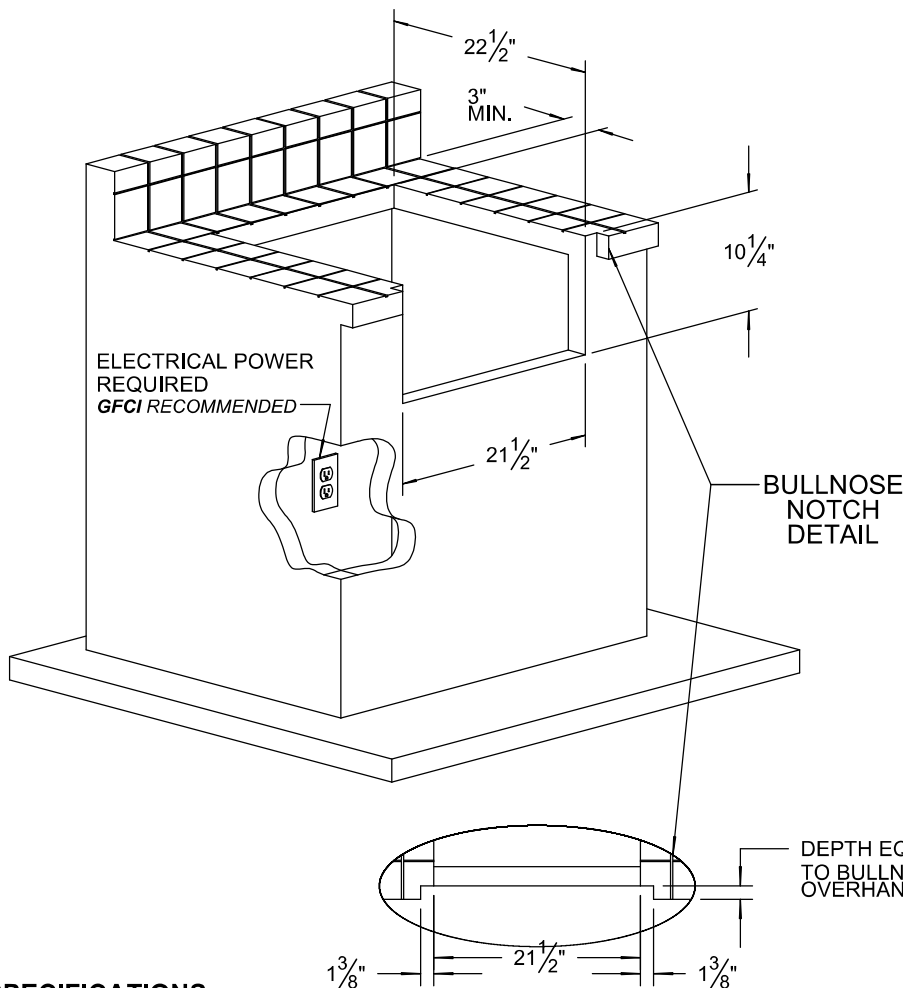


AXEVP UNIT

AXEVP TYPICAL INSTALLATION



COUNTERTOP CUTOUT REQUIREMENTS



GAS CONNECTION SETBACK 3⁵/₁₆"

LP GAS SETUP:

ADAPTER: 1/2" MPT X 3/8" MPT

REGULATOR WITH 36" HOSE

NOTE: STANDARD UNIT HAS A NATURAL GAS (NG) CONNECTION WITH 1/2" NPT FITTING.

IF LIQUID PROPANE (LP) OPTION IS ORDERED THE UNIT IS SUPPLIED WITH A REGULATOR, HOSE AND ADAPTER FITTING AS SHOWN.

SPECIFICATIONS:

MAX. COMBINED BTUH = 65,000
 FUEL = NG @ 5" W.C. OR LP @ 10 W.C.
 ELECTRICAL POWER = 115 VAC - 50/60 Hz. - 0.1 A
 GAS CONNECTION = 1/2" NPT (NG) OR 3/8" ODF (LP)

Alfresco
 SUPERIOR EQUIPMENT SOLUTIONS
 7039 EAST SLAUSON AVENUE
 COMMERCE, CA. 90040

THE INFORMATION CONTAINED IN THIS DRAWING IS THE SOLE PROPERTY OF SUPERIOR EQUIPMENT SOLUTIONS INC. ANY REPRODUCTION IN PART OR AS A WHOLE WITHOUT WRITTEN PERMISSION FROM SUPERIOR EQUIPMENT SOLUTIONS, INC. IS PROHIBITED.

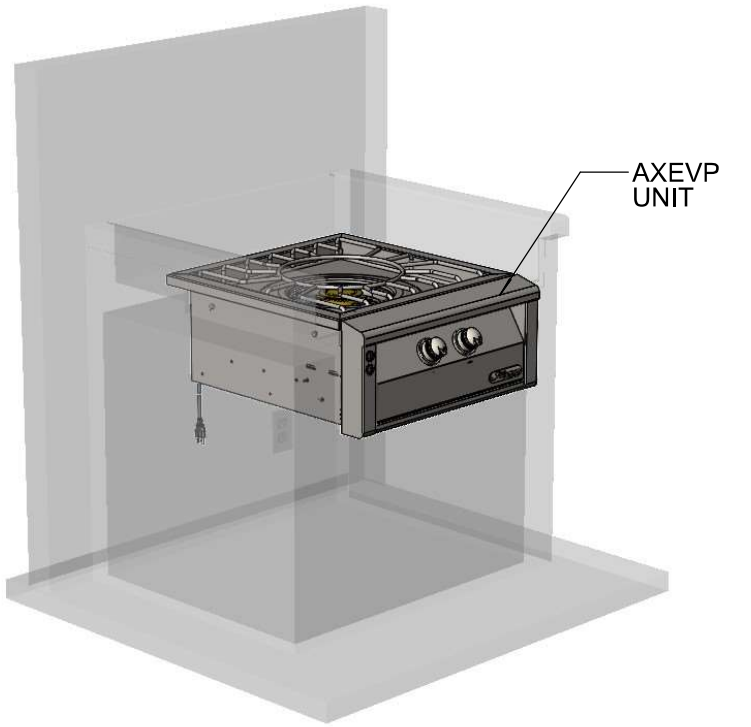
DRAWN BY: ADRIAN CRISCI
CREATED: 04/30/2018 11:03 AM

PROJECT TITLE:
AXEVP

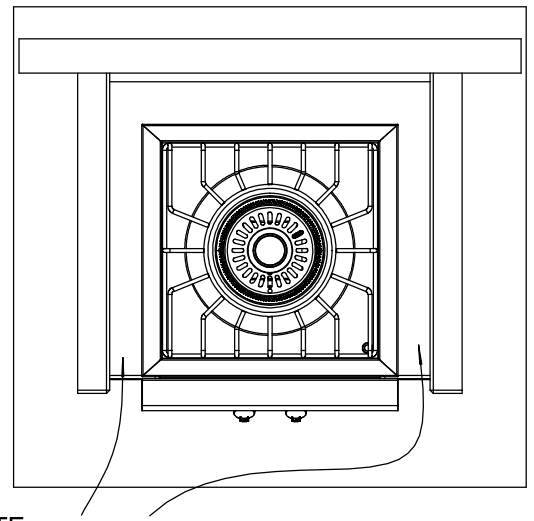
DRAWING TITLE:
AXEVP (REV-A) SPECIFICATION SHEET (SN° 18-00000 & FORWARD)

DRAWING NO.: **AXEVP - SPEC SHEET (REV-A)**

SHEET 1 OF 2



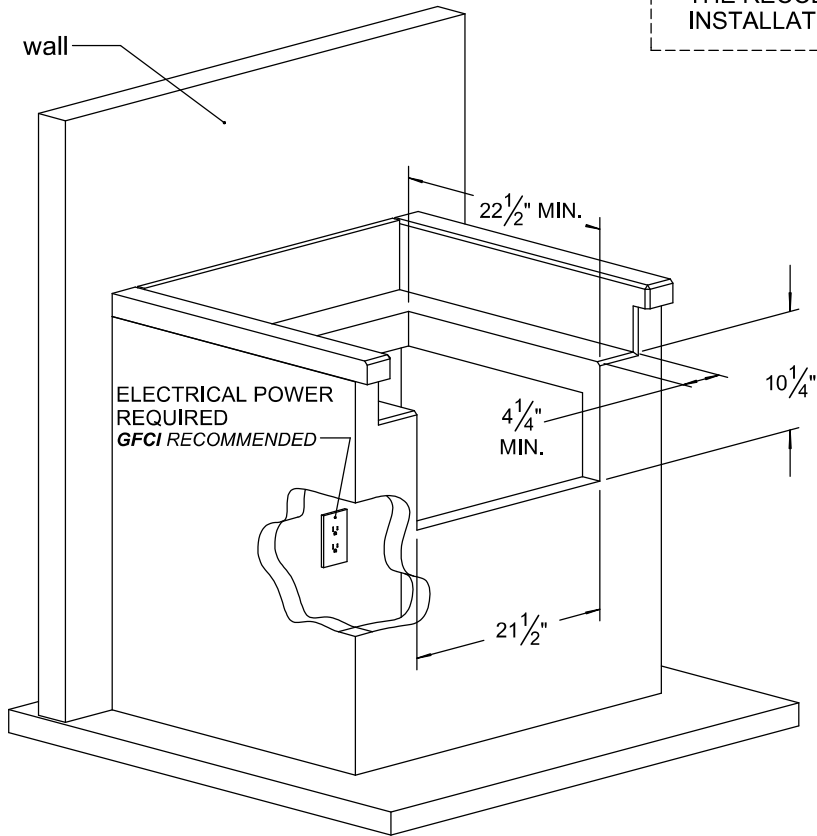
AXEVP 6" RECESSED DOWN INSTALLATION



NOTE:
3" MINIMUM
CLEARANCE
ALL AROUND
PERIMETER OF
THE UNIT

COUNTERTOP CUTOUT REQUIREMENTS

NOTE:
THE AXEVP-TG
(TEPPANYAKI GRIDDLE)
CANNOT BE USED WITH
THE RECESSED DOWN
INSTALLATION



★ NOTE:
TYPICAL RECESSED DOWN IS 6"
MAY BE DIFFERENT TO SUIT CUSTOMER PREFERENCE.

