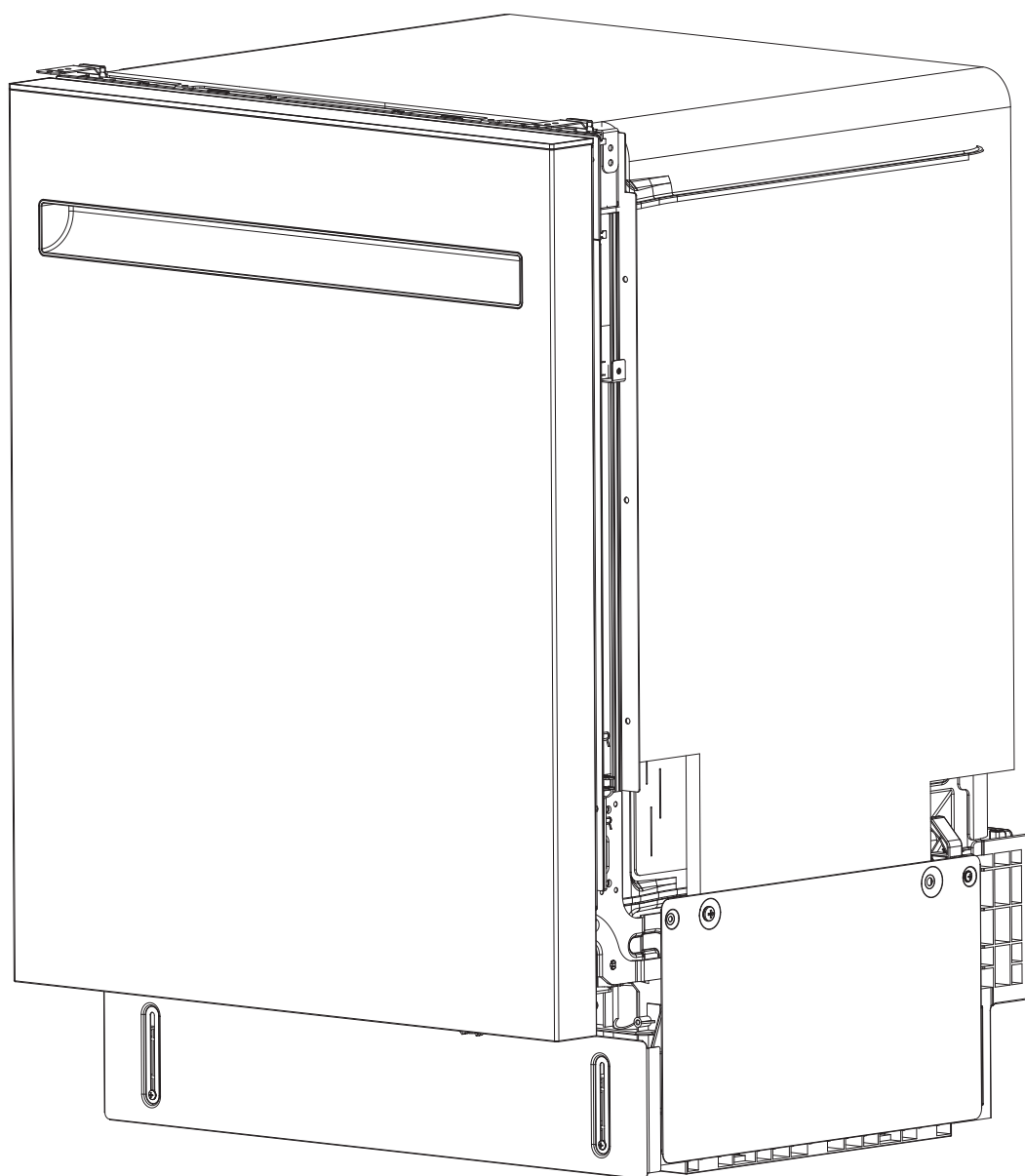


Kenmore^{®/MD}



DISHWASHER

24" width / built-in / 3 racks / 49 decibels



KKDW3RPH-49B
KKDW3RPH-49SS
KKDW3RPH-49W
Use & Care Guide

TABLE OF CONTENTS

Important Safeguards	3
Grounding Instructions	4
Disposal and Recycling	4
FCC Requirement	5
Know Your Dishwasher	6
Know Your Controls	8
Quick Start Guide	9
Operating Instructions	10
Loading Patterns	12
Care and Maintenance	14
Troubleshooting Guide	16
Error Codes	20
Wash Cycle Information	21
Warranty	24

Thank you for choosing this Kenmore product! Please make a note of your product model and serial numbers for future reference. These can be found near the door on the right or left side of the dishwasher interior.

This user manual contains important safety information and instructions for the operation and maintenance of your appliance. Please take the time to read this user manual before using your appliance and keep the manual for future reference.

YOUR SAFETY AND THE SAFETY OF OTHERS IS VERY IMPORTANT TO US




This is the Safety Alert Symbol. This symbol alerts you to potential hazards that can kill or injure you if you do not follow instructions. All safety messages in this manual will follow this symbol and the word, "**WARNING.**"

All safety messages will describe the potential hazard, provide instructions on how to reduce the chance of injury, and tell you what can happen if the instructions are not followed.

ALWAYS READ AND OBEY ALL SAFETY MESSAGES IN THIS MANUAL AND ON YOUR APPLIANCE.

IMPORTANT SAFEGUARDS

 **WARNING!** When using your Kenmore dishwasher, always follow basic safety precautions, including the following. Failure to follow these instructions and precautions could void your warranty and result in property and/or appliance damage and/or personal injury.

1. **READ ALL INSTRUCTIONS BEFORE USE AND SAVE FOR FUTURE REFERENCE**

2. Use the dishwasher only for its intended function as described in this manual.

3. Use only detergents and rinse agents recommended for use in a dishwasher. Keep all detergents and rinse agents out of the reach of children.

4. When loading items to be washed:


a. Position sharp items so they are not likely to damage the door seal.

b. Load sharp knives with the handles up to reduce the risk of cut-type injuries.

5. Do not wash plastic items unless they are marked “dishwasher safe” or the equivalent. If there are no markings, check and follow the manufacturer’s recommendations.


6. Do not operate your dishwasher unless all enclosure panels are properly in place.


7. Do not tamper with controls.

 8. **WARNING!** Do not use the appliance until it has been completely installed. Do not push down on the open door. Doing so could cause the dishwasher to tip over and cause serious injuries, cuts, and bruises.

9. Do not abuse, sit, stand, or lean on the door, lid, or dish racks of the dishwasher.


10. Do not allow children to play in or on the dishwasher. Do not leave the dishwasher unattended with the door open.

 11. **WARNING!** Under certain conditions, hydrogen gas may be produced in a hot water system that has not been used for two weeks or more. **HYDROGEN GAS IS FLAMMABLE AND EXPLOSIVE.** If the hot water system has not been used for such a period, BEFORE using the dishwasher, turn on all hot water faucets and let the water flow from each for several minutes to release any accumulated hydrogen gas. Do not smoke or use an open flame during this time as the hydrogen gas could ignite and explode.

 12. **WARNING!** To reduce the risk of injury or suffocation, keep all packaging out of the reach of children while unpacking the dishwasher. Dispose of any plastic wrappings, bags, or small pieces that could present a choking or suffocation hazard immediately.

13. The appliance must be provided with the correct voltage via a professionally installed wall outlet/receptacle. Before using, make sure that the voltage of the wall outlet corresponds to the one shown on the rating plate.

14. Do not attempt to operate the dishwasher if there is wear or damage to the cord or plug. Have it immediately replaced by a qualified technician.

 15. **WARNING!** Some dishwasher detergents are strongly alkaline and can be extremely dangerous if swallowed. Avoid contact with the skin and eyes and keep children and persons unfit to operate the dishwasher away when the door is open. Consult a doctor immediately if detergent has been swallowed or inhaled.

16. To reduce the risk of injury from hot water or steam escaping, always use caution when opening the door during or following a wash cycle.

17. Remove the door to the washing compartment when removing an old dishwasher from service or discarding it to reduce the risk of child entrapment.

18. Do not attempt to dismantle, alter, repair or replace any part of this dishwasher unless it is specifically recommended in this manual. All other servicing should be referred to a qualified technician.

GROUNDING INSTRUCTIONS

FOR A GROUNDED, CORD-CONNECTED DISHWASHER

WARNING

This appliance must be grounded. In the event of a malfunction or breakdown, grounding will reduce the risk of electric shock by providing a path of least resistance for electric current. The dishwasher is equipped with a power cord with an equipment-grounding conductor and a grounding (3-prong) plug. The plug must be plugged into an appropriate outlet that is installed and grounded in accordance with all local codes and ordinances.

WARNING

Improper connection of the equipment-grounding conductor can result in a risk of electric shock. Check with a qualified electrician or service representative if you are in doubt whether the dishwasher is properly grounded. Do not modify the plug provided with the dishwasher. If the plug will not fit into your outlet, have the proper outlet installed by a qualified electrician.

FOR A PERMANENTLY CONNECTED DISHWASHER

WARNING

The dishwasher must be connected to a grounded metal permanent wiring system, or an equipment-grounding conductor must be run with the circuit conductors and connected to the equipment-grounding terminal or lead on the dishwasher.

DISPOSAL AND RECYCLING

To ensure that the appliance presents no danger to children while being stored for disposal, before disposing of the dishwasher:

1. Disconnect the appliance from the electrical supply.
2. Cut the connections between the electrical supply and the dishwasher's junction box.
3. Remove the door to prevent children and pets from getting closed in the appliance.

Old appliances may contain materials that can be recycled. Please contact your local recycling authority about the possibility of recycling these materials.

**FOR HOUSEHOLD USE ONLY
SAVE THESE INSTRUCTIONS**

FCC REQUIREMENT

Any changes or modifications not expressly approved by the party responsible for compliance could void the user's authority to operate the equipment.

This device complies with Part 15 of the FCC Rules. Operation is subject to the following two conditions:

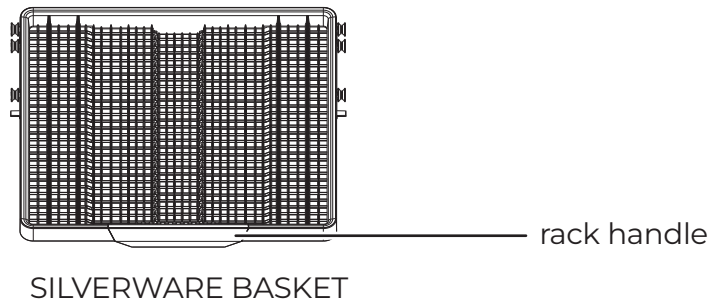
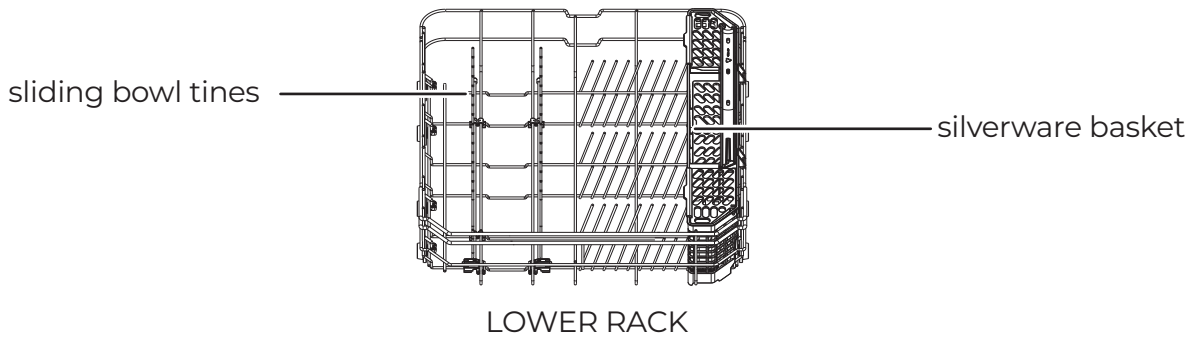
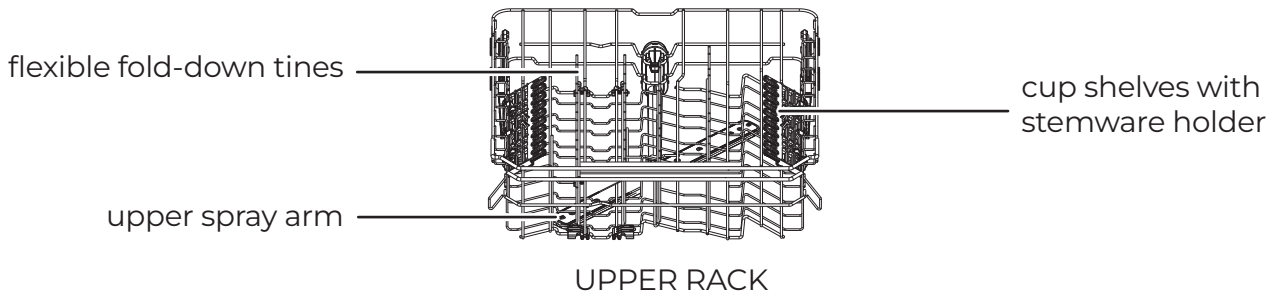
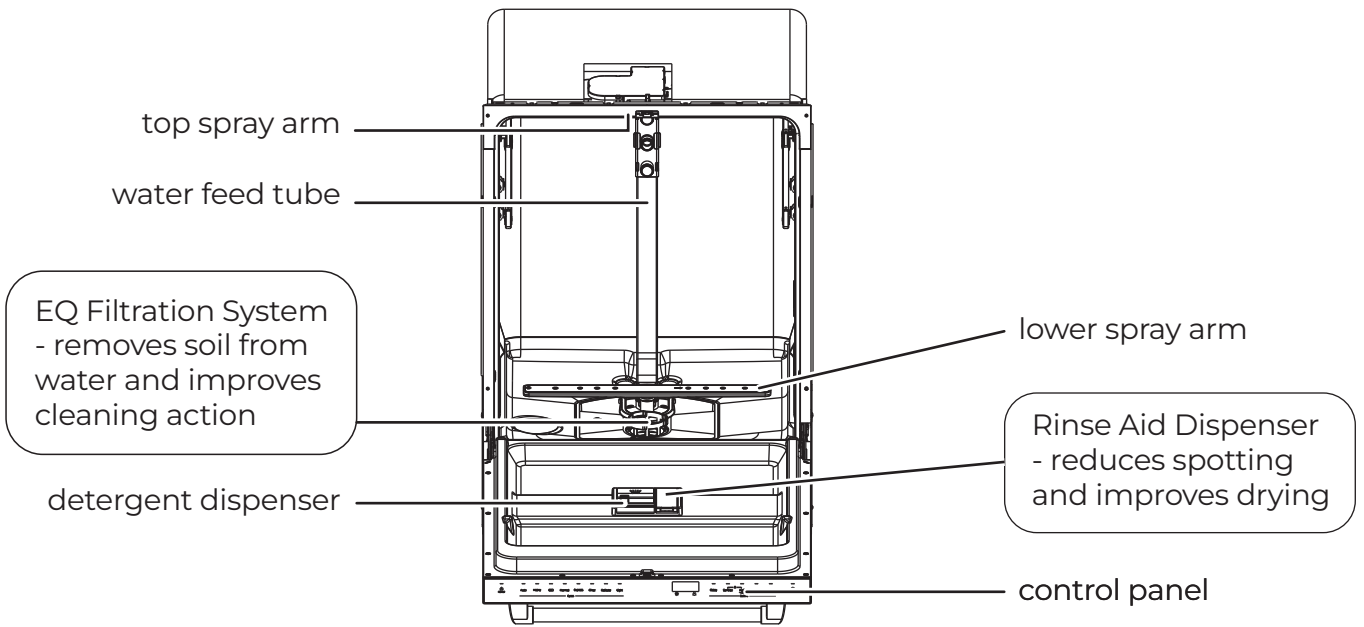
1. This device may not cause any harmful interference.
2. This device must accept any interference received, including interference that may cause undesired operation.

NOTE - This equipment has been tested and found to comply with the limits for a Class B digital device, pursuant to Part 15 of the FCC Rules. These limits are designed to provide reasonable protection against harmful interference in a residential installation. This equipment generates, uses, and can radiate radio frequency energy, and if not installed and used in accordance with the instruction, may cause harmful interference to radio communications. However, there is no guarantee that interference will not occur in a particular installation.

If this equipment does cause harmful interference to radio or television reception, which can be determined by turning the equipment off and on, the user is encouraged to try to correct the interference by one or more of the following measures:

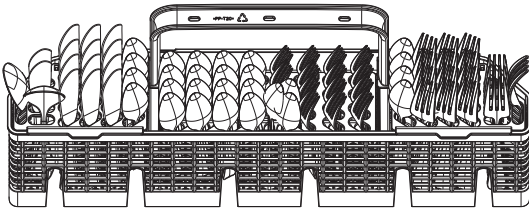
- Reorient or relocate the receiving antenna.
- Increase the separation between the equipment and receiver.
- Connect the equipment into an outlet on a circuit different from that to which the receiver is connected.
- Consult the dealer or an experienced radio/TV technician for help.

KNOW YOUR DISHWASHER



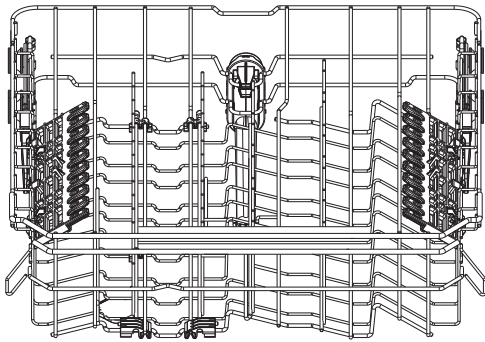
KNOW YOUR DISHWASHER

Silverware basket



- Use the suggested loading patterns for best results.
- Separate silverware using the slots in the cover for optimal cleaning.
- If the silverware does not fit in the slots, rotate basket covers upward to remove. Mix utensil types and load knives pointing down, forks up, and spoons alternating for better separation.

Flexible Fold-Down Tines



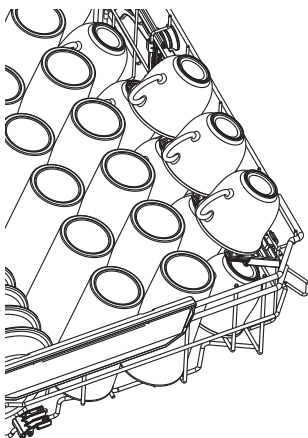
- Flexible tines in the upper rack fold down to make space for large, bulky items such as pots, pans, and mixing bowls.
- To lower the tines, gently push them out of their holders and down towards the center of the rack until they lay flat.

Sliding Bowl Tines



- Sliding tines in the lower rack can be moved backwards or forwards to accommodate larger or oddly-shaped items.

Stack-Rack/Cup Shelves with Stemware Holder



- Cup shelves on both sides of the upper rack fold down over smaller mugs or cups to allow you to load additional items on top.
- The notches in the cup shelves can also be used to secure wine glasses or stemware.

KNOW YOUR CONTROLS



Smart Wash

Heavy Duty

Eco

Normal

Delicate

Express

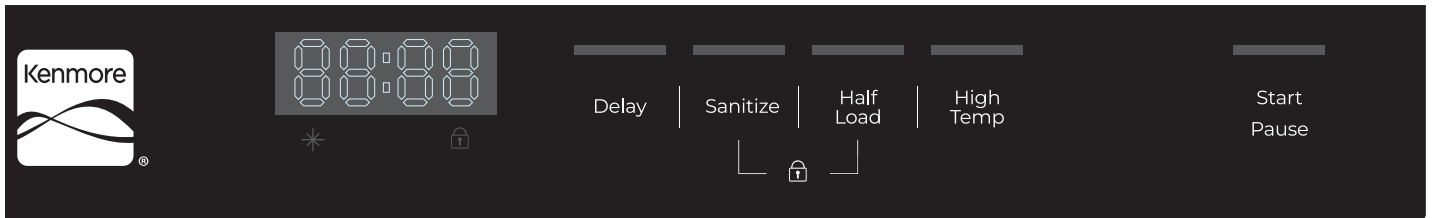
Glass


Quick Rinse



CONTROL	DESCRIPTION
	Power On/Off: Press to turn on the dishwasher. Press and hold for 3 seconds to turn off the dishwasher.
Smart Wash	Smart Wash Cycle: Load and soil sensors optimize the cycle settings to achieve the best results for all soil levels using minimal water and energy.
Heavy Duty	Heavy Duty Wash Cycle: Optimized to target the toughest food soils and wash hard-to-clean heavily soiled pots, pans, casseroles, and tableware.
Eco	Eco Wash Cycle: Extends the washing time to save water and energy.
Normal	Normal Wash Cycle: Defaults to the recommended options to achieve the best cleaning results for a full load of dishes with normal amounts of food soil. The energy label is based on the Normal cycle.
Delicate	Delicate Wash Cycle: Optimized for gently cleaning delicate dishes, glasses, and silverware.
Express	Express Wash Cycle: Reduces the wash time for faster results using slightly more water and energy.
Glass	Glass Wash Cycle: Optimized for washing glassware.
Quick Rinse	Quick Rinse Cycle: Rinses only to remove most food residue from dishes, glasses, and silverware that will not be washed right away. NOTE - Do not add detergent.
	Time Display/Clean Indicator: Displays the cycle time and lights up when the cycle ends. Cycle times will vary depending on water temperature, soil level, load size, and selected options.
	Rinse Aid Refill Indicator: Lights up when the rinse aid compartment is empty to remind you to refill it.
	Control Lock Indicator: Lights up when the control lock is activated. When lit, all controls are disabled but the dishwasher door can still be opened/closed. Any button press will result in a “beep beep beep” sound.

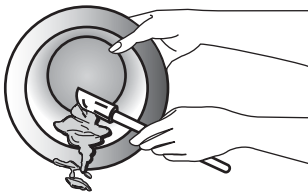
KNOW YOUR CONTROLS



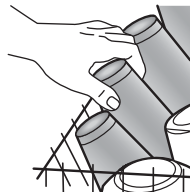
CONTROL	DESCRIPTION
Delay	Delay Start Option: Delays the start of the selected wash cycle from 1-24 hours.
Sanitize	Sanitize Option: Increases the washing temperature of the selected wash cycle for a disinfecting effect.
Half Load	Half Load Option: Optimizes the settings of the selected wash cycle to save water and energy when washing a smaller load.
	Control Lock Option: Prevent unauthorized use of the dishwasher or unintended changes during a cycle. Press and hold Sanitize + Half Load for 3 seconds to activate. Press and hold Sanitize alone for 3 seconds to deactivate.
High Temp	High Temp Option: Increases the rinsing temperature of the selected wash cycle for more efficient drying.
Start/Pause	Start/Pause Cycle: Press to start or resume a cycle. If the door is opened or the power interrupted during operation, the cycle will stop and the Start indicator light will flash. To resume the cycle, close the door and press START/PAUSE again.

QUICK START GUIDE

1. Prepare and load dishwasher.

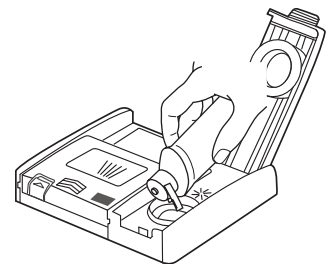
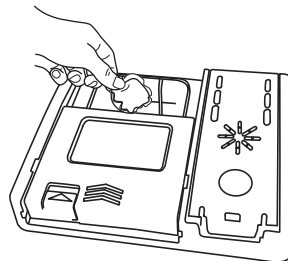


Scrape off excess food into garbage or food dispenser.



Load dishes so that water spray will reach every surface.

2. Add detergent and rinse aid.



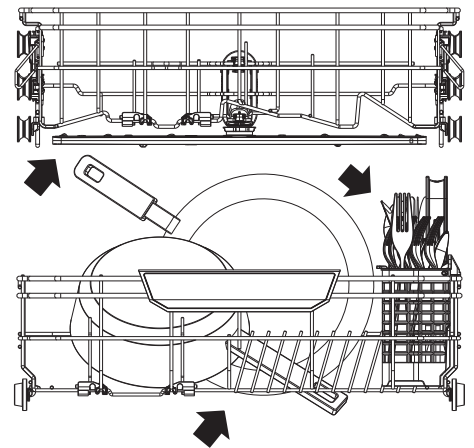
3. Select cycle and options

4. Press 'START/PAUSE'

OPERATING INSTRUCTIONS

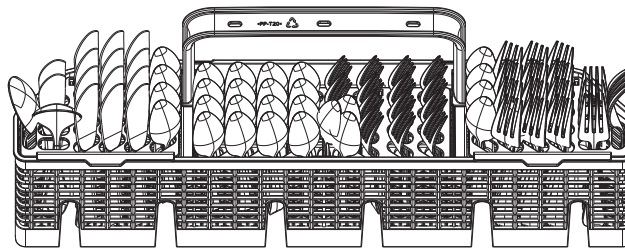
STEP 1 - Prepare and load the dishwasher

1. Remove leftover food, bones, toothpicks, and other hard items from all dishes. It is not necessary to hand-wash dishes before loading. Remove labels from containers before washing.
2. After loading, check that nothing is blocking the upper or lower spray arms and that nothing will prevent the detergent dispenser from opening when the dishwasher door is closed.



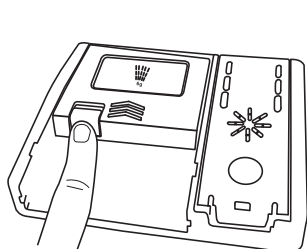
FOR BEST RESULTS

- Heavily soiled items should be loaded with the soiled surfaces facing down and inward towards the spray.
- Avoid overlapping items such as bowls or plates that may trap food.
- Place plastics, small plates and glasses in the upper rack. Only wash plastic items that are labeled "dishwasher-safe."
- To prevent thumping/clattering noises during operation, load dishes so they do not touch one another.
- Ensure that lightweight items are secured in racks.
- When loading silverware, always place sharp items pointing down.
- Use the slots in the basket covers and follow the suggested loading patterns to keep silverware separated. If you are not using the slots, alternate items in each section of the basket with some pointing up and some down to prevent nesting as spray cannot reach nested items.

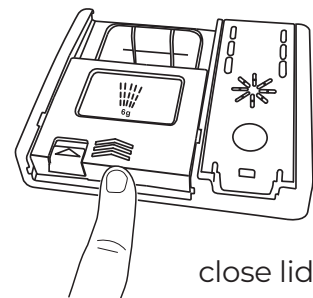
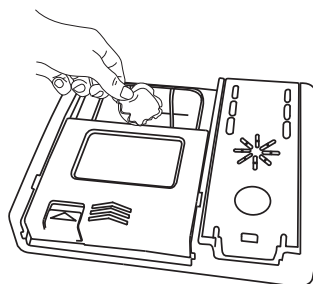


STEP 2 - Add detergent

1. Press the latch release with your finger to open the lid of the detergent dispenser and add a premeasured dishwasher detergent tablet or pack, 2 tbsp of powdered dishwasher detergent, or 30 mL of liquid dishwasher detergent.
2. Slide the lid of the detergent dispenser forward until it latches shut.



open lid



close lid

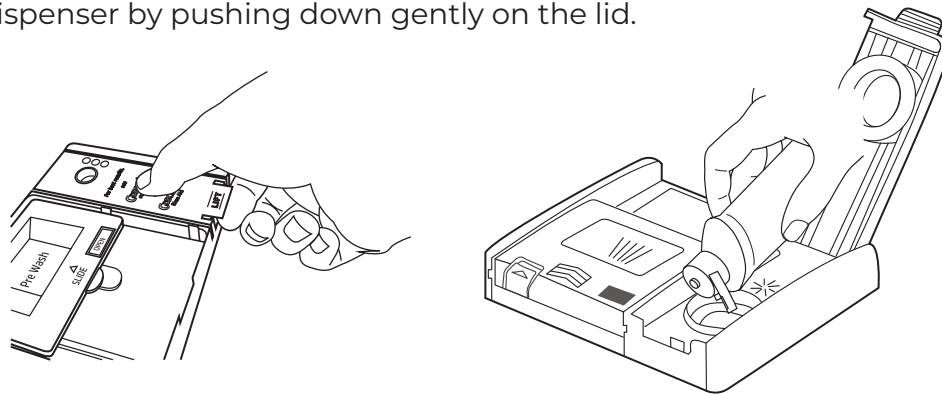
OPERATING INSTRUCTIONS

FOR BEST RESULTS

- Use only high-quality detergent designed specifically for automatic dishwashers.
- Always use fresh detergent with no clumps. Store detergent in a tightly closed container in a cool dry place to maintain freshness.
- Always place premeasured detergents in the detergent dispenser compartment and close the lid.
- Follow instructions on the package to ensure that you are using the correct amount of dishwasher detergent.
- Add detergent just before starting a cycle.
- Extremely hard water (15 grains per US gallon or higher) can leave mineral deposits that can damage your dishwasher and make it difficult to achieve good cleaning results. A water softener is recommended to prevent damage and achieve optimal results.

STEP 3 - Add rinse aid

1. Open the rinse aid dispenser by gently pushing in the centre of the lid with your thumb and pulling up on the edge.
2. Pour rinse aid into the opening until the dispenser is full. Do not overfill. The dispenser holds 5 oz (150 mL) of rinse aid, which will last 1-3 months under most conditions.
NOTE - The indicator reads the correct fill level when the dishwasher door is completely open.
3. Clean up any spilled rinse aid. Spilled rinse aid can create excessive suds and cause your dishwasher to malfunction.
4. Close the dispenser by pushing down gently on the lid.



FOR BEST RESULTS

- Your dishwasher is designed to use rinse aid. The use of rinse aid greatly improves drying by allowing water to drain from the dishes after the final rinse. Rinse aid also keeps water from forming droplets that can dry as spots or streaks.

STEP 4 - Select cycle and options

1. Select your desired cycle using the control panel on the front of the dishwasher. See the "Know Your Controls" section for cycle and option descriptions. See the "Wash Cycle Information" section for specific information about water temperature and estimated cycle times.
2. Add your desired options using the control panel.
3. Press DELAY to delay the start of washing, if desired. Each time you press DELAY, the delay time will increase by 30 minutes. Press and hold DELAY for 1 second to increase by 1 hour. Wait 5 seconds or press START to confirm and enter delay mode.

OPERATING INSTRUCTIONS

STEP 5 - Start or Pause a cycle

1. Ensure that the door is closed properly, and press START to begin the cycle. If the door is opened for longer than 4 seconds at any time after the cycle is started (including during Delay time), you will need to press START again to resume.

NOTE - If the door is not closed properly within 4 seconds of pressing START, the START button light will flash and the cycle will not start.

CANCELING OR CHANGING A CYCLE

To cancel a cycle, press and hold START for 5 seconds. After 60 seconds, the dishwasher will drain and then shut down. To turn off the dishwasher, press and hold POWER ON/OFF button for 3 seconds.

To interrupt a cycle and restart from the beginning with a new cycle:

1. Press and hold POWER ON/OFF button for 3 seconds to turn off the dishwasher.
2. Press POWER ON/OFF button again to turn the dishwasher back on.
3. Select your new cycle and options and press START.

ADDING A DISH

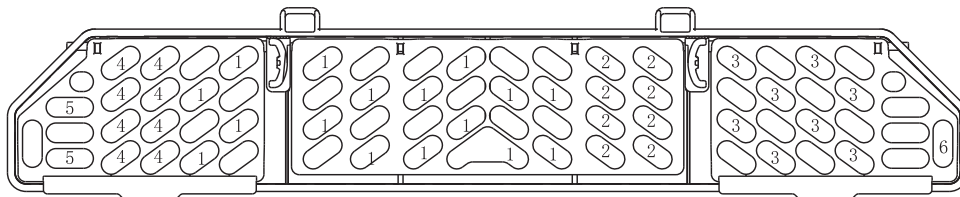
To add a dish after the cycle has started:

1. Press START to pause the cycle and open the door slightly.
2. Wait for the spraying action to stop and then open the door completely.
3. Check if the detergent dispenser cover is still closed. If it is still closed, add the dish, close the door, and press START to resume the cycle.

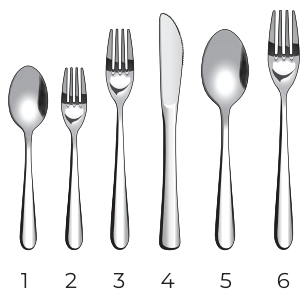
NOTE - If the detergent dispenser cover is open, the wash cycle has already started and adding a dish is not recommended.

LOADING PATTERNS

8-Place Loading Pattern



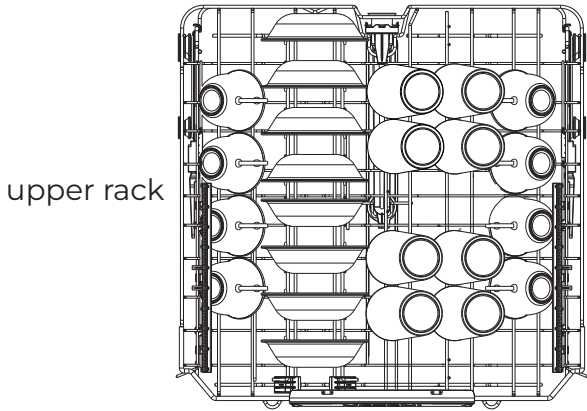
silverware basket



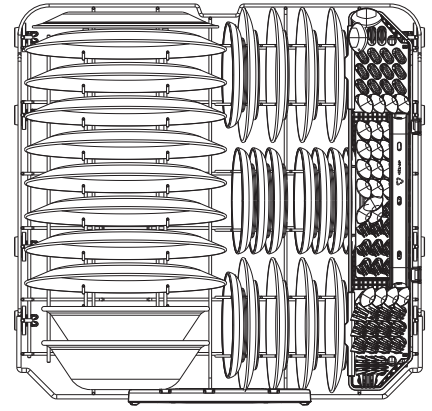
1. Teaspoon
2. Salad fork
3. Dinner fork
4. Knife
5. Serving spoon
6. Serving fork

LOADING PATTERNS

8-Place Loading Pattern (cont.)



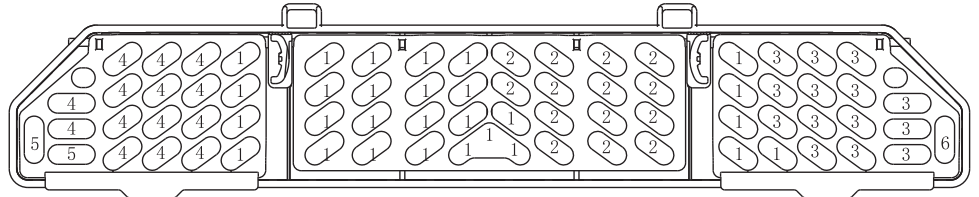
upper rack



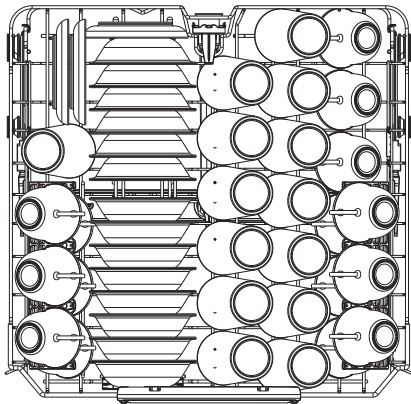
lower rack

14-Place Loading Pattern

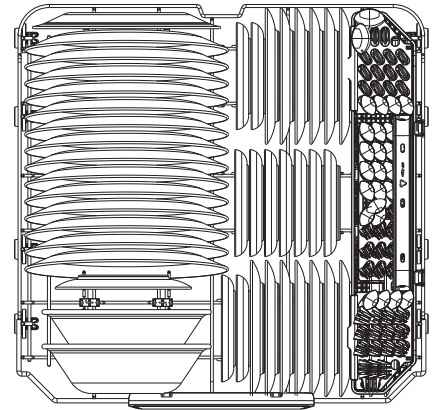
- 1. Teaspoon
- 2. Salad fork
- 3. Dinner fork
- 4. Knife
- 5. Serving spoon
- 6. Serving fork



silverware basket

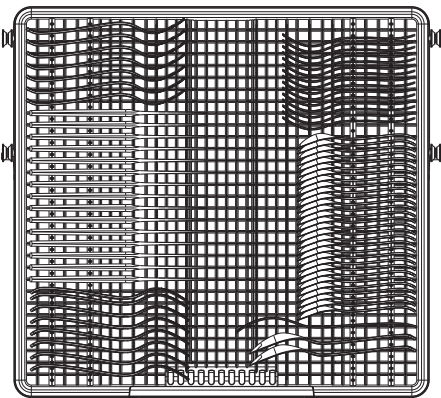


upper rack

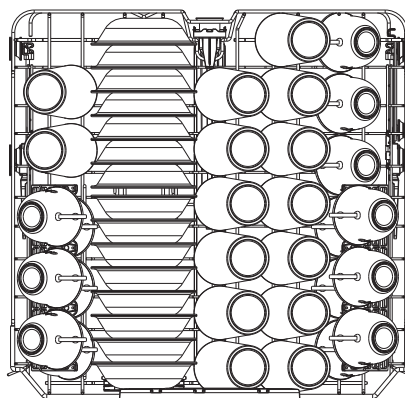


lower rack

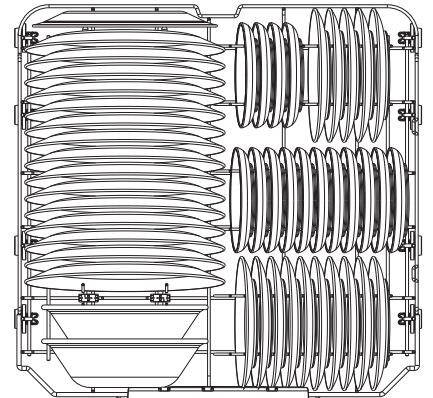
15-Place Loading Pattern



silverware basket



upper rack



lower rack

CARE AND MAINTENANCE

To keep your dishwasher in peak operating condition, we recommend regularly cleaning the interior and exterior using the cleaning instructions in this manual. Check the condition of the filter assembly and spray arms and clean them at least once a month. Do not use corrosive or abrasive cleansers or scouring pads that could scratch the dishwasher's surface.

NOTE - Always let the dishwasher cool down completely before cleaning.

CLEANING THE EXTERIOR

Clean the exterior of the dishwasher with a soft, damp cloth and mild detergent. If your dishwasher has a stainless steel exterior, we recommend using a cleaning product designed for stainless steel. Do not use abrasive cleansers or scouring pads that could damage the finish.

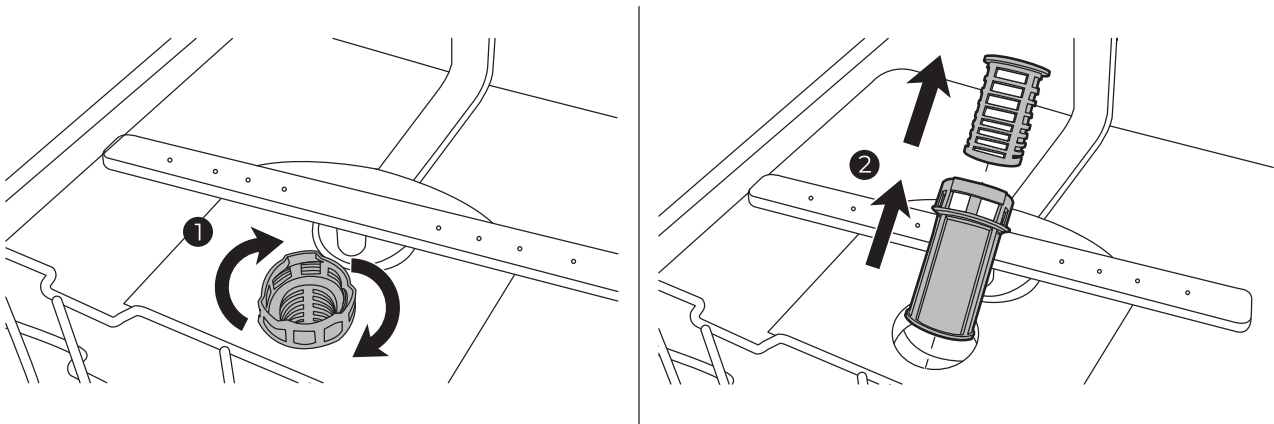
CLEANING THE INTERIOR

Wipe the interior of the dishwasher with either liquid dishwasher detergent or a paste of powdered dishwasher detergent and water on a damp sponge.

CLEANING THE FILTER ASSEMBLY

WARNING! Never operate the dishwasher without the filter assembly in place. Doing so could damage the internal components.

1. Remove the lower rack from the dishwasher.
2. Holding the top of the filter assembly, rotate it counterclockwise to loosen (1) and then pull upwards to remove.
3. Pull the inner filter upwards to remove it from the filter assembly (2).



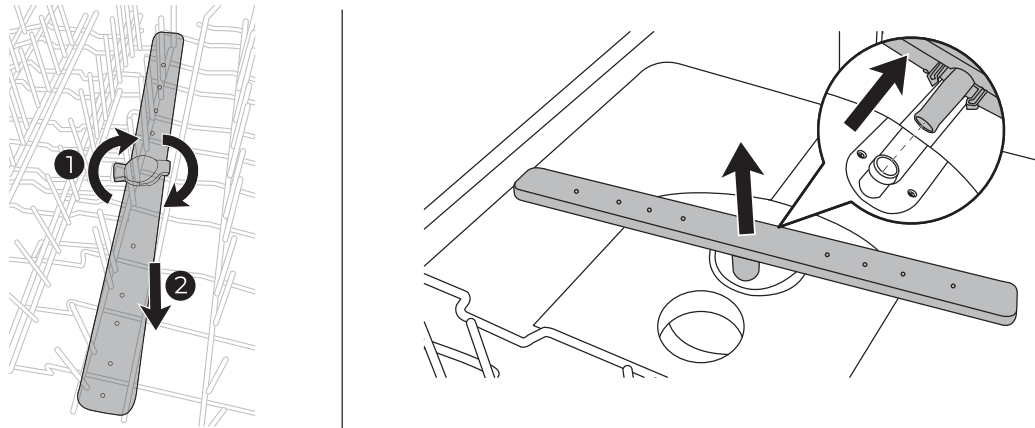
4. Rinse the filters under running water. Use a soft cleaning brush to remove any remaining food residue or debris. Do not use abrasive materials or scouring pads that could damage the filter.
5. Reassemble the filters in the reverse order of disassembly. Replace the filter assembly in the dishwasher and rotate clockwise to tighten it. Take care not to overtighten.

NOTE - Make sure the filter assembly is installed securely to prevent debris from entering the appliance but do not overtighten.

CARE AND MAINTENANCE

CLEANING THE SPRAY ARMS

1. To remove the upper spray arm, hold the nut in the center and rotate the upper spray arm counterclockwise (1 & 2).
2. To remove the lower spray arm, pull it straight upwards.
3. Wash the spray arms in warm, soapy water. Use a soft cleaning brush to remove any residue from the jets. Do not use abrasive materials or scouring pads that could damage the spray arm.
4. Rinse the spray arms thoroughly under running water.
5. Reverse the removal process to reinstall the spray arms.



REMOVING HARD WATER SPOTS/FILMING

Even with the use of rinse aid and high quality detergent, hard water may leave spots or film on the inside of your dishwasher. We recommend using one of the following methods once a month to remove white spots/film.

METHOD 1: Vinegar Rinse

1. Place an upright glass measuring cup containing 2 cups (500 mL) of white vinegar in the bottom rack of the dishwasher.
2. Run a Normal cycle. Do not add detergent

NOTE - Vinegar is an acid and can damage parts of your dishwasher if used too frequently. We recommend limiting vinegar rinses to once a month.

METHOD 2: Dishwasher Cleaner

1. Place a dishwasher cleaning tablet in the main wash compartment of the detergent dispenser and close the dispenser.
2. Run a Normal cycle.

LONG-TERM STORAGE

If you will not be using your dishwasher for an extended period, turn off or disconnect the water and power supplies. Make sure the water supply lines are protected against freezing conditions as ice formation in the supply line can increase water pressure and cause damage to your dishwasher and/or home. If you will be storing your dishwasher during winter months, we recommend having it winterized by authorized service personnel. Damage from freezing is not covered by your warranty.

TROUBLESHOOTING GUIDE

NOTE - This troubleshooting guide addresses the most common issues that can be solved by the consumer. If the problem cannot be solved using the suggestions below, contact Koolatron Customer Support. All service or repairs must be performed by qualified and authorized service technicians. Failure to comply will void your warranty.

PROBLEM	POSSIBLE SOLUTIONS
Dishwasher does not run	<p>NOTE - It is normal for the dishwasher to pause several times during a cycle.</p> <p>If the START/PAUSE indicator is flashing:</p> <ul style="list-style-type: none"> • Press START and close the door within 4 seconds. Be sure the door is closed and latched. • Check for items interfering with the wash systems inside the dishwasher, such as: <ul style="list-style-type: none"> - Large items like casserole dishes interfering with the wash system at the back; - Small items or utensils protruding through the bottom or back of the rack; - Tall items hitting the upper rack or spray arm. - Adjust loading as necessary to ensure the door is closed and latched properly. <p>If the START/PAUSE indicator is not flashing:</p> <ul style="list-style-type: none"> - Controls must be awakened after a period of inactivity. Press START or open and close the door before selecting your cycle/option. - If the Control Lock indicator is on, press and hold SANITIZE for 3 seconds to deactivate the control lock. - Check to make sure you have selected a cycle. - Check if there is power to the dishwasher. If there is no power, check if a circuit breaker or fuse has been tripped. <p>If indicators other than START/PAUSE are blinking and the dishwasher will not run, you will need to call for service.</p>
Detergent remains in the dispenser or tablet is on the bottom of the tub	<ul style="list-style-type: none"> • Check for large items such as cookie sheets, cutting boards, or casserole dishes that may be preventing the detergent dispenser from opening properly and reposition them. • Ensure that your detergent is fresh, dry, and free of lumps. • If the cycle is not finished, resume it by closing the door and pressing START/PAUSE.
Cycle runs too long	<p>NOTE - It is normal for efficient dishwashers to have cycles that run for up to 3 hours as a longer cycle uses less water and energy.</p> <ul style="list-style-type: none"> • Some options will add more time to the cycle. See the “Know Your Controls” section. • The dishwasher will take longer to heat cooler water. To reduce this delay: <ul style="list-style-type: none"> - Set your water heater to at least 120°F (49°C). - Run hot water at a faucet close to the dishwasher before starting the cycle.

TROUBLESHOOTING GUIDE

PROBLEM	POSSIBLE SOLUTIONS
Dishes are not dry	<ul style="list-style-type: none"> - Plastic and non-stick surfaces have porous surfaces that tend to collect water droplets and may require towel drying. - Check if the rinse aid compartment needs refilling. - Improper loading of items can affect drying performance. See the “Loading Patterns” section. - Items such as glasses and cups with concave bottoms hold water which may spill onto other items while unloading. Position these items on the more slanted side of the rack and unload the bottom rack first for better results.
Dishwasher will not fill	<ul style="list-style-type: none"> - Ensure that the water supply to the dishwasher is turned on. - Check for large items such as cookie sheets, cutting boards, or casserole dishes that may be preventing the detergent dispenser from opening properly or any items obstructing the spray arm and reposition them. - Check for suds in the dishwasher. If foam or suds are detected, the dishwasher may not fill with water or operate properly.
Water remains in the tub/will not drain	<ul style="list-style-type: none"> - Check if the cycle has finished. If it has not, resume the cycle by pressing START and closing the door within 4 seconds. - If the dishwasher is connected to a food waste disposal, ensure that the knockout plug is not in the disposal inlet. - Check for food waste or other obstructions in the drain. - Check for blockages or kinks in the drain hose. - Check if there is power to the dishwasher. If there is no power, check if a circuit breaker or fuse has been tripped.
Damaged dish-ware	<ul style="list-style-type: none"> - Improper loading can result in dishes becoming chipped or damaged. See the “Loading Patterns” section.
White residue (hard water) on dishwasher interior or glassware	<p>NOTE - Mineral deposits from hard water can damage your dishwasher and impact cleaning performance. A water softener is strongly recommended if your hardness is 15 grains or more.</p> <p>If you do not have a water softener, the following steps may help:</p> <ul style="list-style-type: none"> - Always use a rinse aid and fresh, high-quality detergent. - Clean and descale your dishwasher once a month using a cleaner designed specifically for dishwashers. - Use a detergent booster/water softening additive specifically designed for dishwashers.
Dishwasher has an unpleasant odor	<ul style="list-style-type: none"> - Food residue on plates may produce an odor if the dishwasher is not used daily. You can run a Rinse cycle on the partial load to remove excess residue while you wait for a full load. - Use a vinegar rinse to remove odor-causing residue from the drain system: Place an upright glass measuring cup containing 2 cups (500 mL) of white vinegar in the bottom rack and run a Normal cycle. Do not add detergent. - If the odor remains after the vinegar rinse, the dishwasher may not be draining properly. See “Water remains in the tub/will not drain,” above.

TROUBLESHOOTING GUIDE

PROBLEM	POSSIBLE SOLUTIONS
Unusual noises	<p>NOTE - Certain noises are part of the dishwasher's normal operation, including:</p> <ul style="list-style-type: none"> - Surging sounds while the dishwasher is draining. - Water valve hissing may be heard periodically. - A snapping sound when the detergent dispenser opens. - Indicator and sound when the door unlocks automatically at the end of the cycle. <ul style="list-style-type: none"> • Improper installation can affect noise level. Ensure that the dishwasher and all filters are correctly installed. • A thumping sound may be caused by items extending beyond the racks and interfering with the spray arms. Reposition the items and resume the cycle.
Food soil remains on dishes	<ul style="list-style-type: none"> • Improper loading can greatly decrease washing performance. See the "Loading Patterns" section. • Select the proper cycle and options for the type of soils. Use the Heavy cycle with the Hi Temp option for tougher loads. See the "Know Your Controls" section. • Ensure that your water heater is set to at least 120°F (49°C). • Use the correct amount of fresh detergent. Heavily soiled loads and hard water conditions require more detergent. • Scrape food from dishes before loading (do not pre-rinse).
Dishes still dirty/ cycle not complete/suds in dishwasher	<ul style="list-style-type: none"> • If no water is present in the dishwasher at any time during a heated wash cycle, the cycle will stop and the display screen will remain dark. See "Dishwasher will not fill," above. • If foam or suds are detected by the dishwasher sensors, the dishwasher may not fill with water or operate properly. Suds can result from: <ul style="list-style-type: none"> - Using detergent not intended for dishwashers, such as dish soap, hand soap, or laundry detergent. - Not replacing the rinse aid dispenser cap after filling. - Using an excessive amount of dishwasher detergent or using too much detergent in soft water conditions. - Hand-washing dishes and then placing them in the dishwasher without rinsing off the dish soap.
Flashing indicators	<p>NOTE - Flashing indicators will occur when a cycle is paused or has been interrupted by opening the door.</p> <p>If the dishwasher is not running and the START/PAUSE indicator is flashing, press START/PAUSE and close the door within 4 seconds to resume the cycle.</p> <p>If indicators other than START/PAUSE are blinking and the dishwasher will not run, you will need to call for service.</p>

TROUBLESHOOTING GUIDE

PROBLEM	POSSIBLE SOLUTIONS
Cloudy or spotted dishware	<ul style="list-style-type: none"> • Confirm that the cloudiness is removable by soaking the item in white vinegar for 5 minutes. If it does not come clear, see “Permanent cloudiness (etching) on glassware,” below. • Add or adjust the amount of rinse aid for better drying performance and to reduce spotting. • Use the correct amount of fresh, high-quality detergent. • Ensure that your water heater is set to at least 120°F (49°C). • Try using High Temp and Sanitize options. • Use a vinegar rinse to remove spots. Wash and rinse the affected dishware in the sink and reload into the dishwasher. Place an upright glass measuring cup containing 2 cups (500 mL) of white vinegar in the bottom rack and run a Normal cycle. Do not add detergent.
Permanent cloudiness (etching) on glassware	<p>NOTE - Etching is permanent damage to the surface of glassware caused by one or more of water that is too hot, using too much detergent with soft water, or pre-washing.</p> <p>To avoid further etching:</p> <ul style="list-style-type: none"> - Adjust the detergent amount to match the water hardness. - Do not pre-wash dishes before washing in the dishwasher (detergent needs food soil to act upon).
Water leakage from dishwasher	<ul style="list-style-type: none"> • Ensure that the dishwasher is properly installed and level. • Suds can cause the dishwasher to overflow. See “Dishes still dirty/cycle not complete/suds in dishwasher,” above. Try a different detergent brand if sudsing continues. • To prevent rinse aid from leaking from the dispenser, avoid overfilling and ensure the lid is securely attached.
Discolored tub	<ul style="list-style-type: none"> • High iron content in the water supply can discolor the tub. • Tomato-based foods can discolor the tub and dishware. Rinse excess tomato-based residue from dishes before loading. • Clean stains and discoloration from the tub using a citrus-based cleaner.

ERROR CODES

CODE	MEANING	REASONS	POSSIBLE SOLUTIONS
E1	Abnormal water inlet/water shortage	Water pressure too low	Ensure that the water pressure is between 0.04 and 1.0 MPa.
		Blockage/breakage of inlet hose	Unclog or repair hose.
		Faucet is not turned on	Check if faucet is turned on (you can hear the normal sound reminder when the door opens automatically).
		Others	Contact the manufacturer's after-sales service.
E2	Fault in inlet valve	Inlet valve is not working properly	Contact the manufacturer's after-sales service.
E4	Overflow fault	Using detergent not intended for dishwashers	Contact the manufacturer's after-sales service.
		External water accumulation flowing into dishwasher	Contact the manufacturer's after-sales service.
		Water leaking from dishwasher	Contact the manufacturer's after-sales service.
		Blockage or kink in drain hose, or hose positioned too high	Unclog, unkink, or reposition drain hose.
		Dishwasher installed unbalanced	Adjust the dishwasher so it is properly balanced.
E5	Communication failure	Communication exception	Contact the manufacturer's after-sales service.
E6	Failure in NTC	NTC (Negative Temperature Coefficient) sensor is not working properly	Contact the manufacturer's after-sales service.
E11	Failure in auto-open door	Auto-open door is not working properly	Contact the manufacturer's after-sales service.
E14	Failure in communication of display board	Display board is not working properly	Contact the manufacturer's after-sales service.

WASH CYCLE INFORMATION

PROGRAM	ITEM	DEFAULT	SANITIZE	HALF LOAD	HIGH TEMP.
Smart Wash (super H)	Cycle Time	170 min	181 min	169 min	175 min
	Water (L)	4.76 gal (18L)	4.76 gal (18L)	4.23 gal (16L)	4.76 gal (18L)
	Pre Wash	water inlet temp.	water inlet temp.	water inlet temp.	water inlet temp.
	Main Wash	131°F / 55°C	131°F / 55°C	131°F / 55°C	131°F / 55°C
	Rinse	140°F / 60°C	158°F / 70°C	140°F / 60°C	140°F / 60°C
Smart Wash (H)	Cycle Time	151 min	163 min	150 min	156 min
	Water (L)	3.75 gal (14.2L)	3.75 gal (14.2L)	3.17 gal (12L)	3.75 gal (14.2L)
	Pre Wash	water inlet temp.	water inlet temp.	water inlet temp.	water inlet temp.
	Main Wash	131°F / 55°C	131°F / 55°C	131°F / 55°C	140°F / 60°C
	Rinse	140°F / 60°C	158°F / 70°C	140°F / 60°C	140°F / 60°C
Smart Wash (M)	Cycle Time	144 min	155 min	142 min	152 min
	Water (L)	3.75 gal (14.2L)	3.75 gal (14.2L)	3.17 gal (12L)	3.75 gal (14.2L)
	Pre Wash	water inlet temp.	water inlet temp.	water inlet temp.	water inlet temp.
	Main Wash	122°F / 50°C	122°F / 50°C	122°F / 50°C	140°F / 60°C
	Rinse	158°F / 70°C	158°F / 70°C	140°F / 60°C	140°F / 60°C
Smart Wash (L)	Cycle Time	121 min	132 min	128 min	134 min
	Water (L)	2.88 gal (10.9L)	2.88 gal (10.9L)	2.62 gal (9.9L)	2.88 gal (10.9L)
	Pre Wash	water inlet temp.	water inlet temp.	water inlet temp.	water inlet temp.
	Main Wash	113°F / 45°C	113°F / 45°C	113°F / 45°C	140°F / 60°C
	Rinse	140°F / 60°C	158°F / 70°C	140°F / 60°C	140°F / 60°C
Heavy Duty	Cycle Time	182 min	191 min	181 min	187 min
	Water (L)	5.7 gal (21.6L)	5.7 gal (21.6L)	4.75 gal (18L)	5.7 gal (21.6L)
	Pre Wash	water inlet temp.	water inlet temp.	water inlet temp.	water inlet temp.
	Main Wash	131°F / 55°C	131°F / 55°C	131°F / 55°C	131°F / 55°C
	Rinse	158°F / 70°C	158°F / 70°C	158°F / 70°C	158°F / 70°C

WASH CYCLE INFORMATION

PROGRAM	ITEM	DEFAULT	SANITIZE	HALF LOAD	HIGH TEMP.
Eco	Cycle Time	165 min	177 min	n/a	178 min
	Water (L)	3.01 gal (11.4L)	3.01 gal (11.4L)	n/a	3.01 gal (11.4L)
	Pre Wash	water inlet temp.	water inlet temp.	water inlet temp.	water inlet temp.
	Main Wash	113°F / 45°C	113°F / 45°C	n/a	140°F / 60°C
	Rinse	140°F / 60°C	158°F / 70°C	n/a	140°F / 60°C
Normal (super H)	Cycle Time	161 min	173 min	160 min	166 min
	Water (L)	5.34 gal (20.2L)	5.34 gal (20.2L)	4.75 gal (18L)	5.34 gal (20.2L)
	Pre Wash	water inlet temp.	water inlet temp.	water inlet temp.	water inlet temp.
	Main Wash	131°F / 55°C	131°F / 55°C	131°F / 55°C	140°F / 60°C
	Rinse	140°F / 60°C	158°F / 70°C	140°F / 60°C	140°F / 60°C
Normal (H)	Cycle Time	142 min	154 min	141 min	147 min
	Water (L)	3.54 gal (13.4L)	3.54 gal (13.4L)	3.17 gal (12L)	3.54 gal (13.4L)
	Pre Wash	water inlet temp.	water inlet temp.	water inlet temp.	water inlet temp.
	Main Wash	131°F / 55°C	131°F / 55°C	131°F / 55°C	131°F / 55°C
	Rinse	140°F / 60°C	158°F / 70°C	158°F / 70°C	158°F / 70°C
Normal (M)	Cycle Time	129 min	140 min	128 min	137 min
	Water (L)	3.54 gal (13.4L)	3.54 gal (13.4L)	3.17 gal (12L)	3.54 gal (13.4L)
	Pre Wash	water inlet temp.	water inlet temp.	water inlet temp.	water inlet temp.
	Main Wash	122°F / 50°C	122°F / 50°C	122°F / 50°C	140°F / 60°C
	Rinse	140°F / 60°C	158°F / 70°C	140°F / 60°C	140°F / 60°C
Normal (L)	Cycle Time	112 min	113 min	111 min	125 min
	Water (L)	2.67 gal (10.1L)	2.67 gal (10.1L)	2.38 gal (9L)	2.67 gal (10.1L)
	Pre Wash	water inlet temp.	water inlet temp.	water inlet temp.	water inlet temp.
	Main Wash	113°F / 45°C	113°F / 45°C	113°F / 45°C	140°F / 60°C
	Rinse	140°F / 60°C	158°F / 70°C	140°F / 60°C	140°F / 60°C

WASH CYCLE INFORMATION

PROGRAM	ITEM	DEFAULT	SANITIZE	HALF LOAD	HIGH TEMP.
Delicate	Cycle Time	134 min	146 min	133 min	147 min
	Water (L)	3.7 gal (14L)	3.7 gal (14L)	3.17 gal (12L)	3.7 gal (14L)
	Pre Wash	water inlet temp.	water inlet temp.	water inlet temp.	water inlet temp.
	Main Wash	113°F / 45°C	113°F / 45°C	113°F / 45°C	140°F / 60°C
	Rinse	140°F / 60°C	158°F / 70°C	140°F / 60°C	140°F / 60°C
Express	Cycle Time	75 min	n/a	n/a	n/a
	Water (L)	2.8 gal (10.5L)	n/a	n/a	n/a
	Pre Wash	113°F / 45°C	n/a	n/a	n/a
	Main Wash	n/a	n/a	n/a	n/a
	Rinse	122°F / 50°C	n/a	n/a	n/a
Glass	Cycle Time	40 min	n/a	n/a	n/a
	Water (L)	2.8 gal (10.5L)	n/a	n/a	n/a
	Pre Wash	113°F / 45°C	n/a	n/a	n/a
	Main Wash	n/a	n/a	n/a	n/a
	Rinse	122°F / 50°C	n/a	n/a	n/a
Quick Rinse	Cycle Time	20 min	n/a	n/a	n/a
	Water (L)	0.92 gal (3.5L)	n/a	n/a	n/a
	Pre Wash	n/a	n/a	n/a	n/a
	Main Wash	n/a	n/a	n/a	n/a
	Rinse	n/a	n/a	n/a	n/a

WARRANTY

1 Year
Limited Warranty

WITH PROOF OF ORIGINAL SALE, the following warranty coverage applies when this appliance is correctly installed, operated and maintained according to all supplied instructions.

One Year Limited Warranty on Appliance

FOR ONE YEAR from the date of original sale this appliance is warranted against defects in material or workmanship. A defective appliance will receive free repair. If the appliance cannot be repaired, it will be replaced free of charge.

All warranty coverage applies for only 90 DAYS from date of original sale if this appliance is ever used for other than private household purposes.

This warranty covers ONLY defects in material and workmanship, and will NOT pay for the exclusions to repair service listed as follows:

1. A service technician to clean or maintain the product.
2. A service technician to instruct the user in correct appliance installation, operation or maintenance.
3. Expendable items that can wear out from normal use within the warranty period.
4. Service calls to correct appliance installation not performed by Kenmore / Koolatron authorized service agents, or to repair problems with house fuses, circuit breakers, house wiring, and plumbing or gas supply systems resulting from such installation.
5. Damage to or failure of this appliance resulting from installation not performed by Kenmore / Koolatron authorized service agents, including installation that was not in accord with electrical, gas or plumbing codes.
6. Damage to or failure of this appliance, including discoloration or surface rust, if it is not correctly operated and maintained according to all supplied instructions.
7. Damage to or failure of this appliance, including discoloration or surface rust, resulting from accident, alteration, abuse, misuse or use for other than its intended purpose.
8. Damage to or failure of this appliance, including discoloration or surface rust, caused by using detergents, cleaners, chemicals or utensils other than those recommended in all instructions supplied with the product.
9. Damage to or failure of this appliance resulting from natural or other catastrophe, such as flood, fire or storm.
10. Damage to or failure of parts or systems resulting from unauthorized modifications made to this appliance.
- 11 . Service to an appliance if the model and serial plate is missing, altered, or cannot easily be determined to have the appropriate certification logo.

Direct all claims for warranty service to Kenmore Customer Assistance, call 1-800-265-8456 or email KenmoreCustomerCare@KC.com

Koolatron Corporation
4320 Federal Drive, Batavia, NY 14020 U.S.A.
139 Copernicus Blvd., Brantford, ON N3P1N4 Canada

Kenmore and the Kenmore logo are registered trademarks to Transform SR Brands LLC and are used under license by Koolatron Corporation

H1S452
04/2026-v3