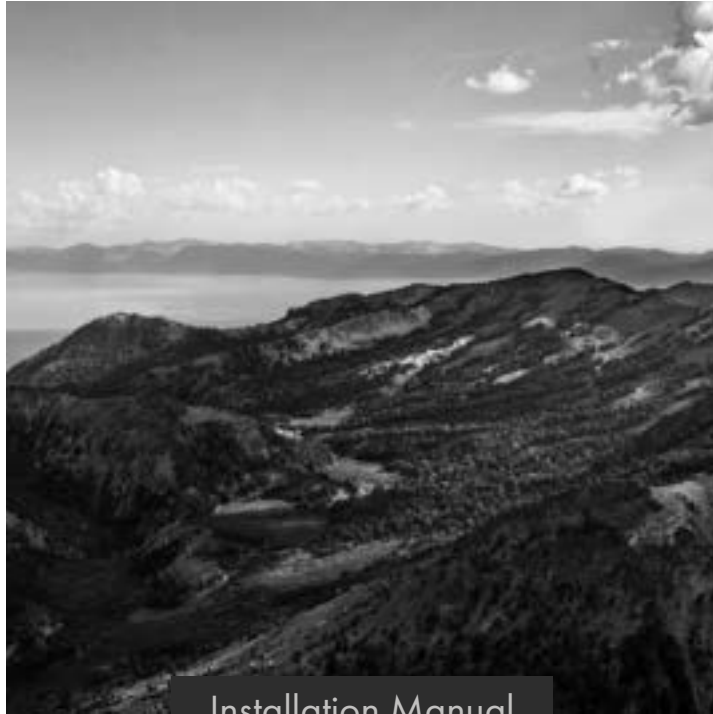


# ZLINE

ATTAINABLE LUXURY<sup>®</sup>



Installation Manual

## **COLUMN REFRIGERATION** **RBCFVL-18, RBCFVR-18,** **RBCFV-24, RBCRV-24, &** **RBCRV-30 MODELS**

[zlinekitchen.com](http://zlinekitchen.com)



ZLINE Kitchen and Bath provides Attainable Luxury, where the kitchen and bath of your dreams is never out of reach. Through our unique designs and unparalleled quality, we're dedicated to providing you an elevated experience in the heart of your home. With an endless selection of features and finishes, our inspiration is your reality.

**ZLINE**  
ATTAINABLE LUXURY®



ZLINE is fueled by a passion for innovation; A relentless pursuit of bringing the highest end luxury designs and professional features into everyone's homes.

Because we continually strive to improve our products, we may change specifications and designs without prior notice.

**Scan the QR code to view the most up-to-date version of the Installation Manual and User Manual.**

**⚠ WARNING:** This product can expose you to chemicals including nickel, which is known to the State of California to cause cancer. For more information, go to [www.P65Warnings.ca.gov](http://www.P65Warnings.ca.gov).

# TABLE OF CONTENTS

IMPORTANT SAFETY INSTRUCTIONS.....	1
BEFORE INSTALLATION.....	9
Tools Required. . . . .	9
Preparation for Installation and Cabinet Cutouts . . . . .	11
Location of the Electrical Wiring . . . . .	13
Location of the Water System . . . . .	14
Product Dimensions . . . . .	18
Door Opening Dimensions . . . . .	19
Detailed Dimensions . . . . .	20
Parts Provided. . . . .	25
INSTALLATION . . . . .	28
Mounting the Anti-Tip Brackets. . . . .	29
Preparing for Placing the Unit into the Cabinet . . . . .	35
Preparing Door Panels . . . . .	54
Installing the Door Panel . . . . .	59
Changing the Direction of the Refrigerator Door . . . . .	69
DUAL CABIN INSTALLATION . . . . .	83
WARRANTY.....	96

# IMPORTANT SAFETY INSTRUCTIONS

## PLEASE READ THIS MANUAL BEFORE INSTALLING AND USING THE PRODUCT

- Always follow the applicable safety instructions.
- The installer should leave these instructions with the consumer who should retain for local inspectors' use and for future reference.
- Please read all other documents provided with this product.
- Please keep in mind this manual may apply to several product models.
- This manual expressly indicates the differences between various models.
- **IMPORTANT:** This is a complex installation procedure that should only be performed by qualified professionals and technicians.
- The manufacturer will not be responsible for any damage to property or to persons caused by incorrect installation, improper use of the appliance, or failure to heed the warnings listed.

Symbols used in the installation manual are as follows.



Important information and useful hints.



WARNING

Conditions that may damage the product or its operating functions.



ATTENTION

Conditions containing serious injury risk.



CAUTION

Conditions containing electric shock risk.

# IMPORTANT SAFETY INSTRUCTIONS



WARNING

## R600A REFRIGERANT

This product contains R600a isobutane refrigerant, which is a very eco-friendly natural gas. However, it is also flammable. Please follow the warnings and installation instructions below:

- If the product has been transported horizontally, you must wait a minimum of 4 hours after standing it upright before plugging it in.
- Cut-out dimensions of the installation area must be suitable to safely fit the product for full installation.
- Dimensions, features, and position of objects used to support and affix the product to this area must be suitable.
- Minimum clearances between product parts and surrounding structures must be suitable.
- Minimum dimensions and proper organization of ventilation holes must be observed.
- The product must be connected to the main power outlet, and corresponding connections of other components must be suitable.
- The product must be able to be disconnected from the power supply if needed after installation.
- The outlet or fuse must be accessible to disconnect the product.
- Extension cables or ungrounded (two-terminal) adapters must not be used with this unit.



ATTENTION

You must wear gloves and eye protectors when installing the product.

You must also take measures against high noise levels when using a drill to drill into the floor or wall.



ATTENTION

Make sure that your product is suitable for your local codes.



ATTENTION

The product must be installed by a qualified technician according to the installation instructions.



WARNING

The product may tip over since it is quite heavy. For this reason, safety precautions must be taken. The doors of the product must be kept closed until it reaches the final install destination, and it must be transported in accordance with the installation instructions.

# IMPORTANT SAFETY INSTRUCTIONS

## DISPOSING OF THE PACKAGING MATERIALS

- The package has been designed to protect the product during transport and shipping. The packaging materials used are designed to not harm the environment and should be recycled after the appliance is installed.
- All plastic packaging materials, bags, etc., must be disposed of safely and kept out of the reach of children.



This Installation Manual has been prepared to help qualified professionals with installation of the appliance. The User Manual provided with the product must also be taken into consideration, as it contains important information about operation and safety. You may get seriously injured and your product may get damaged if you ignore the warnings given in this manual. Please read the following carefully.



Risk of child entrapment. To avoid safety and suffocation risks for children or pets, before you dispose of the appliance, take off the doors and drawers and leave the shelves in place so children or pets may not climb inside.

## COMPLIANCE WITH THE WEEE DIRECTIVE AND DISPOSING OF E-WASTE



- This product conforms to the EU WEEE Directive (2012/19 EU).
  - This product bears a classification symbol for "waste electrical and electronic equipment," otherwise known as WEEE.
  - This product has been manufactured from high-quality parts and materials that can be reused and are suitable for recycling.
- Therefore, do not dispose of the product with normal domestic waste or other waste at the end of its service life.
  - Take it to a collection center for recycling electrical and electronic equipment.
  - Please consult your local government authority to learn about appropriate collection center location.

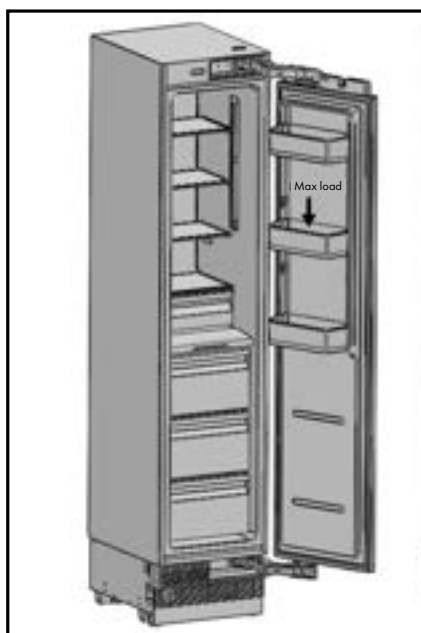
# IMPORTANT SAFETY INSTRUCTIONS

## CLIMATE CLASS

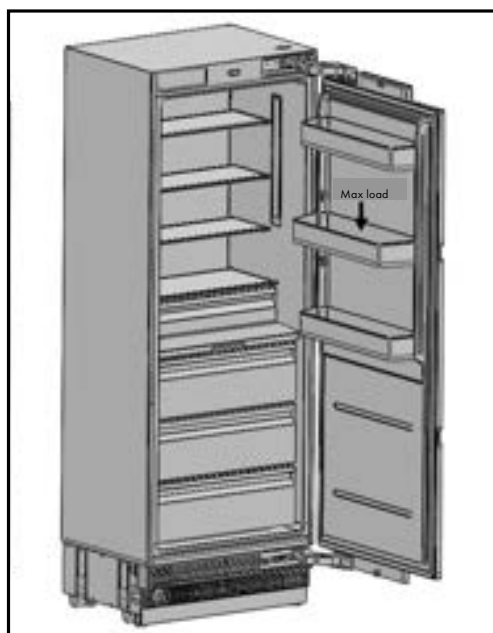
The ambient temperature must be between 61 °F and 90 °F (16 °C and 32 °C). These appliances have been designed to be used in certain climate ranges (ambient temperatures). They must not be used out of this range. Otherwise, function errors may arise when the product is running.

## LOAD BEARING CAPACITY OF THE DOORS

CATEGORY	RBCFVL-18/ RBCFVR-18	RBCFV-24	RBCRV-24	RBCRV-30
MAX LOAD	22 lb (10 kg)	33 lb (15 kg)		



RBCFVL-18/RBCFVR-18



RBCFV-24/RBCRV-24/RBCRV-30



# IMPORTANT SAFETY INSTRUCTIONS

## INSTALLATION ENCLOSURE

You must follow the instructions below:

- The floor on which the product will be installed must be capable of bearing a minimum of 1,200 pounds (544 kilograms).
- The kitchen floor and bottom of the product must be at the same level. Otherwise, the air flow for the unit's cooling system may be impeded or reduced.
- There must be no objects preventing installation of the product to the back and side walls of the product's cut-out installation area.
- The electrical outlet receptacle must be properly located and easily accessed.
- Cut-out dimensions of the cabinets where the product will be installed must be in strict conformity with the dimensions given in this manual.
- Do not install a refrigerator or freezer directly adjacent to another unit unless using the appropriate joining kit. Otherwise, condensation and damage may occur. (Please see "Dual Cabin Installation" on page 10 for imagery.)
- Check if the floor where the product will be installed is level. Use a level when doing so to be sure.
- The installation area must not be subjected to direct sunlight and it must be away from heat sources, such as microwaves, ovens, radiators, etc.
- The ambient temperature must be between 61 °F and 90 °F (16 °C and 32 °C), depending on where the unit is installed. Otherwise, function errors may occur when the product is running.
- If it is not possible to avoid installing the product near a heat source, the minimum clearances given below must be maintained:
  - 2" (51 mm) from electric ranges or ovens.
  - 12" (305 mm) from gas or fuel operated ranges or ovens.

# IMPORTANT SAFETY INSTRUCTIONS

Please observe the following rules:

- The dedicated circuit breaker for this unit must be easily accessible in case of an emergency; it must not be hidden behind the product.
- The electrical plug and cord must not touch the back surface of the product. Otherwise, it may get damaged due to the vibration of the product.
- Do not plug in other appliances behind this product.
- If the humidity level is high where the product is used, corrosion may occur on the outer surface of the product. Keep the area where the unit will be installed dry and well-cleaned to avoid corrosion.



**CAUTION**

To avoid the risk of electric shock:

- Connect the plug to a dedicated grounded electrical outlet.
- Do not remove the ground terminal of the plug.
- Do not use adapters.
- Do not use extension cables or cords.



**ATTENTION**

Do not install your refrigerator or freezer:

- In open areas.
- In environments where water is dripping.
- In environments where temperature is lower than 61 °F (16 °C).

# IMPORTANT SAFETY INSTRUCTIONS



Failure to follow these instructions may result in death, fire, or electric shock. Connecting the grounding conductor of the equipment to an improper place may lead to electric shock. Please have the grounding checked by a qualified electrician or service technician.

Installation, repair, and other procedures performed by unqualified persons may cause danger. Before installing the appliance, make sure that the voltage, load, and circuit current parameters on the data plate are in compliance with the power mains in your house.

The appliance is provided with a NEMA 5-15P plug and a 3-pin power cable, which is UL listed and ready to be connected to a 120 VAC, 60 Hz power supply. The fuse is 15 amps, and the appliance must be connected to a dedicated electrical outlet.

If combining multiple units, ZLINE recommends all be plugged into independent circuits. They can be plugged into the same outlet, but the circuit must have a dedicated 15-amp breaker.

If the electrical wiring or power supply of the house needs alteration, the necessary procedures must be performed by a qualified electrician. The plug must be installed only by a licensed electrician.

## CABINETS

- Make sure that the cabinets where you will install the appliance have been safely mounted in your kitchen. Your cabinets must be securely connected to the floor and walls properly and with suitable connections.
- For the best installation, clearances between the cabinets and the product must be in compliance with the values specified in the installation instructions of this manual.
- Side walls must be free of any obstructions and their surfaces must be flat.
- **NOTE:** Minimum thickness of the side walls is 5/8" (16 mm). The minimum thickness of the doors to be attached to the product must be 3/4" (19 mm). For a 25" (635 mm) flush inset depth, the maximum door panel thickness is 15/16" (24 mm).

# IMPORTANT SAFETY INSTRUCTIONS

## VENTILATION

Ventilation panels where the air enters and exits the unit must not be blocked or obstructed. In addition, you must periodically clean the dust and dirt that accumulates on the vent holes to ensure adequate ventilation.

## ELECTRICAL CONNECTION

- Never use an extension cable or cord with this unit.
- The dedicated electrical outlet receptacle for this unit must be grounded and checked by an authorized electrician.
- The location of the electrical wiring must comply with the dimensions specified in this installation manual.



CAUTION

### RISK OF ELECTRIC SHOCK

Electrical grounding is necessary. This appliance is equipped with a 3-pin plug to protect you against possible electric shocks.

- Do not remove the round grounding terminal from the plug.
- Do not use 2-pin grounding adapters.
- Do not use extension cables or cords to energize the product.



ATTENTION

Do not connect the grounding cable to any gas pipes. Please have the grounding checked by a qualified electrician if you are not sure about the grounding of the product. Do not install a fuse on the neutral line or grounding circuit.



WARNING

Please wait 3-6 hours after installing the unit before plugging it in to protect it against possible damages. This way, the refrigerant and the lubricants in the system are given proper time to balance.

## WATER CONNECTION

The pressure of the main water supply must be in compliance with the values specified in this manual, and the location of the water system must comply with the dimensions specified in this manual.



INFO

Using the provided water filter bypass plug is recommended for the unit's water filtering system if a reverse osmosis system is used. Reference the User Manual for directions on how to install the water filter and/or the bypass plug.

# BEFORE INSTALLATION

## TOOLS REQUIRED

Tools to be used when installing the product are as follows (additional tools that may assist in installation are not listed here):

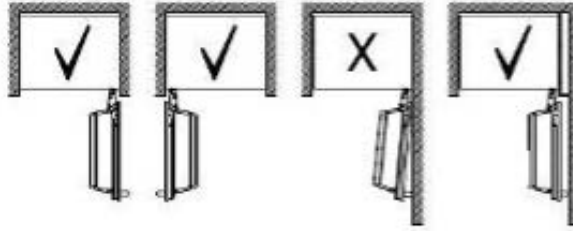
TOOLS REQUIRED (NOT PROVIDED)	
<ul style="list-style-type: none"><li>• Cordless Drill</li><li>• Safety Goggles</li><li>• 1/2" Wrench</li><li>• Hammer</li><li>• Ladder</li><li>• 3/32" Drill Bit</li><li>• 5/16" Drill Bit</li><li>• Box Cutter</li><li>• Socket Wrench</li></ul>	<ul style="list-style-type: none"><li>• Safety Gloves</li><li>• Tape Measure</li><li>• 1/4" Torx Bit</li><li>• 1/4" Flat Wrench</li><li>• 1/4" Hex Bit</li><li>• Level</li><li>• Dolly or Hand Truck</li><li>• Tape</li></ul>

## ALTERNATIVES FOR INSTALLATION

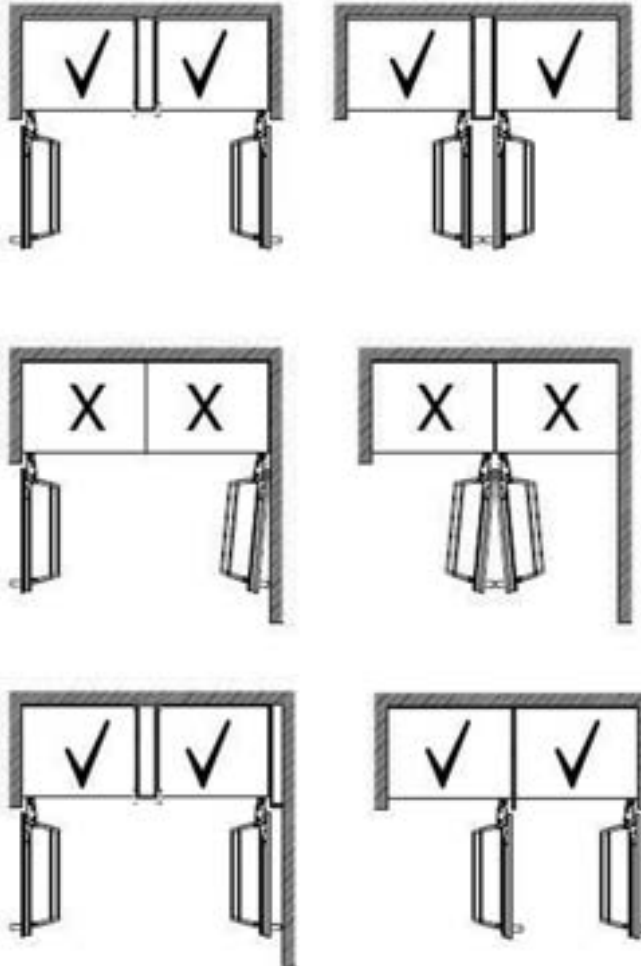
- The product can be placed in various ways based on the kitchen design. It must be installed at a place where it is ensured that the door can be opened and closed properly.
- If the doors cannot be opened 90° at least, you cannot completely open the drawers inside the product. **NOTE:** The unit's hinges are designed to allow doors to open up to 115°.

# BEFORE INSTALLATION

## SINGLE CABIN INSTALLATION METHODS



## DUAL CABIN INSTALLATION METHODS

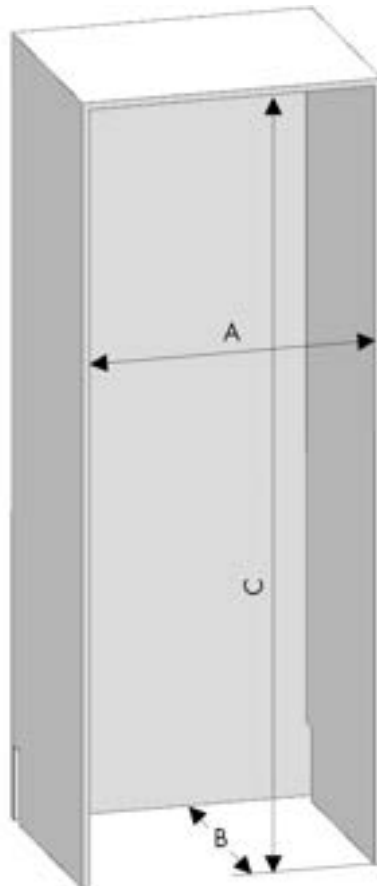


# BEFORE INSTALLATION

## PREPARATION FOR INSTALLATION AND CABINET CUTOUTS

- ZLINE column refrigerators and freezers are panel-ready appliances designed to be a permanent kitchen fixture; therefore, precise cutouts and superior attention to detail are required for seamless integration, especially if custom panels are installed. The most common scenario is the unit is installed between two kitchen cabinets or decorative columns.
- The refrigerator comes with a 2 9/16" (65 mm) stainless steel toe kick installed to fit a standard 84" (2134 mm) tall cabinet.
- **NOTE:** Kitchen layouts may vary, so recommended dimensions must be confirmed by a qualified technician before starting the installation.

Category	RBCFVL-18/RBCFVR-18	RBCFV-24	RBCRV-24	RBCRV-30	
A	Width	18 3/16" (462 mm)	24 3/16" (614 mm)	24 3/16" (614 mm)	30 3/16" (769 mm)
B	Depth	25" (635 mm)	25" (635 mm)	25" (635 mm)	25" (635 mm)
C	Height	84" (2134 mm)	84" (2134 mm)	84" (2134 mm)	84" (2134 mm)

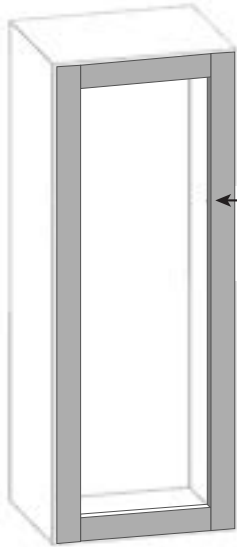


# BEFORE INSTALLATION

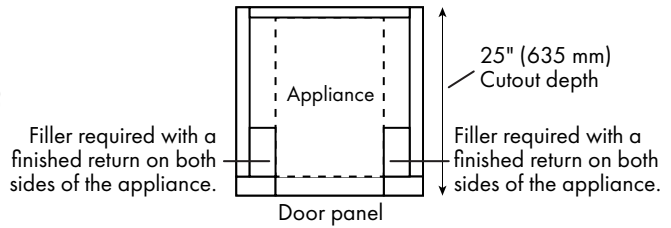
## CABINERY PLANNING

**NOTE:** If you have an existing framed cabinet, you need to add a filler behind the face frame in order to properly mount the side brackets. If you don't have a filler, you'll have a gap and won't be able to safely install your unit(s).

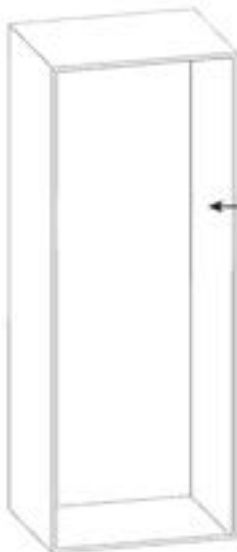
### FRAMED CABINET



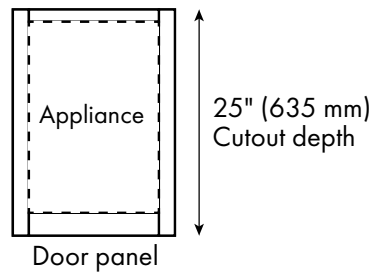
Cabinet door hinges mount to the face frame



### FRAMELESS CABINET



Cabinet door hinges mount to the cabinet interior





# BEFORE INSTALLATION

## LOCATION OF THE ELECTRICAL WIRING

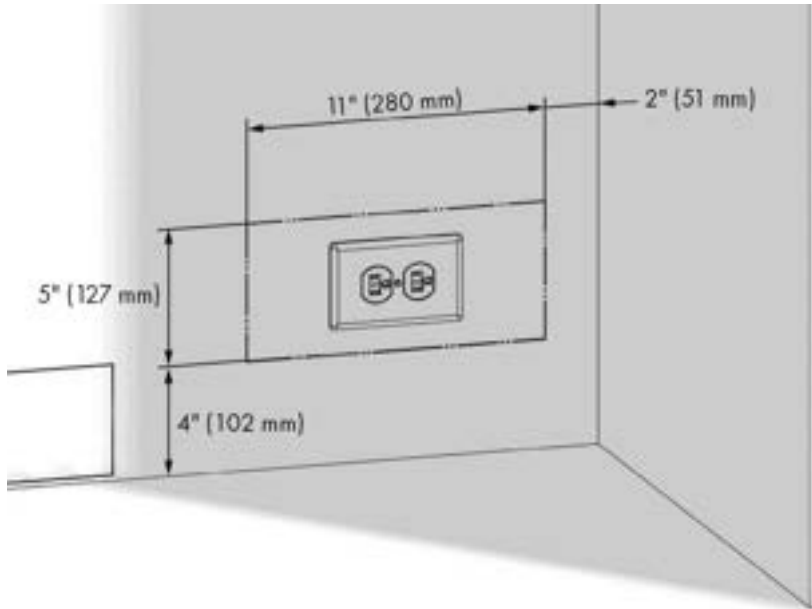
- The location of the electrical outlet must be within the range provided below.
- Using an outlet with a ground fault circuit interrupter (GFCI) is not recommended.



Do not use extension cables or cords or 2-pin adapters, and do not remove the ground terminal of the grounding cable.



A qualified electrician must ensure that the poles of the socket are connected correctly. A qualified electrician must also verify that the grounding of the socket is correct.



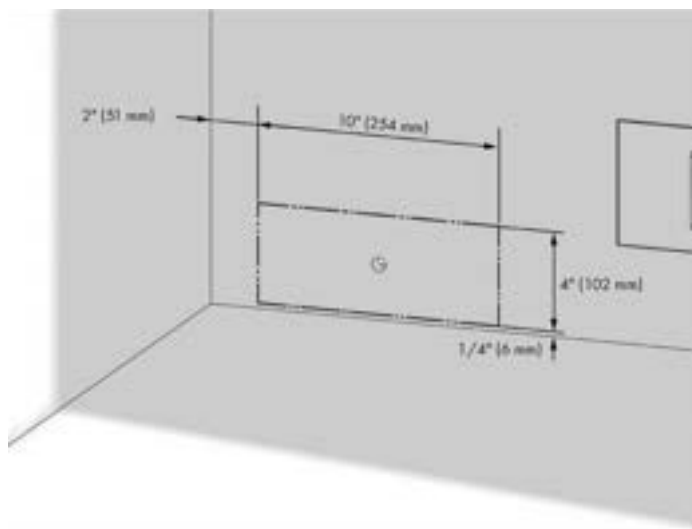
# BEFORE INSTALLATION

## LOCATION OF THE WATER SYSTEM

- The water connected to the unit must be potable.
- The location of the water system must be within the range provided below.
- The unit's water system must be connected to the main water system in the house. **The user must be able to switch the water system on/off with a valve when necessary.**
- Objects that may pierce the water hoses or cause them to twist must not be present where the water line is installed.
- Pressure of the water system must be between 25-80 psi (1.7-5.5 bar).
- If the water pressure exceeds 80 psi (5.5 bar), install a pressure-limiting device or water pressure protector to the inlet valve. Never install or operate the appliance if it's possible for the water pressure to exceed 120 psi (8.3 bar).



- **Make sure there is no leakage when making water connections. Otherwise, there will be water on the floor and the cabinets may get damaged.**
- You will need a hose with a minimum length of 60" (1524 mm) and a diameter of 1/4" (6 mm) for water connections of the product during installation.
- A connector that has a thread with an external diameter of 1/4" (6 mm) must be used to connect the hose end to the product.
- Before completing installation, make sure water flows and there is no leakage. Damage may occur if leaks are present.



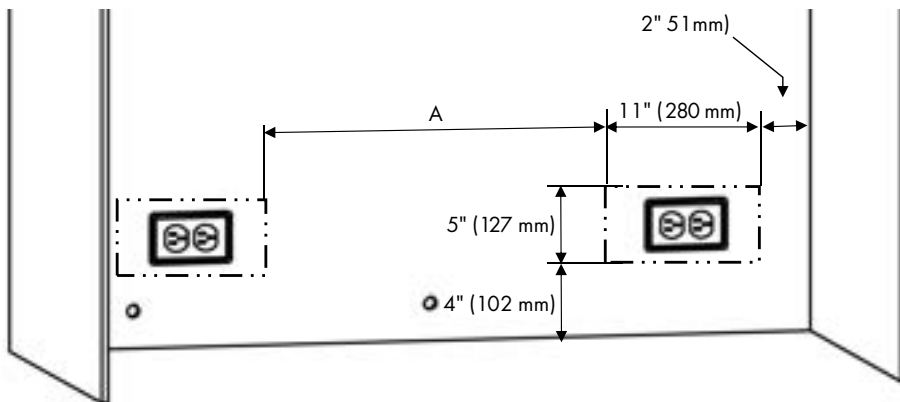
# BEFORE INSTALLATION

## DUAL CABIN ELECTRICAL AND WATER REQUIREMENTS

- Each appliance is provided with a NEMA 5-15P plug and a 3-pin power cable designed to be connected to a 120 VAC, 60 Hz power receptacle.
- Therefore, we recommend both units be plugged into independent circuits. They can be plugged into the same outlet, but please note the circuit must have a dedicated 15-amp breaker that is not shared with any other appliance to avoid exceeding the combined power requirements.
- From a water standpoint, while both units also come with their own water supply, a qualified technician can easily tee off the water supply to provide water to both units if the customer desires.
- Refer to the diagrams below and on the following page, and please refer to the earlier sections for additional information for electrical and water requirements and other installation needs.

## ELECTRICAL LOCATION

- Location of electrical wiring must be within the range given below.
- Using an outlet with a ground fault circuit interrupter (GFCI) is not recommended.



Category	18" + 24"	18" + 30"	24" + 24"	24" + 30"	30" + 30"
A	13" (330 mm)	19" (482 mm)	13" (330 mm)	19" (482 mm)	19" (482 mm)



**Do not use extension cables or two-pin adapters and do not remove the ground terminal of the grounding cable.**



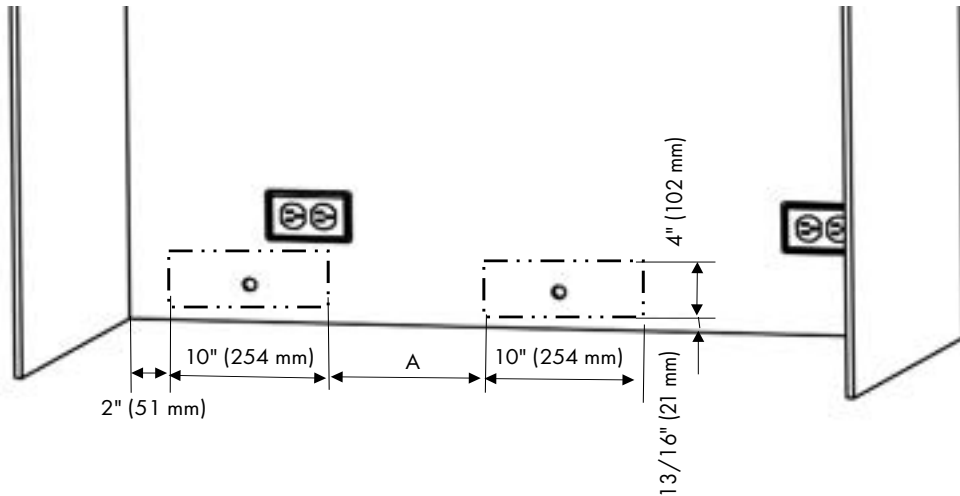
**A qualified electrician must ensure that the poles of the socket are connected correctly and that the appliance is properly grounded.**

# BEFORE INSTALLATION

## DUAL CABIN WATER SYSTEM LOCATION



- Make sure there is no leakage when making water connections. Otherwise, there will be water on the floor and the cabinets may get damaged.
- You will need a hose with a minimum length of 60" (1524 mm) and a diameter of 1/4" (6 mm) for water connections of the product during installation.
- A connector that has a thread with an external diameter of 1/4" (6 mm) must be used to connect the hose end to the product.
- Before completing installation, make sure water flows and there is no leakage. Damage may occur if leaks are present.



Category	18" + 24"	18" + 30"	24" + 24"	24" + 30"	30" + 30"
A	8" (203 mm)	8" (203 mm)	14" (356 mm)	14" (356 mm)	20" (508 mm)

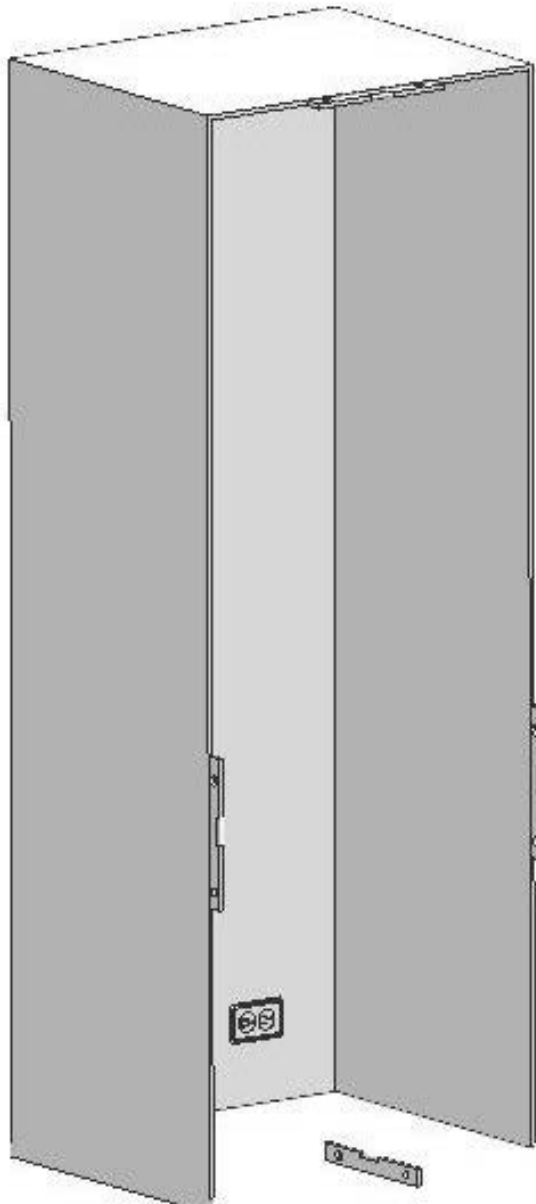
# BEFORE INSTALLATION

## PRODUCT PLACEMENT



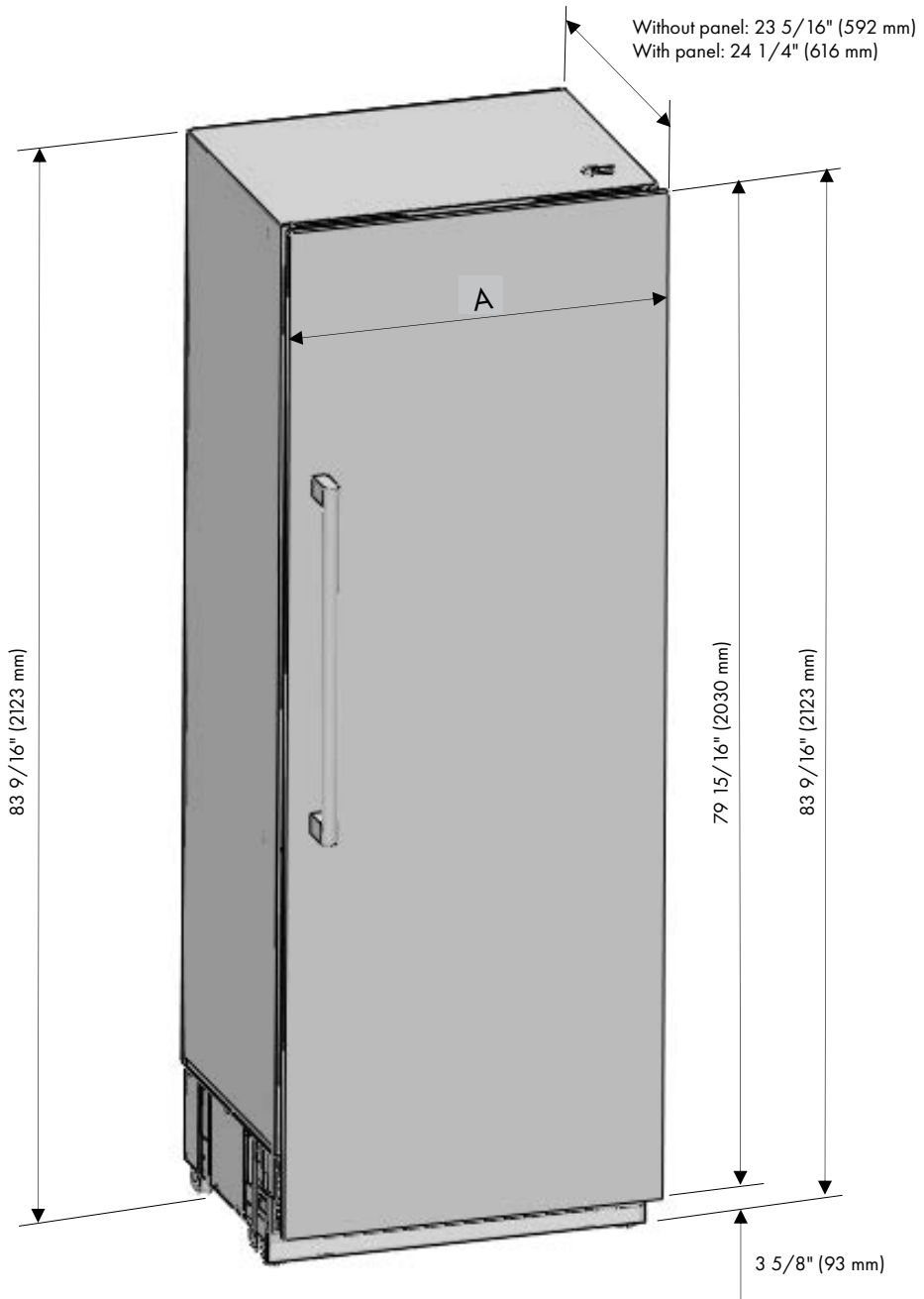
WARNING

- Check if the floor where the appliance will be installed is perfectly level. Use a level as shown below.
- Check if the cabinet flanges are upright and straight using a level.
- If the product is not level and plumb, problems may arise with installation and eventual operation of the unit.



# BEFORE INSTALLATION

## PRODUCT DIMENSIONS



Category	RBCFVL-18/RBCFVR-18	RBCFV-24	RBCRV-24	RBCRV-30
A	17 3/4" (451 mm)	23 3/4" (603 mm)	23 3/4" (603 mm)	29 3/4" (756 mm)

# BEFORE INSTALLATION

## PRODUCT DIMENSIONS

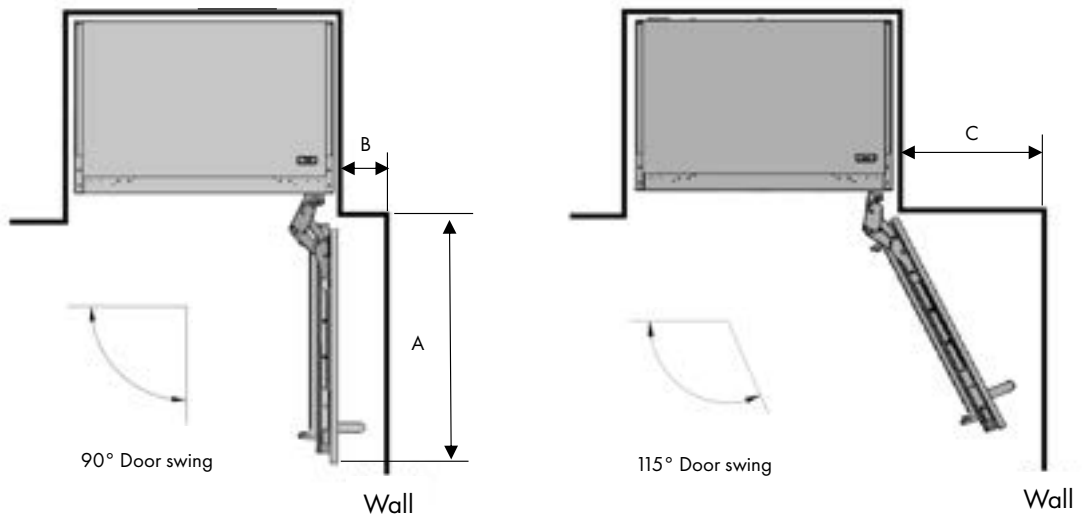
### DOOR OPENING DIMENSIONS

Category	RBCFVL-18/RBCFVR-18	RBCFV-24	RBCRV-24	RBCRV-30
A	20" (508 mm)	26" (660 mm)	26" (660 mm)	32" (813 mm)
B	4 3/8" (110 mm)	4 3/8" (110 mm)	4 3/8" (110 mm)	4 3/8" (110 mm)
C	11" (280 mm)	14" (356 mm)	14" (356 mm)	16" (406 mm)

A: Depth of door (90° open) measured from front of door

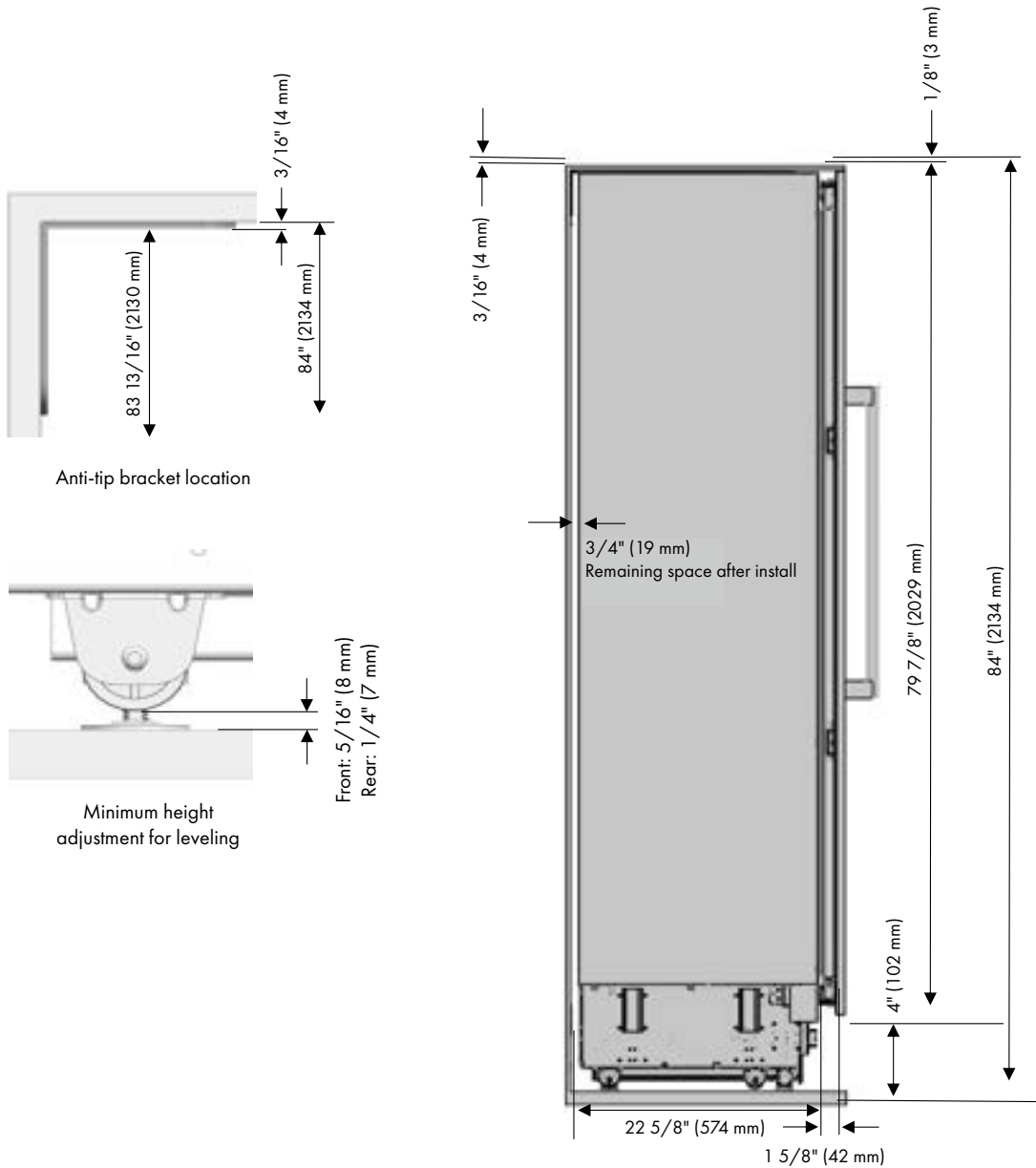
B: Minimum door clearance to adjacent wall (90° - reduced internal access)

C: Minimum door clearance to adjacent wall (115° - full internal access)



# BEFORE INSTALLATION

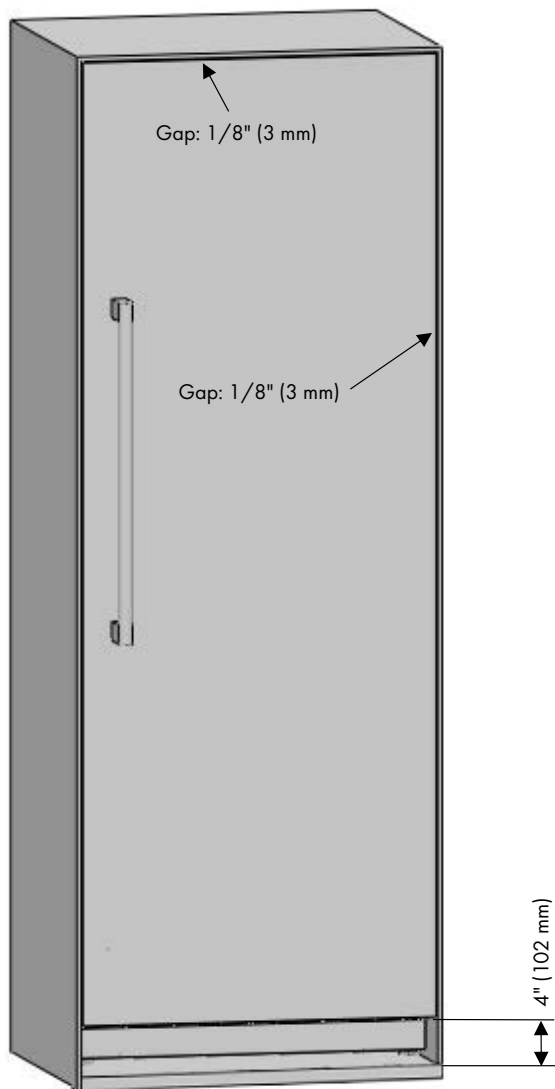
## DETAILED DIMENSIONS





# BEFORE INSTALLATION

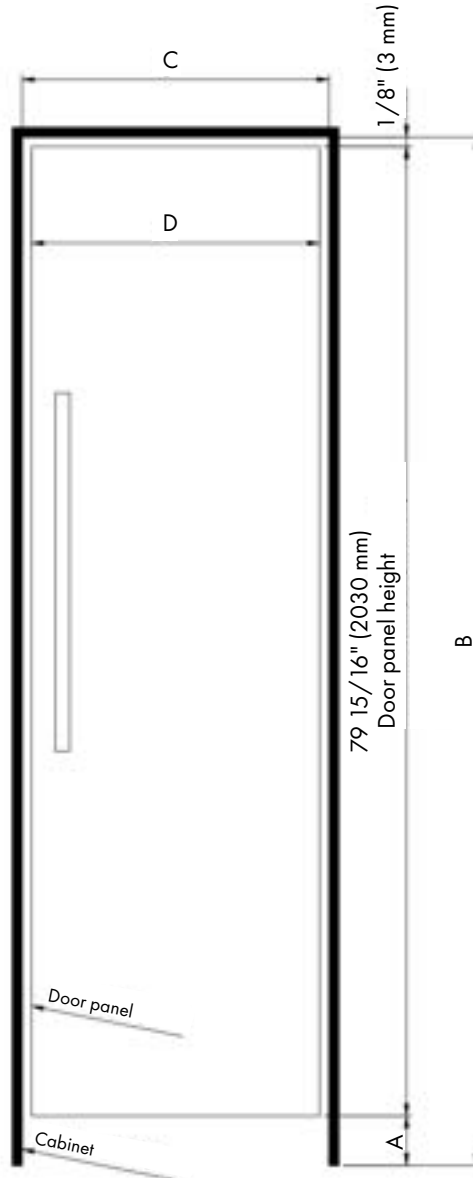
## PRODUCT AND CABINET DIMENSIONS



# BEFORE INSTALLATION

## MINIMUM/MAXIMUM HEIGHT OF THE CABINET CUTOUT

	A	B
Standard	4" (102 mm)	84" (2134 mm)
Minimum	3 3/4" (97 mm)	83 13/16" (2129 mm)
Maximum	5 3/8" (137 mm)	85 3/8" (2169 mm)



Category	RBCFVL-18/RBCFVR-18	RBCFV-24	RBCRV-24	RBCRV-30
C: Cabinet cutout width	18 3/16" (462 mm)	24 3/16" (614 mm)	24 3/16" (614 mm)	30 3/16" (769 mm)
D: Width of refrigerator	17 3/4" (451 mm)	23 3/4" (603 mm)	23 3/4" (603 mm)	29 3/4" (756 mm)

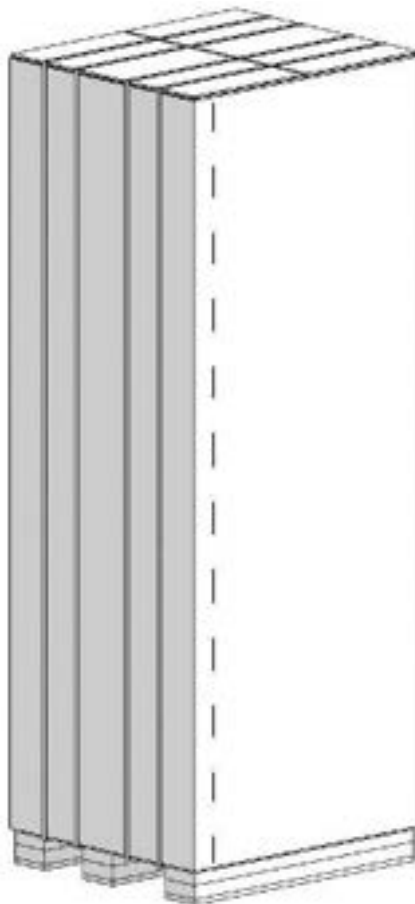
# BEFORE INSTALLATION

## UNPACKING

- Use a box cutter to remove tape on the box packaging.
- Cut the box packaging through the section illustrated in dotted lines in the figure below and remove it.
- If this refrigerator was purchased with door panels, the panels and handles ship in multiple boxes and require additional assembly upon installation.
- Please note the diagrams on the following pages will alternate showing the appliance with and without panels installed; this is done purposefully to show how the item will look panel-ready versus with panel installed.
- Door panel preparation and installation is covered starting on page 54.

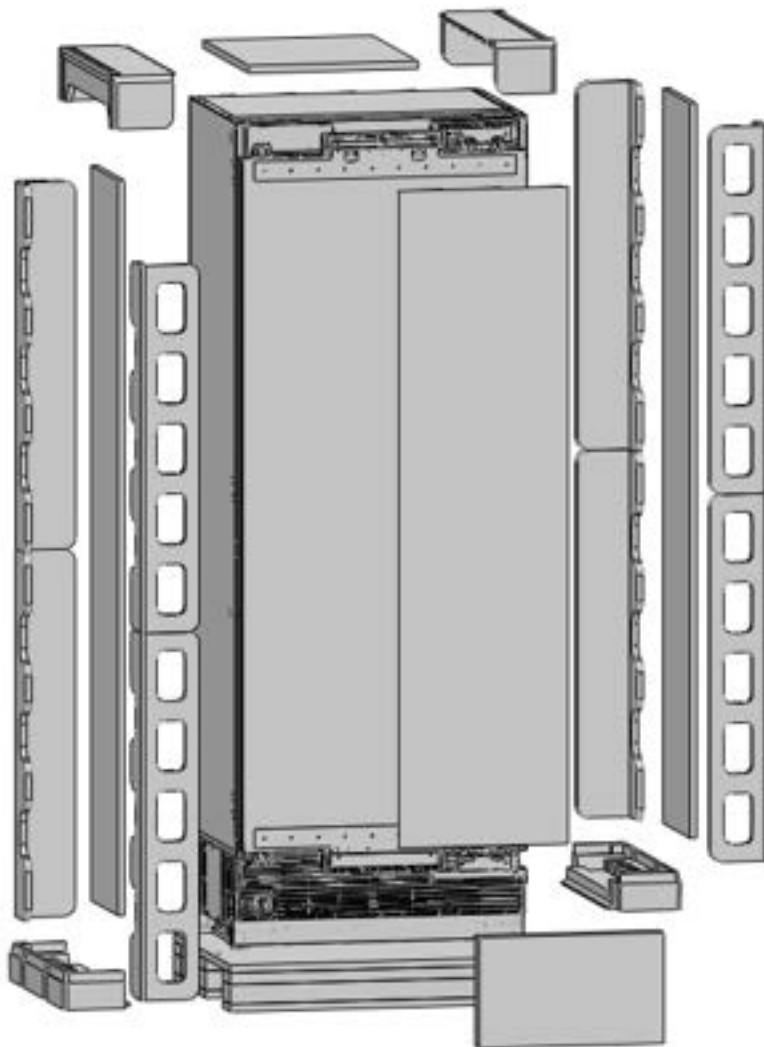


Due to refrigerators and freezers weighing between 243 and 345 pounds (110 and 156 kilograms), at least two people must move units when unpacking and installing.



# BEFORE INSTALLATION

REMOVE ALL THE POLYSTYRENE PACKAGING MATERIAL

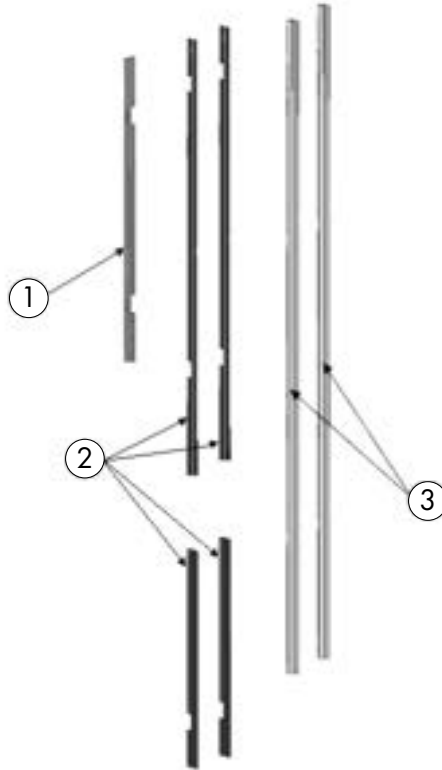


# BEFORE INSTALLATION

## PARTS PROVIDED

NOTE: THE REFRIGERATOR TRIM PARTS ARE BOXED AND SECURED TO THE REAR OF THE REFRIGERATOR

Check to ensure all parts are included, then set aside for later.

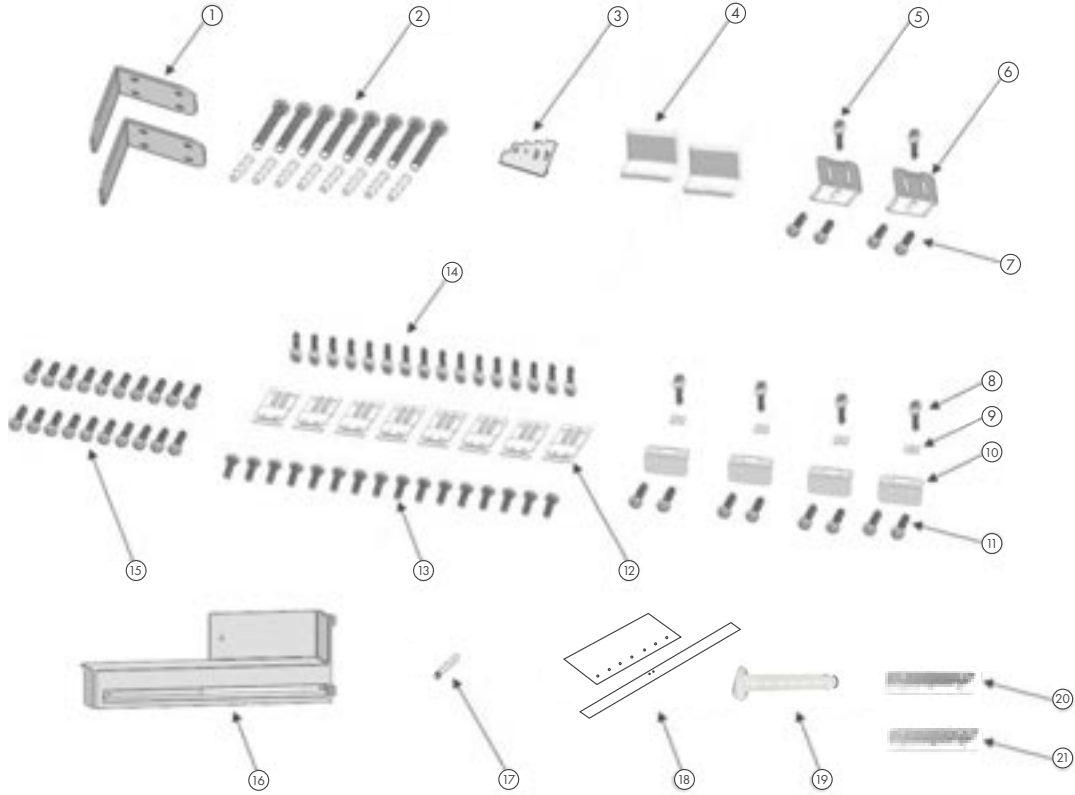







PART NAME	SPECIFICATION	QTY		
		18"	24"	30"
1. Trim cabinet top	18" (457 mm)	1	-	-
	24" (609 mm)	-	1	-
	30" (762 mm)	-	-	1
	29 15/16" (761 mm)	-	-	-
	35 15/16" (913 mm)	2	2	2
2. Trim cabinet side	49 9/16" (1259 mm)	2	2	2
	24 5/16" (617 mm)	2	2	2
3. Trim door side	70 1/8" (1781 mm)	2	2	2

# BEFORE INSTALLATION

## REMOVE MOUNTING PARTS FROM THE DRAWER COMPARTMENT

- Open the freezer compartment door and remove the packages containing the mounting parts and check to ensure all parts are included.

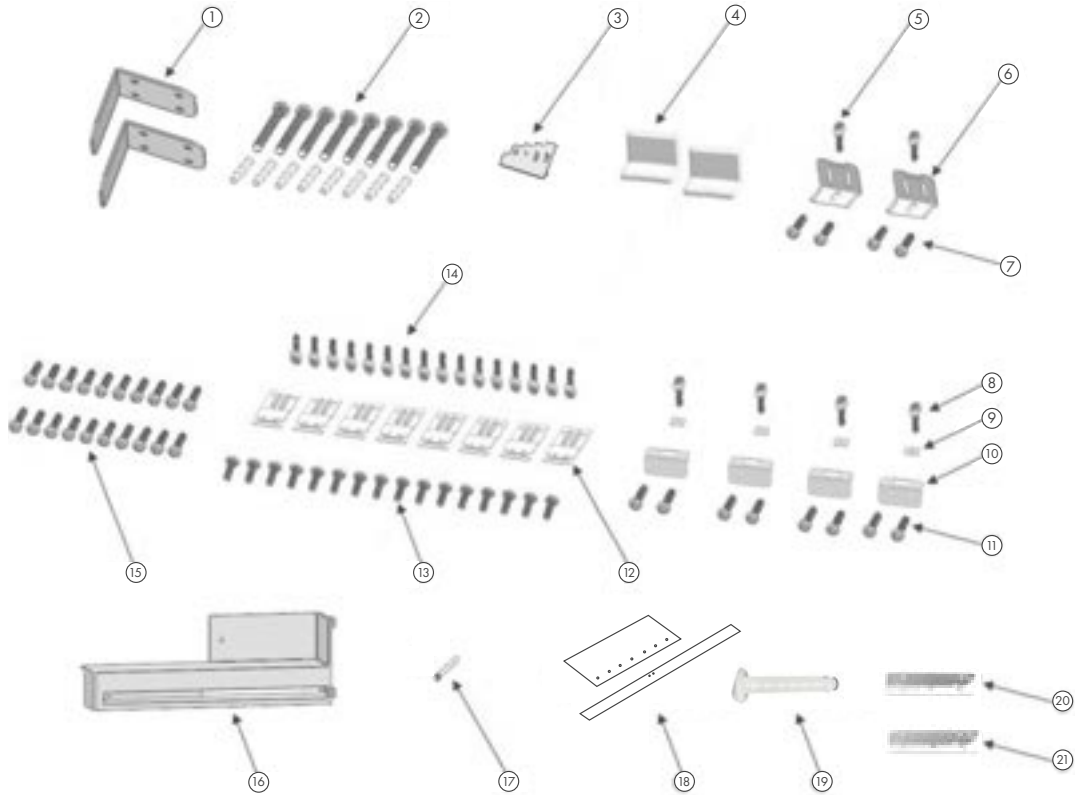




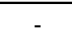
PART NAME	SPECIFICATION	IMAGE	QTY		
			18"	24"	30"
1. Anti-tip bracket	-	-	8	8	8
2. Anti tip bracket screws and anchors	-		8	8	8
3. Position adjustment gauge	-	-	1	1	1
4. Door panel connecting bracket	-	-	-	2	2
5. Truss washer head	M4 x12 mm		-	2	2
6. Door panel connecting bracket	-	-	-	2	2
7. Screws to secure door panel connecting bracket to panel	ST4 x14 mm		-	4	4
8. Crossed flat head tapping screws	M4 x12 mm		4	4	4
9. Washer for panel side mounting bracket	-	-	4	4	4
10. Panel side mounting bracket	-	-	4	4	4
11. Screws to secure panel side mounting bracket	M4 x 12 mm		8	8	8

# BEFORE INSTALLATION

## REMOVE MOUNTING PARTS FROM THE DRAWER COMPARTMENT

- Open the freezer compartment door and remove the packages containing the mounting parts and check to ensure all parts are included.

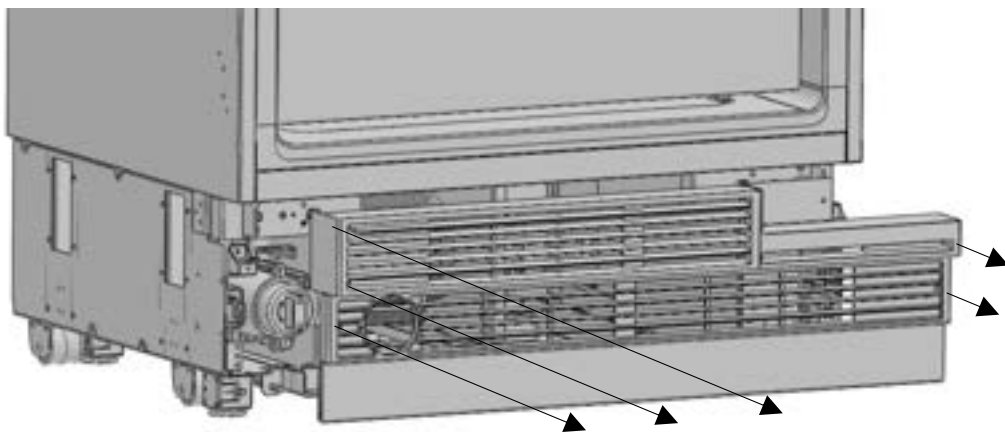


PART NAME	SPECIFICATION	IMAGE	QTY		
			18"	24"	30"
12. Cabinet mounting bracket	-	-	8	8	8
13. Screws to secure cabinet mounting brackets to cabinet cutout	ST M4 x 14 mm		16	16	16
14. Screw cabinet connecting bracket	M4 x 12 mm, crossed flat head tapping screws		16	16	16
15. Counter sunk head screw	ST M4 x 14 mm		16	20	20
16. Air vent hinge	-	-	-	1	1
17. 90° limiting pins	-	-	1	1	1
18. Door panel preparation template	-	-	1	1	1
19. Water filter bypass plug (if needed)	-	-	1	1	1
20. Hinge bracket (left hinge)* *Refrigerator will have 2 brackets marked with letter "L"	-	-	-	2	2
21. Hinge bracket (right hinge)* *Freezer will have 2 brackets marked with letter "R"	-	-	-	2	2

# INSTALLATION

## REMOVING THE VENT HOLE ASSEMBLY

Remove the five screws to take out the vent assembly; set the screws aside.





# INSTALLATION

## PRE-INSTALLATION NOTES

Continue to install the product according to the instructions below. Additionally, consider national and local government codes and instructions regarding installation requirements and clearances.

Please observe the following:

- For the USA, National Electrical Code, ANSI/NFPA 70-latest version; state or municipality directives; and/or regional directives.
- For Canada, Canadian Electrical Code, C22.1-latest version; province or municipality directives; and/or regional directives.

## MOUNTING THE ANTI-TIP BRACKETS



WARNING

Anti-tip brackets must be installed to prevent the appliance from tipping over and limit risk of injury.



WARNING

Make sure there is no electrical or water connection where the screws will be tightened and connections will be established.



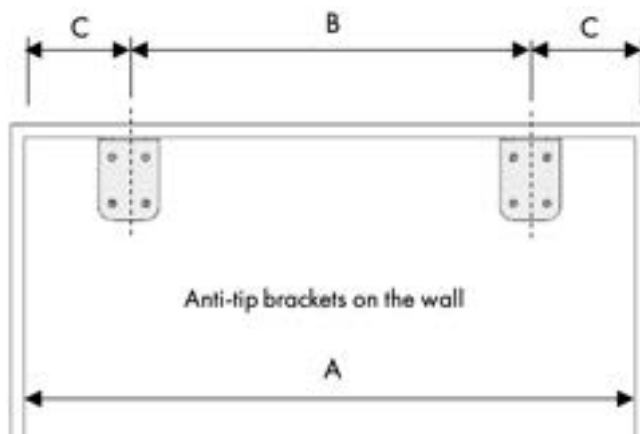
WARNING

Please remember to use necessary protective equipment when drilling holes in the wall while performing this installation.

# INSTALLATION

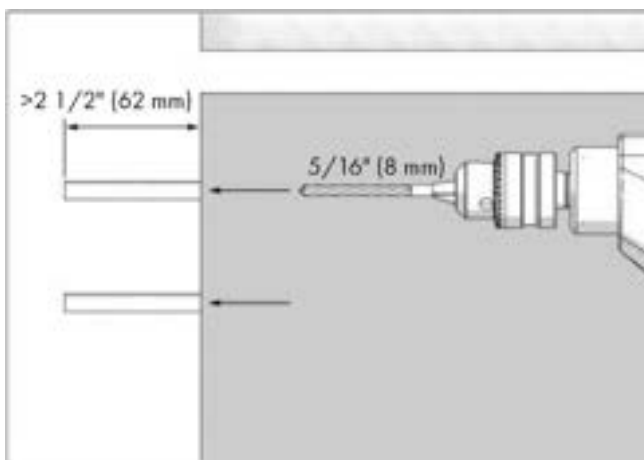
## MOUNTING THE ANTI-TIP BRACKETS

- Mark the upper rear of the wall in your cabinet cutout to locate the anti-tip brackets (page 26, Item No. 2).



Category	RBCFVL-18/RBCFVR-18	RBCFV-24	RBCRV-24	RBCRV-30
A	18 3/16" (462 mm)	24 3/16" (614 mm)	24 3/16" (614 mm)	30 3/16" (767 mm)
B	11 5/8" (295 mm)	17 5/8" (447 mm)	17 5/8" (447 mm)	23 5/8" (600 mm)
C	3 3/16" (81 mm)	3 3/16" (81 mm)	3 3/16" (81 mm)	3 3/16" (81 mm)

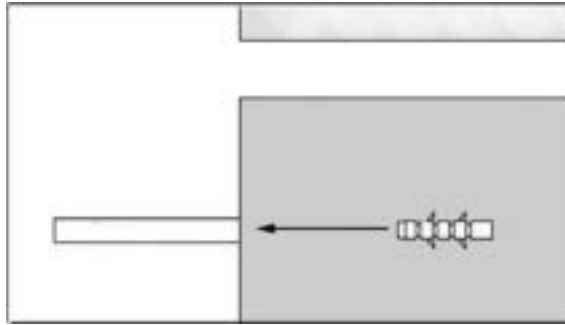
- Use a 5/16" (8 mm) drill bit to bore roughly 2 1/2" (62 mm) deep holes at the marked points. Do not use a larger drill bit as the wall anchors will be unable to tighten or secure the brackets.



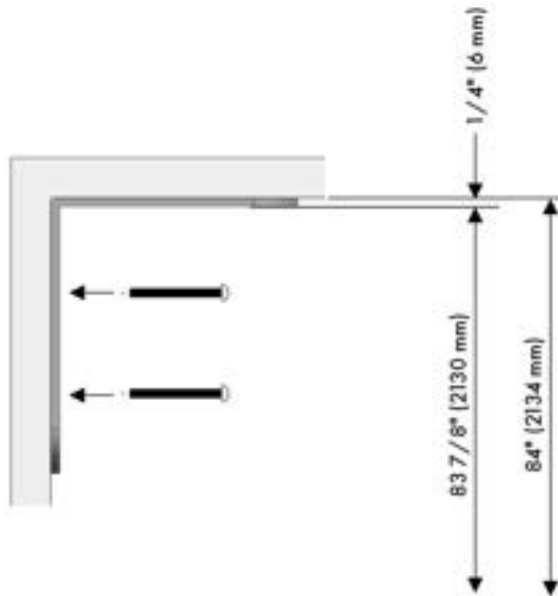
# INSTALLATION

## MOUNTING THE ANTI-TIP BRACKETS

- Use the hammer to tap anti-tip anchors (page 26, Item No. 2) into the wall.



- Fit the anti-tip brackets into their places, using four screws (page 26, Item No. 1) for each. You must use both brackets to ensure safety of the product.



WARNING

- If you are not sure whether the anti-tip brackets are fastened to the wall as securely as they should be, you can use alternative anti-tip methods.
- If there are cabinets at the back wall of the refrigerator or freezer, please make sure the cabinets are fixed to the wall. For this, you need to ensure the back wall of the cabinets are fixed to the concrete back wall with suitable connection parts.

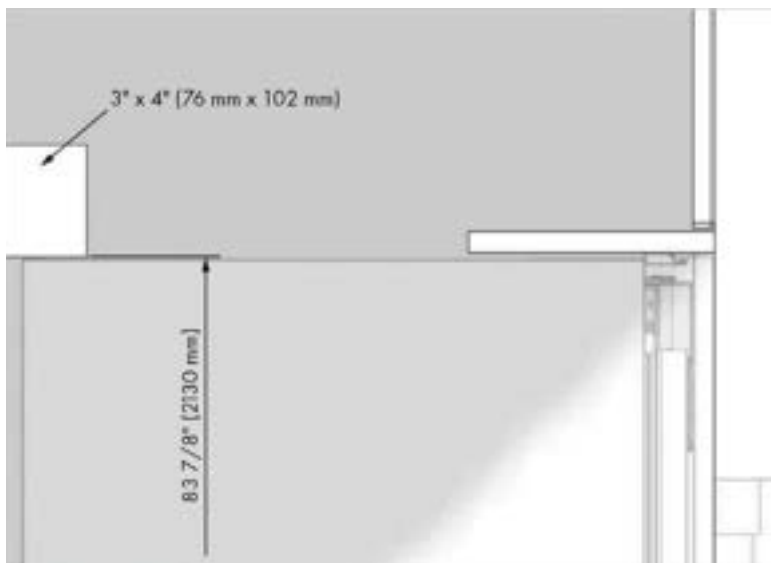
# INSTALLATION

## ALTERNATIVE ANTI-TIP METHOD

- If the anti-tip brackets cannot be connected securely, you must use the alternative method outlined below.
- In this method, you can use wooden blocks (not provided) to avoid the risk of the unit tipping over. They must be installed as illustrated in the figure below.
- There must be no clearance between the product and the wooden blocks.
- Minimum section dimensions of the wooden block must be 3" by 4" (76 mm by 102 mm). The width of the blocks must be equal to the clearance where it will be installed.
- An additional block must be used if the niche depth is more than anticipated. The wooden block must contact the product with a maximum depth of 2" (51 mm).
- To determine the location for the wooden block, mark it on the rear wall, select suitable screws, and connect safely.



The number and type of the screws to be used for the wooden block must be determined so there is a secure connection. Only a professional installer should perform this alternative method.

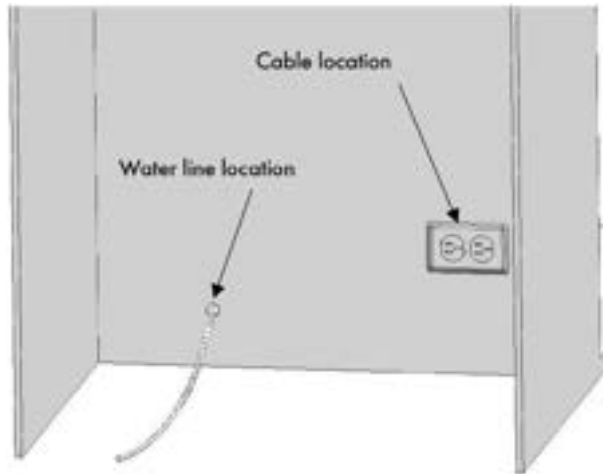


# INSTALLATION

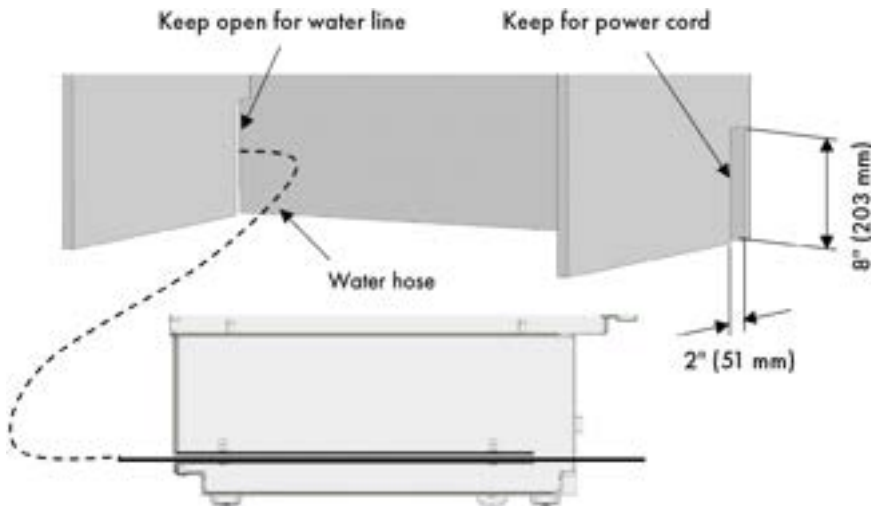
## PREPARING THE WATER HOSE AND POWER PLUG

- You will need a hose with a minimum length of 60" (1524 mm) and a diameter of 1/4" (6 mm) for water connections during installation.
- A connector that has a thread with an external diameter of 1/4" (6 mm) must be used to connect the hose end to the product.
- You can choose method A or method B below to prevent the power cord and water supply line from getting jammed or tangled.

**Method A:** Locate the water hose and power supply on the back of your cabinet.



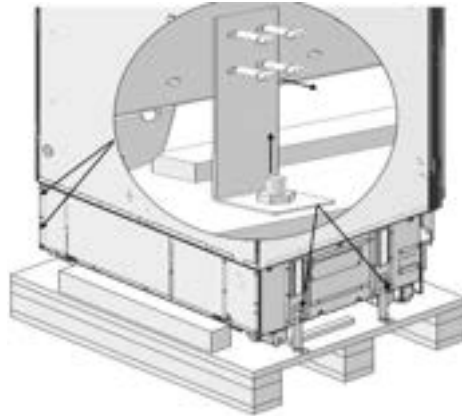
**Method B:** Locate the water hose and power supply through the side of the cabinet.



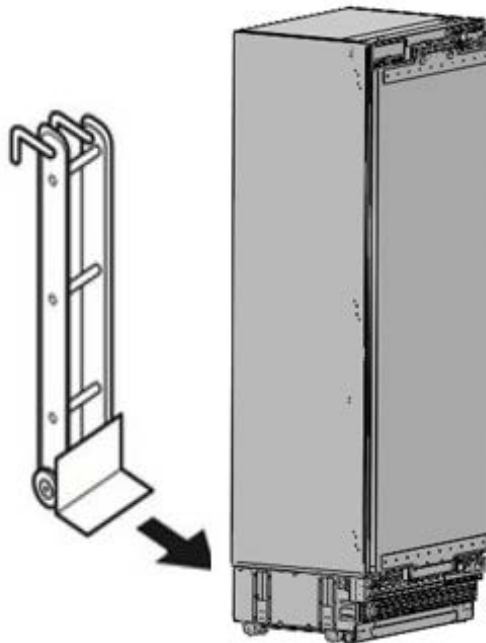
# INSTALLATION

## MOVING THE UNIT FROM THE WOODEN PALLET

- With a Phillips-head screwdriver or drill bit, remove the screws from the security brackets that connect the refrigerator or freezer to the wooden pallet as outlined below.



- With at least two people, recline the appliance with the help of a dolly/hand truck to lift it off the pallet and Styrofoam packaging, then slowly lower the refrigerator to the floor. Then, use the hand truck to carefully move the unit near the opening of the cabinet cutout where it will be installed.

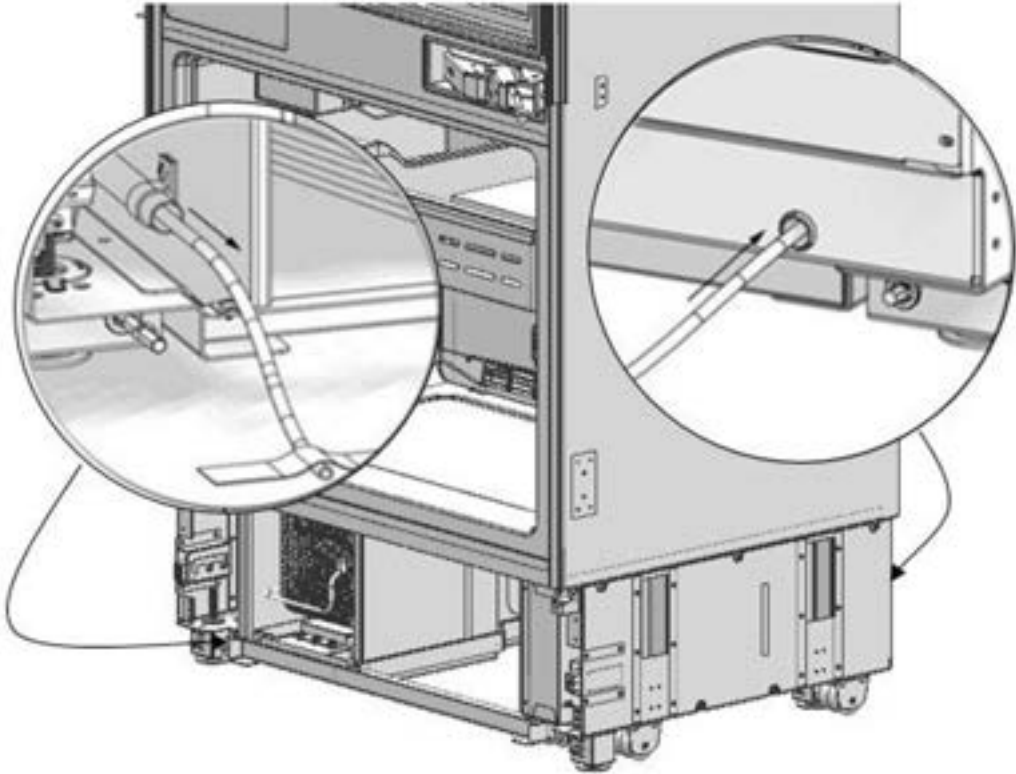


Do not open doors, as the weight of the unit's doors can cause the appliance to tip over while in a reclined or free standing position.

# INSTALLATION

## PREPARING FOR PLACING THE UNIT INTO THE CABINET

- Before preparing to push the unit into the cabinet cutout, run the water line hose through the rear channel of the refrigerator or freezer (below image, right circle) to the front of the unit (below, left). You can optionally tape the water line to the floor to avoid it getting tangled during installation.



- Plug in the refrigerator or freezer to make sure the power is working and that the display has been activated.



The plug of the product must be accessible after installation. If the plug is not accessible after installation, the power must be cut off from the main switch.

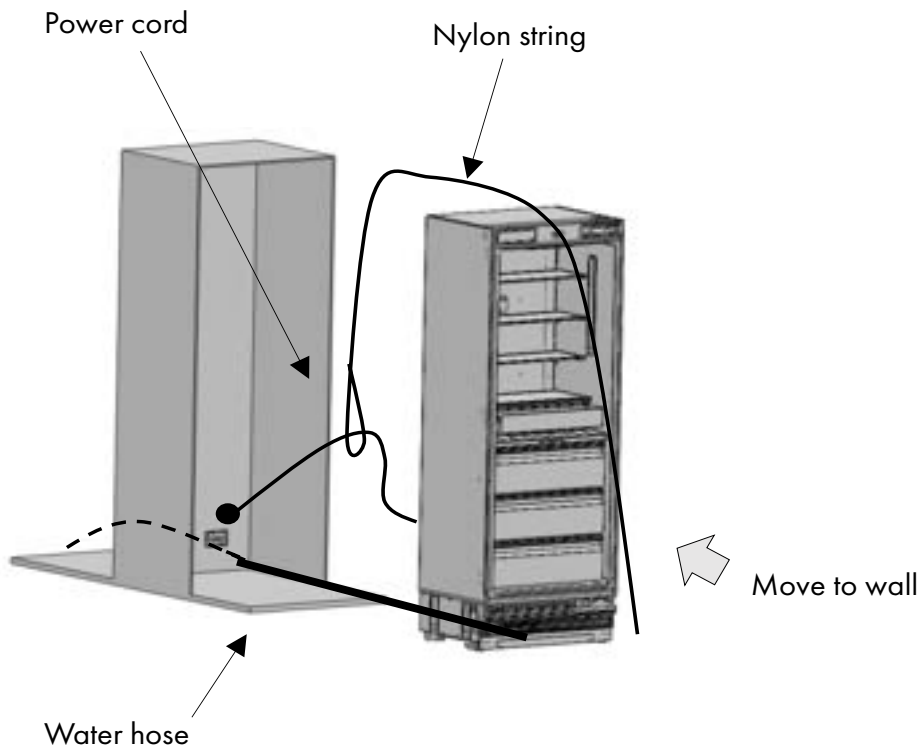


You can use tape or other protective items you think are necessary to protect the edges of the cabinet when placing the product.

# INSTALLATION

## PLACING THE UNIT INTO THE CABINET

- Apply the below method — tie a nylon string or other durable string/cable around the power cord — to prevent the power cord from getting jammed.



Make sure the power cable is not jammed when placing the product, or else you increase the risk of electric shock or power failure.

- Push the product carefully toward the cabinet cutout. If there is strain of any kind during placement of the product into the cabin:
  - the floor might be rough or uneven; and/or
  - adjustable feet might be loose (please see page 38 to learn how to adjust the adjustable feet to level the product).



# INSTALLATION

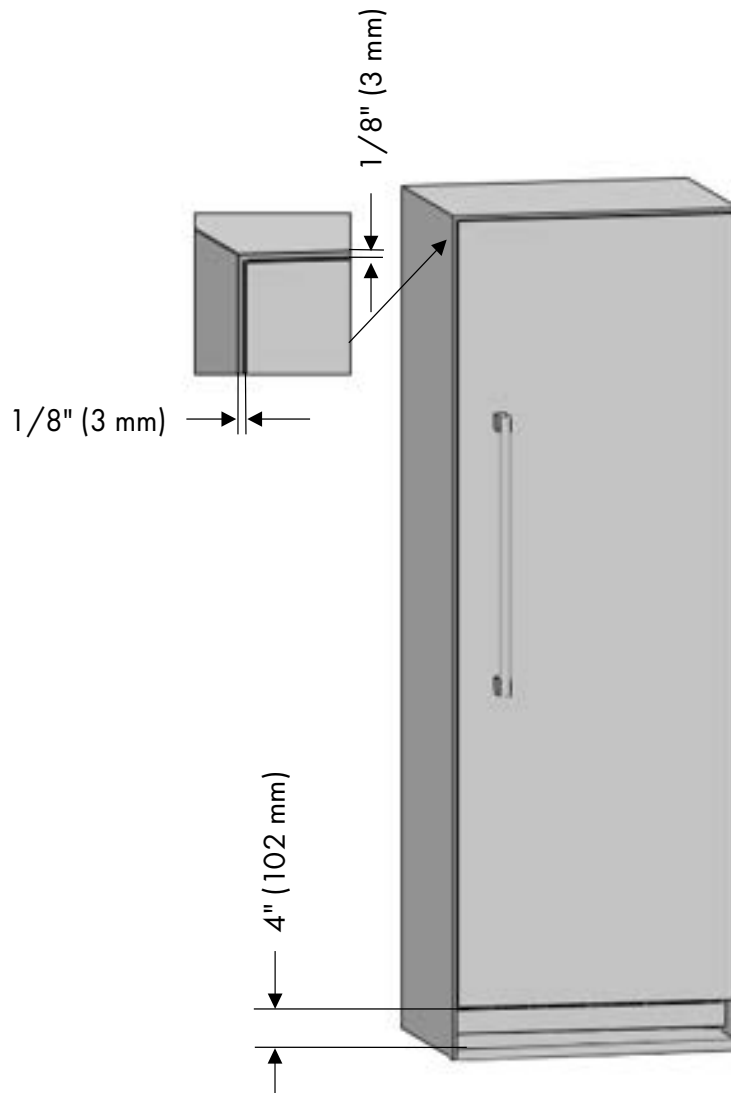
## ALIGNING THE UNIT WITH THE CABINET CUTOUT



It is very important to align the upper edge of both doors when aligning. All the other edges can be adjusted with the adjustment mechanisms.

**NOTE:** The image below is of a refrigerator or freezer with panels installed in order to show proper gaps when aligning the door.

- 1/8" (3 mm) represents the required gap between door panels and the cabinet cutout.
- These gap measurements are the same for custom panels and ZLINE-provided panels.
- Door panel preparation and installation is covered starting on page 54.



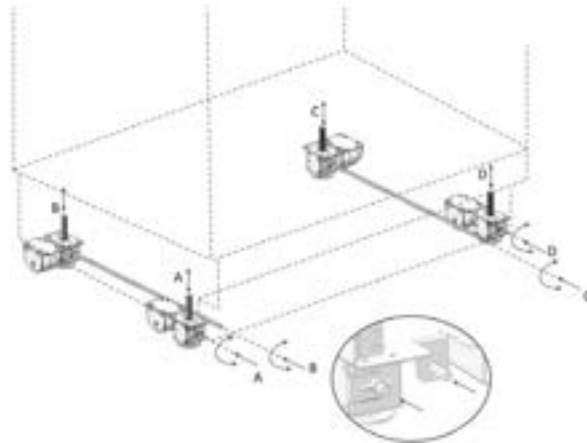
# INSTALLATION

## ADJUSTING THE REFRIGERATOR HEIGHT

- With the unit now aligned, push it carefully into the cabinet cutout.
- Next, the feet need to be raised in order to secure the product to the anti-tip brackets.
- You may use a socket wrench with a 1/4" hex bit to adjust leg height; we recommend using a socket wrench by hand to avoid the risk of stripping the legs. **Do not use an impact drill to adjust the feet; doing so may cause damage.**



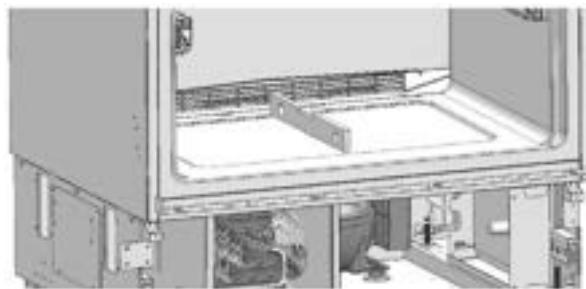
It's important to raise the front feet first to reduce risk of the appliance falling frontward, which would increase the risk of injury.



A/D — Turn the key clockwise to lift the front

B/C — Turn the key clockwise to lift the rear

- After adjusting the feet, check if the product is level in both width and depth directions. You may readjust as needed after the panel is installed.



- The maximum height the adjustable feet can reach is 1 9/16" (40 mm), and the maximum product height is 85 3/8" (2169 mm).

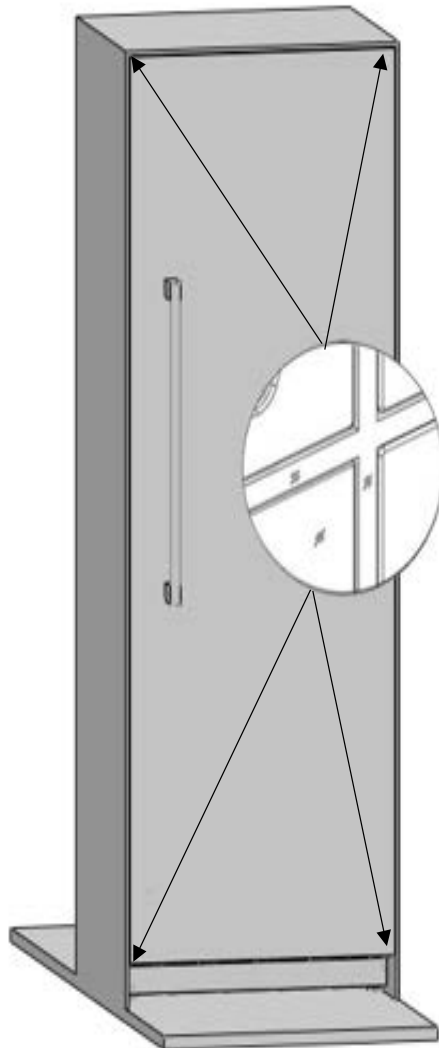
# INSTALLATION

## ALIGNING THE UNIT WITH THE CABINET CUTOUT



It is very important to align the upper edges of the doors when aligning. All the other edges can be adjusted with the adjustment mechanisms.

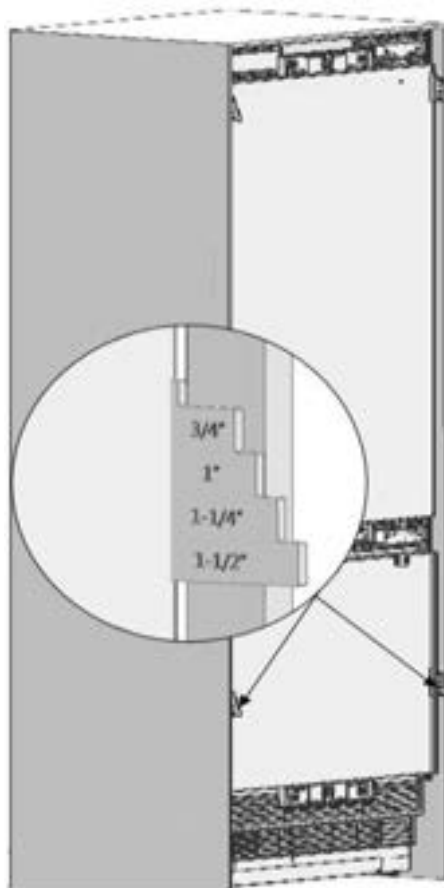
If this refrigerator or freezer was purchased with a ZLINE-provided door panel, the position of the unit needs to be adjusted so that the door and the cabinet surface are flush, as shown in the figure below. You can also use a position alignment gauge (page 26, Item No. 3) as shown on page 40 if necessary for alignment.



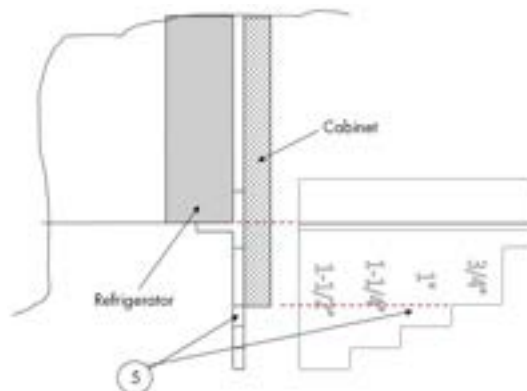
# INSTALLATION

## USING THE POSITION ALIGNMENT GAUGE

- If this refrigerator or freezer was purchased without a ZLINE-provided door panel, the product can be placed using the position alignment gauge (Item No. 3) as outlined below in order to align with custom panels, which vary in size and thickness.



- The position of the position alignment gauge must be adjusted according to the thickness of the door. It can adjust to four different door thickness levels.



# INSTALLATION

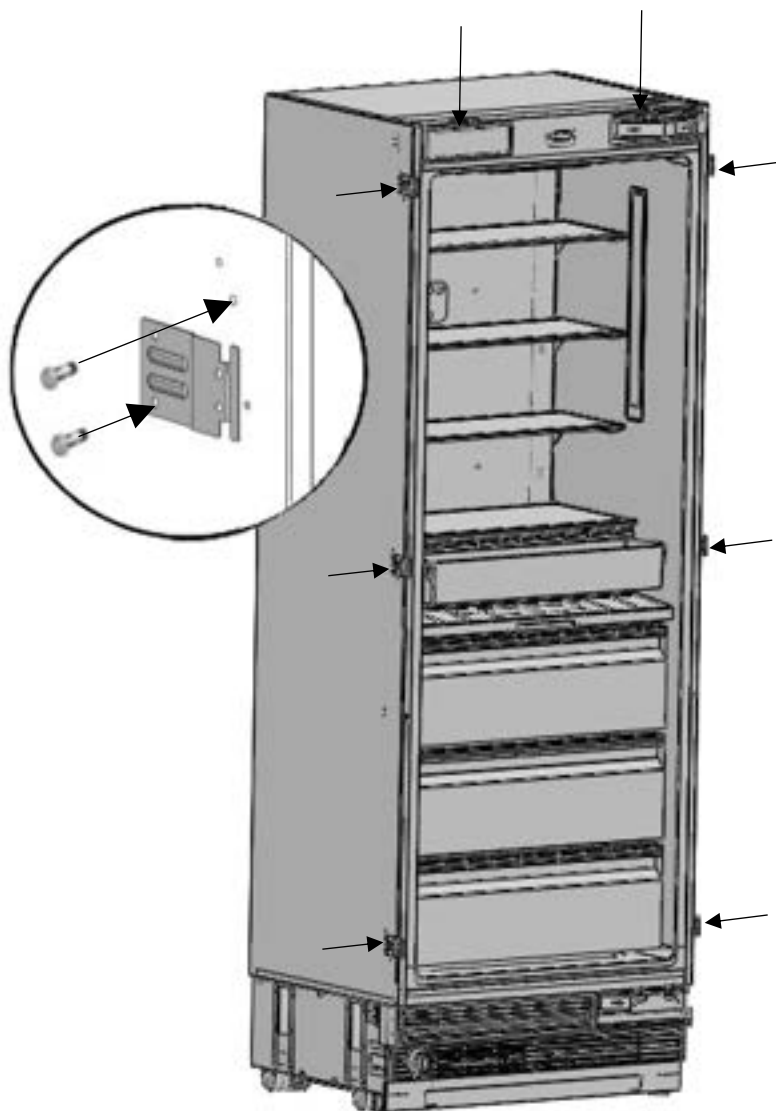
## ATTACHING THE CABINET MOUNTING BRACKETS

- Fix the cabinet mounting bracket (Item No. 12) to the unit, with 2 on the top and 3 on every side. Use the screws to secure cabinet mounting bracket to side and top of refrigerator (Item No. 14) to tighten.



**WARNING**

Before starting to screw the side and upper brackets, please make sure that water is supplied to the product and there is no water leakage.



# INSTALLATION

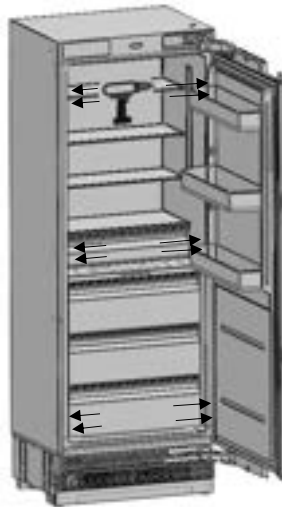
## SECURING THE UNIT TO THE CABINET CUTOUT



If you have difficulty tightening the screws, opening a reference hole with the drill will make this procedure easier.

### Screwing the cabinet mounting bracket on the cabin side wall

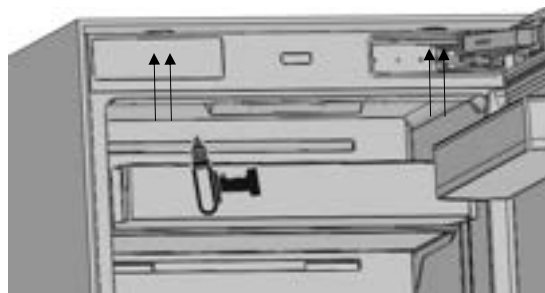
- Attach the cabinet mounting bracket to the cabinet with 12 screws (Item No. 13).



If you have difficulty tightening the screws, opening a reference hole with the drill will make this procedure easier.

### Screwing the cabinet mounting bracket on the cabin top wall

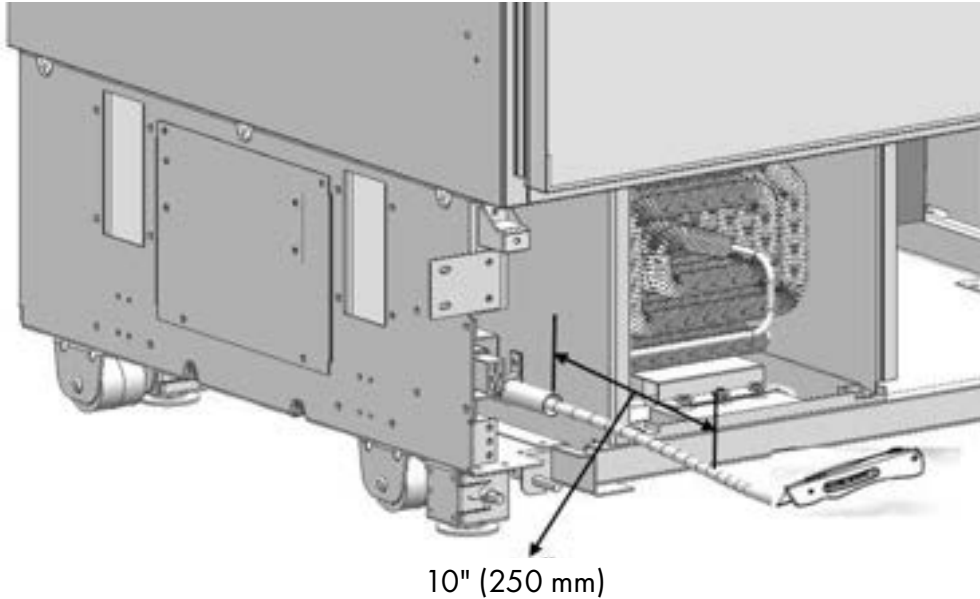
- Attach the cabinet mounting bracket to the cabinet with 4 screws (Item No. 13).



# INSTALLATION

## INSTALLING THE WATER CONNECTION

- With the unit secured into the cabinet cutout, use two wrenches to firmly connect the main water line hose from the front of the unit to the hose coming from the valve above, as outlined in the image below.



- Once the water connection is complete, you must turn on the main water valve to ensure there are no water leaks.
- This also allows you to run water through the unit's water dispenser to drain the water filtration system before use.
- If necessary, use the box cutter to cut the water hose from the end of the pipe it comes out of, leaving a section of 10" (254 mm) length to avoid excess length.
- Use the 2 wrenches to firmly connect the hose coming from the mains and the hose coming from the valve.

# INSTALLATION



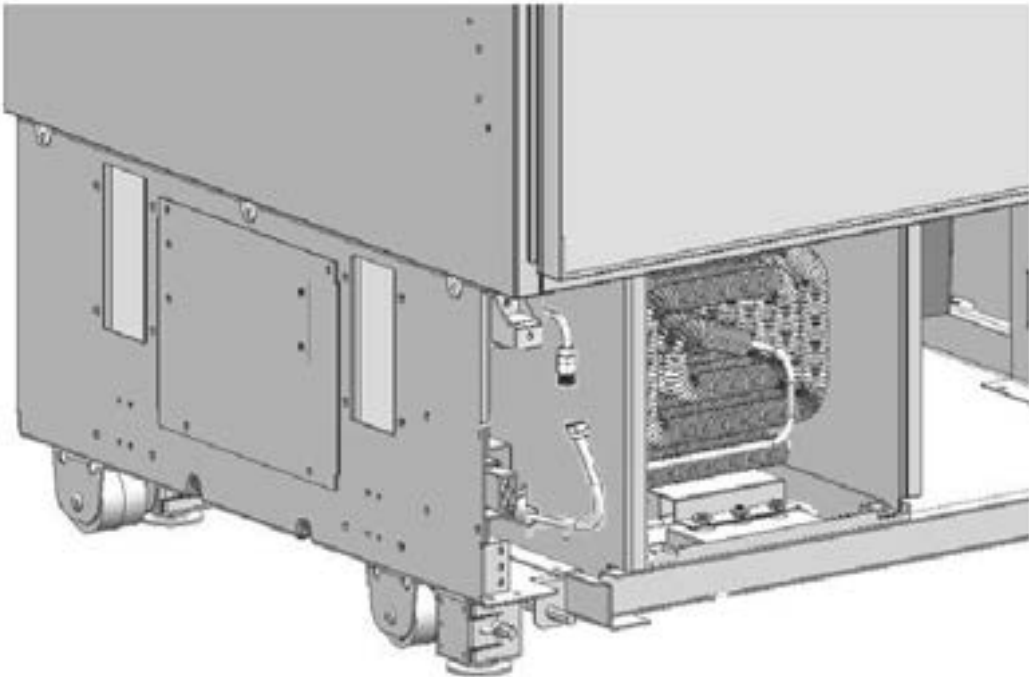
WARNING

Pressure of the water system must be between 25-80 psi (1.7-5.5 bar).



INFO

Once the water connection is complete, you must turn on the mains valve and make sure that there is no leakage at that point.





# INSTALLATION



## WATER SAFETY MEASURES

- The main water line hose must be one piece. Do not use extension hoses.
- Make sure power to the unit is turned off from the breaker when making the water connection of the product to limit risk of electric shock.
- The water valve must be off when connecting the water hose.
- It is recommended that the water on/off valve remains accessible after installing the product in the event service is needed.
- This product is suitable for use with cold water mains only.
- The pressure of the water system must be between 25-80 psi (1.7-5.5 bar).
- If the water pressure exceeds 80 psi (5.5 bar), install a pressure-limiting device or water pressure protector to the inlet valve. Never install or operate the appliance if it's possible for the water pressure to exceed 120 psi (8.3 bar).
- If the water pressure is lower than 14.5 psi (1 bar), you can use an auxiliary pump to compensate.
- If you do not know how to check the water pressure or are unsure how to utilize an auxiliary pump, please consult a professional plumber.

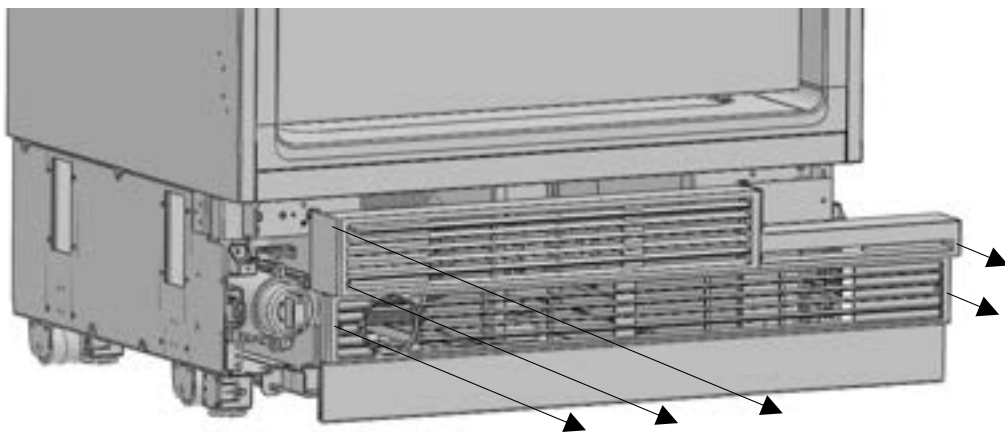
## DUAL CABIN INSTALLATION

- If combining multiple units, please note both refrigerators and freezers have a dedicated water supply, each requiring a hose with a minimum length of 60" (1524 mm) and a diameter of 1/4" (6 mm) for proper water connections.
- If the plumbing of your home needs alteration to accommodate built-in refrigeration, a qualified technician or professional plumber may tee off the water supply to provide water to both units if the customer desires.
- Read more about dual unit installation on page 10.

# INSTALLATION

## ATTACHING THE VENT HOLE ASSEMBLY

- Use 5 screws to attach the vent hole assembly.



INFO

You can move the lower vent hole forward-backward to adjust it to the kick plate in the kitchen.



WARNING

Forward-backward travel distance of the lower kick plate must be 15/16" (23 mm). As you can see in the figure, the decorative kick plate must not be in front of the upper vent hole level.

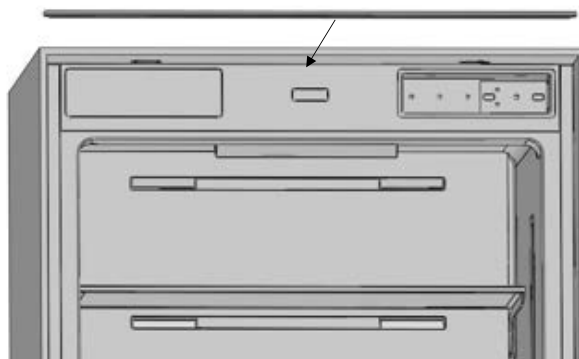
# INSTALLATION

## ATTACHING THE TRIM PIECES

- Attach the cabinet side trim pieces (page 25, Item No. 2) onto the refrigerator or freezer, covering the cabinet mounting brackets as shown below.



- Attach the cabinet top trim (page 25, Item No. 1) onto the refrigerator or freezer, covering the cabinet mounting brackets as shown below.



# INSTALLATION

## PANEL PREPARATION

This section contains information about preparing the panel and mounting them to the product.



Maximum weights of the panel to be mounted to the product are as follows.

CATEGORY	RBCFVL-18/RBCFVR-18	RBCFV-24	RBCRV-24	RBCRV-30
Weight	66 lb (30 kg)			



### CHOOSING THE DOOR THICKNESS

The door(s) of your refrigerator can open by 115° maximum. If the door is going to open to this degree, you can choose the following thickness levels depending on your door panels:

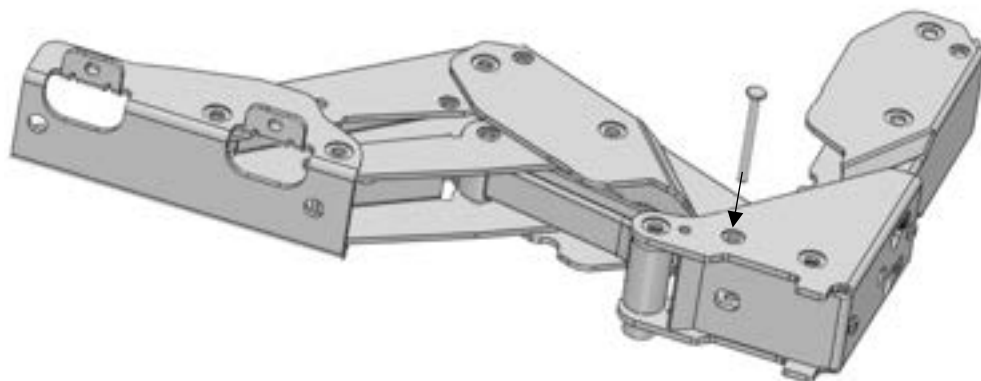
- If the door thickness is more than 1 1/2" (38 mm), the door should not open more than 90°. You must use a limiting pin on the hinge.



# INSTALLATION

## LIMITING PINS

- To limit the opening degree of your door to 90°, insert one 90° limiting pin (page 26, Item No. 17) into the hole on the bottom hinge outlined in the images on the previous page.
- The 90° limit pin (Item No. 17) is located in the mounting part kit of the drawer box.
- The pin must be fully seated in the bracket or the door will not close properly.



- One 90° limit pin should be inserted into upper hinge and one should be inserted into the lower hinge.

# INSTALLATION

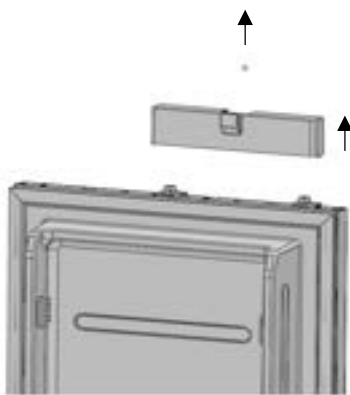


## REMOVING THE DOOR BRACKET COVERS

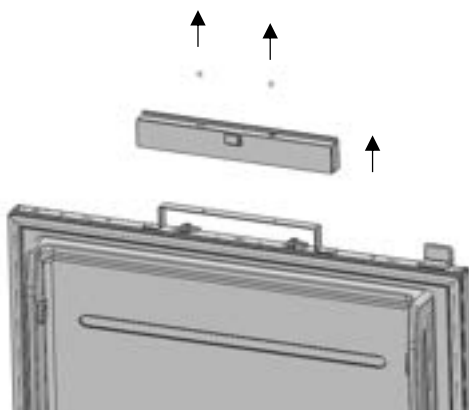
WARNING

- Remove 2 Phillips-head screws to take out the upper bracket trim cover and cover mounting bracket; set aside.

RBCFVL-18/RBCFVR-18/RBCFV-24/RBCRV-24



RBCRV-30



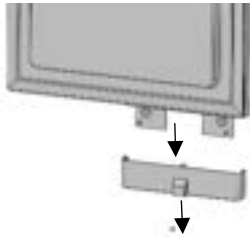
There is a magnet in the mounting bracket trim cover. This is a functional part for the operation of the product.

# INSTALLATION

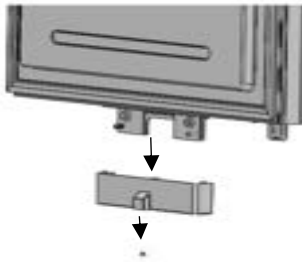
## REMOVING THE DOOR BRACKET COVERS

- Remove 2 Phillips-head screws to take out the lower cover mounting bracket; set aside.

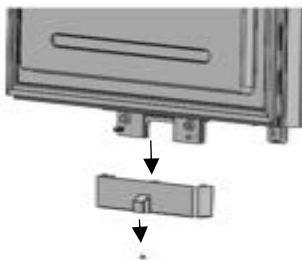
RBCFVL-18/RBCFVR-18



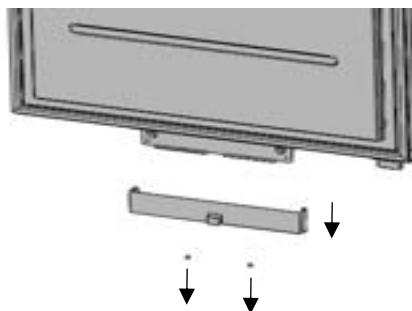
RBCFV-24



RBCRV-24



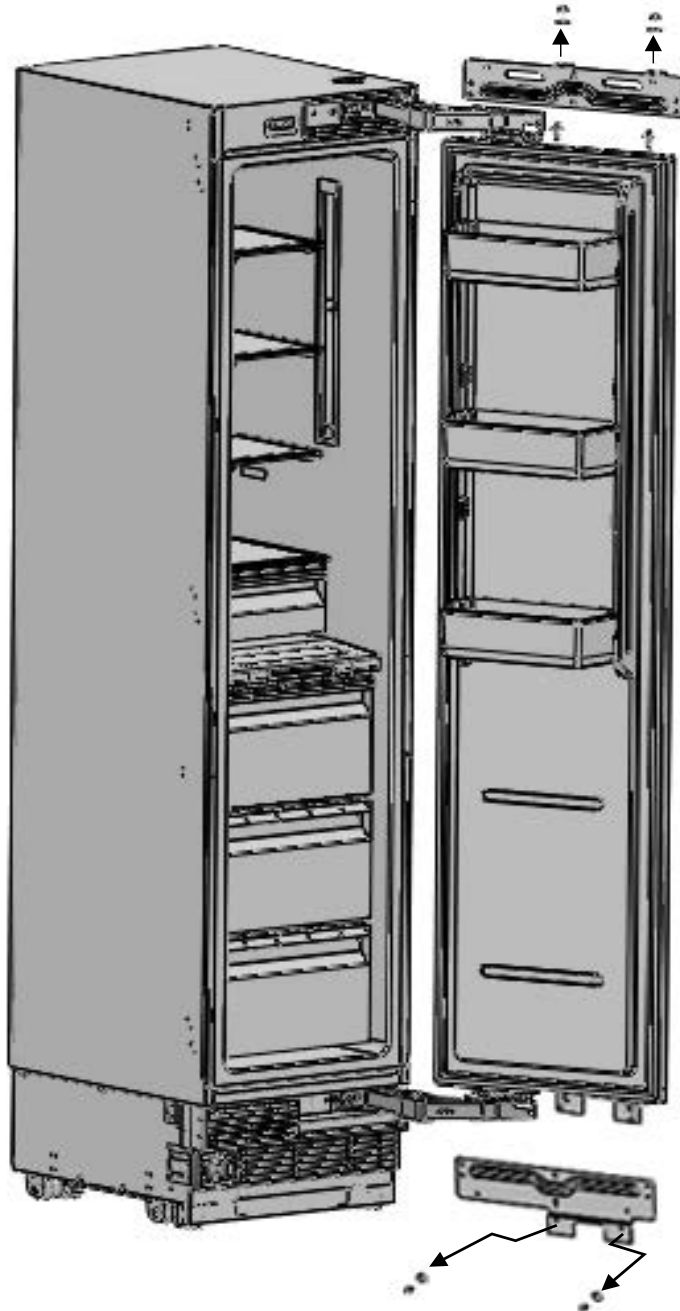
RBCRV-30



# INSTALLATION

## REMOVING THE DOOR PANEL - ADJUSTMENT BRACKETS (RBCFVL-18/RBCFVR-18)

- Using a drill or socket wrench, remove the bolts securing the upper and lower door panel hanger brackets from the door.

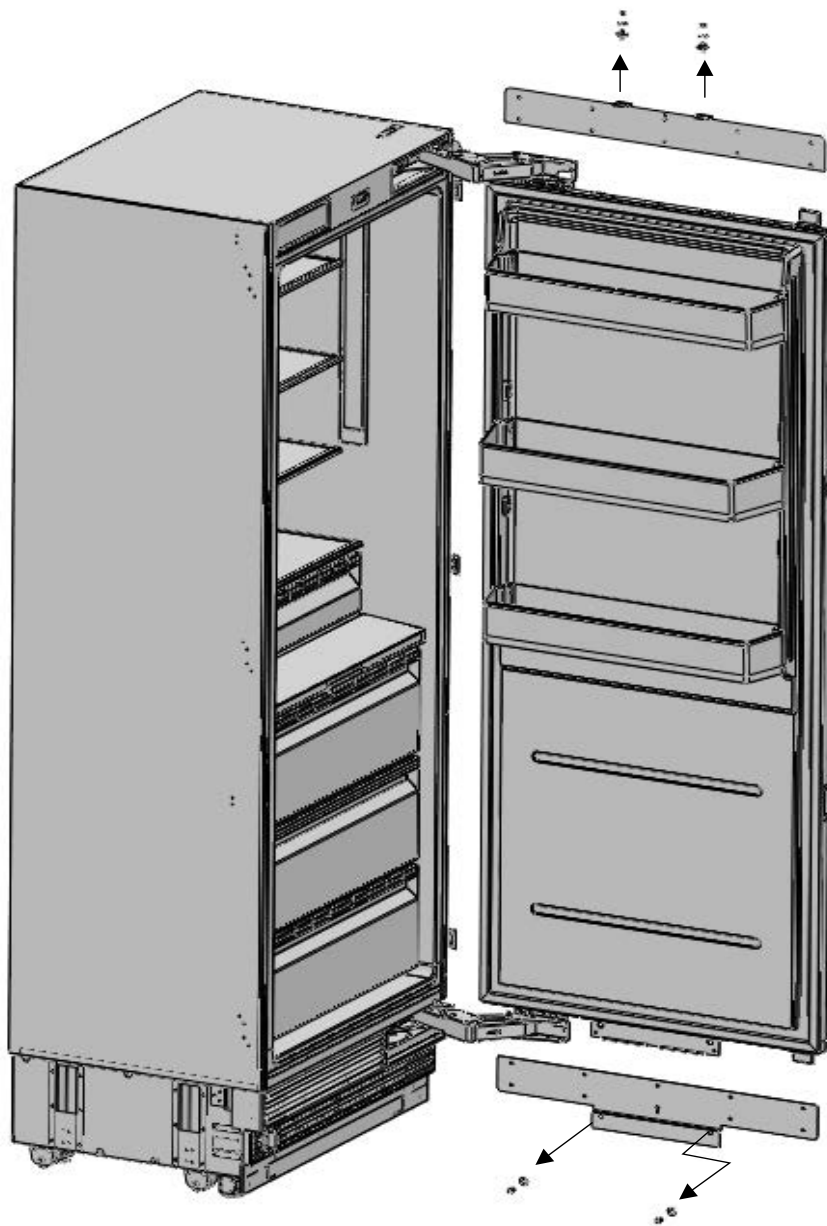




# INSTALLATION

## REMOVING THE DOOR PANEL - ADJUSTMENT BRACKETS (RBCFV-24/RBCRV-24/RBCRV-30)

- Using a drill or socket wrench, remove the bolts securing the upper and lower door panel hanger brackets from the door.

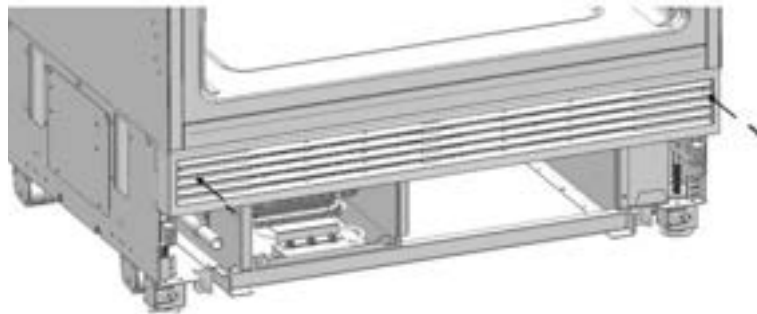


# INSTALLATION

## PREPARING DOOR PANELS



You must take the dimensions on the following pages into account when positioning the door panel hanger brackets on the panel. When pre-drilling holes, you can use the provided door panel preparation template (page 27, Item No. 18) to align the panel brackets in the correct location. Use care to not drill too deep when pre-drilling.



Handle connection holes must be adjusted according to the handle orientation you plan to use in your kitchen design.

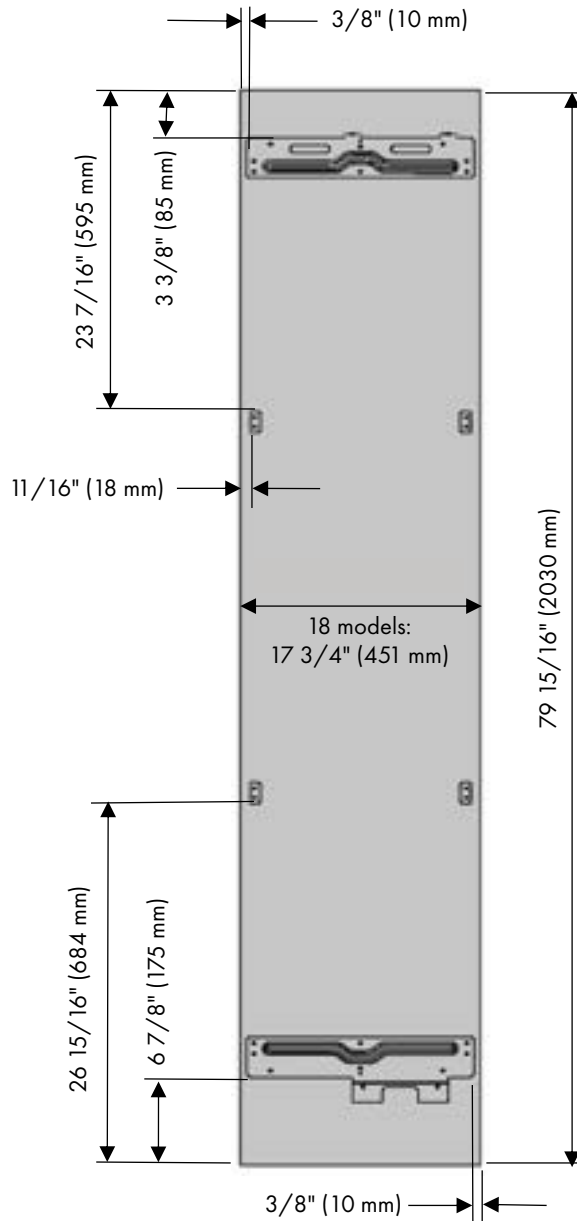


**NOTE:** Minimum thickness of the side walls is 5/8" (16 mm). The minimum thickness of the doors to be attached to the product must be 3/4" (19 mm). For a 25" (635 mm) flush inset depth, the maximum door panel thickness is 15/16" (24 mm).

# INSTALLATION

## PREPARING THE FREEZER DOOR PANEL

### RBCFVL-18/RBCFVR-18 FREEZER DOOR PANEL DIMENSIONS

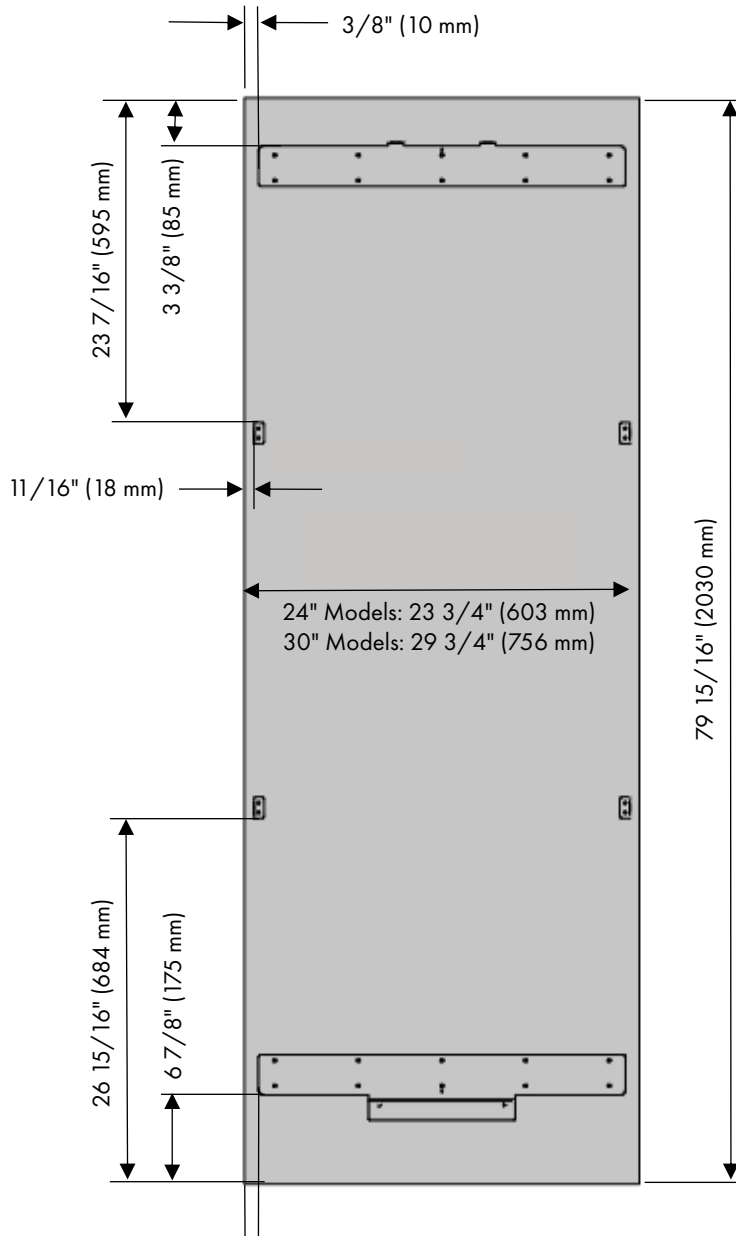


PANEL DIMENSIONS
RBCFVL-18/RBCFVR-18
17 3/4" x 79 15/16" (451 mm x 2030 mm)

# INSTALLATION

## PREPARING THE FREEZER & REFRIGERATOR DOOR PANEL

### RBCFV-24/RBCRV-24/RBCRV-30 FREEZER & REFRIGERATOR DOOR PANEL DIMENSIONS



PANEL DIMENSIONS		
RBCFV-24	RBCRV-24	RBCRV-30
23 3/4" x 79 15/16" (603 mm x 2030 mm)	23 3/4" x 79 15/16" (603 mm x 2030 mm)	29 3/4" x 29 15/16" (756 mm x 2030 mm)

# INSTALLATION

## PREPARING THE REFRIGERATOR DOOR PANEL

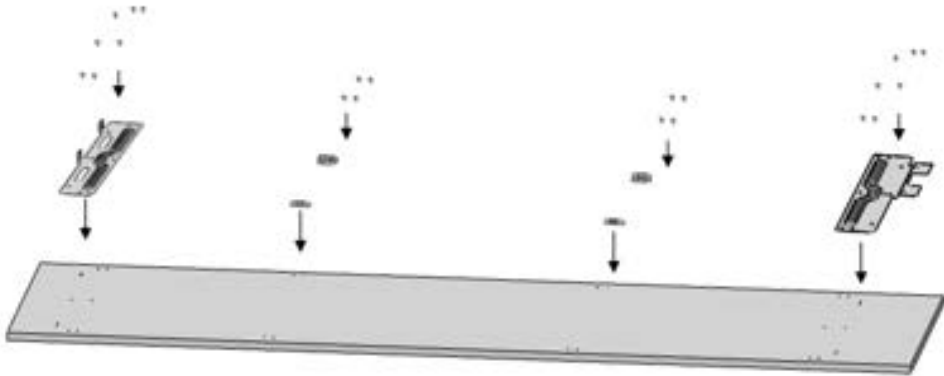
- Secure the door panel hanger brackets removed on page 52 as shown below using the provided screws (page 27, Item No. 15).
- You can use the door panel preparation template provided with the product to align these parts. We recommend keeping this template for future reference.



You must use screws suitable for the door thickness; this can vary depending on if you opt for custom panels.

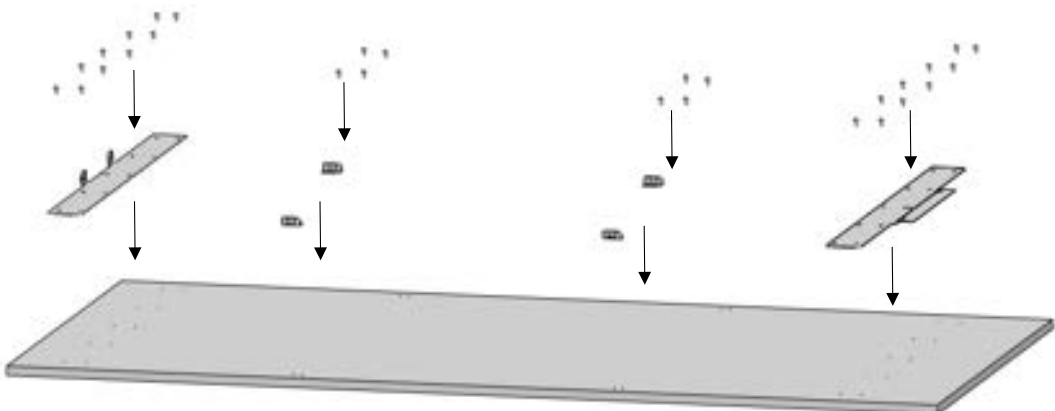
### RBCFVL-18/RBCFVR-18

- 12 screws total, 6 per bracket
- 8 screws total, 4 side mounting brackets total



### RBCFV-24/RBCRV-24/RBCRV-30

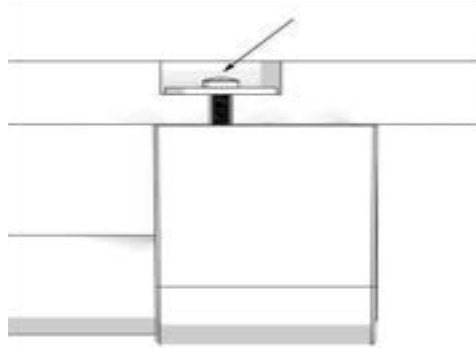
- 20 screws total, 10 per bracket (2 brackets per door)
- 8 screws total, 4 brackets total (2 screws per bracket)



# INSTALLATION

## ATTACHING THE DOOR HANDLES

For both the refrigerator and freezer door handle, the provided mounting studs need to be installed on the decorative side of the panel; fix the other side of the screw in place with a washer and nut, and attach the handle as shown below.



WARNING

Handle connection holes must be adjusted according to the handles to be used in kitchen design.



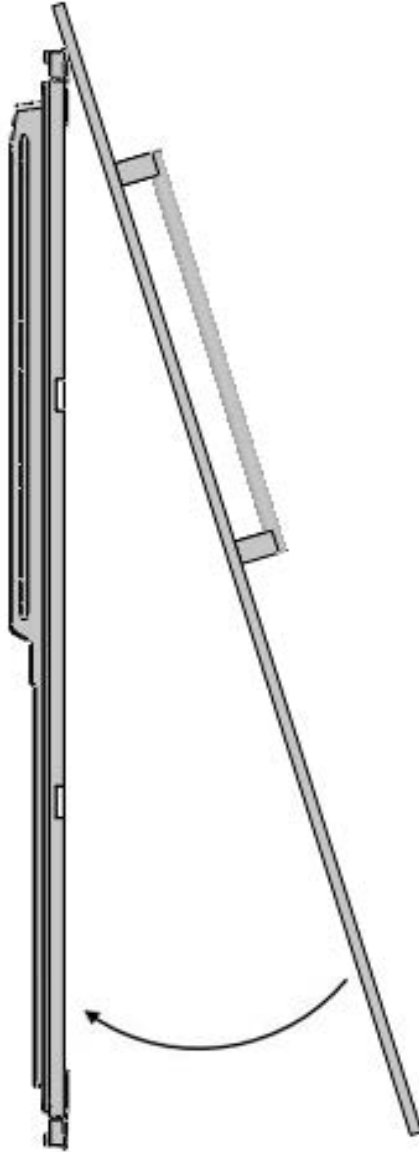
WARNING

NOTE: Minimum thickness of the side walls is 5/8" (16 mm). The minimum thickness of the doors to be attached to the product must be 3/4" (19 mm). For a 25" (635 mm) flush inset depth, the maximum door panel thickness is 15/16" (24 mm).

# INSTALLATION

## INSTALLING THE DOOR PANEL

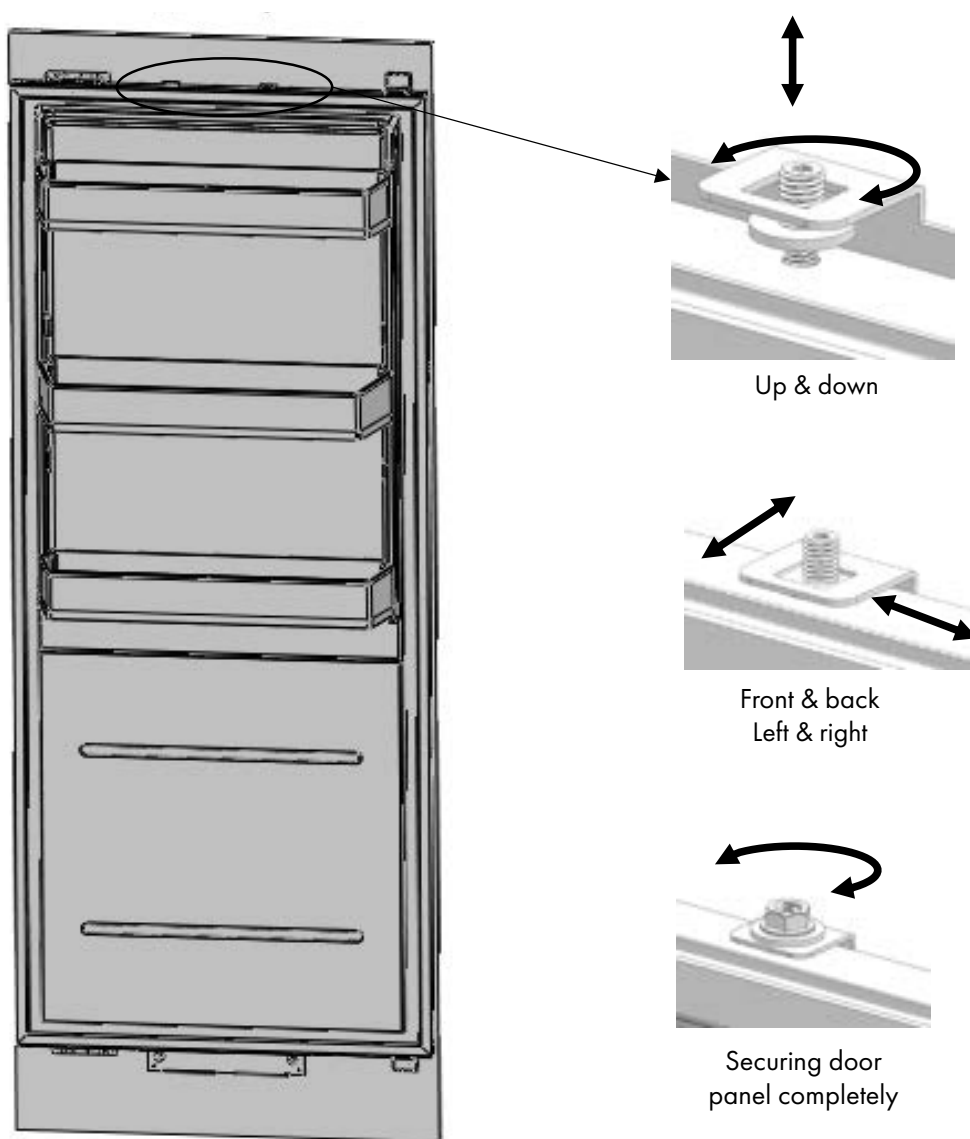
- With brackets properly installed, hang the door panel to the refrigerator or freezer door by aligning the top door panel hanger bracket to where the upper bracket and trim covers were removed on pages 50–52.



# INSTALLATION

## ALIGNING THE DOOR WITH BOLTS

- You must position the door panel to be flush with both the appliance door and to the cabinet cutout.
- Distances between the doors must be  $3/16$ " (5 mm); refer to page 37 as a reminder on how to properly align the door panels.
- To help with this, use a  $1/4$ " - T25 Torx bit to rotate two bolts at the top refrigerator door panel hanger bracket to perform fine adjustments, as outlined below. Secure the door panel completely using a socket wrench.

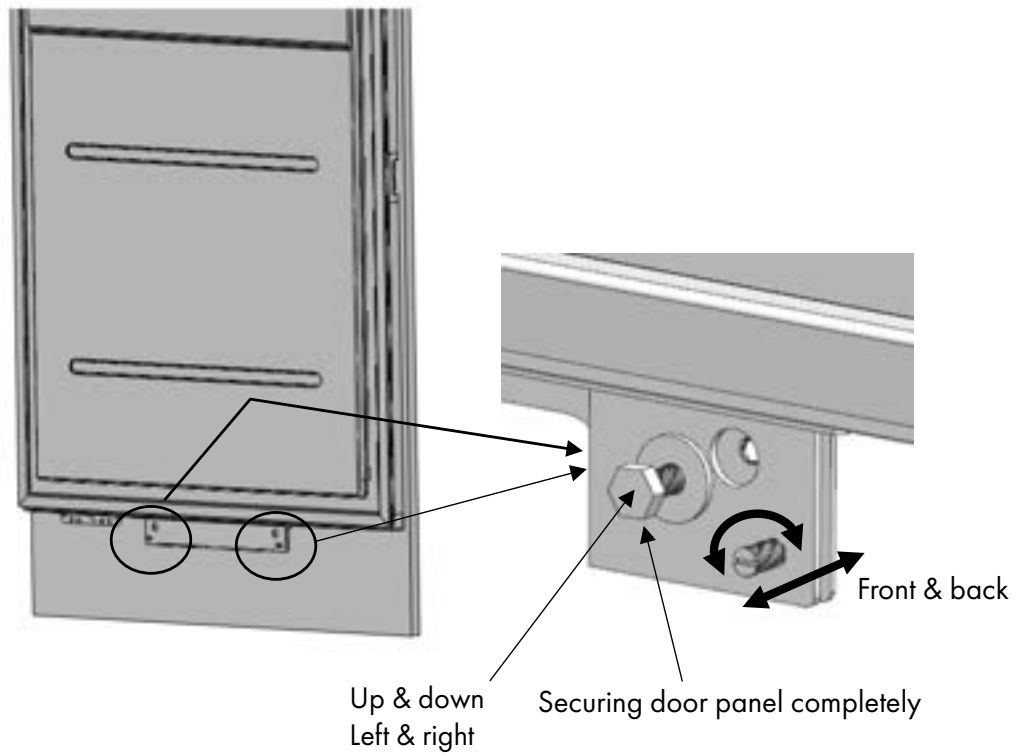




# INSTALLATION

## ALIGNING THE REFRIGERATOR DOOR WITH BOLTS

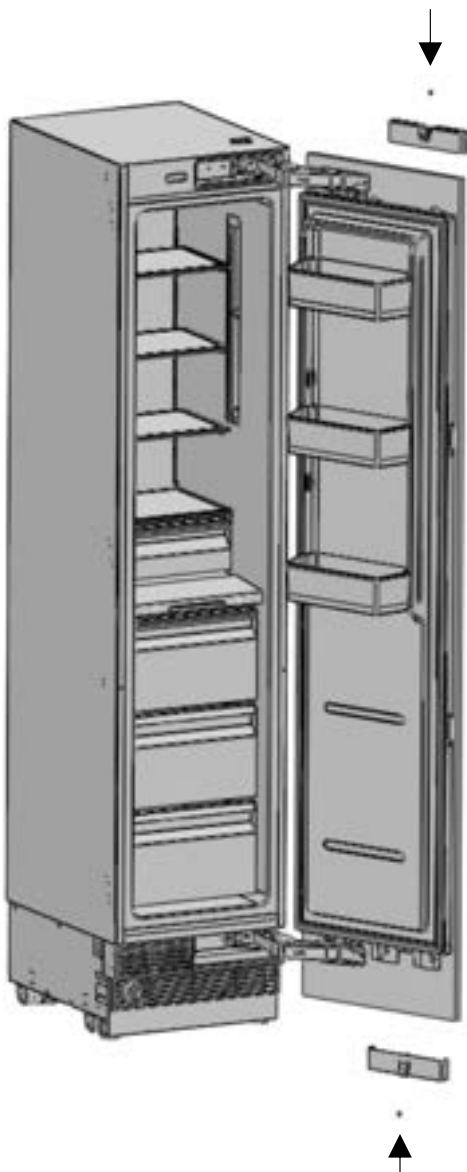
- Perform a similar process with the bolts located at the bottom door panel hanger bracket, as shown below. Secure the door panel completely using a flathead screwdriver.



# INSTALLATION

## SECURING THE DOOR PANEL (RBCFVL-18/RBCFVR-18)

- Re-attach and screw in the upper/lower cover mounting brackets that were removed on page 50.



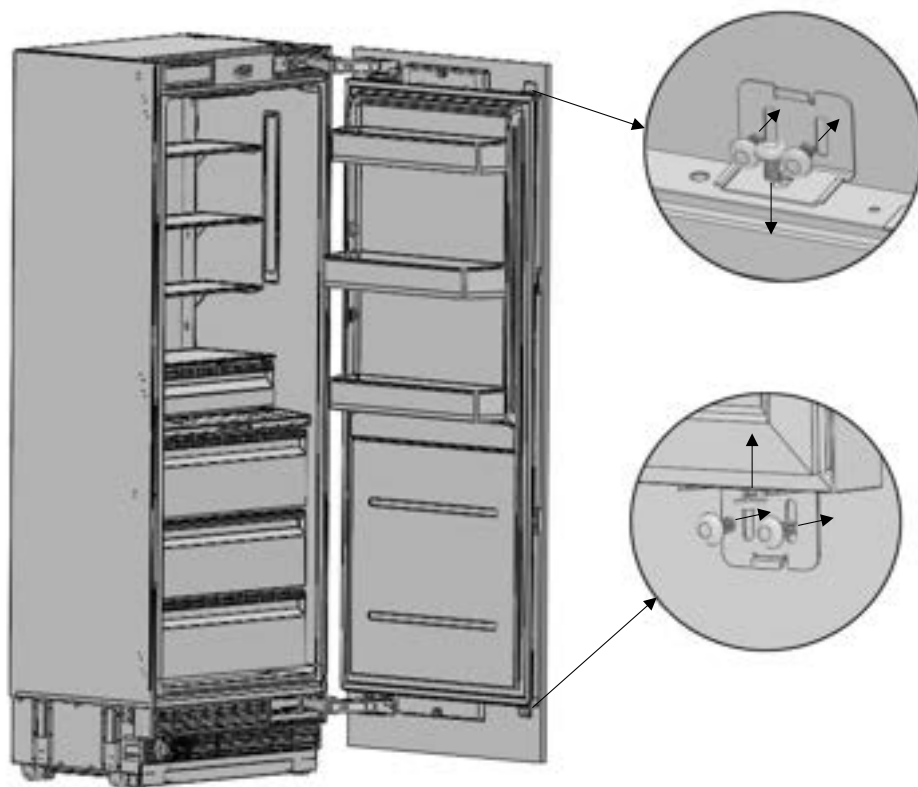
**WARNING**

When finishing the installation, ensure the trim covers are secured back in their original position and the magnet is detected properly. This is an essential part of the unit's functionality.

# INSTALLATION

## SECURING THE REFRIGERATOR DOOR PANEL (RBCFV-24/RBCRV-24/RBCRV-30)

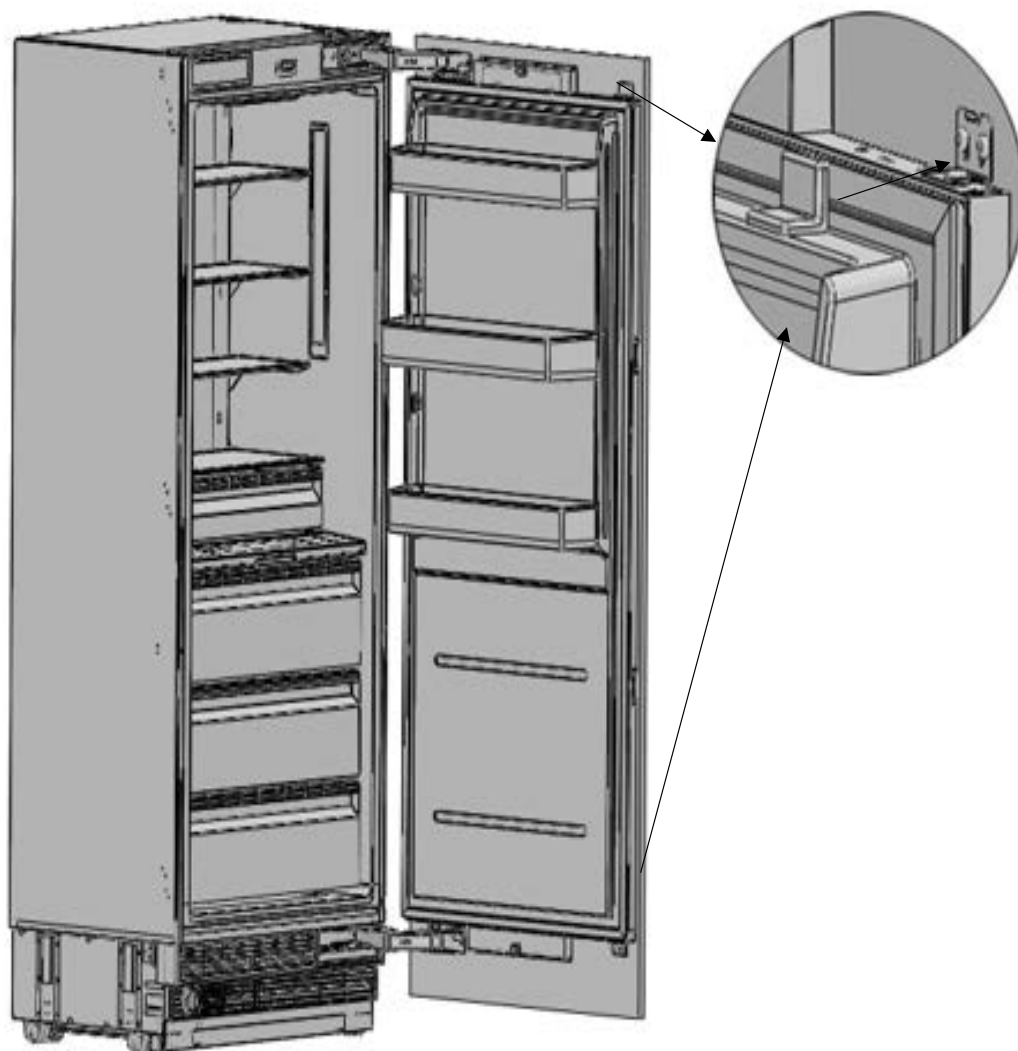
- Once the refrigerator door is aligned at top and bottom, use the door panel connecting bracket (page 26, Item No. 6) to connect to the door.
- Use one door screw (page 26, Item No. 5) to attach each bracket onto the door.
- Use two door screws (page 26, Item No. 7) to attach each bracket onto the panel.



# INSTALLATION

## SECURING THE DOOR PANEL (RBCFV-24/RBCRV-24/RBCRV-30)

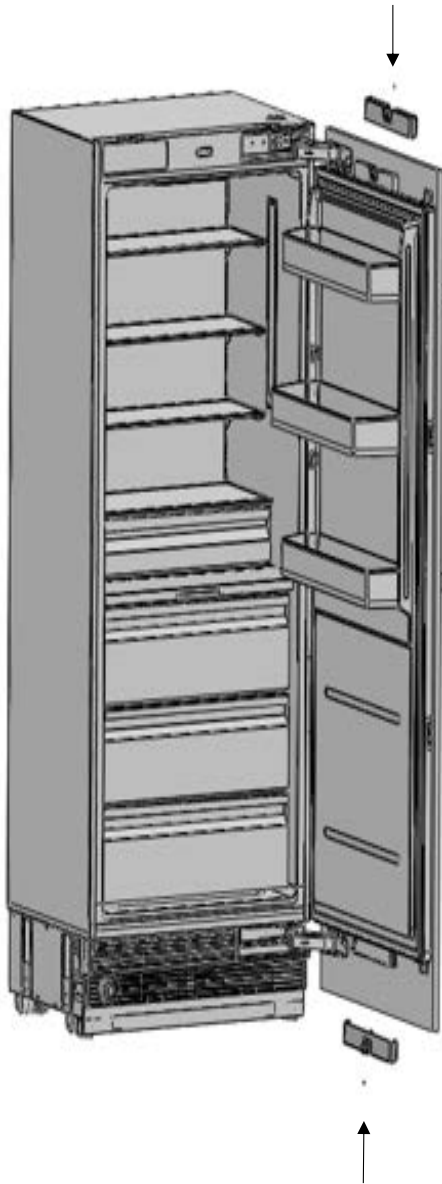
- Clip the door panel connecting bracket cover (page 26, Item No. 4) onto each bracket as shown below.



# INSTALLATION

## SECURING THE DOOR PANEL (RBCFV-24/RBCRV-24)

- Re-attach and screw in the upper/lower cover mounting brackets that were removed on page 50.



**WARNING**

When finishing the installation, ensure the trim covers are secured back in their original position and the magnet is detected properly. This is an essential part of the unit's functionality.

# INSTALLATION

## SECURING THE DOOR PANEL (RBCRV-30)

- Re-attach and screw in the upper/lower cover mounting brackets that were removed on page 50.



**WARNING**

When finishing the installation, ensure the trim covers are secured back in their original position and the magnet is detected properly. This is an essential part of the unit's functionality.

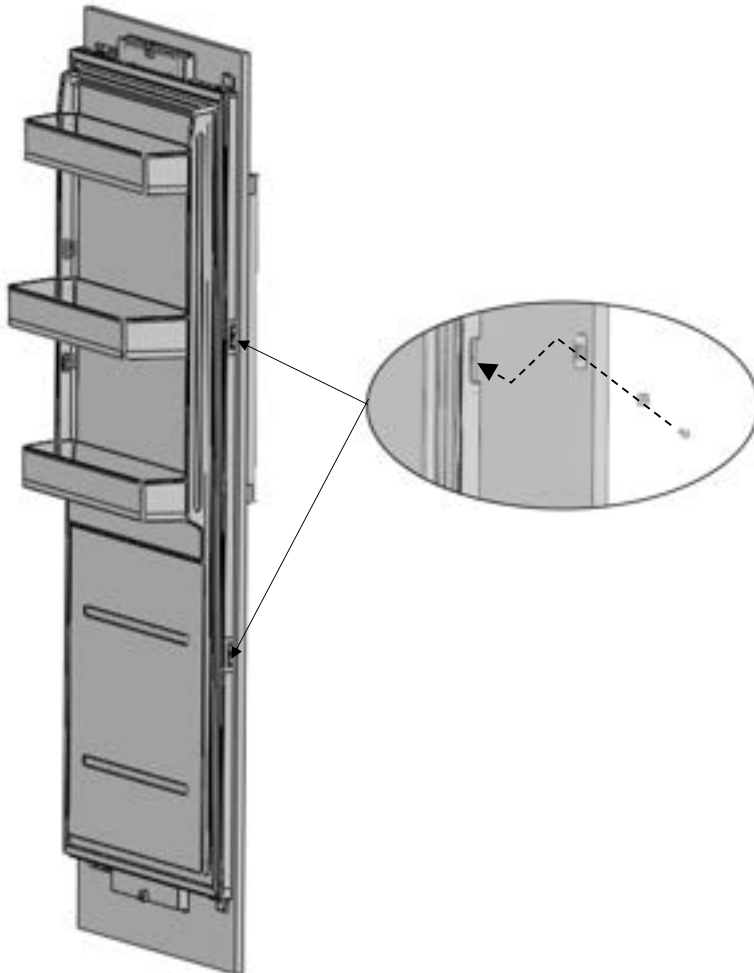
# INSTALLATION

## SECURING THE DOOR PANEL

- Re-attach and screw in the upper/lower cover mounting brackets that were removed on page 50.
- Secure the panel side mounting bracket at the door side by using screws (Item No. 8) and washer (Item No. 9).



You must keep these parts for future use. You will need them if you want to change the door directions if desired.

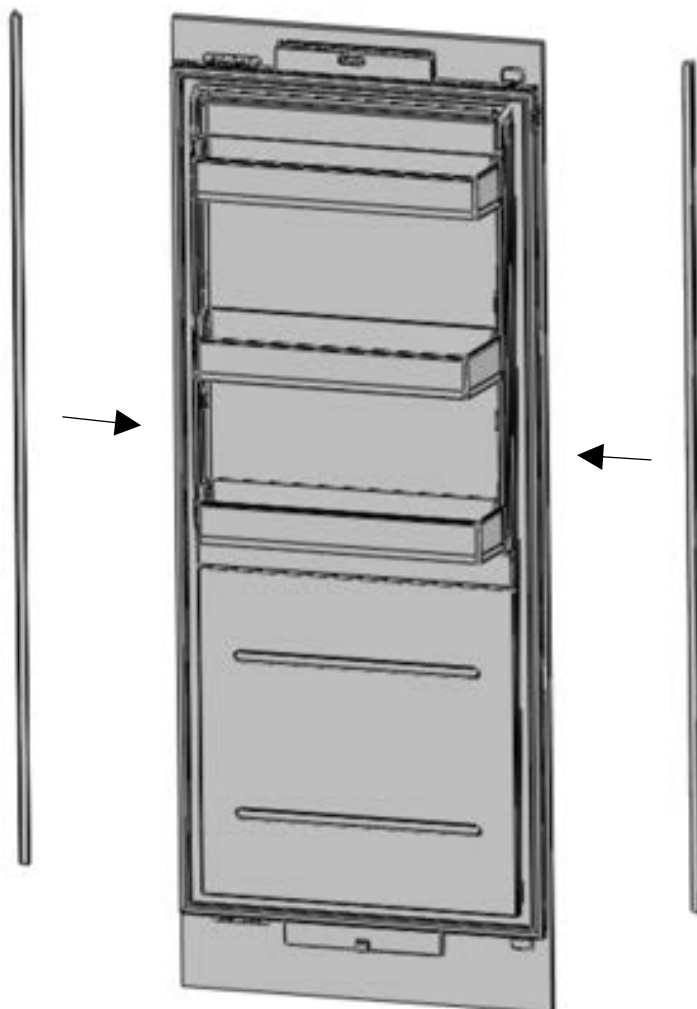
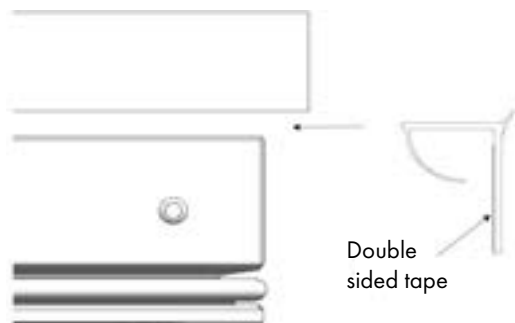


When finishing the installation, ensure the trim covers are secured back in their original position and the magnet is detected properly. This is an essential part of the unit's functionality.

# INSTALLATION

## SECURING THE DOOR PANEL

- Attach the trim door side (Item No. 3) as outlined below.

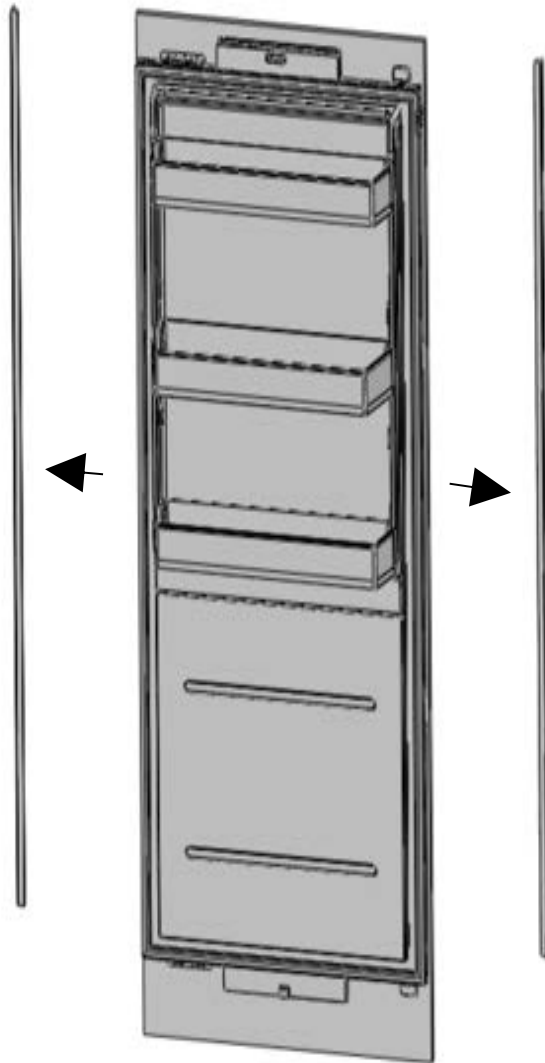




# INSTALLATION

## CHANGING THE DIRECTION OF THE REFRIGERATOR DOOR (RBCFV-24/RBCRV-24/RBCRV-30)

- Remove the side closing seals.



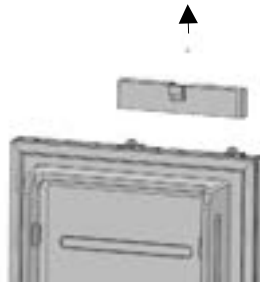
# INSTALLATION

## CHANGING THE DIRECTION OF THE REFRIGERATOR DOOR (RBCFV-24/RBCRV-24/RBCRV-30)

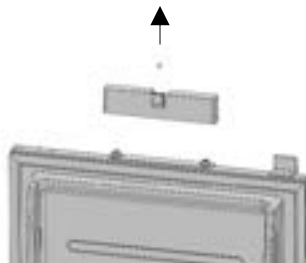
### REMOVING THE DOOR BRACKET COVERS

- Loosen screws of the upper cover of the door and remove it.

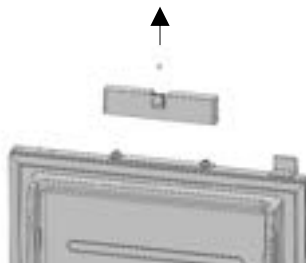
RBCFVL-18/RBCFVR-18



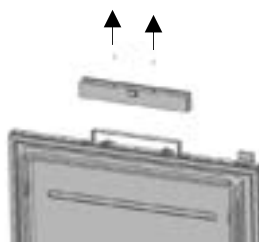
RBCFV-24



RBCRV-24



RBCRV-30



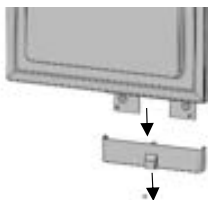
# INSTALLATION

## CHANGING THE DIRECTION OF THE REFRIGERATOR DOOR (RBCFV-24/RBCRV-24/RBCRV-30)

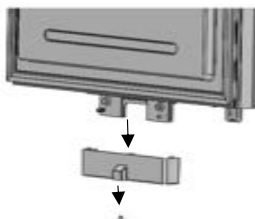
### REMOVING THE DOOR BRACKET COVERS

- Loosen screws of the lower cover of the door and remove it.

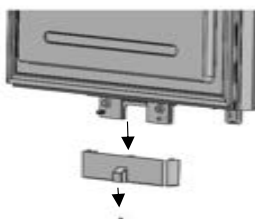
RBCFVL-18/RBCFVR-18



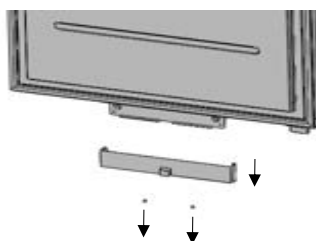
RBCFV-24



RBCRV-24



RBCRV-30

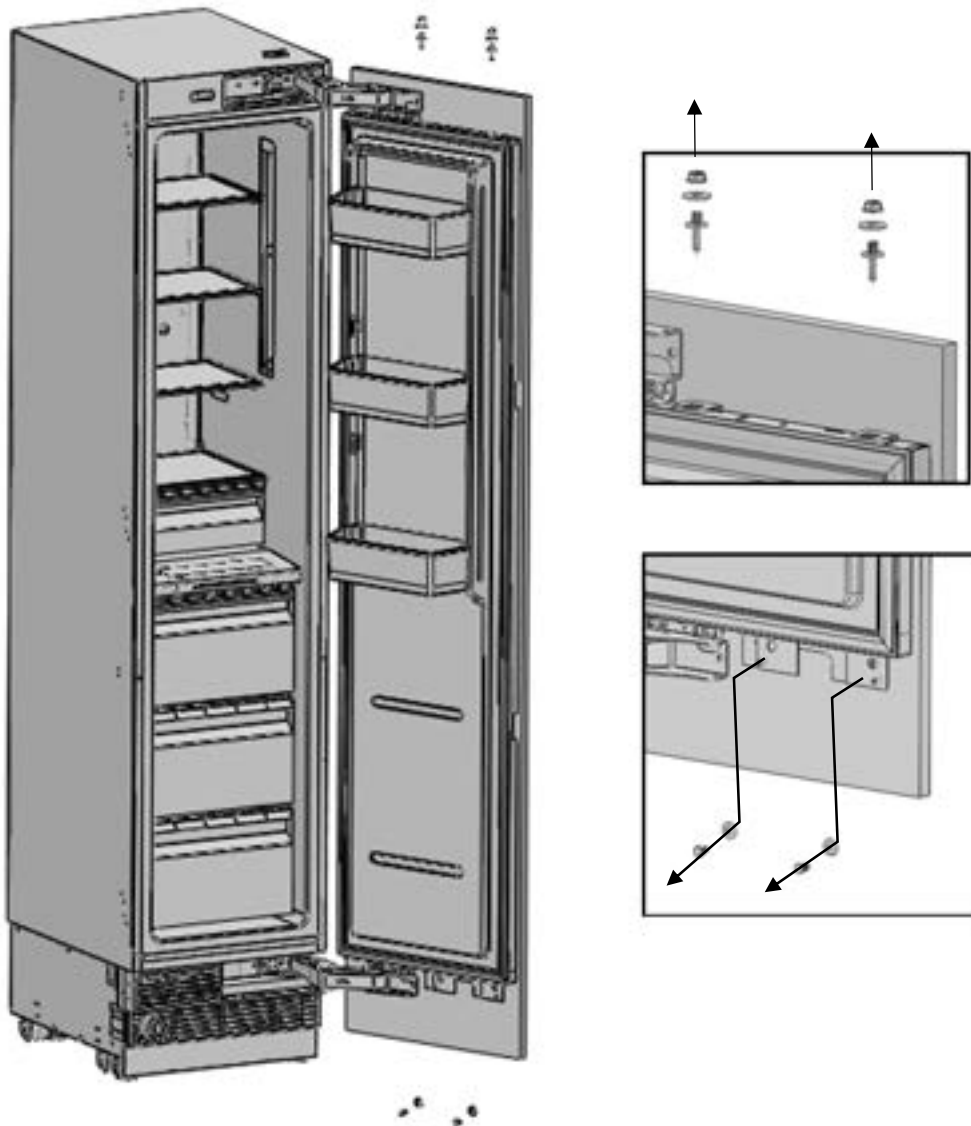


# INSTALLATION

## CHANGING THE DIRECTION OF THE REFRIGERATOR DOOR (RBCFV-24/RBCRV-24/RBCRV-30)

### REMOVING THE DOOR BRACKET COVERS

- Remove the upper and lower adjustment kits.

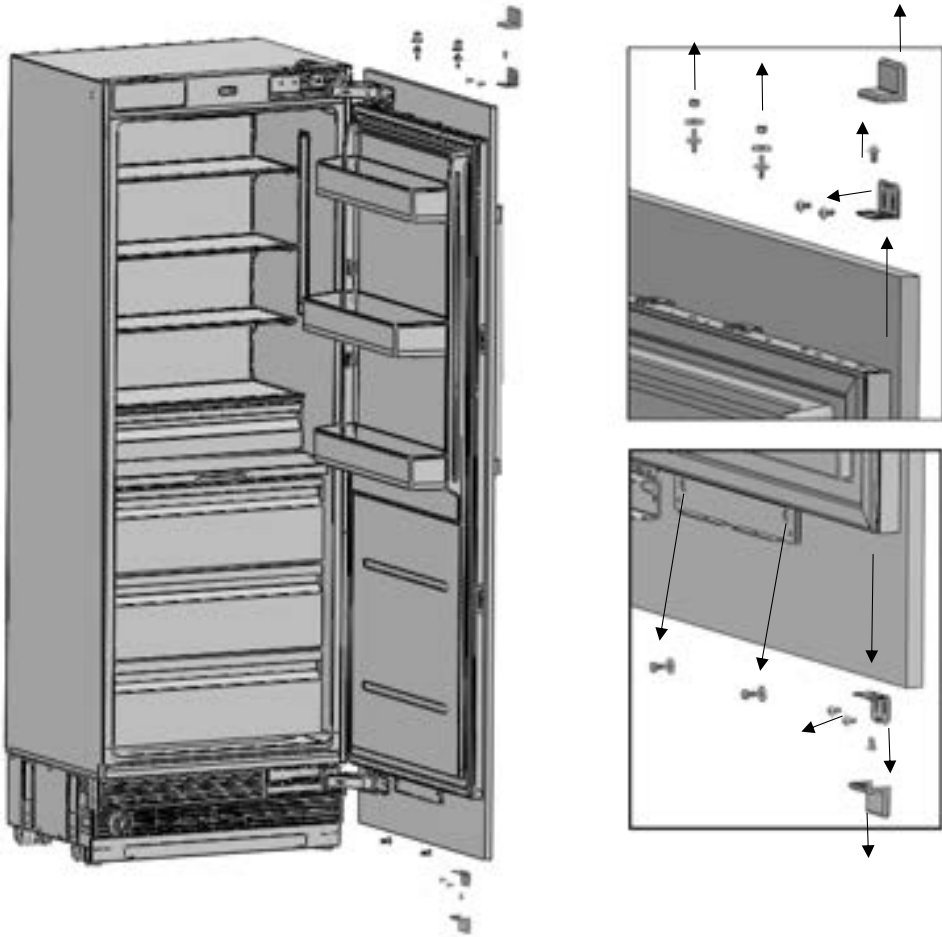


# INSTALLATION

## CHANGING THE DIRECTION OF THE REFRIGERATOR DOOR (RBCFV-24/RBCRV-24/RBCRV-30)

### REMOVING THE DOOR BRACKET COVERS

- Remove the upper and lower adjustment kits.



The refrigerator door assembly will be free once these screws are removed. It will be heavy; be sure to take measures to prevent the door from falling or causing any damage or injury.

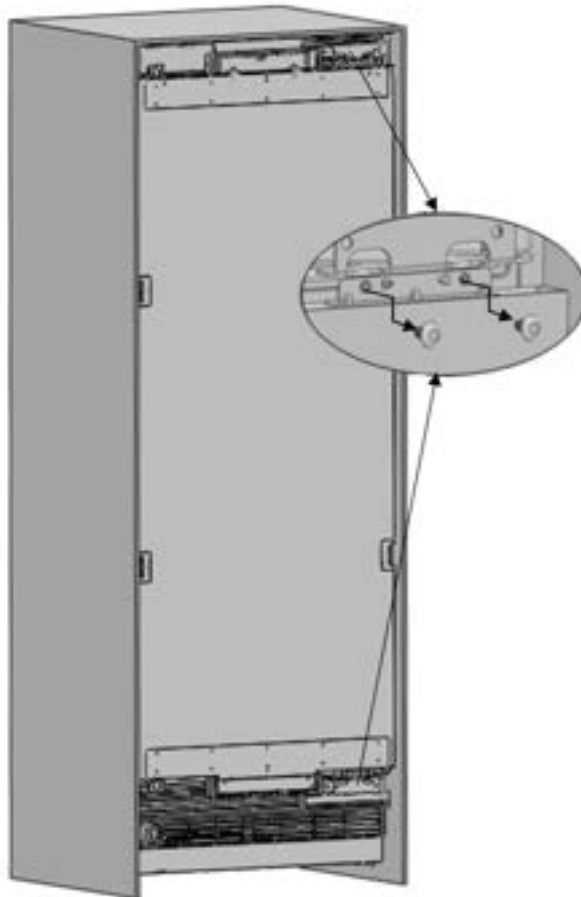
- You can tape the door panel to the inner door or ask for help from another person.
- Once the panel is removed, lay it down on a table upside down.
- You must attach the door panel by rotating it 180° based on its current position.

# INSTALLATION

## CHANGING THE DIRECTION OF THE REFRIGERATOR DOOR (RBCFV-24/RBCRV-24/RBCRV-30)

### REMOVING AND PREPARING THE INNER DOOR

- Remove the 4 hinge connection screws of the hinge brackets as shown below.



**WARNING** The refrigerator door assembly will be free once these screws are removed. It will be heavy; be sure to take measures to prevent the door from falling or causing any damage or injury.

- You can tape the door panel to the inner door or ask for help from another person.
- Once the panel is removed, lay it down on a table upside down.
- You must attach the door panel by rotating it 180° based on its current position.

# INSTALLATION

## CHANGING THE DIRECTION OF THE REFRIGERATOR DOOR (RBCFV-24/RBCRV-24/RBCRV-30)

**NOTE:** It's important to note that the two metal connection brackets (Item Nos. 20 and 21) are not identical. When reversing the hinge, the connection brackets must be re-installed. The hinge brackets are marked with the letters "L" or "R" letter to help distinguish the position. The top uses the smaller bracket and the bottom uses the bigger bracket. For example, If the hinge position is on the left side, please make sure the connector brackets you are using are marked with letter "L". The smaller bracket must be on top. Otherwise, the door will have gaps.

1. Take out the door and lay it down on a table.
2. Remove the brackets on the fridge door.
3. Using the new hinge brackets from the parts bag, screw the brackets onto the reverse sides.

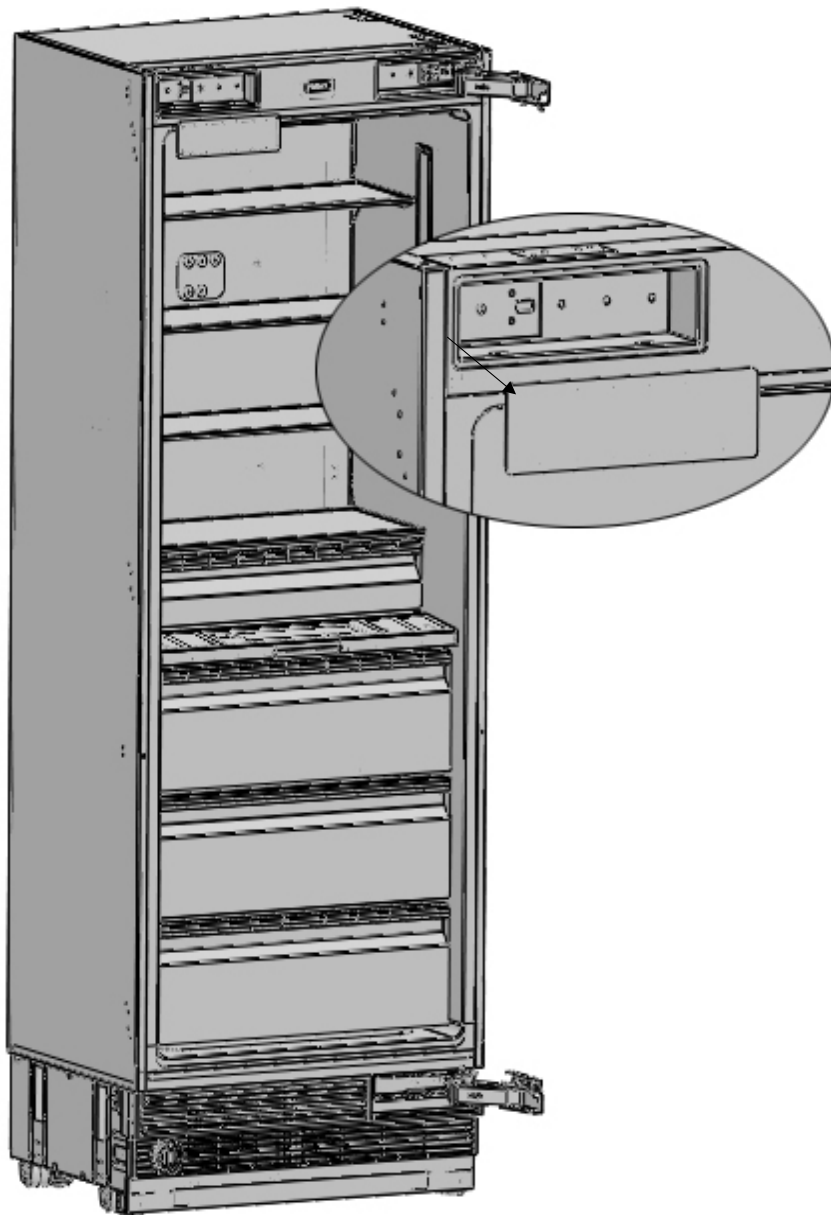


# INSTALLATION

## CHANGING THE DIRECTION OF THE REFRIGERATOR DOOR (RBCFV-24/RBCRV-24/RBCRV-30)

### REPLACING THE HINGES

- Remove the hinge caps located at the other side where you will fix the hinges as outlined below.



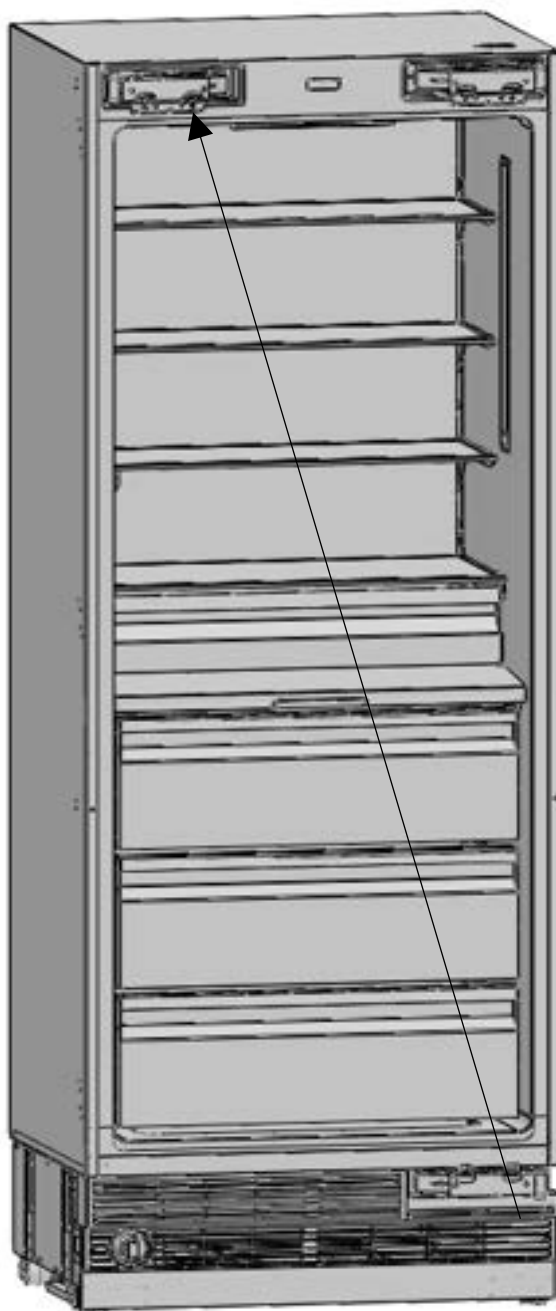


# INSTALLATION

## CHANGING THE DIRECTION OF THE REFRIGERATOR DOOR (RBCFV-24/RBCRV-24/RBCRV-30)

### REPLACING THE HINGES

- Remove the lower right hinge by loosening its two screws and fix it to its slot at the upper left side as outlined below.

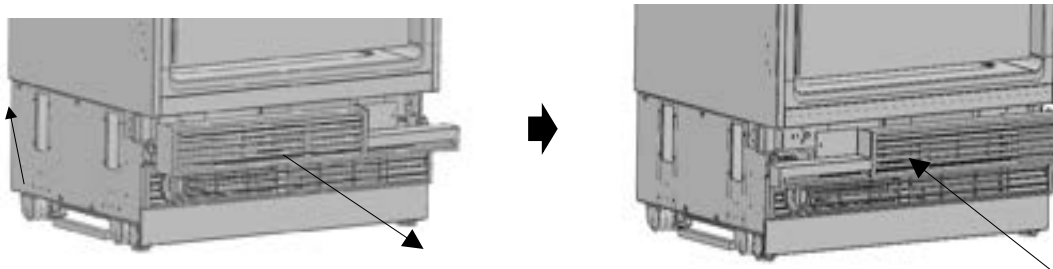


# INSTALLATION

## CHANGING THE DIRECTION OF THE REFRIGERATOR DOOR (RBCFV-24/RBCRV-24/RBCRV-30)

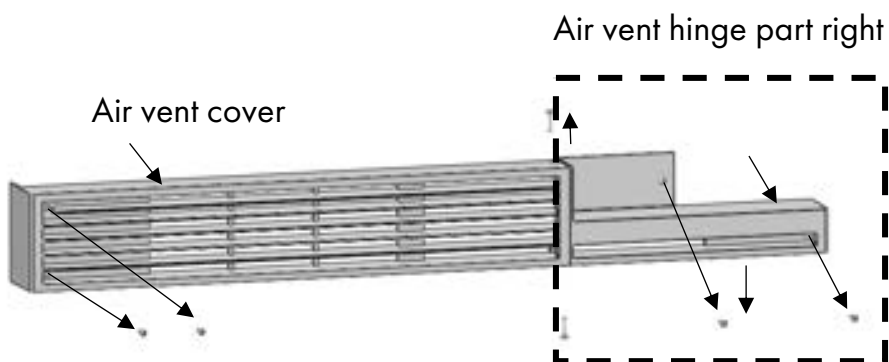
### AIR VENT UPPER PART DIRECTION CHANGE

Remove the air vent part and change direction as shown below.

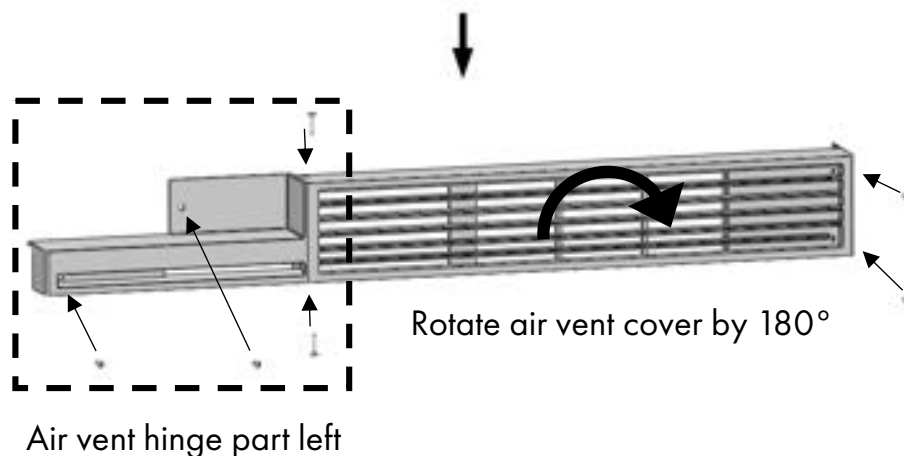


### How to change air vent upper part direction

- The below figure shows the vent upper part for the right hinge:



- Use the vent upper part (page 27, Item No. 16) for the left hinge as outlined below.

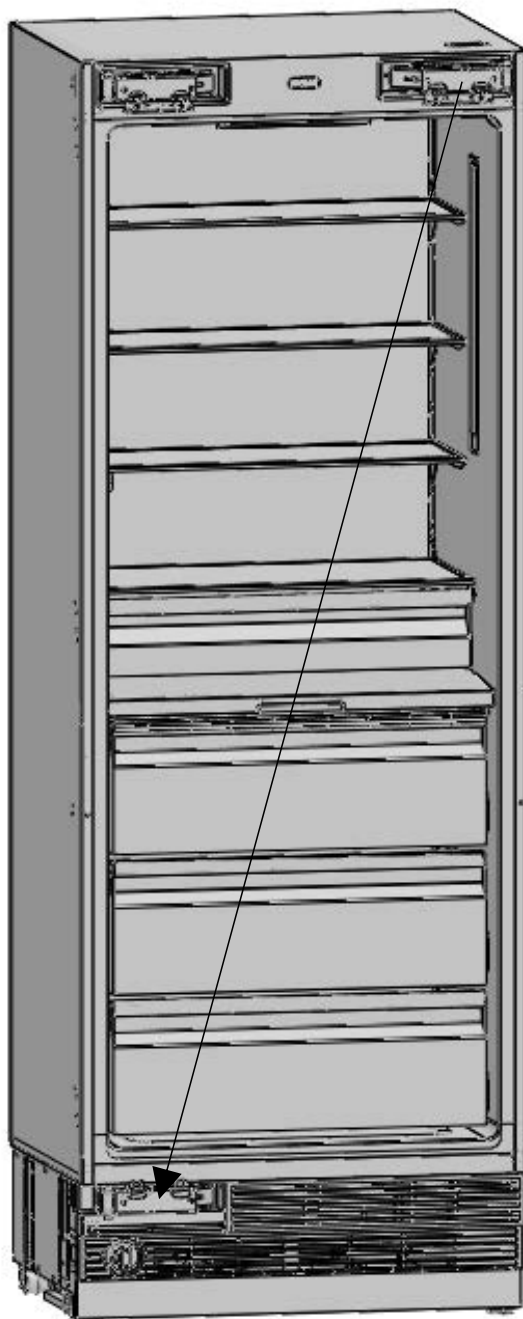


# INSTALLATION

## CHANGING THE DIRECTION OF THE REFRIGERATOR DOOR (RBCFV-24/RBCRV-24/RBCRV-30)

### REPLACING THE HINGES

- Remove the upper right hinge by loosening its two screws and fix it to its slot at the lower left side as outlined below.

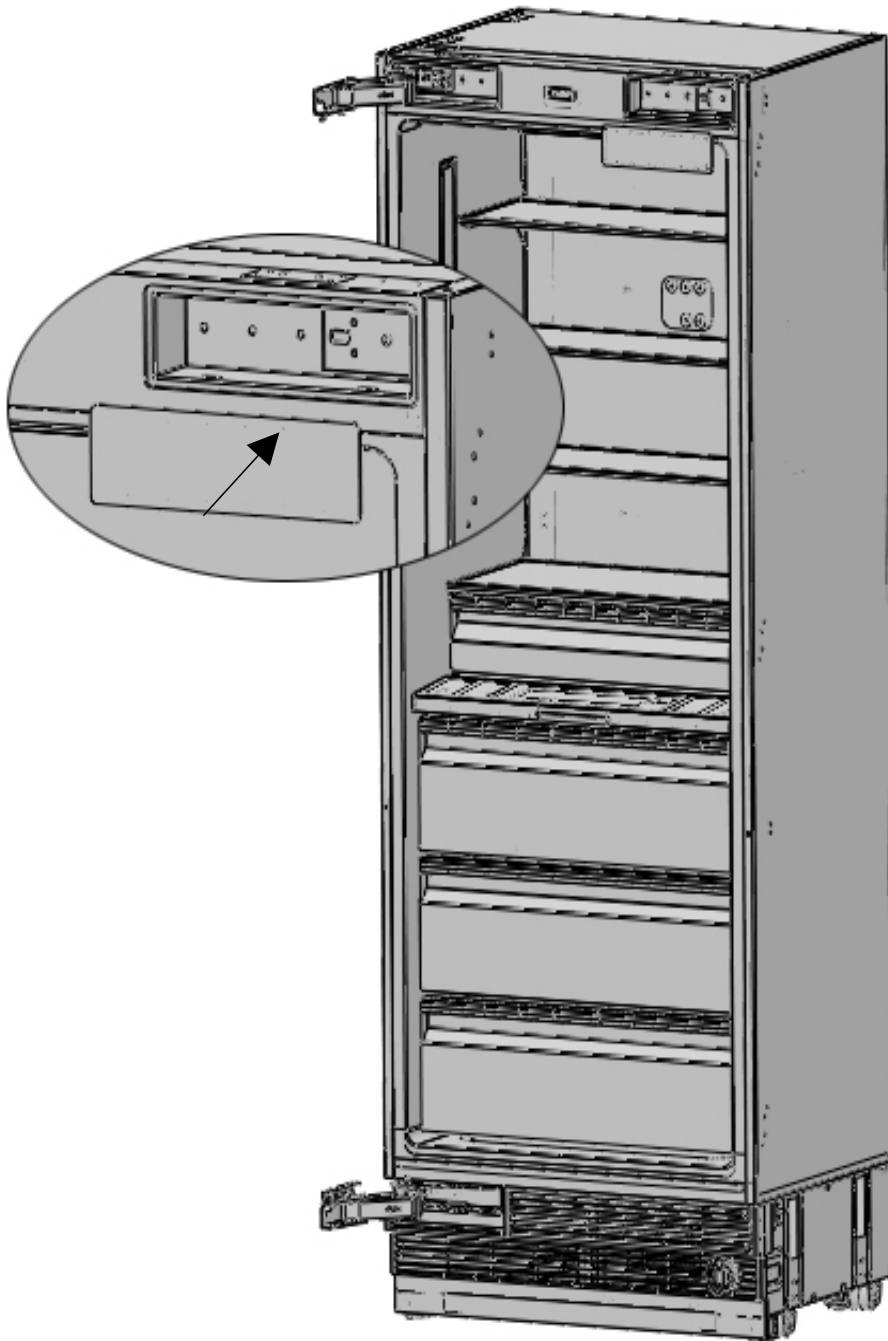


# INSTALLATION

## CHANGING THE DIRECTION OF THE REFRIGERATOR DOOR (RBCFV-24/RBCRV-24/RBCRV-30)

### REPLACING THE HINGES

- Attach the hinge slot caps removed from the left side to the hinge caps at the right side as outlined below.

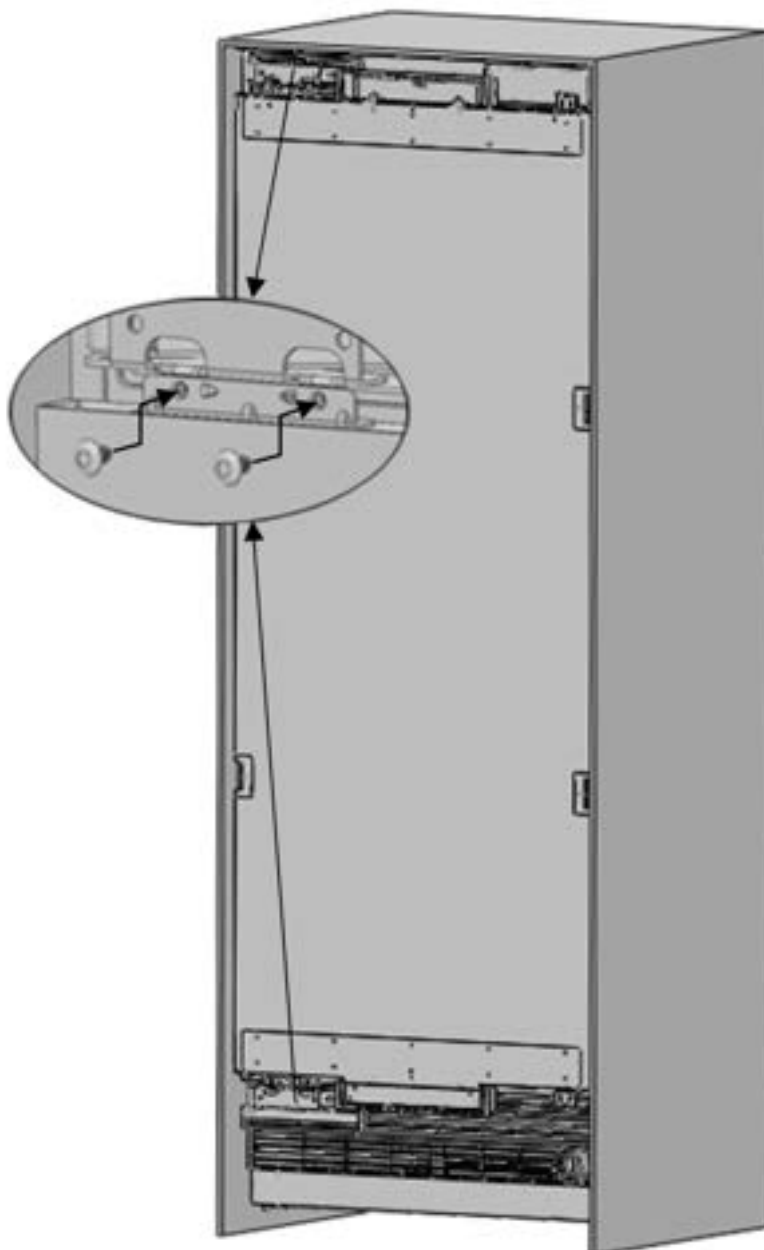


# INSTALLATION

## CHANGING THE DIRECTION OF THE REFRIGERATOR DOOR (RBCFV-24/RBCRV-24/RBCRV-30)

### RE-INSTALLING THE DOOR

- Place the refrigerator or freezer inner door to the unit and affix it with 4 screws removed on page 74 to achieve the new door swing layout as outlined below.



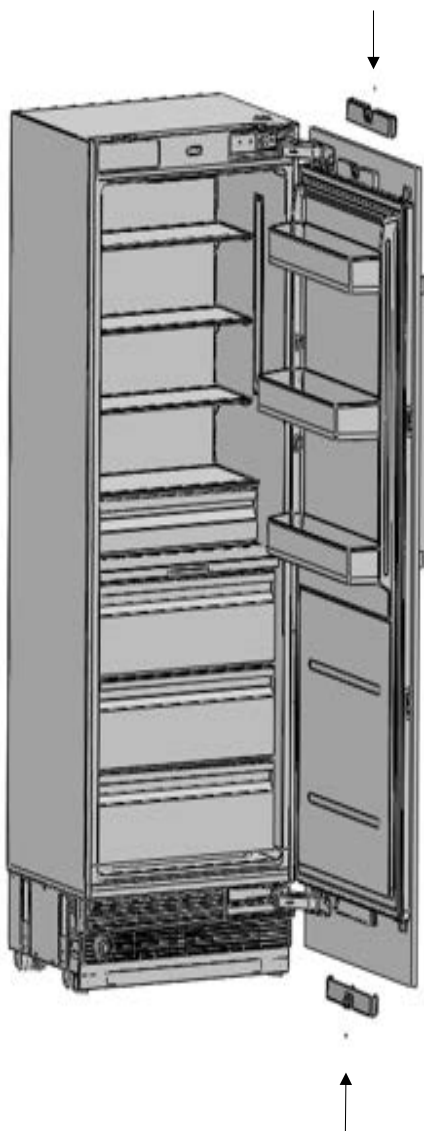
# INSTALLATION

## CHANGING THE DIRECTION OF THE REFRIGERATOR DOOR (RBCFV-24/RBCRV-24/RBCRV-30)

### SECURING THE DOOR PANEL

- Attach and screw the upper/lower decoration cover.

RBCFV-24/RBCRV-24

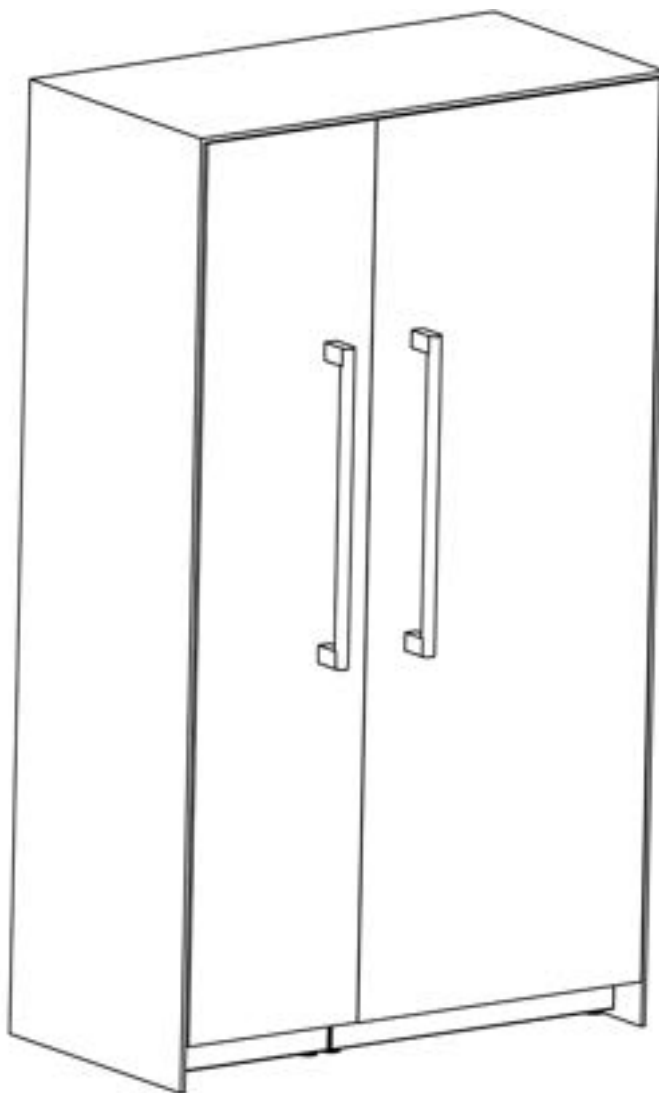


RBCRV-30



# DUAL CABIN INSTALLATION

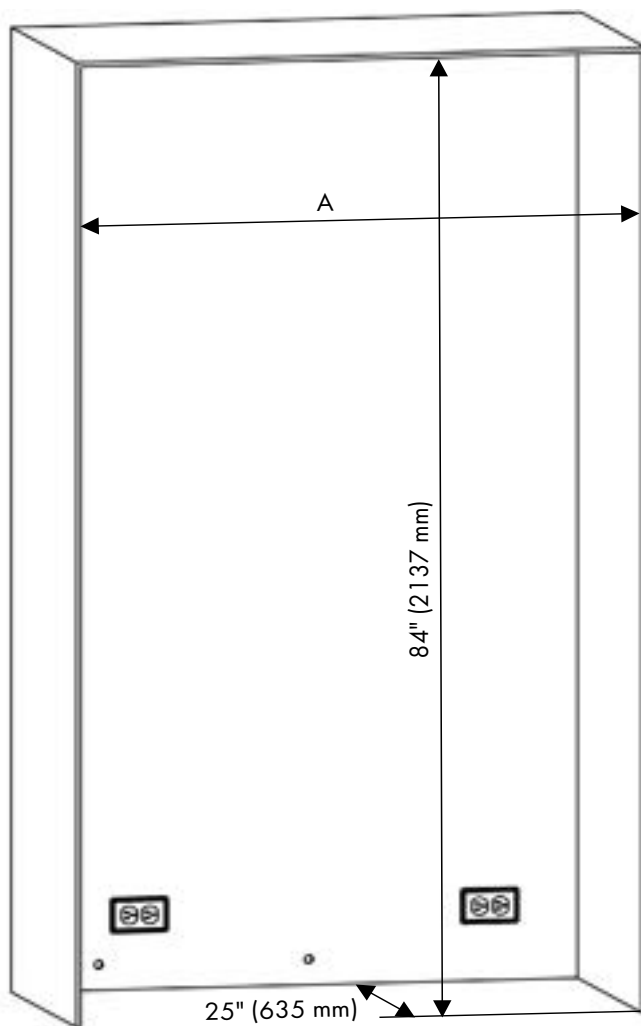
DUAL CABIN INSTALLATION



# DUAL CABIN INSTALLATION

## CABINET DIMENSIONS

- Since all kitchen layouts vary, the recommended dimensions below must be checked by a qualified professional before starting installation.

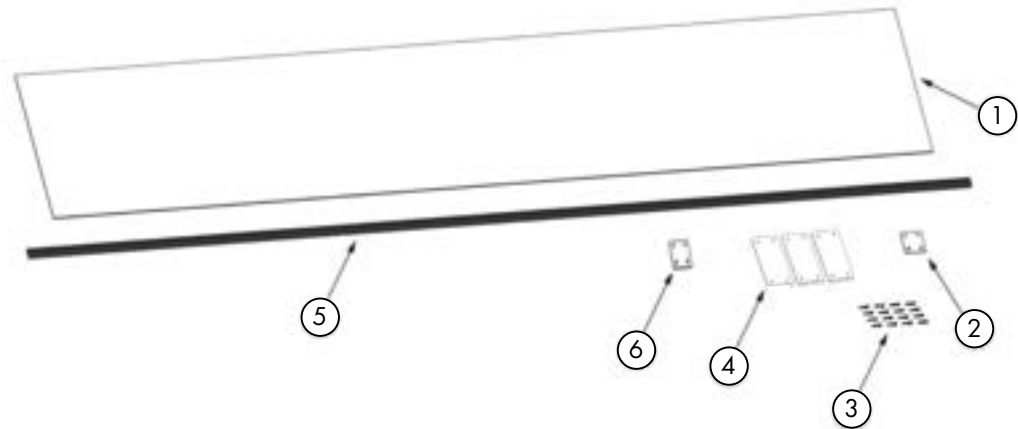



Category	18" + 24"	18" + 30"	24" + 24"	24" + 30"	30" + 30"
A	42 1/8" (1070 mm)	48 1/8" (1222 mm)	48 1/8" (1222 mm)	54 1/8" (1375 mm)	60 1/8" (1527 mm)



# DUAL CABIN INSTALLATION

## JOINING KIT PARTS PROVIDED

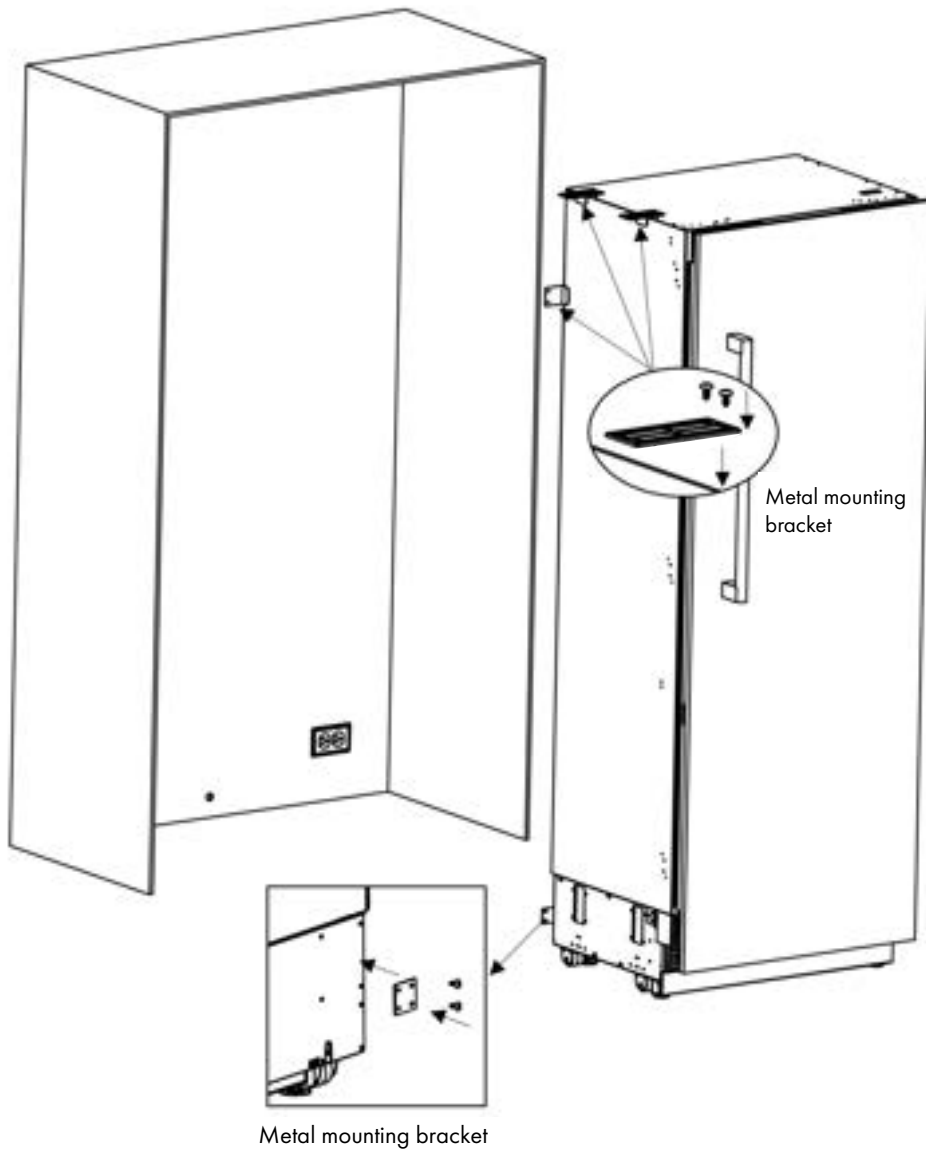


PART NAME	SPECIFICATION	IMAGE	QTY
1. Adhesive Foam Divider	1/8" x 15 3/4" x 68 7/8" (3 mm x 400 mm x 1749 mm)	-	1
2. Metal Mounting Bracket	2 3/16" x 1 5/8" (56 mm x 41 mm)	-	1
3. Screws to secure cabinet mounting bracket to side and top of refrigerator	M4 x 12 mm		16
4. Metal Mounting Bracket	-	-	3
5. Center Divider Trim	73 7/8" (1876 mm)	-	1
6. Connecting Bracket	1 1/8" x 1 7/16" (29 mm x 36 mm)	-	1

# DUAL CABIN INSTALLATION

## MOUNT UPPER BRACKETS AND LOWER BACK BRACKET TO CONNECT REFRIGERATORS OR FREEZERS

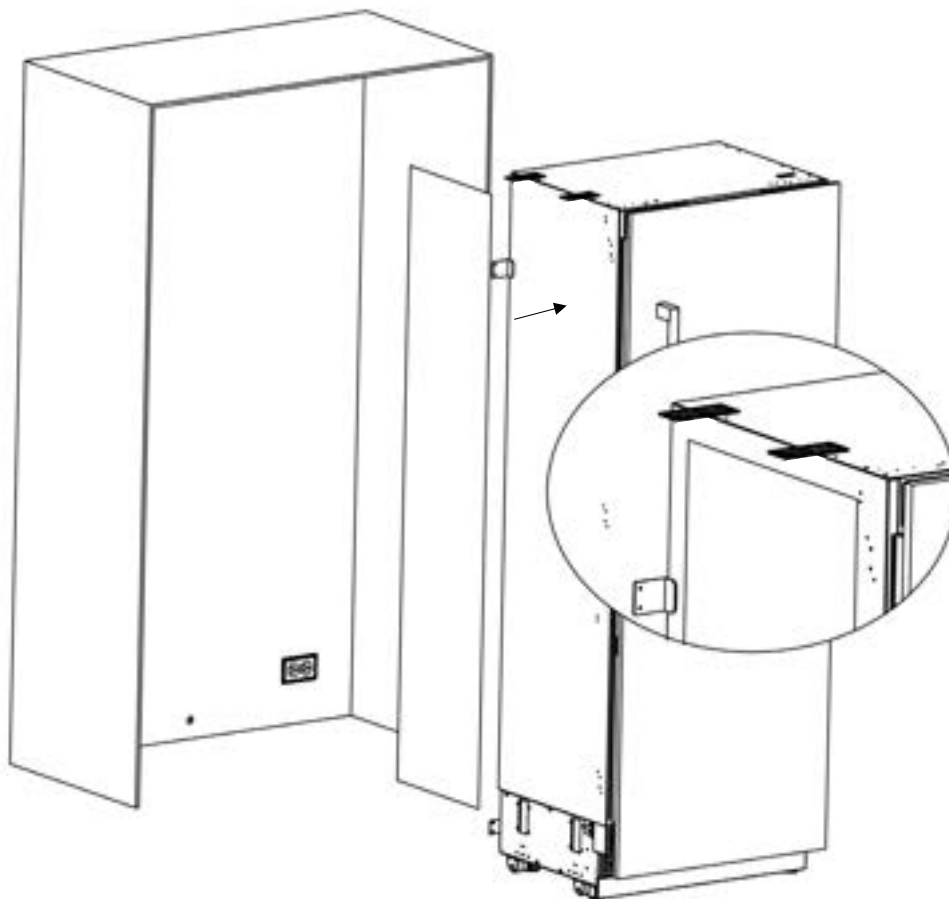
1. Screw (page 85, Item No. 3) the metal mounting brackets (page 85, Item No. 4) that are going to be used to connect two refrigerators together to the locations as outlined in the below figure.



# DUAL CABIN INSTALLATION

MOUNT UPPER BRACKETS AND LOWER BACK BRACKET  
TO CONNECT THE UNITS

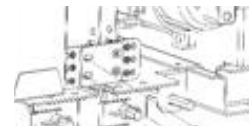
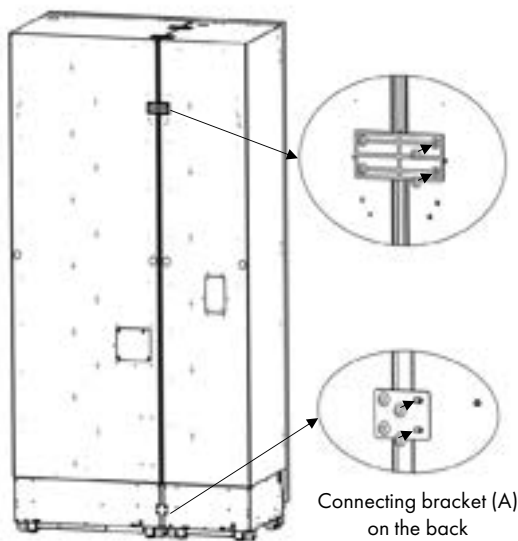
1. Stick the adhesive foam divider (page 85, Item No. 1) to the side panel so that the sponge remains in between two cabins.



# DUAL CABIN INSTALLATION

## PUSH INTO PLACE

1. Bring the two units side by side.
2. After making sure that they are in alignment, screw the metal mounting brackets (page 85, Item No. 4) to the other refrigerator.
3. Screw the metal mounting bracket (page 85, Item No. 2) on the back and screw connecting bracket (page 85, Item No. 6) on the front.



Connecting bracket (B)  
on the front

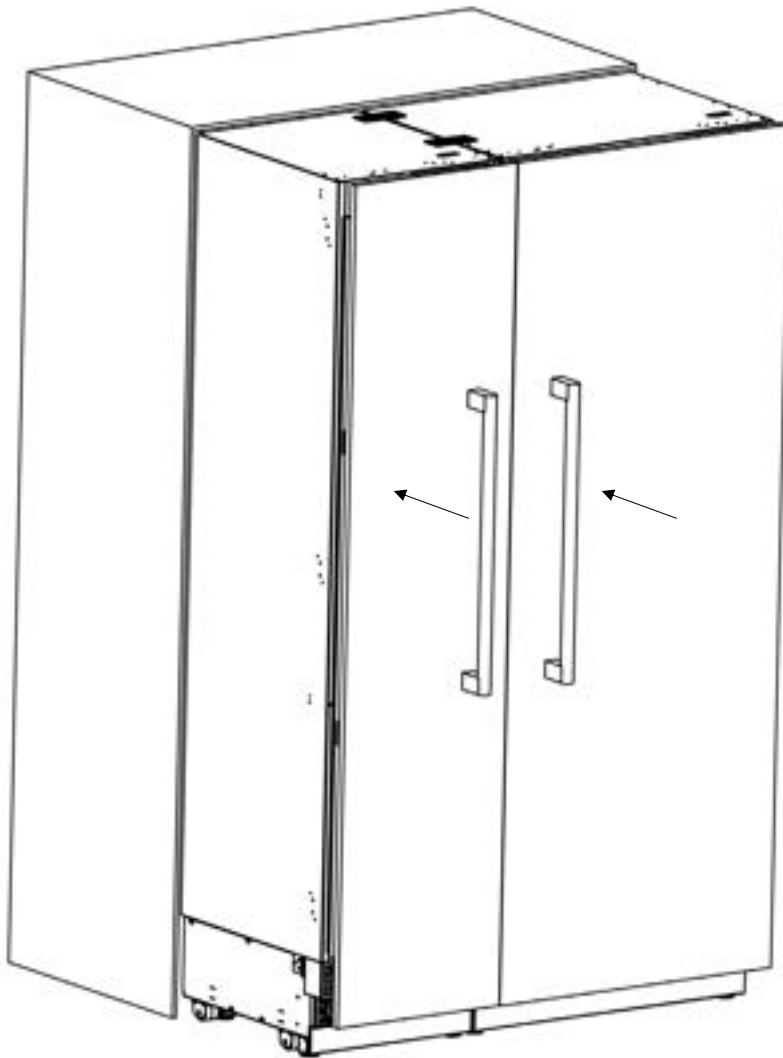


Units are top-heavy. Take care when installing the product; two-person assembly is highly recommended.

# DUAL CABIN INSTALLATION

## PUSH INTO PLACE

1. Before pushing into place, install the necessary power and water connections and anti-tip brackets (refer to directions earlier in this manual).
2. Uninstall the door on the left unit and re-orientate the inside drawers and hinges so the handle to the door pulls out to the left — opposite of the door on the right unit — then reinstall the door (refer to directions earlier in this manual).
3. Carefully push the dual unit into the cabinet and ensure there is a 1/8" (3 mm) gap on either side.



Refrigerators are top-heavy and weigh 345 lb (156 kg). The dual unit weighs close to 700 lb (318 kg). Take care when installing the product; two-person assembly is highly recommended.

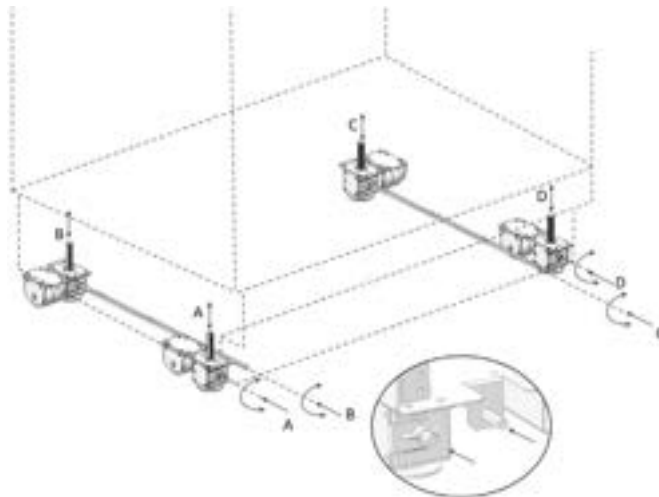
# DUAL CABIN INSTALLATION

## ADJUSTING THE HEIGHT

- With the dual unit now pushed into the cabinet, the feet need to be raised in order to secure the product to the anti-tip brackets.
- You may use a drill with a 1/4" hex bit or a socket wrench to adjust leg height; we recommend using a socket wrench by hand to avoid the risk of stripping the legs.
- Do not use an impact drill to adjust the feet; doing so may cause damage.



It's important to raise the front feet first to reduce risk of the appliance falling forward, which would increase the risk of injury.



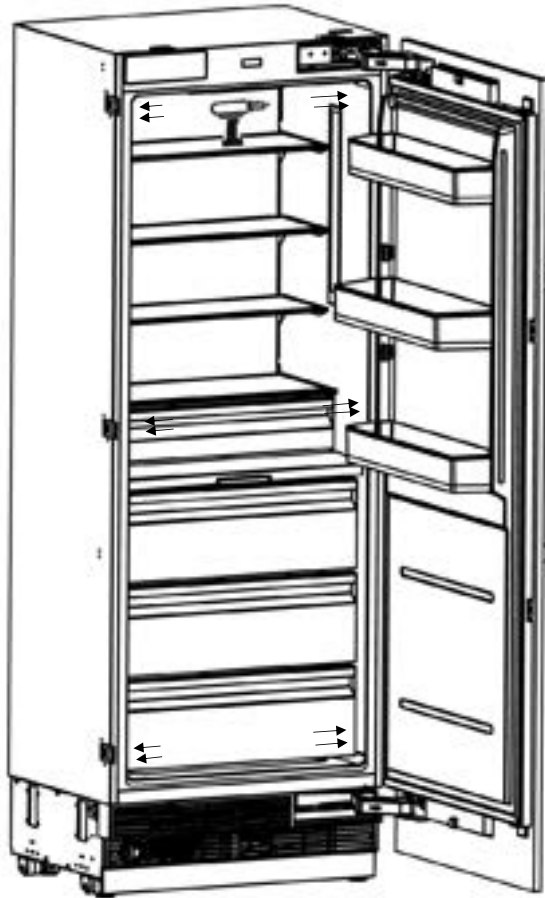
A/D — Turn the key clockwise to lift the front

B/C — Turn the key clockwise to lift the rear

# DUAL CABIN INSTALLATION

## SCREWING THE CABINET BRACKET ON THE CABINET SIDE WALL

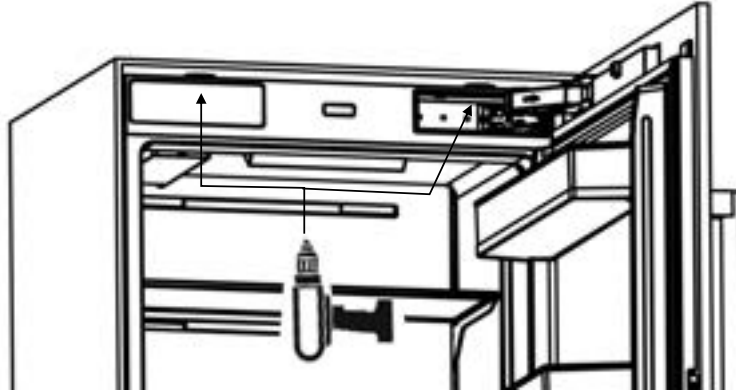
1. Attach the brackets to the cabinet with 12 screws.



# DUAL CABIN INSTALLATION

## SECURING THE DUAL UNIT INTO THE CABINET CUTOUT

1. Using the remaining cabinet mounting bracket screws provided with your parts kit, secure the right unit to the cabinet — 4 screws on top and 6 on each side.
2. After the right unit is secured into the cabinet, secure the left unit into the cabinet in the same manner — 4 screws on top and 6 on each side.

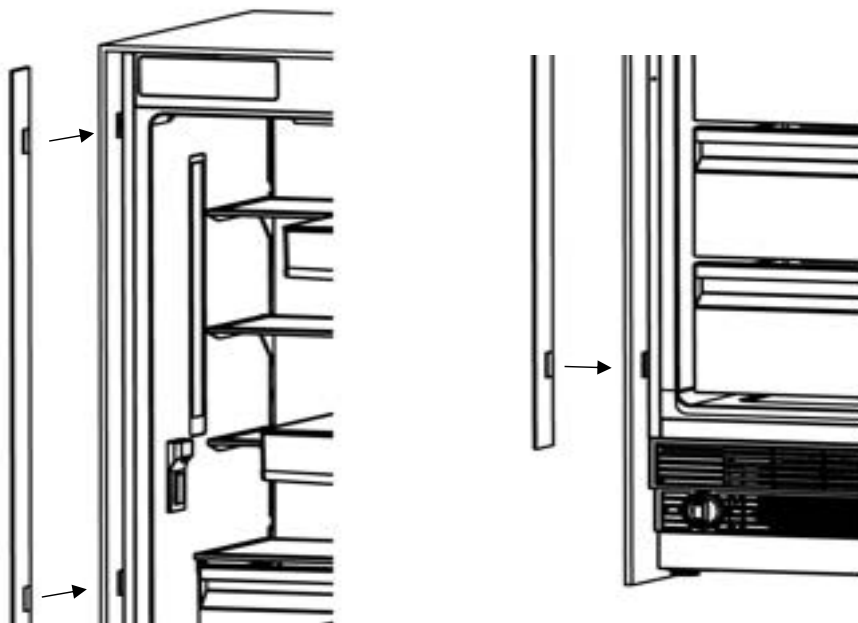




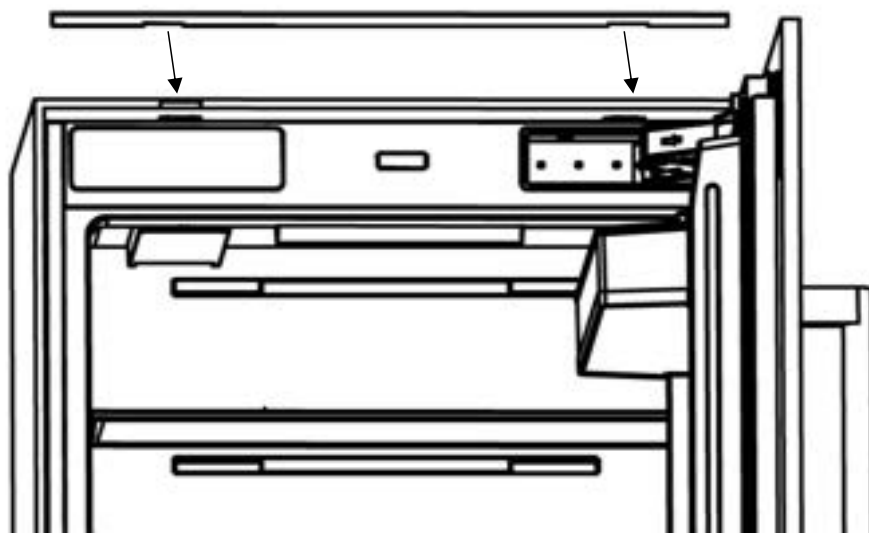
# DUAL CABIN INSTALLATION

## ATTACHING THE TRIM PIECES

1. Attach the side trim pieces provided with the parts kit onto the outer sides of each unit, covering the cabinet mounting brackets as shown below.



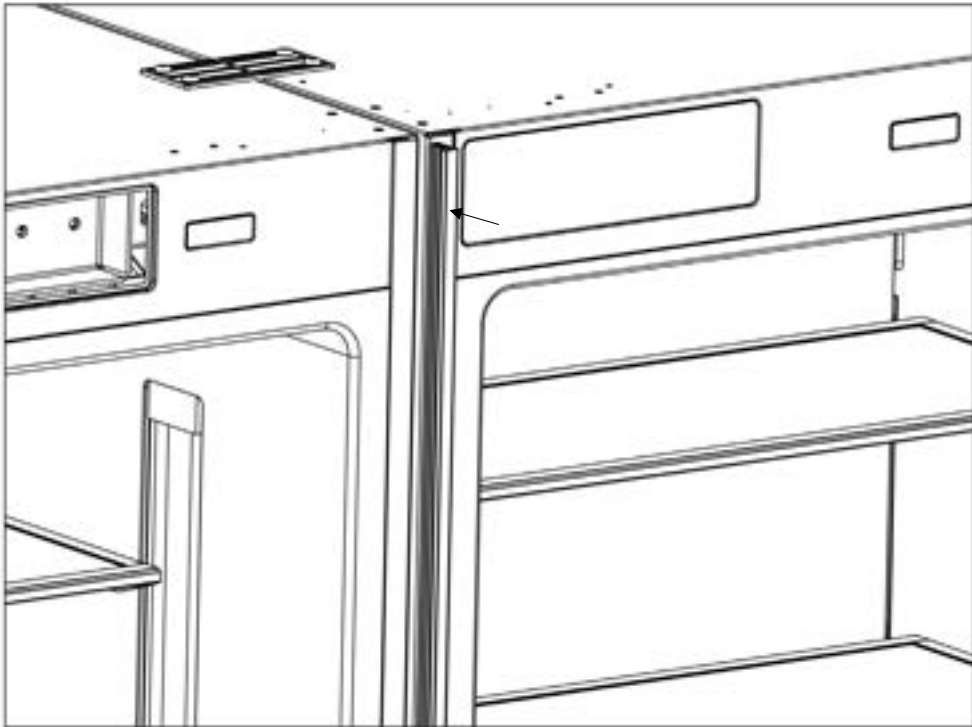
2. Attach the top trim pieces provided with the parts kit onto the tops of both units, covering the cabinet mounting brackets as shown below.



# DUAL CABIN INSTALLATION

## INSTALL DIVIDER TRIM

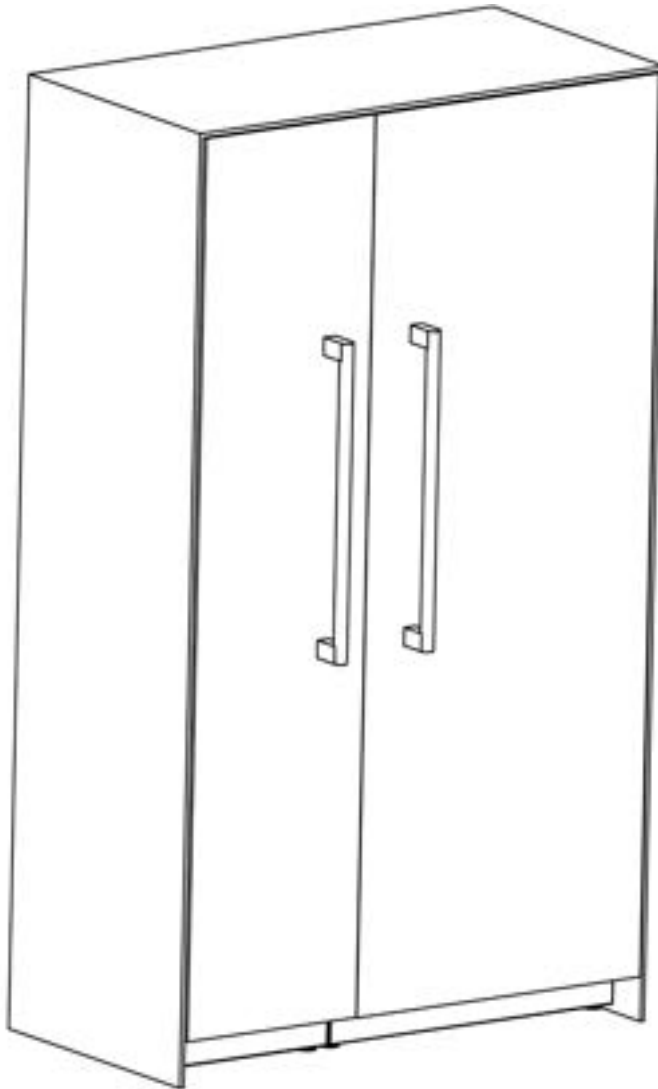
1. After ensuring both units are flush and everything is level, insert the center divider trim (Item No. 5 in the dual unit parts list) between both units and lightly pound into place with the back of your fist.



# DUAL CABIN INSTALLATION

INSTALLATION COMPLETE

**IMPORTANT:** Refer to this Installation Manual as needed for other installation procedures.



# WARRANTY

## COVERAGE

ZLINE Kitchen and Bath ("ZLINE") column refrigerators and freezers have a two year parts and service warranty and a five year parts warranty on the unit's sealed cooling system.

ZLINE warranty periods begin from the original date of product delivery and solely cover the original purchaser of the product, delivered new and in its original carton. The limited warranty covers all parts and labor for necessary repairs if any part of the product, or the product itself, proves to be defective in materials or workmanship.

The product must be deemed serviceable via troubleshooting with the ZLINE Customer Experience team. All service on ZLINE products under warranty must be performed by ZLINE-approved and ZLINE-certified service providers unless otherwise specified by ZLINE. Service will be provided during normal business hours.

Products must be unobstructed and accessible to the service provider at the time of service. ZLINE's liability is limited to the original purchase price of the product. Additional injuries, losses, damages, or other inconveniences caused by product malfunction or defects in materials are not covered under the terms of this warranty.

## TERMS

ZLINE warranties apply only to the original purchaser of a ZLINE product installed for normal residential use. This is defined as a single-family, residential dwelling in a non-commercial setting. Any warranty claim stemming from installation, operation, or any other use within a commercial setting is not covered under this limited warranty. Commercial settings include, but are not limited to: schools, churches, hotels, restaurants, vacation rentals such as Airbnb, daycare centers, private clubs, fire stations, common areas in multi-family dwellings, nursing homes, food service locations, and institutional food service locations such as hospitals or correctional facilities.

This warranty is non-transferable and will not under any circumstance be extended based on the date of installation — the warranty period takes effect from the date of delivery and only covers the original purchaser. The warranty applies only to products installed in the contiguous United States and the District of Columbia.

# WARRANTY

Failure to secure certified warranty service per these terms will result in a forfeiture of the remaining warranty. Out-of-pocket payments will not be reimbursed unless prior approval is received from ZLINE and/or ZLINE-certified service contract partners. Unapproved out-of-pocket payments for service will not be reimbursed. All warranty procedures must be followed to maintain warranty coverage.

If a product qualifies within the service window provided under these warranty terms, and ZLINE is unable to repair the product or a defective part of the product after a reasonable number of attempts, ZLINE reserves the right to offer to replace the defective part or the product or provide the original purchaser a full refund of the purchase price of the product (not including installation, removal, or other charges that were not included in the original purchase price).

The original purchaser of the product must provide the original proof of purchase, including the purchase date, when filing a claim to obtain replacement parts, service, or refunds. Additionally, the original purchaser of the product must provide the serial number of the product when filing a claim to obtain replacement parts, service, or refunds.

This warranty shall not apply to any ZLINE product in which the original factory serial number has been removed, altered, or cannot be readily determined for any reason. Further, ZLINE is not responsible for damage resulting from, but not limited to: shipment, delivery, or improper installation; negligence or improper maintenance, misuse, or abuse of the product; unauthorized alteration, modification, or tampering with the product; accident, fire, floods, pest infestations, pandemics, natural disasters, or any other unpreventable or unexplained acts of nature, commonly referred to as "acts of God"; flare-up fires or damages caused by improper electric supply, electrical line current, voltage, or power surges; and service to correct installation not in accordance with the instructions contained in ZLINE's product manuals and/or with local government codes.

In the event service is dispatched, and it is discovered that the reported issue is not covered under warranty based on the disclaimers above, the customer will be responsible for all service fees. Failure to pay these fees will result in the forfeiture of remaining warranty coverage.

# WARRANTY

Information contained within ZLINE's installation and user manuals, in addition to product information included on ZLINE's website and all related digital listings, do not cover every possible condition and situation that may occur during the installation or operation of ZLINE products.

ZLINE reserves the right to make changes at any time to its products when considered safe, necessary, and useful. Always check the ZLINE website for the most up-to-date version of its product manuals: [www.zlinekitchen.com/pages/manuals](http://www.zlinekitchen.com/pages/manuals).

Do not install or operate any ZLINE product if it has missing or broken parts or if it arrives damaged due to shipping. If ZLINE products arrive damaged, contact ZLINE Customer Experience at 1-614-777-5004 for help. Failure to report a damaged appliance prior to installation or operation may void the warranty.

ZLINE disclaims responsibility for damage or injury caused by improper installation or use of any of its products. ZLINE is under no obligation, by law or otherwise, to provide concessions, including repairs, prorates, rebates, discounts, or replacements, once the warranty has expired.

## SERIAL NUMBER LOCATION



The rating tag shows the model and serial number of your refrigerator. The product label and rating tag are located on the left-hand side of the cabinet. The tag is visible when the refrigerator door is open. Do not remove permanently affixed labels, warnings, or plates from the product. This will void the warranty.

# WARRANTY



## SERVICE

For warranty service, please contact our Customer Service team at 1-614-777-5004 or visit [www.zlinekitchen.com/contact](http://www.zlinekitchen.com/contact) to utilize our online Customer Experience Portal.



Scan the QR code to view the most up-to-date version of our user manual and installation manual.



Need to purchase a part or accessory for your ZLINE product?  
Visit [www.zlineparts.com](http://www.zlineparts.com), ZLINE's official parts distribution partner.

1.5.1

[zlinekitchen.com](http://zlinekitchen.com)

1-614-777-5004

[contact@zlinekitchen.com](mailto:contact@zlinekitchen.com)

**ZLINE**  
ATTAINABLE LUXURY®