

GAS SLIDE-IN RANGE SPECIFICATIONS



DIMENSIONS & WEIGHT

Width	29 7/8"
Depth	26 1/2"
Height	35 15/16"
Net Weight	176.3 lbs
Shipping Weight	209.4 lbs

CONTROL

Oven Control	Stainless Steel Touch
Cooktop Control & Material	Knob
Drawer Control & Material	Stainless Steel Touch
Display	White, Red VFD
Electronic Clock & Timer	Yes
Control Lock Function	Yes
Clock	12hr or 24hr (option)
Temperature Unit of Measure	°F or °C (option)
Cooking Complete Reminder	Yes

WARRANTY

Limited Warranty	3 Year
------------------	--------

INFORMATION

Model	UPSG3014ST
-------	------------

SMART FUNCTION

Wi-Fi	Yes
-------	-----

COOKTOP

Top Material	Stainless Steel
Cooktop Burner Type	Sealed Burners Brass Burner
Fuel Type	LNG / LPG
Grates	Continuous, Dishwasher Safe
# of Grates	3
Knobs	Push & Turn
Knobs Material	Aluminium
# of Burners	5
Burner Power	
- Left Rear	9,000 / 9,000 BTU/h
- Right Rear	5,000 / 5,000 BTU/h
- Center Rear (Single Oval)	10,000 / 10,000 BTU/h
- Left Front	12,000 / 10,000 BTU/h
- Right Front	18,500 / 12,500 BTU/h

OVEN

Capacity	6.3 cu. ft.
Oven Cleaning	Self Cleaning & Speed Clean™
Variable Cleaning Time	Self Cleaning (2,3,5 hrs), Speed Clean™ (10 min.)
Easy Swivel Handle™	Yes
GlideShut™ Door	Yes
Broil Element	15,000 / 12,500 BTU/h
Convection Element	19,000 / 17,000 BTU/h
Convection Conversion	Yes
Convection System	Pro Heat™ Convection System
# of Rack Positions	7
Audible Preheat Signal	Yes
Oven Meat Probe	Yes
Automatic Shut Off	After 12 hours
Temperature Display	Yes
Interior Oven Light	Yes

DRAWER

Type	Warming
GlideShut™ Drawer	Yes
Heating Element	500 W
Capacity	0.8 cu. ft.

TOTAL POWER

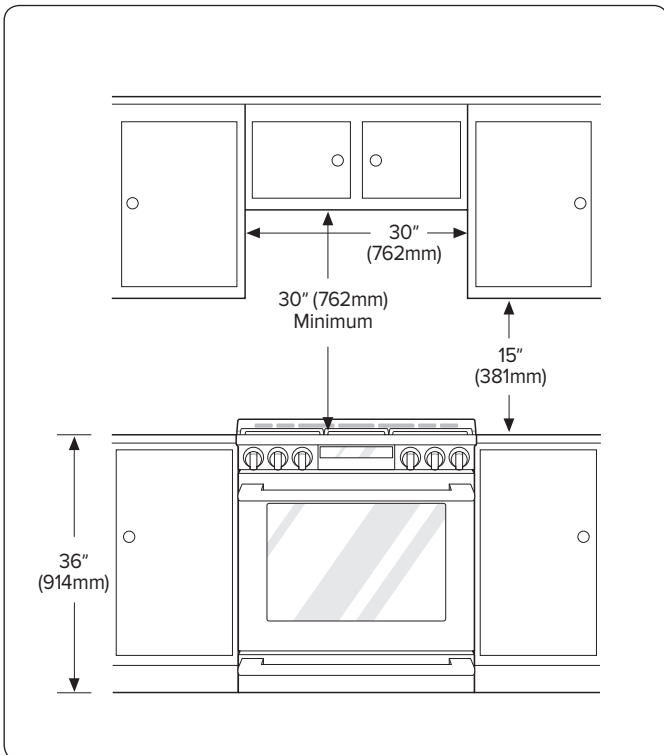
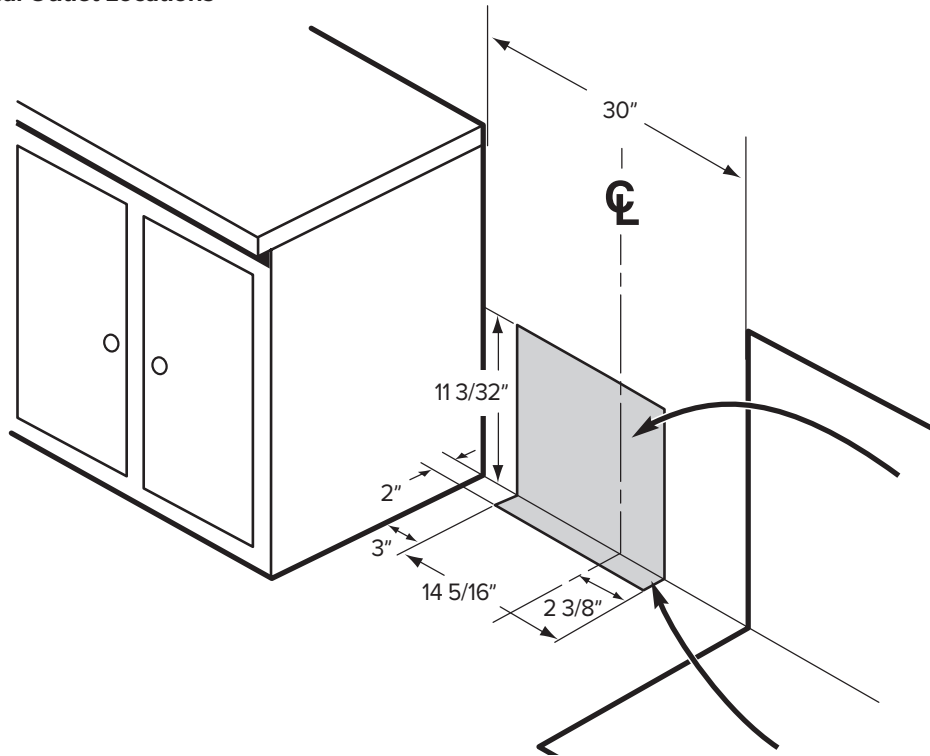
KW & Amp Rating at 120V	13.5 kw
Requirements	120 VAC

SAFETY FEATURE

Door Lock	Yes
-----------	-----

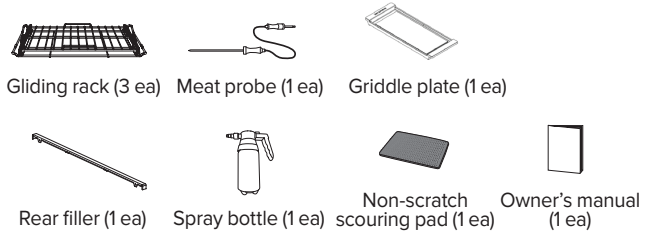
DIMENSIONS AND CLEARANCES

Gas Pipe and Electrical Outlet Locations

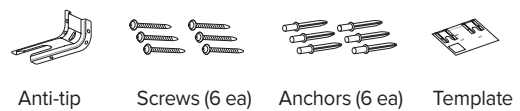


ACCESSORIES

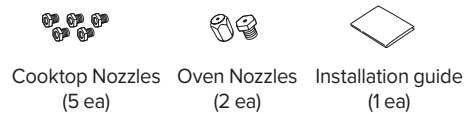
- Included Accessories



- Anti-Tip Kit



- LP Nozzle Conversion Kit



Optional Accessories

