

	INTERNAL BLOWER STANDARD	INTERNAL BLOWER with ACT™ AIRFLOW CONTROL TECHNOLOGY™*	
SINGLE BLOWER (INCLUDED) Min. - Max. CFM	200 - 650	200 - 390	200 - 290
SINGLE BLOWER (INCLUDED) Min. - Max. Sones	1 - 8	*AIRFLOW CONTROL TECHNOLOGY™ (ACT™) is an exclusive feature built into specific Zephyr hoods which can limit the maximum blower CFM to meet local code requirements.	
DUAL BLOWER (OPTIONAL) Min. - Max. CFM	400 - 1,200		
DUAL BLOWER (OPTIONAL) Min. - Max. Sones	3 - 11		



Shown with optional trim kit



TempGuard™
is a built-in safety feature that senses excessive heat. The fan speed will automatically adjust to high when the internal temperature exceeds 130°F.



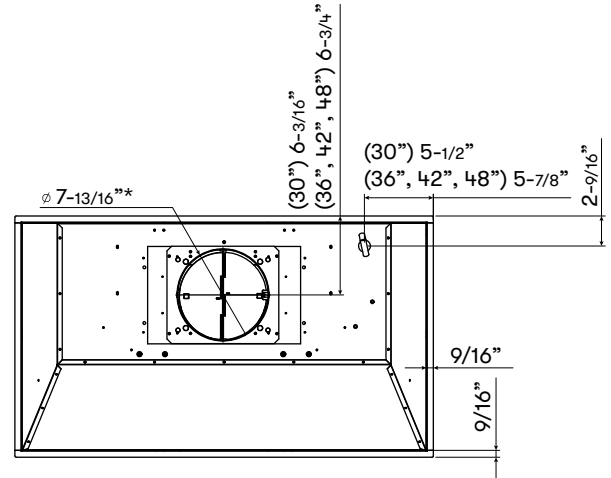
TruHue™
A bright idea: customize your hood's light to harmonize with the rest of your kitchen's lighting at the touch of a button—from 2700K, 3000K, 3500K, 4000K to 5000K.

ACT™

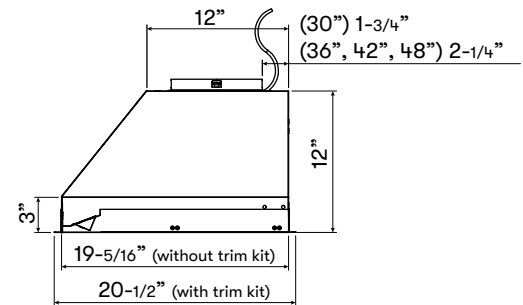
Airflow Control Technology™ (ACT™)
is an exclusive feature built into specific Zephyr hoods which can limit the maximum blower CFM to meet local code requirements.



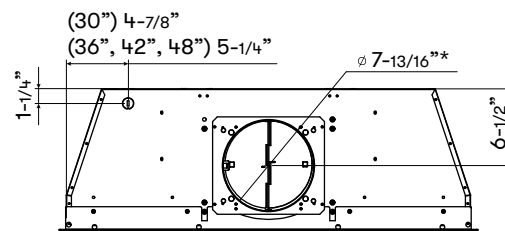
Optional Trim Kit
Comes included. Install around the perimeter of the insert to hide uneven gaps in the cabinet cutout. More information on page 3.



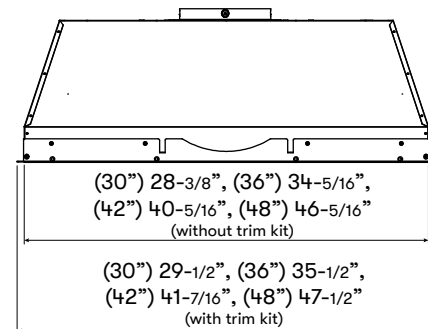
TOP



SIDE



REAR



FRONT

*See user manual for 10" round dual blower ducting dimensions

MODEL	AK9228CS	AK9234CS	AK9240CS	AK9246CS
Stainless Steel				
Size	30" (28-3/8" x 19-5/16")	36" (34-5/16" x 19-5/16")	42" (40-5/16" x 19-5/16")	48" (46-5/16" x 19-5/16")
BLOWER PERFORMANCE				
Blower CFM (Min. - Max.)	200 - 650	200 - 650	200 - 650	200 - 650
Sones (Min. - Max.)	1 - 7	1 - 7	1 - 7	1 - 7
ACT 390 CFM (Min. - Max.)	200 - 390	200 - 390	200 - 390	200 - 390
ACT 290 CFM (Min. - Max.)	200 - 290	200 - 290	200 - 290	200 - 290
Optional Dual Blower	NA	400 - 1,200	400 - 1,200	400 - 1,200
Dual Blower Sones (Min. - Max.)	NA	3 - 10	3 - 10	3 - 10
FEATURES				
ACT™ Technology*	Yes	Yes, single blower only	Yes, single blower only	Yes, single blower only
Controls	Electronic LCD	Electronic LCD	Electronic LCD	Electronic LCD
Speed Levels	5**	5**	5**	5**
TempGuard™***	Yes	Yes	Yes	Yes
Auto Delay-Off	Yes	Yes	Yes	Yes
CleanAir Function	Yes	Yes	Yes	Yes
Lighting	LumiLight LED, 6W x2	LumiLight LED, 6W x2	LumiLight LED, 6W x2	LumiLight LED, 6W x4
Dual-Level Lighting	Yes	Yes	Yes	Yes
TruHue™	Yes	Yes	Yes	Yes
Filters	Pro Baffle x2	Pro Baffle x2	Pro Baffle x2	Pro Baffle x3
Grease Collection Tray	Yes	Yes	Yes	Yes
Wireless Remote Control Option	Yes	Yes	Yes	Yes
Dual Internal Blower Option	No	Yes	Yes	Yes
Recirculating Option	No	No	No	No
ADA Compliant	Yes, with remote accessory	Yes, with remote accessory	Yes, with remote accessory	Yes, with remote accessory
DUCT SPECIFICATIONS				
Vertical Single Internal Blower	8" Round	8" Round	8" Round	8" Round
Horizontal Single Internal Blower	8" Round	8" Round	8" Round	8" Round
Vertical Dual Internal Blower	NA	10" Round	10" Round	10" Round
Horizontal Dual Internal Blower	NA	NA	NA	NA
AC POWER				
Single Blower	120V, 60Hz at Max. 5A	120V, 60Hz at Max. 5A	120V, 60Hz at Max. 5A	120V, 60Hz at Max. 5A
Dual Blower	NA	120V, 60Hz at Max. 9A	120V, 60Hz at Max. 9A	120V, 60Hz at Max. 9A
OPTIONAL ACCESSORIES				
Wireless Remote Control	RC-0002	RC-0002	RC-0002	RC-0002
Dual Internal Blower	NA	PBD-1200B	PBD-1200B	PBD-1200B
Make-Up Air Kit (single blower)	MUA008A	MUA008A	MUA008A	MUA008A
Make-Up Air Kit (dual blower)	NA	MUA010A	MUA010A	MUA010A
MOUNTING HEIGHT RANGE†	24" - 36"	24" - 36"	24" - 36"	24" - 36"
WARRANTY	3 years parts, 1 year labor	3 years parts, 1 year labor	3 years parts, 1 year labor	3 years parts, 1 year labor

*ACT™ only available with single internal blower

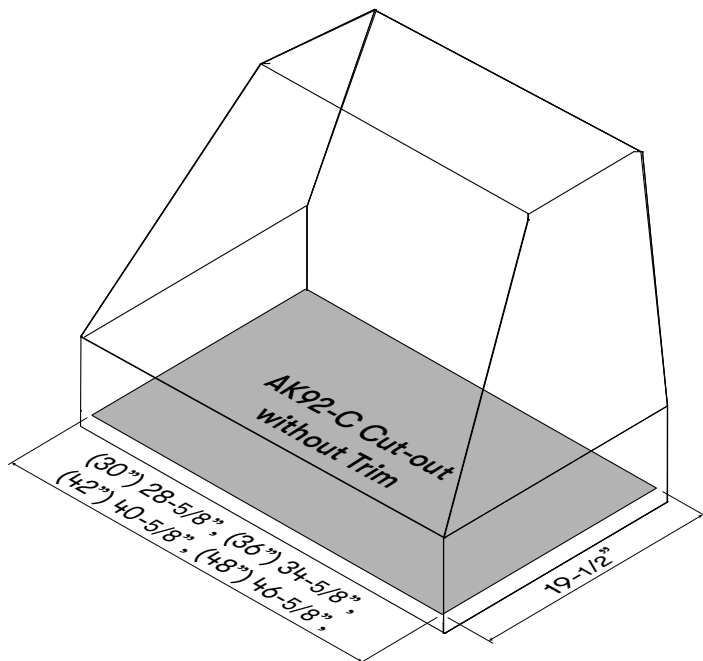
**When ACT™ is enabled the maximum speed levels will change. ACT 390 CFM = 3 speeds and ACT 290 CFM = 2 speeds.

***TempGuard is a built-in safety feature that turns on the fan if excessive heat is detected

†Mounting height refers to distance between top of a 36" tall cooking surface and bottom of hood.

CABINET CUT-OUT
DIMENSIONS

CABINET CUT-OUT FOR INSTALLATION WITHOUT TRIM



Cabinet Bottom Cut-Out Size (W x D) without trim:

AK9228CS 28-5/8" x 19-1/2"

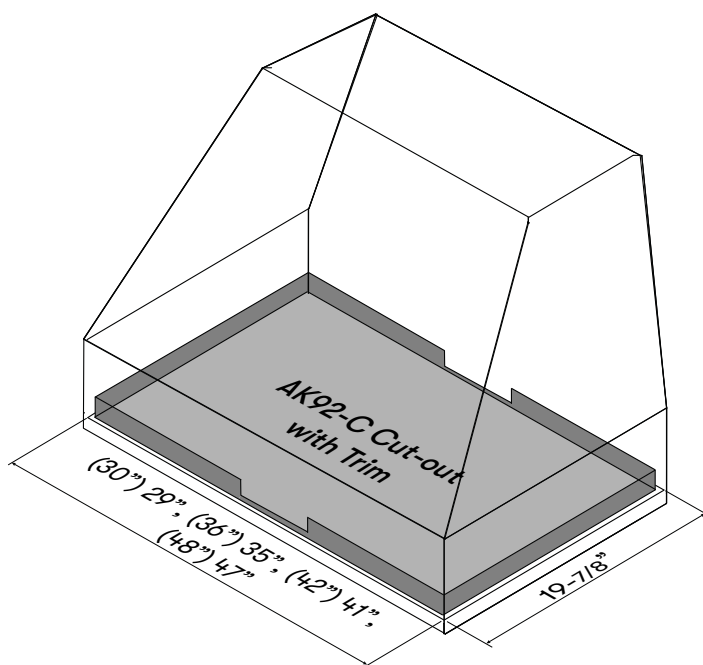
AK9234CS 34-5/8" x 19-1/2"

AK9240CS 40-5/8" x 19-1/2"

AK9246CS 46-5/8" x 19-1/2"



CABINET CUT-OUT FOR INSTALLATION WITH TRIM



Cabinet Bottom Cut-Out Size (W x D) with trim:

AK9228CS 29" x 19-7/8"

AK9234CS 35" x 19-7/8"

AK9240CS 41" x 19-7/8"

AK9246CS 47" x 19-7/8"



Optional Trim Kit

The trim kit consists of four pieces that secure to the front, back, and sides of the insert. The back trim piece will not be used in installations where the insert is installed flush against the wall or if the thickness of the cabinet back panel is less than 1/2".