

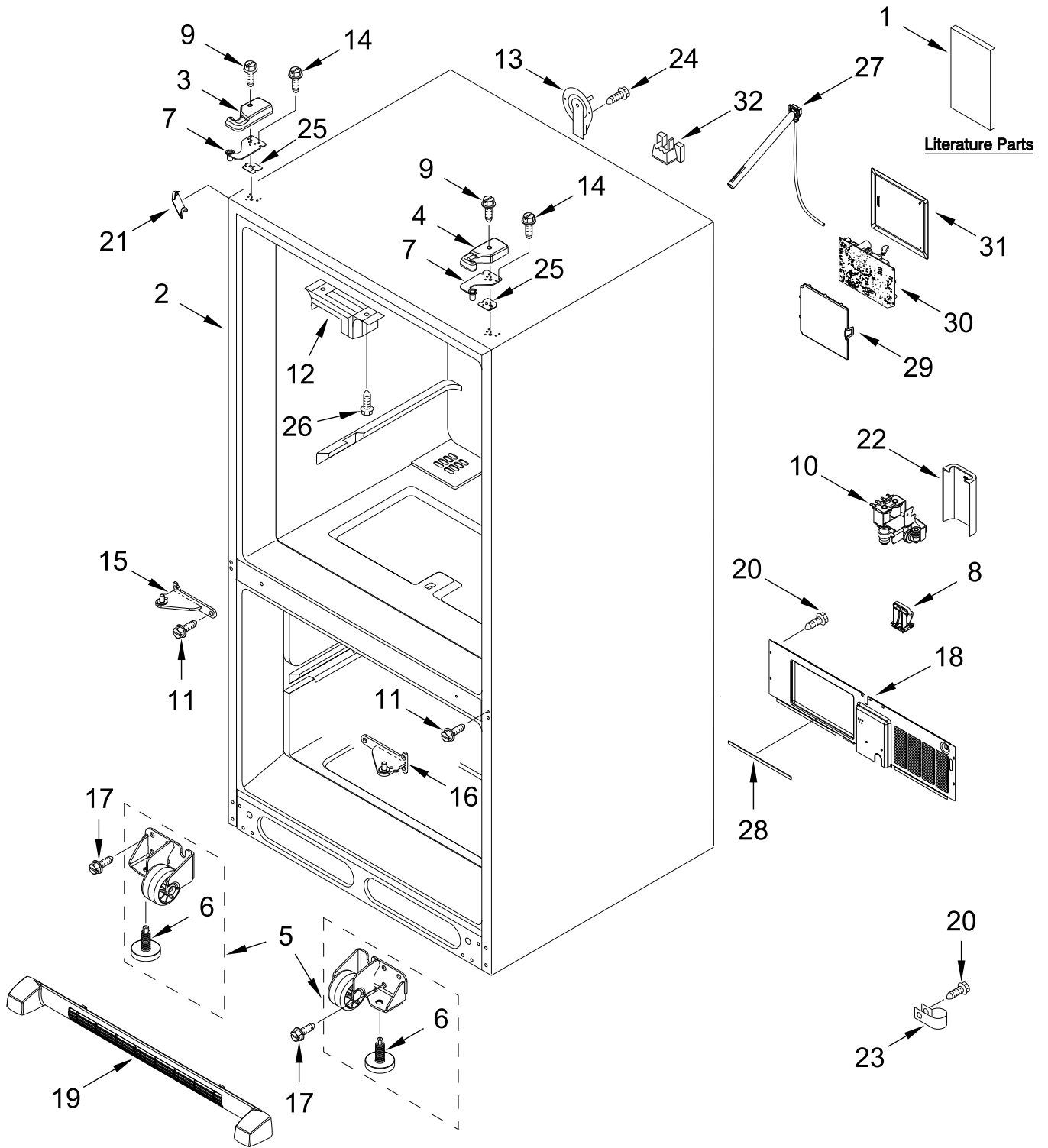


REFRIGERATOR

MODELS:

MRFF5033PZ00 (Stainless Steel)

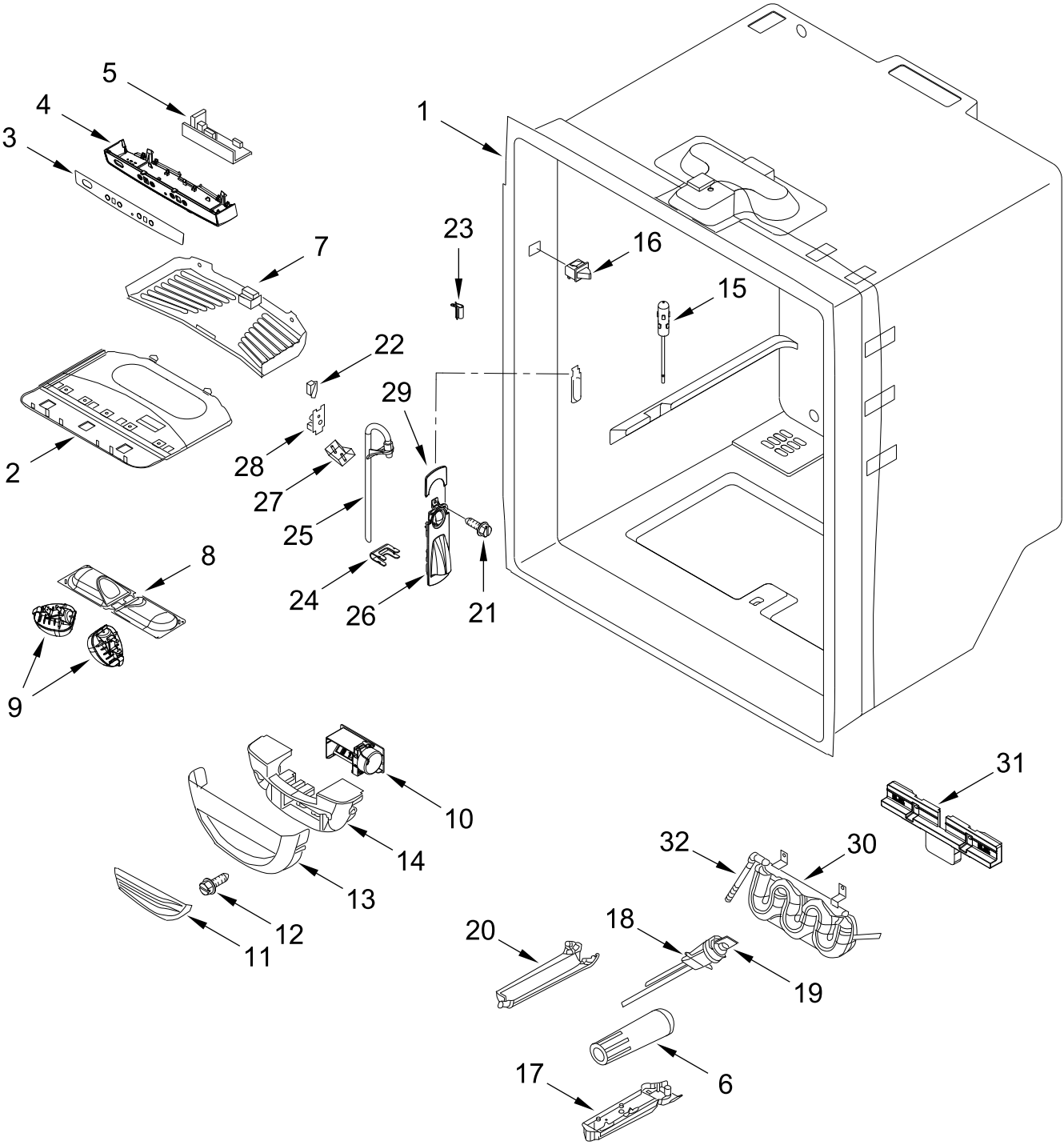
CABINET PARTS



CABINET PARTS

<u>Illus.</u> <u>No.</u>	<u>Part No.</u>	<u>Description</u>	<u>Illus.</u> <u>No.</u>	<u>Part No.</u>	<u>Description</u>	<u>Illus.</u> <u>No.</u>	<u>Part No.</u>	<u>Description</u>
1		Literature Parts	10	W11446816	Valve, Water Inlet	23	M0108107	Clamp, Tube
	W11468670	Use and Care Guide	11	12990101	Screw	24	12991604	Screw
	W11308942	Energy Guide	12	12698403	Plate, Pivot	25		Shim, Top Hinge
	W11623340	Tech Sheet	13	12726003	Cover, Water Line		12999501	Left Hand
2		Cabinet (Not a Servicable Part)	14	12992403	Screw		12999502	Right Hand
			15		Hinge, Center	26	688983	Screw
3		Cover, Left Hinge			Left Hand	27	W11046934	Assembly, Fill Tube (Includes Tubing, Fill Tube Elbow, Tube Insert and Clamp)
	W10337648	Grey		W10740150	Grey			
4		Cover, Right Hinge	16		Hinge, Center			
					Right Hand	28	W11534847	Gasket
	12962302AP	Grey		W10740146	Grey	29	12957702	Lid, HV Box
5		Assembly, Roller	17	W10709365	Screw	30	W10257665	Box, HV Control
	W10515763	Left Hand	18	W10210980	Cover, Unit	31	W10317076	Board, HV Control
	W10515762	Right Hand	19		Grille, Toe	32	W10658542	Block, Fill Tube
6	W10141622	Brake, Roller		W10534160	Grey			
7		Hinge, Top	20	W10141645	Screw			
	W11456626	Left Hand	21		Cover, Corner			
	W11456625	Right Hand		12587703AP	Grey			
8	W10528513	Sweep, Dual Tube	22	W10208593	Guard, Dual Water Valve			
9	12992602	Screw						

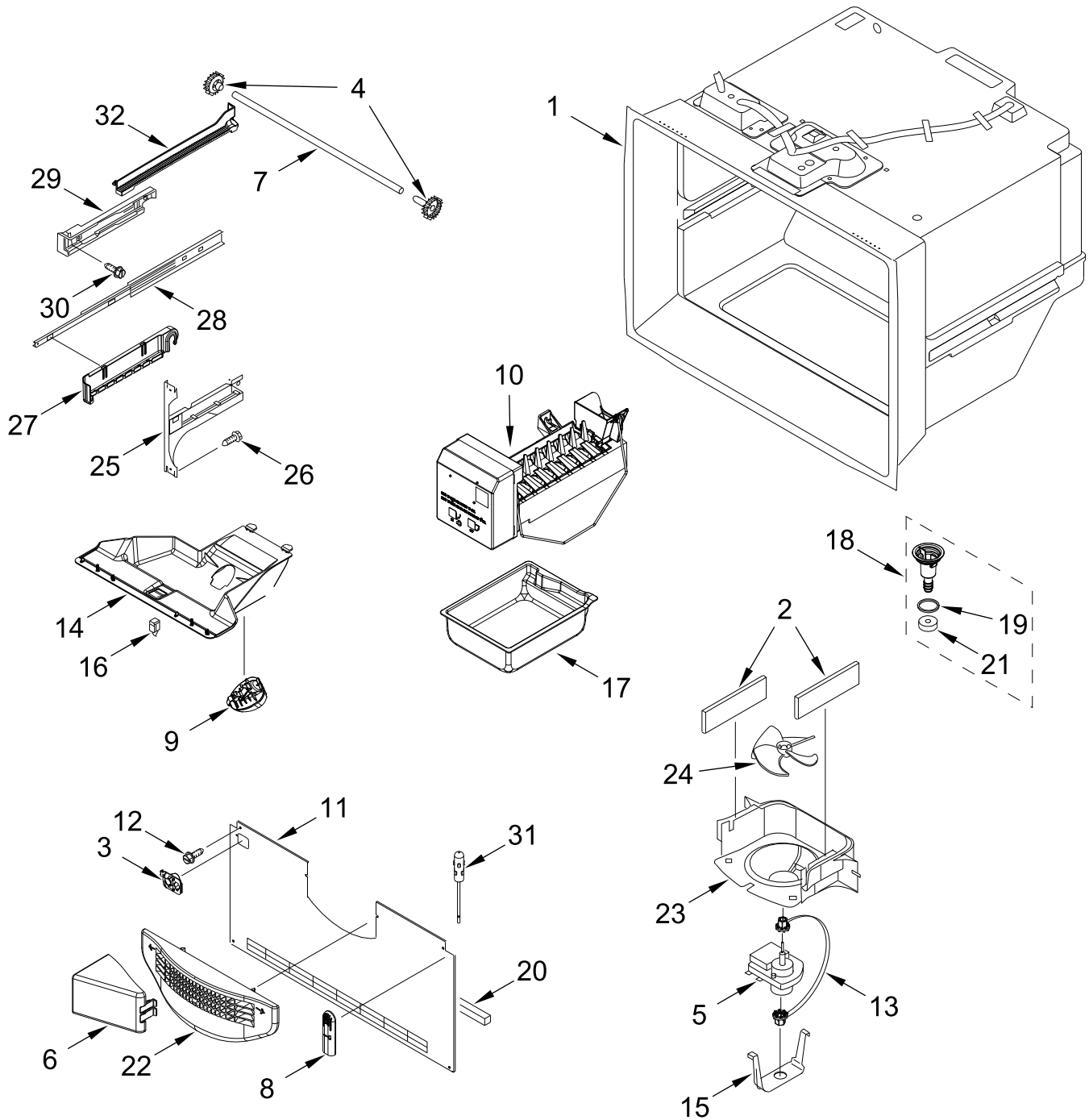
REFRIGERATOR LINER PARTS



REFRIGERATOR LINER PARTS

<u>Illus. No.</u>	<u>Part No.</u>	<u>Description</u>	<u>Illus. No.</u>	<u>Part No.</u>	<u>Description</u>	<u>Illus. No.</u>	<u>Part No.</u>	<u>Description</u>
1		Liner (Not A Serviceable Part)	14	13012402	Insulation, Damper	26	W11551461	Facade, Dispenser
2	W10464766	Module, Light	15	12791406SP	Thermistor	27	W11437004	Foam, Plate Switch
3	W10746278	Overlay	16	W10847852	Switch, Rocker	28	W11437528	Plate, Switch
4	W10464767	Module, Control	17	12704801	Plate, Filter	29	W11437003	Facade, Dispenser (Top)
5	W11593757	Board, Control	18	W11308018	Head, Water Filter (Includes Bypass Cartridge)	30	W11097710	Tank, Water
6	W11256384	Filter, Water	19	12664501SP	Cartridge, Bypass	31	W10300461	Insulation, Water Tank
7	W11132917	Cover, Light	20	12568001	Cover, Filter	32	61006182	Union, Water
8	W10443023	Housing, Light	21	12990302	Screw			FOLLOWING PARTS NOT ILLUSTRATED
9	W11468934	Light Module, LED	22	W11495787	Switch, Limit			
10	W10594329	Control, Damper	23	12251001	Clip, Water Tube		W11609496	Harness, Control (Includes Thermistor)
11	12806801	Insert, Damper Cover	24	B8390302	Clip, Facade			
12	12990604	Screw	25	W11031909	Guide, Waterline			
13	12806701	Cover, Damper						

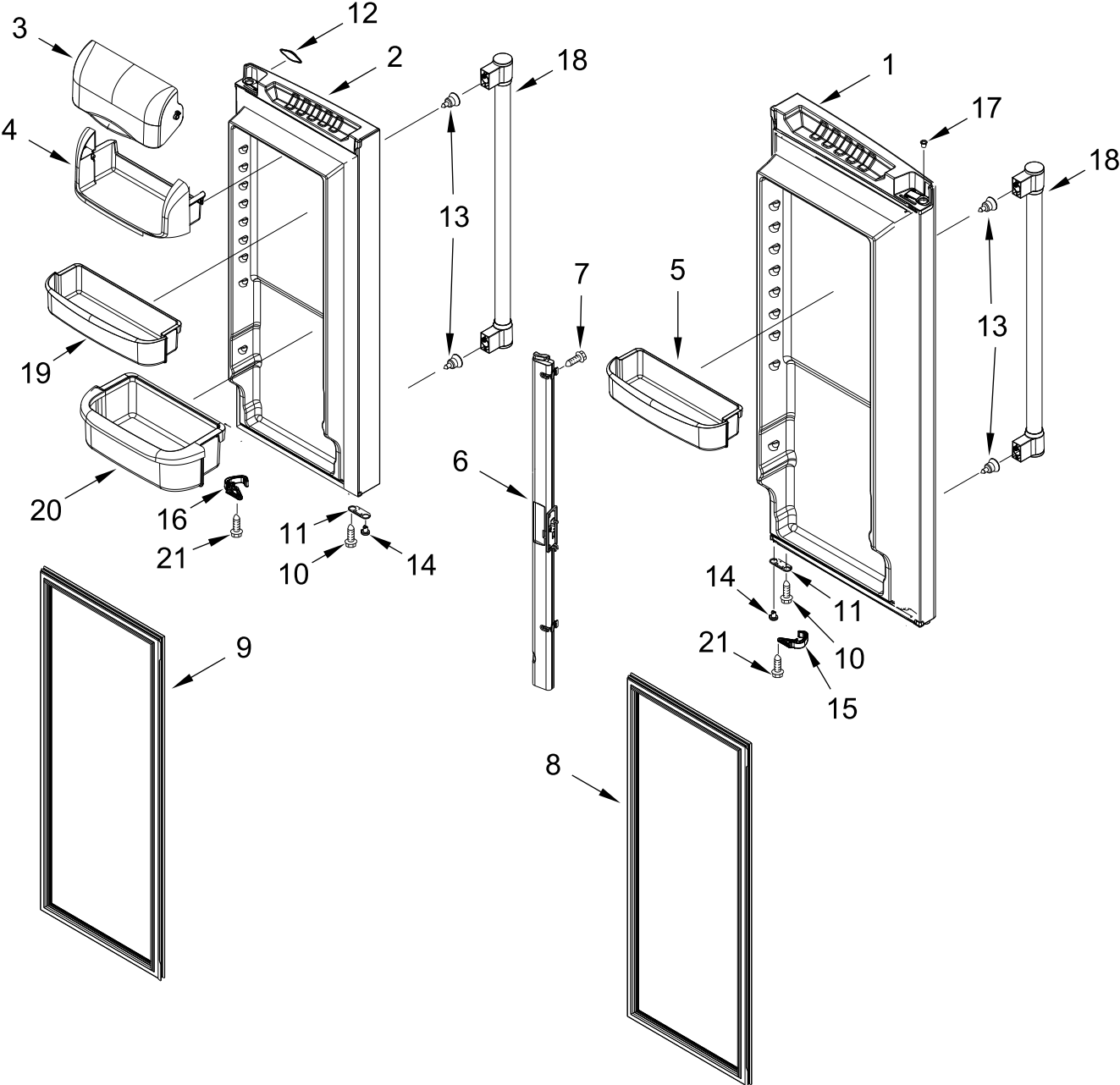
FREEZER LINER AND ICEMAKER PARTS



FREEZER LINER AND ICEMAKER PARTS

<u>Illus.</u> <u>No.</u>	<u>Part No.</u>	<u>Description</u>	<u>Illus.</u> <u>No.</u>	<u>Part No.</u>	<u>Description</u>	<u>Illus.</u> <u>No.</u>	<u>Part No.</u>	<u>Description</u>
1		Liner (Not A Serviceable Part)	15	13058002	Clip, Evaporator Motor	27		Cradle, Basket
2	A3189392	Gasket, Foam	16	W10847849	Switch, Light		W10280608	Left Hand
3	W11341630	Guide, Fill Tube	17	W10171529N	Pan, Ice		W10280613	Right Hand
4	12002497	Gear	18	W10662407	Assembly, Drain Funnel	28	W10120018	Slide, Door
5	13062901	Motor, Evaporator	19	M0500703	Seal	29		Adapter, Slide
6	W10157765	Diverter, Air	20	A3189395	Gasket, Foam		W10284684	Left Hand
7	W10802331	Shaft, Rack	21	B8381501	Gasket, Drain		W10284685	Right Hand
8	12815301	Cover, Thermistor	22	13024803	Grille, Freezer Air	30	12990501	Screw
9	W11468934	Light Module, LED	23	13057901	Shroud, Evaporator Fan	31	12791409SP	Thermistor
10	W11456887	Assembly, Icemaker (Complete)	24	2169142	Blade, Fan	32		Rail, Side
11	W10308415	Cover, Evaporator	25		Bracket, Door		W11309374	Left Hand
12	12990511	Screw		W10330991	Left Hand		W11309377	Right Hand
13	W10150583	Grommet, Fan Motor		W10330993	Right Hand			
14	W10277025	Module, Light	26	12990521	Screw			

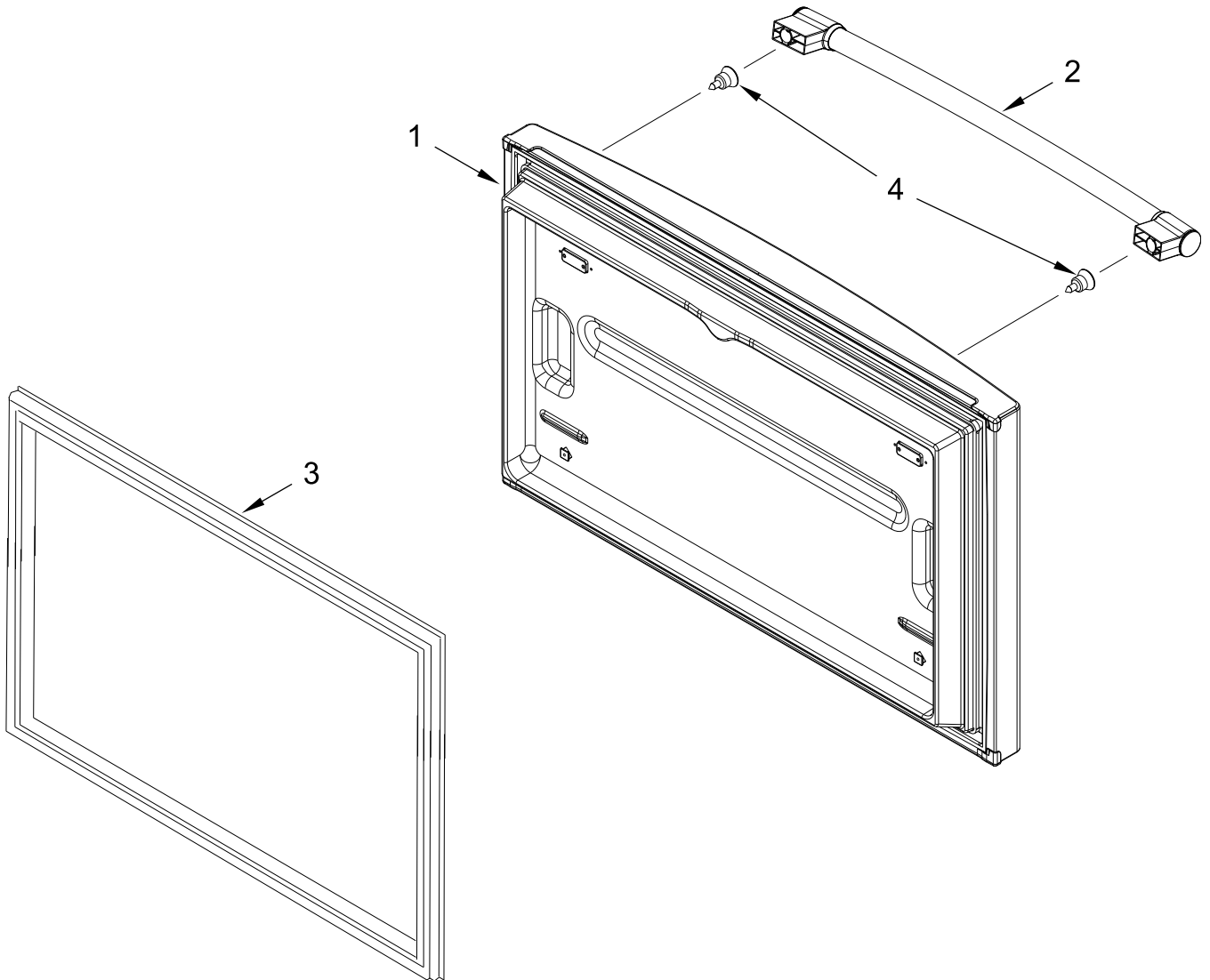
REFRIGERATOR DOOR PARTS



REFRIGERATOR DOOR PARTS

<u>Illus. No.</u>	<u>Part No.</u>	<u>Description</u>	<u>Illus. No.</u>	<u>Part No.</u>	<u>Description</u>	<u>Illus. No.</u>	<u>Part No.</u>	<u>Description</u>
1		Door, Left	9		Gasket, Door	16		Latch, Door Closer
	W11622640	Stainless			Right Hand			Right Hand
2		Door, Right		W10830162	Grey		W10833739	Grey
	W11377212	Stainless	10	12990504	Screw	17	12996601	Clip, Bushing
3	12804701SP	Door, Dairy	11		Stop, Door	18		Handle, Door
4	12369502SP	Tray, Dairy		12968202AP	Grey		W10838130	Stainless
5	W10351081	Bucket, Small	12	W10612926	Badge	19	W10371194	Bucket, Medium
6		Mullion, Door	13	W11328753	Screw	20	12918704	Bucket, Gallon (Clear)
	12722803APN	Grey	14		Closure, Door		W10289497	Bucket, Gallon
7	12990204	Screw		12028505AP	Grey	21	12990518	Screw
8		Gasket, Door	15		Latch, Door Closer			
		Left Hand			Left Hand			
	W10830283	Grey		W10833741	Grey			

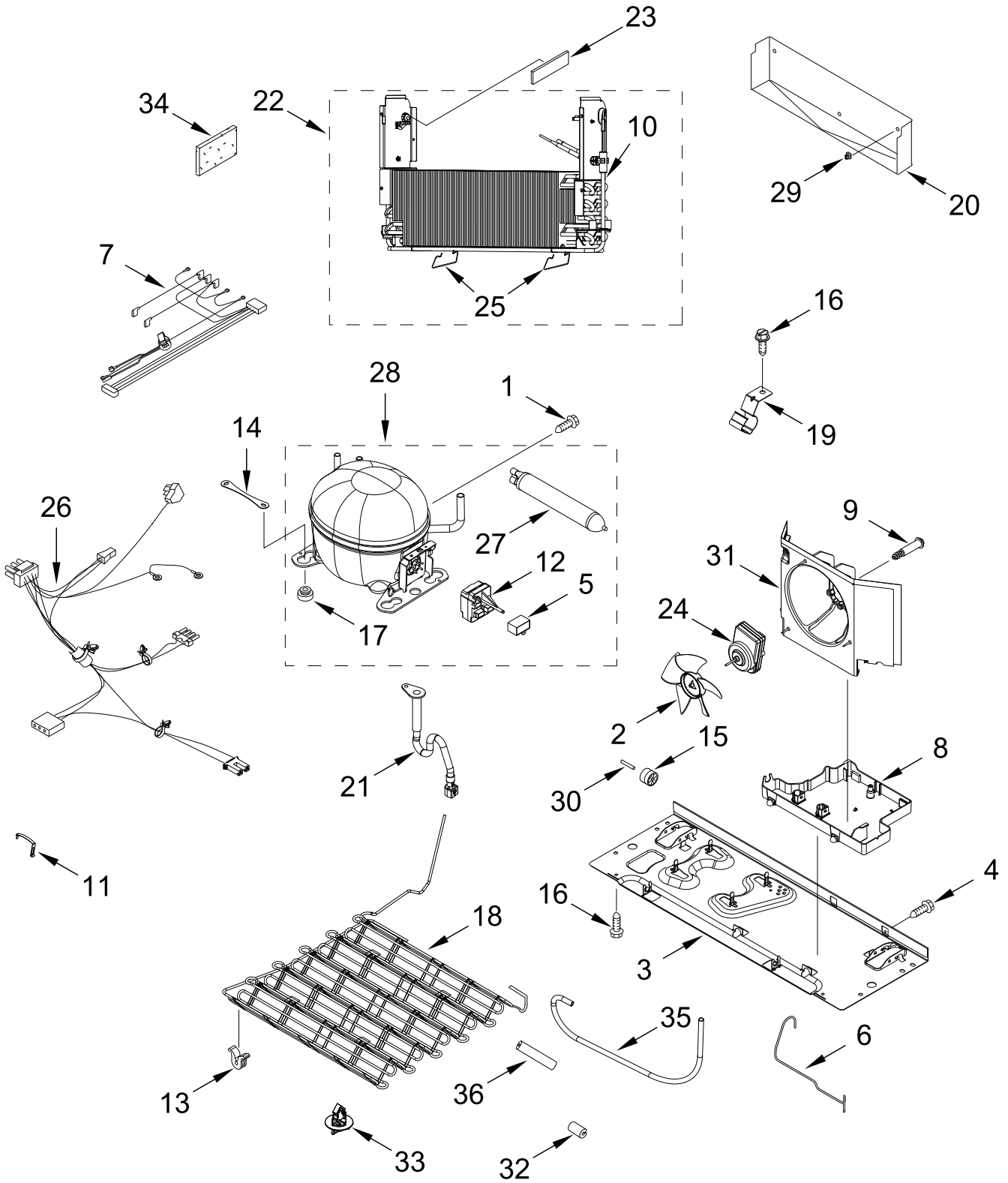
FREEZER DOOR PARTS



FREEZER DOOR PARTS

<u>Illus.</u> <u>No.</u>	<u>Part No.</u>	<u>Description</u>	<u>Illus.</u> <u>No.</u>	<u>Part No.</u>	<u>Description</u>	<u>Illus.</u> <u>No.</u>	<u>Part No.</u>	<u>Description</u>
1	W11377204	Door, Freezer Stainless	2	W10840878	Handle, Door Stainless	3	W10443316	Gasket, Door Grey
						4	W11328753	Screw

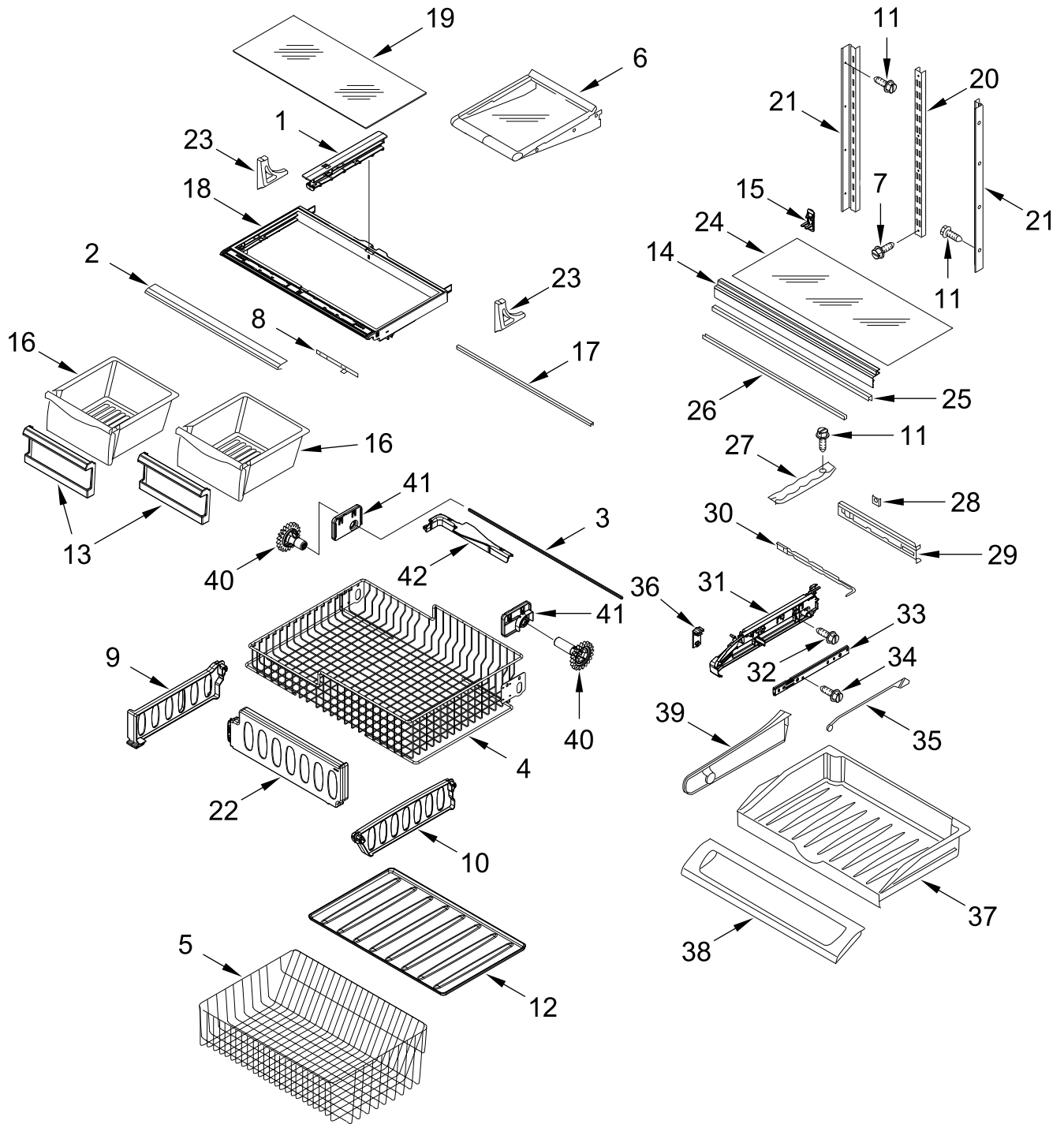
UNIT PARTS



UNIT PARTS

<u>Illus.</u> <u>No.</u>	<u>Part No.</u>	<u>Description</u>	<u>Illus.</u> <u>No.</u>	<u>Part No.</u>	<u>Description</u>	<u>Illus.</u> <u>No.</u>	<u>Part No.</u>	<u>Description</u>
1	12992301	Screw	19	W10281329	Clip, Drier	28	W11332031	Compressor (Also Order the Following Lokring Parts)
2	12825803	Blade, Fan	20	W11337772	Tray, Drip			
3	W10480110	Basepan	21	W10622099	Extension, Drain Tube			
4	12990511	Screw	22	W11515436	Assembly, Evaporator and Heater	W11504416	8.5/6 NR MS 00 (Suction Tube to Compressor)	
5	W10350564	Capacitor				W11504431	7/5 NR MS 00 (Discharge Tube to Compressor)	
6	W11566600	Tube, Discharge						
7	W11305540	Harness, Evaporator Heater						
8	W10655367	Pan, Drain		W11504423	8/2 NR AL 00 (Capillary Tube to Evaporator)	W11506621	6 NK MS 00 (Charging Tube to Compressor)	
9	W10622701	Screw						
10	W11287564	Heater, Defrost						
11	W11379613	Strap, Bale		W11504415	8.5/8 NR MS 00 (Suction Line to Evaporator)	W11506635	Tube, Charging (1/4" w/ Schrader Valve)	
12	W11359985	Device, Start						
13	W10137529	Grommet, Condenser	23	W11244122	Gasket, Foam	29	10623002	Clip, Evaporator
14	W10236396	Strap, Compressor	24	W11505534	Motor, Condenser Fan	30	12477202	Axle, Roller
15	12477102	Roller	25	W11380964	Clip, Heater	31	W11463236	Shroud, Condenser Fan
16	12992101	Screw	26	W11525278	Harness, Unit (Includes Power Cord)	32	2319835	Grommet, Condenser
17	10835903	Grommet	27	W11353156	Drier (Also Order the Following Lokring Parts)	33	W10815863	Clip, Condenser
18	W11353138	Condenser (Also Order the Following Lokring Parts)				34	2169104	Insulation, Sound Deadening
	W11506623	5 NK MS 00 (Discharge Tube to Condenser)		W11504445	5/4 NR MS 00 (Heat Loop to Drier)	35	W11566588	Tube, Suction
	W11504432	6/5 NR MS 00 (Heat Loop to Condenser)		W11504447	5/1.8 NR MS 00 (Capillary Tube to Drier)	36	W10303521	Sleeve REFRIGERANT CHARGE 44 grams (R600a)

SHELF PARTS



SHELF PARTS

<u>Illus. No.</u>	<u>Part No.</u>	<u>Description</u>	<u>Illus. No.</u>	<u>Part No.</u>	<u>Description</u>	<u>Illus. No.</u>	<u>Part No.</u>	<u>Description</u>
1	W10671238	Rail, Center Crisper	16	12530505SP	Pan, Crisper	31		Endcap, Pantry
2	W10231343	Trim, Crisper	17	12227303WD	Brace, Crisper Cover		W11186157	Left Hand
3	W10802339	Shaft, Rack	18	W10671241	Frame, Crisper		W11185285	Right Hand
4	W11115252	Basket, Freezer (Upper)	19	12204822	Glass, Crisper	32	12990504	Screw
5	W11115780	Basket, Freezer (Lower)	20	W10273463	Ladder, Center	33	W10235370	Glide, Pantry
6	W10743546	Assembly, Shelf	21	W10251969	Ladder, Side	34	12990512	Screw
7	W10215666	Screw	22	W10311695	Divider, Basket (Upper)	35	13048201	Bar, Control
8	12530805SP	Slide, Humidity Control	23		Support, Crisper Frame	36	12655204	Knob, Temperature Control
9	W10241046	Divider, Basket (Upper)		12531001	Left Hand	37	W11427807	Drawer, Pantry
10	W10146440	Divider, Basket (Lower)		12531002	Right Hand	38	12656823	Lid, Pantry
11	12990513	Screw	24	12204820	Glass, Pantry	39	13048601SP	Divider, Pantry Drawer
12	W10316995	Tray, Lower Basket	25	W10528936	Support, Glass	40		Gear, Spur
13	12802302SP	Front, Crisper	26	W10783763	Brace, Crisper Frame		W10474716	Left Hand
14	13048801	Trim, Pantry Glass	27	12531901	Track, Deli Drawer		W10474715	Right Hand
15	12531802	Hook, Ladder	28	12656902	Gasket, Pantry	41		Mount, Gear
			29	13048301	Housing, Control		W10348259	Left Hand
			30	13048401	Slide, Temperature		W10348260	Right Hand
						42	W10149389N	Lift, Bail Arm

OPTIONAL PARTS

<u>Illus.</u> <u>No.</u>	<u>Part No.</u>	<u>Description</u>
		TOUCH-UP PAINT
W10134625		Apollo Grey
W10917540		Midnight Grey
		MISCELLANEOUS
212643		Sealer, Gum (4 Feet)
479502		Tape, Vinyl (3/4 x 108")
876370		Insulation (2 Pieces, 3" x 24" x 48")
876305		Insulation Kit (14 Pieces, 3" x 24" x 48")
978941		Insulation, Fiberglass (63 1/2" x 35 1/2" x 2 5/8")
876029		Kit, Foam Slab (30" x 32 1/2" x 1 1/2")
505587		Sealer, Mastic (1 Qt)
503695		Cork, Sealer
542638		Grease, Silicone (1/2 Oz.)
542639		Cement, Alumilastic (1 1/4 Oz.)
833938		Kit, Terminal Connector
8003RP		Kit, Water Inlet
		TORX SCREW WRENCH
1117510		Torx Key