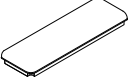






ASSEMBLED INSTRUCTIONS




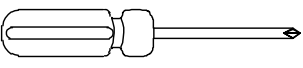
INSTRUCCIONES

PARTS LIST

LISTA DE PARTES

1		CUSHION	1PC/PIEZA
2		LEFT LEG	2PCS/PIEZAS
3		RIGHT LEG	2PCS/PIEZAS
4		LONG STRETCHER	2PCS/PIEZAS
5		SHORT STRETCHER	2PCS/PIEZAS

2204-BENCH HIGGINS BENCH

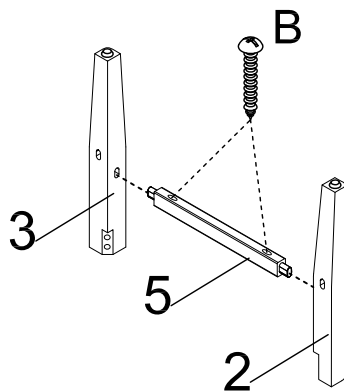
A		BOLT 5/16"-18 x 2" (bench leg)	8PCS/PIEZAS
B		SCREWS Ø4.7*55mm (stretcher)	8PCS/PIEZAS
C		ALLEN WRENCH 4mm	1PC/PIEZA
ASSEMBLY TOOL NOT INCLUDED			

ASSEMBLED INSTRUCTIONS

INSTRUCCIONES

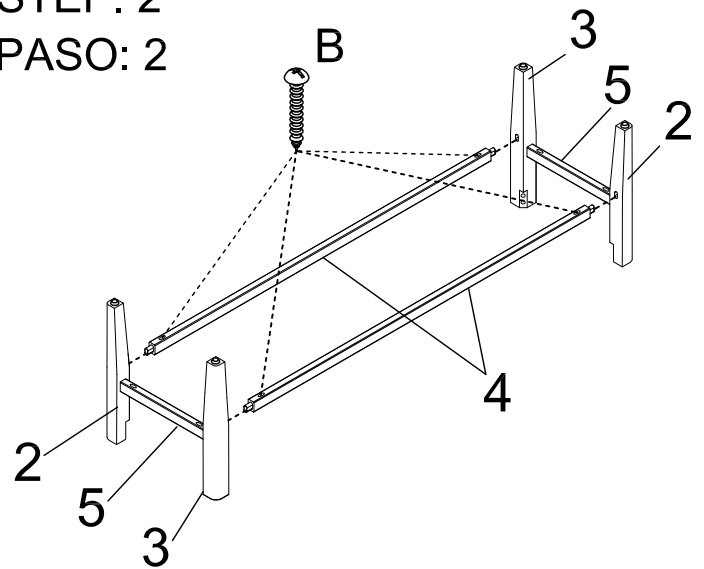
STEP: 1

PASO: 1



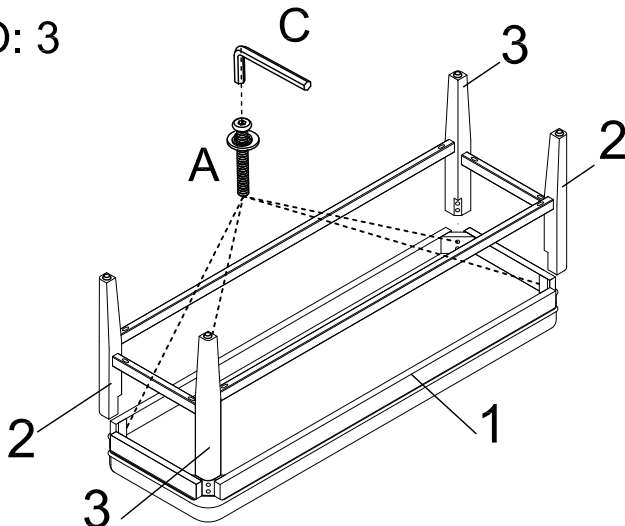
STEP: 2

PASO: 2



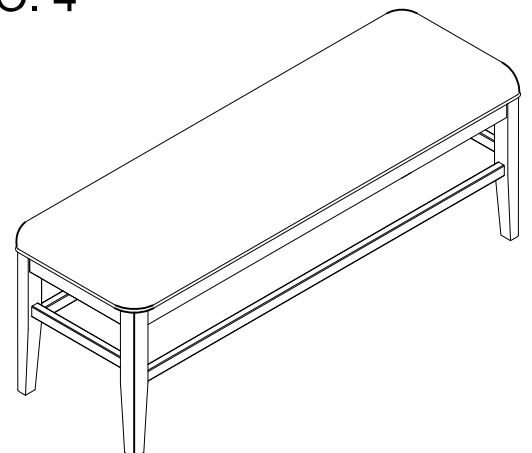
STEP: 3

PASO: 3



STEP: 4

PASO: 4



DO NOT TIGHTEN ALL BOLTS UNTIL COMPLETELY ASSEMBLED
NO APRETAR LOS TORNILLOS HASTA ARMAR COMPLETAMENTE