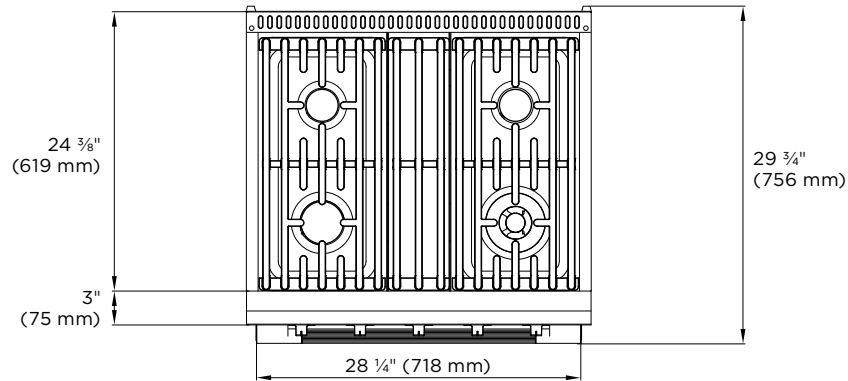
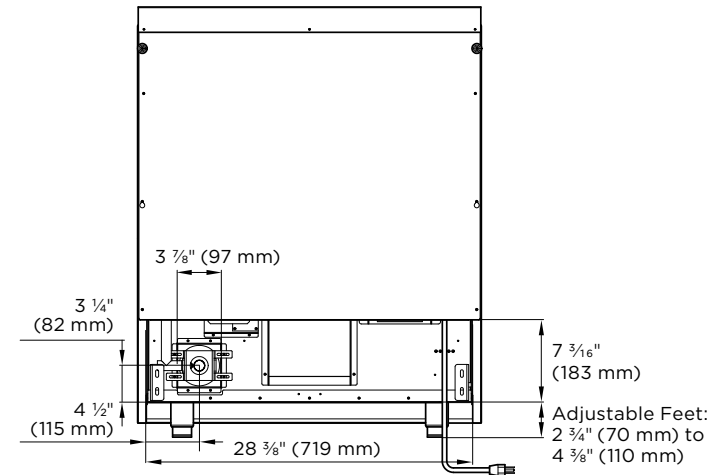


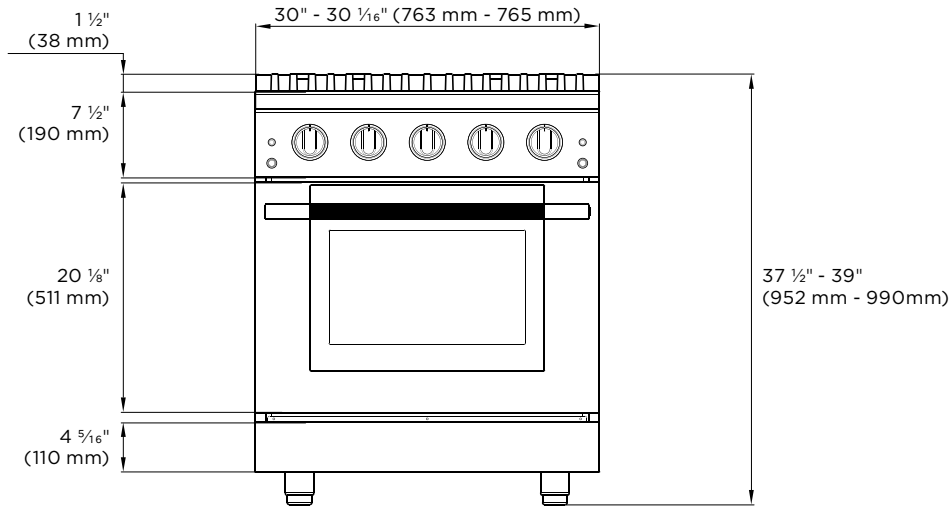
TECHNICAL DRAWING



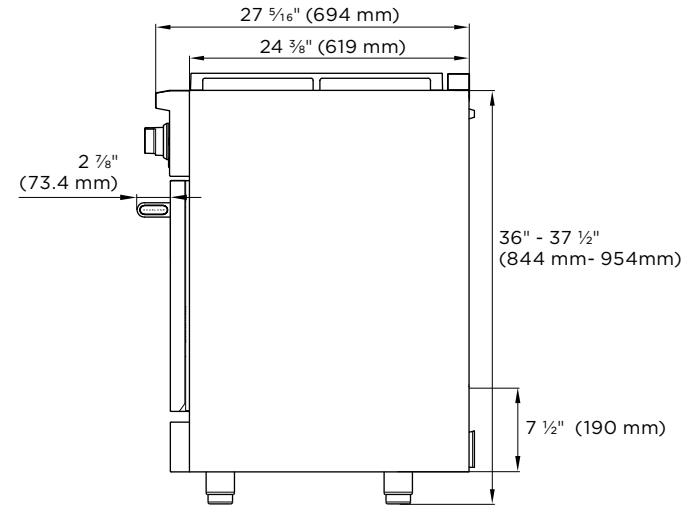
TOP



BACK



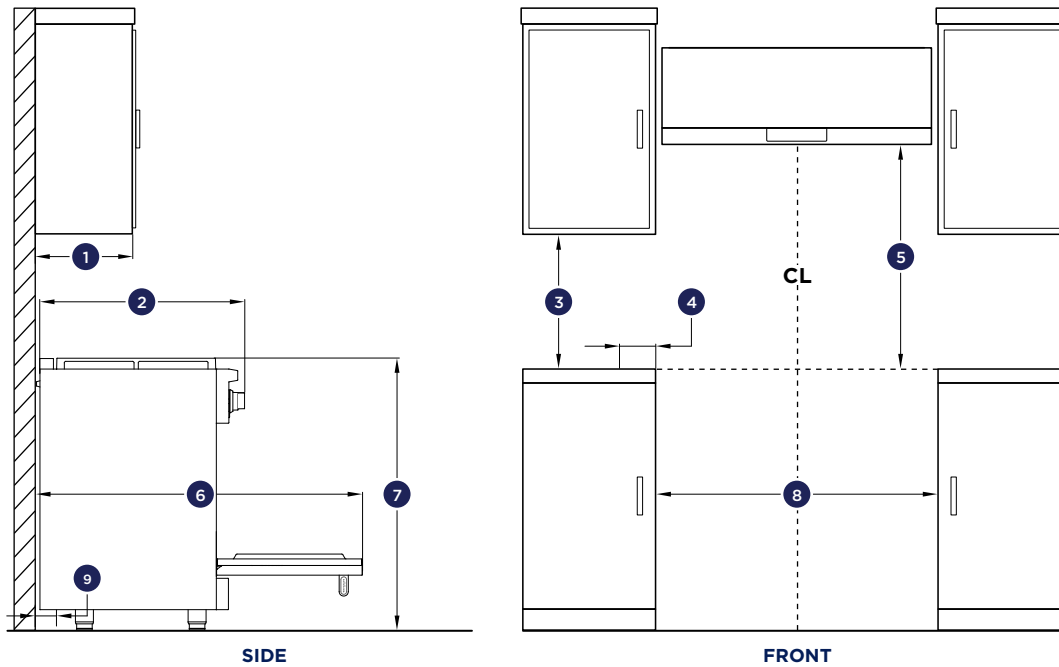
FRONT



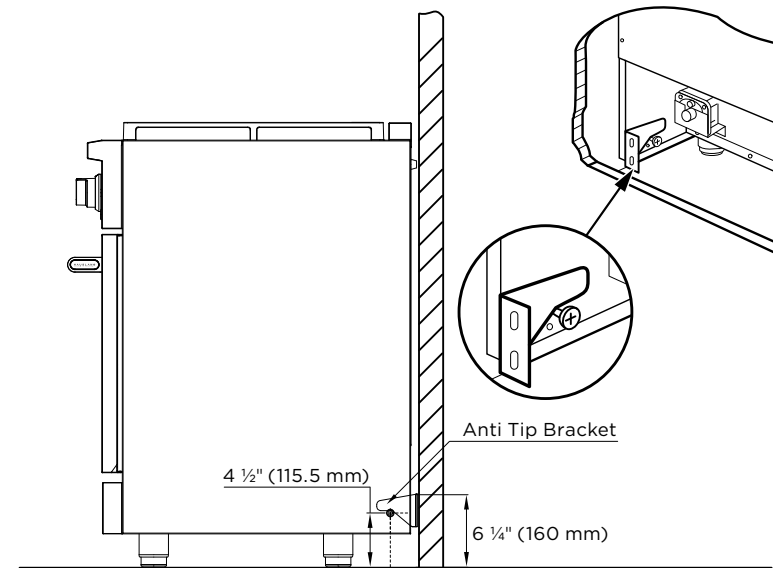
SIDE

NOTE: All dimensions in Inches unless otherwise specified. Dimensions in this technical drawing may vary by $\pm 1/16$ " (2mm). For detailed installation steps, refer to the user manual. Complete installation instructions and specifications can be found at hauslane.com.

CLEARANCE REQUIREMENTS



ANTI-TIP BRACKET LOCATION



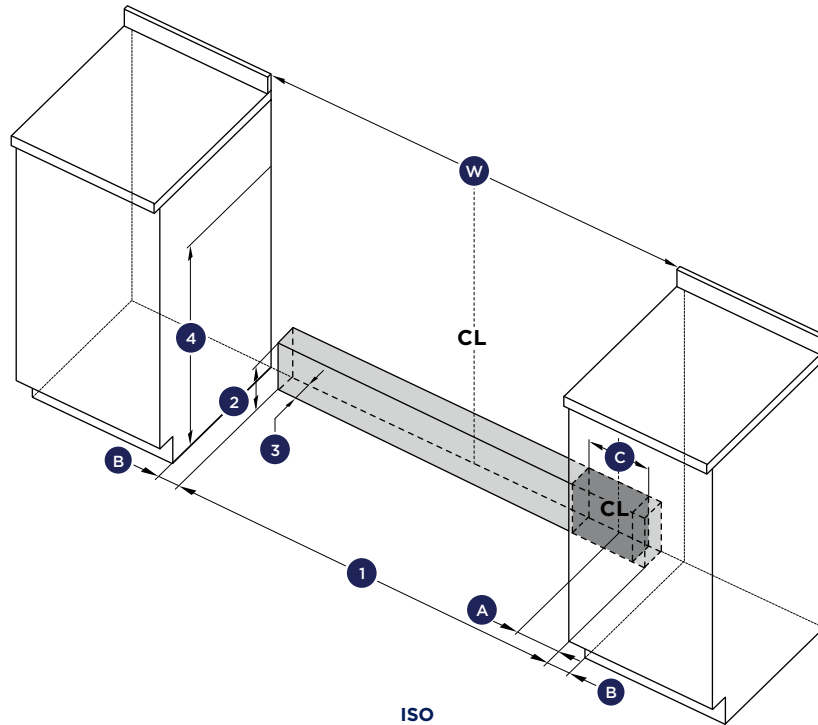
*This suggested anti-tip bracket height is based on a 36" countertop height.

1	STANDARD DEPTH OF CABINET ABOVE COOKTOP	13" (330 mm)
2	DEPTH FROM REAR OF CHASSIS TO FRONT OF CONTROL PANEL	27 5/16" (694 mm)
3	MINIMUM CLEARANCE (COUNTERTOP TO CABINET, BOTH SIDES OF RANGE)	18" (457 mm)
4	COOKTOP SIDE TO CABINET CLEARANCE (ADJACENT WORKING AREAS)	6" (152 mm)
5	MINIMUM CLEARANCE FROM COOKTOP TO VENTILATION HOOD	30" - 36" (762 - 914 mm) Depending on Your Hood Model
6	TOTAL DEPTH WITH OVEN DOOR FULLY OPEN	45 3/8" (1151.4 mm)

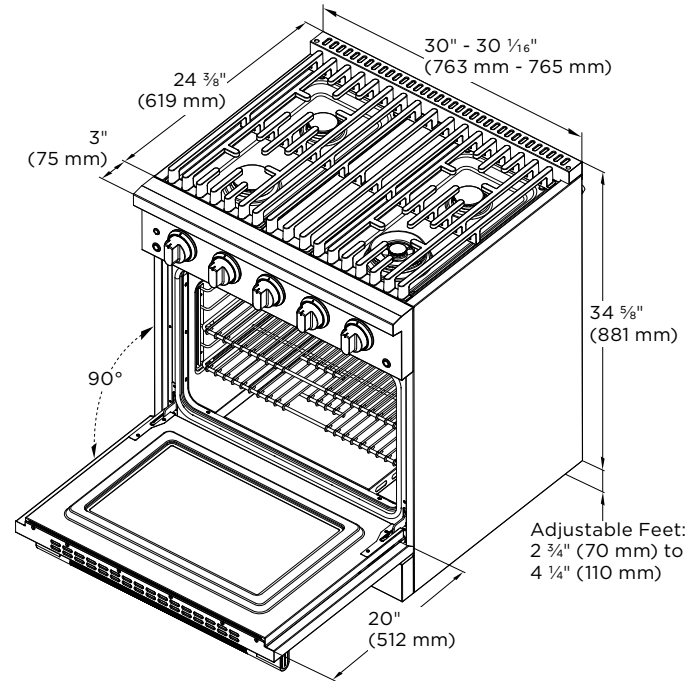
7	COOKTOP HEIGHT FROM FLOOR (TO COOK SURFACE)	37 1/2" to 39" (953 - 991 mm) Depending on Leveling and Installation Height
8	CABINET CUT OUT DIMENSIONS (WxDxH)	30 1/4" x 24 3/4" x 36" (768 x 629 x 914 mm)
9	GAS AND ELECTRICAL CONNECTION AREA (MAXIMUM DEPTH)	Max Depth of Gas / Electric Rough-in Area: 2 1/16" (71 mm) from the Rear Wall

NOTE: All dimensions in Inches unless otherwise specified. Dimensions in this technical drawing may vary by $\pm 1/16"$ (2mm). For detailed installation steps, refer to the user manual. Complete installation instructions and specifications can be found at hauslane.com.

LOCATION OF ELECTRICAL AND GAS SUPPLY



PRODUCT DIMENSIONS



1 GAS & ELECTRICAL ZONE (WIDTH)	Approx. 22" (559 mm)
2 GAS AND ELECTRICAL CONNECTION AREA (MAXIMUM HEIGHT)	Vertical Space from Floor to Gas / Electric Rough-in Area: 4 1/2" (114 mm) from the Floor
3 GAS AND ELECTRICAL CONNECTION AREA (MAXIMUM DEPTH)	Max Depth of Gas / Electric Rough-in Area: 2 13/16" (71 mm) from the Rear Wall
4 GAS AND ELECTRICAL HOOKUP ZONE (WxH)	30 1/4" x 15" (768 x 381 mm)

W CABINET CUT OUT DIMENSIONS (WIDTH)	30 1/4" (768 mm)
A GAS AND ELECTRICAL CONNECTION AREA TO REGULATOR CENTERLINE	5 1/2" (141 mm)
B DISTANCE FROM EITHER EDGE OF RANGE TO SUPPLY AREA	4 1/8" (105 mm)
C REGULATOR (WIDTH)	3 7/8" (97 mm)

NOTE: All dimensions in Inches unless otherwise specified. Dimensions in this technical drawing may vary by $\pm 1/16"$ (2mm). For detailed installation steps, refer to the user manual. Complete installation instructions and specifications can be found at hauslane.com.