



XOV_KSE
WALL MOUNT HOOD

HOW BEAUTIFUL KITCHENS BREATHE

1000
CFM



XOV_KSE

- Electronic 3 Speed Control
- High Efficiency Halogen Lights (x2)
- Dishwasher Safe SS Hybrid Mesh Filters
- 5 Minute delay function

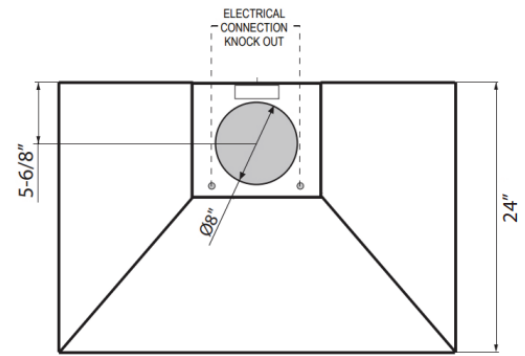
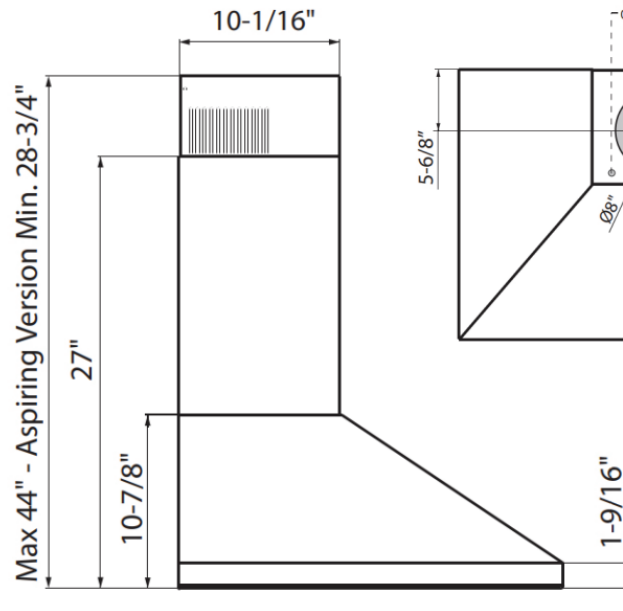
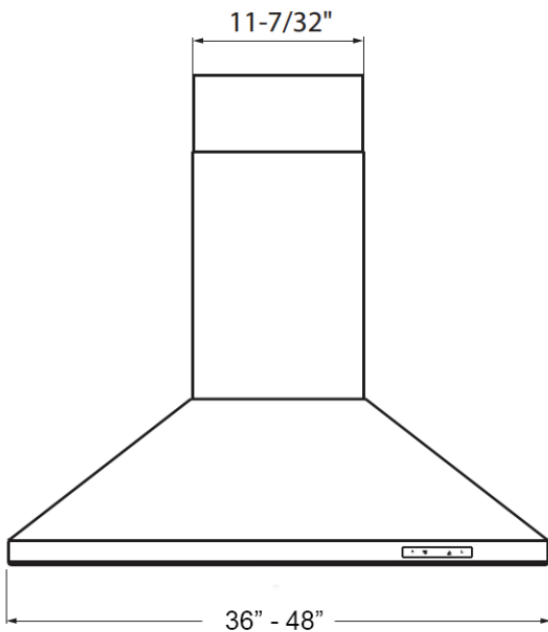
DESIGNED AND CRAFTED IN ITALY

The XOV_KSE is a must for those who desire the utmost in performance and design. The high powered whisper quiet blowers, electronic touch controls, and stainless steel filters are perfect for pro style cooking appliances.

At XO, we believe that a good design is something everyone can afford

WORLD CLASS SERVICE | COMPREHENSIVE WARRANTIES
OUR LASTING COMMITMENT TO YOU





FEATURES

FINISH

Stainless Steel
Available in 36" and 48" Width

FEATURES

- Powerful, 1000CFM Precision Balanced Blower
- Electronic 3 Speed Control
- High Efficiency Halogen Lights (x2)
- Standard Chimney fits up to 9' Ceilings
- Dishwasher Safe SS Hybrid Mesh Filters
- 8" Vertical Duct
- Made In Italy

PERFORMANCE

SPEED	1	2	3
CFM	200	590	1000
SONES	2.0	6.4	8.0

SPECIFICATIONS

ELECTRICAL 115VAC 60HZ 4.35 AMP

DIMENSIONS

H MAX 44" - MIN 28 3/4"

W 48" - 36"

D 24"

(Refer to illustration above)

MOUNTING HEIGHT

ABOVE COOKING 27" - 32"

OPTIONS

ADA Compatible Remote

Make Up Air Kit (8")

Duct Cover Extension

(For ceiling up to 10' tall)

XOVREMOTE1

XOMA08

XOEDCV2

RECOMMENDED MOUNTING HEIGHT

All range hoods have a recommended range of installation height over the cooking surface. However cooking styles, types of cooking equipment and installation limitation can vary greatly. For installations outside the recommended range - consult XO.

THESE MODELS HAVE AN 8" DIAMETER VERTICAL EXHAUST DUCT

MAKE-UP AIR

Many states have adopted regulations regarding the re-introduction of make-up air for homes with ventilation systems which can exhaust more than a specified volume of air, typically 400 CFM.

Your cooking equipment and use determine how much ventilation you need. If your local building codes require a make-up air solution based on that need, XO has the answer.

XOMA MAKE-UP AIR KITS

Make-Up Air Kits consist of two parts.

1. A sensor collar which is mounted in the exhaust duct of the hood.

This contains a feather switch that is activated when air flow is detected in the duct.



2. A motorized air inlet damper which is usually mounted to the home's HVAC system.

When it receives a signal from the sensor collar, the damper automatically opens to admit fresh air which is distributed via the HVAC system.

When the blower shuts off, the feather switch returns to the off position and the motorized damper is deactivated. The air inlet damper is automatically closed by a return spring.

