






**nppd**  
furniture and more

9300142


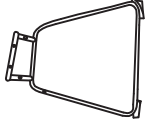
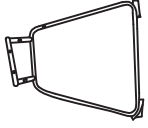

LEIGHTON KD PU  
COUNTER STOOL

ASSEMBLY  
INSTRUCTIONS

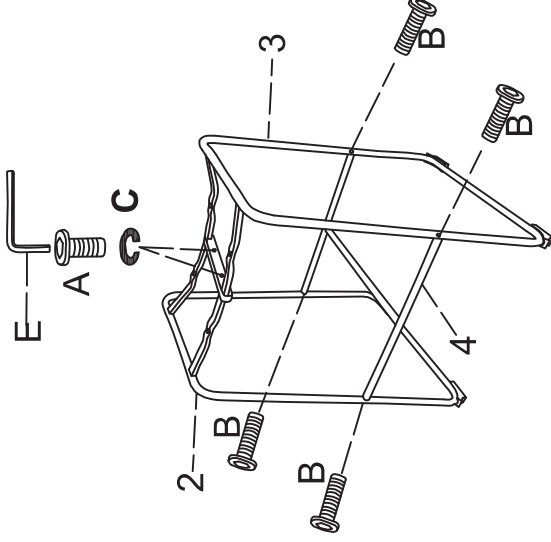
**HARDWARE**

Ax2	Bx8	Cx2	Dx4	Ex1
				
M8X18MM	M6X25MM	M6	M6	M6

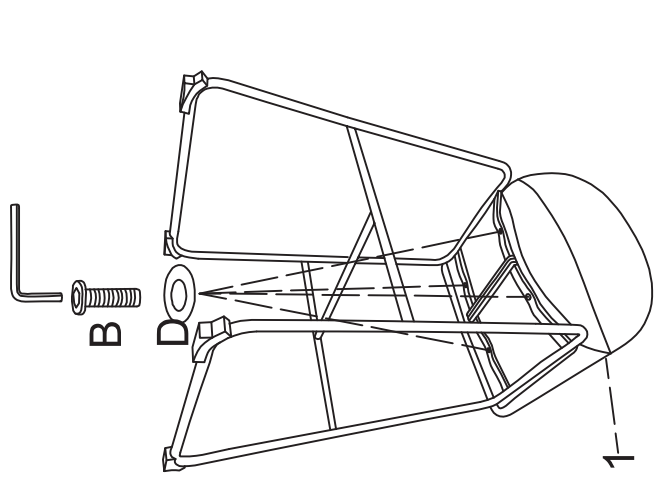
**PARTS**

1x1		2x1	LEFT 
3x1	RIGHT 	4x1	

(1)



(2)



(3)

