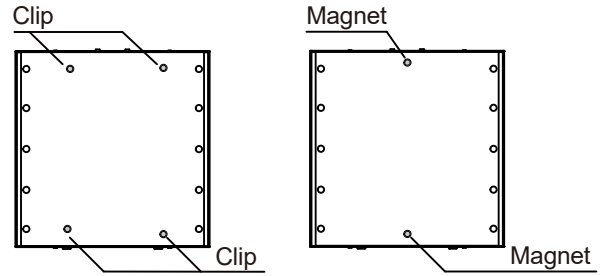
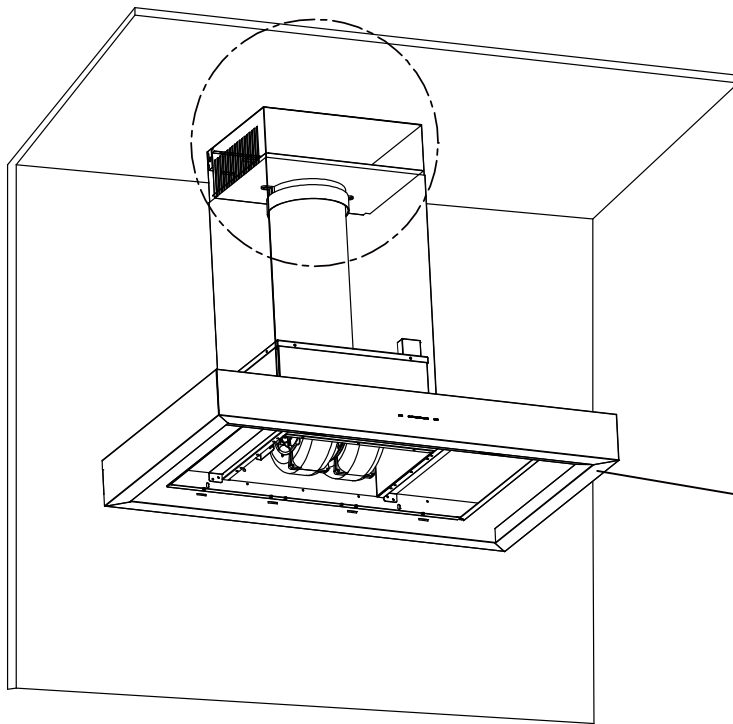


ZRC-00RG

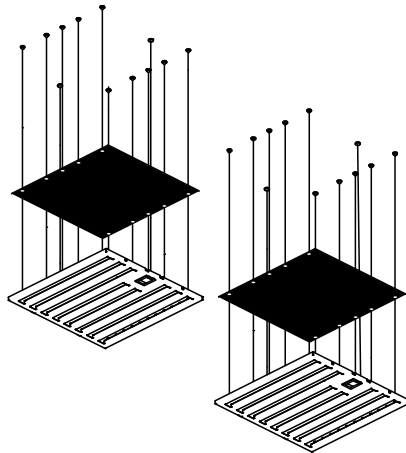
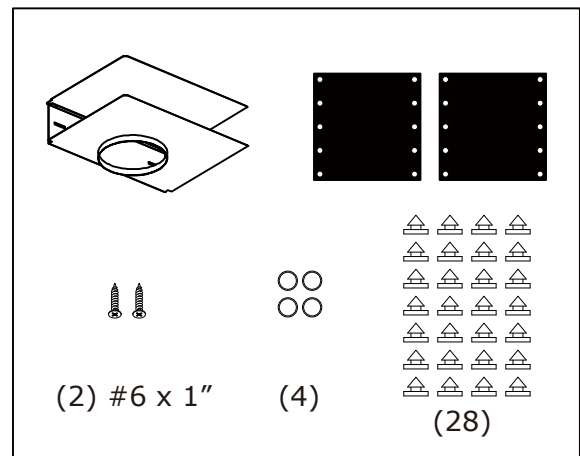
For use with models: ZRG-E30AS , ZRG-M90AS , ZRG-E30BS , ZRG-M90BS



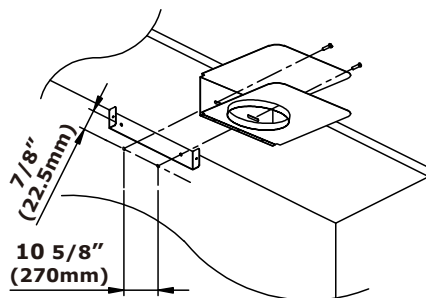
Place charcoal filters to back side of baffle filters. Secure charcoal filters in place by rubber clips. Depending on filter design secure top and bottom of charcoal filters by either rubber clips or magnets.

Remove all black foam from filter opening before installing the charcoal filter brackets.

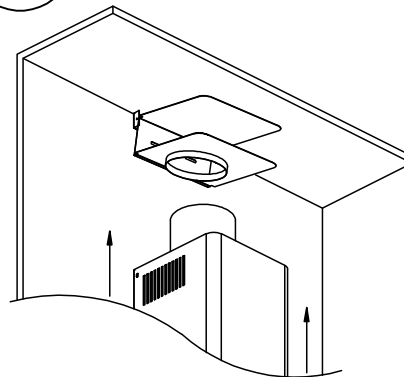
INCLUDED MATERIALS



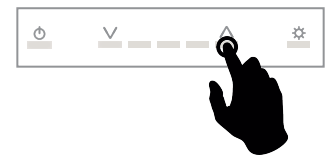
1



2



3



Follow instructions in hood manual to enable the "replace charcoal filter" indicator on the hood controls.