

FREESTANDING GAS RANGE OWNER'S MANUAL GUIDE D'UTILISATION DE LA CUISINIÈRE À GAZ AUTOPORTANTE MANUAL DEL USUARIO DE LA ESTUFA AUTÓNOMA A GAS

Table of Contents/Table des matières/Índice

RANGE SAFETY 2 Range Safety 2 RANGE MAINTENANCE AND CARE 6 General Cleaning 6 Self-Cleaning Cycle 7 INSTALLATION INSTRUCTIONS 7 REQUIREMENTS 7 Tools and Parts 7 Location Requirements 8 Electrical Requirements 9 Gas Supply Requirements 9 INSTALLATION 10 Unpack Range 10 Install Anti-Tip Bracket 11 Make Gas Connection 12 Verify Anti-Tip Bracket Is Installed and Engaged 13 Level Range 13 Electronic Ignition System 14 Storage Drawer 15 Oven Door 16 Complete Installation 16 GAS CONVERSIONS 17 Propane Gas Conversion 17 Natural Gas Conversion 20 Moving the Range 22	SÉCURITÉ DE LA CUISINIÈRE 23 Sécurité de la cuisinière 23 ENTRETIEN ET RÉPARATION DE LA CUISINIÈRE 27 Nettoyage général 27 Programme d'autonettoyage 28 INSTRUCTIONS D'INSTALLATION 29 SPÉCIFICATIONS 29 Outils et pièces 29 Exigences d'emplacement 29 Spécifications électriques 30 Spécifications de l'alimentation en gaz 31 INSTALLATION 32 Déballage de la cuisinière 32 Installation de la bride antibasculement 33 Raccordement au gaz 34 Vérifier que la bride antibasculement est bien installée et engagée 35 Réglage de l'aplomb de la cuisinière 36 Système d'allumage électronique 36 Tiroir de remisage 38 Porte du four 38 Achever l'installation 39 CONVERSIONS POUR CHANGEMENT DE GAZ 39 Conversion pour l'alimentation au propane 40 Conversion pour l'alimentation au gaz naturel 42 Déplacement de la cuisinière 45	SEGURIDAD DE LA ESTUFA 46 Seguridad de la estufa 46 MANTENIMIENTO Y CUIDADO DE LA ESTUFA 50 Limpieza general 50 Ciclo de autolimpieza 51 INSTRUCCIONES DE INSTALACIÓN 52 REQUISITOS 52 Herramientas y piezas 52 Requisitos de ubicación 52 Requisitos eléctricos 54 Requisitos del suministro de gas 54 INSTALACIÓN 56 Desembalaje de la estufa 56 Instalación del soporte antivuelco 56 Conexión del suministro de gas 57 Verifique que el soporte antivuelco esté instalado y enganchado 59 Nivelación de la estufa 59 Sistema de encendido electrónico 59 Cajón de almacenamiento 61 Puerta del horno 62 Finalización de la instalación 62 CONVERSIONES DE GAS 63 Conversión a gas propano 63 Conversión a gas natural 66 Cómo mover la estufa 68
--	--	---

IMPORTANT:

Installer: Leave installation instructions with the homeowner.

Homeowner: Keep installation instructions for future reference.

IMPORTANT :

Installateur : Remettre les instructions d'installation au propriétaire.

Propriétaire : Conserver les instructions d'installation pour référence ultérieure.

IMPORTANT:

Instalador: Déjele las instrucciones de instalación al propietario.

Propietario: Guarde las instrucciones de instalación para futuras consultas.

RANGE SAFETY

WARNING: If the information in these instructions is not followed exactly, a fire or explosion may result causing property damage, personal injury or death.

- Do not store gasoline or other flammable vapors and liquids in the vicinity of this or any other appliance.
- **WHAT TO DO IF YOU SMELL GAS**
 - Do not try to light any appliance.
 - Do not touch any electrical switch.
 - Do not use any phone in your building.
 - Immediately call your gas supplier from a neighbor's phone. Follow the gas suppliers instructions.
 - If you cannot reach your gas supplier, call the fire department.
- Installation and service must be performed by a qualified installer, service agency or the gas supplier.

⚠ WARNING:

Never Operate the Top Surface Cooking Section of this Appliance Unattended

- Failure to follow this warning statement could result in fire, explosion, or burn hazard that could cause property damage, personal injury, or death.
- If a fire should occur, keep away from the appliance and immediately call your fire department.

DO NOT ATTEMPT TO EXTINGUISH AN OIL/GREASE FIRE WITH WATER.

The range will not tip during normal use. However, the range can tip if you apply too much force or weight to the open door without the anti-tip bracket fastened down properly.



⚠ WARNING

Tip Over Hazard

A child or adult can tip the range and be killed.

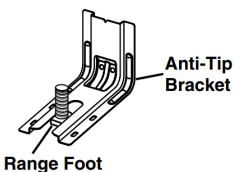
Install anti-tip bracket to floor or wall per installation instructions.

Slide range back so rear range foot is engaged in the slot of the anti-tip bracket.

Re-engage anti-tip bracket if range is moved.

Do not operate range without anti-tip bracket installed and engaged.

Failure to follow these instructions can result in death or serious burns to children and adults.



To verify the anti-tip bracket is properly installed and engaged:

- Slide range forward.
- Look for the anti-tip bracket securely attached to floor or wall.
- Slide range back so rear range foot is under the anti-tip bracket.
- See Installation Instructions for details.

WARNING: Gas leaks cannot always be detected by smell.

Gas suppliers recommend that you use a gas detector approved by UL or CSA.

For more information, contact your gas supplier.

If a gas leak is detected, follow the “What to do if you smell gas” instructions.

Your safety and the safety of others are very important.

We have provided many important safety messages in this manual and on your appliance. Always read and obey all safety messages.



This is the safety alert symbol.

This symbol alerts you to potential hazards that can kill or hurt you and others.

All safety messages will follow the safety alert symbol and either the word “DANGER” or “WARNING.” These words mean:

▲ DANGER

You can be killed or seriously injured if you don't immediately follow instructions.

▲ WARNING

You can be killed or seriously injured if you don't follow instructions.

All safety messages will tell you what the potential hazard is, tell you how to reduce the chance of injury, and tell you what can happen if the instructions are not followed.

IMPORTANT: Do not install a ventilation system that blows air downward toward this gas cooking appliance. This type of ventilation system may cause ignition and combustion problems with this gas cooking appliance resulting in personal injury or unintended operation.

In the State of Massachusetts, the following installation instructions apply:

- Installation and repairs must be performed by a qualified or licensed contractor, plumber, or gas fitter qualified or licensed by the State of Massachusetts.
- Acceptable Shut-off Devices: Gas Cocks and Ball Valves installed for use shall be listed.
- A flexible gas connector, when used, must not exceed 4 feet (121.9 cm).

IMPORTANT SAFETY INSTRUCTIONS

WARNING: To reduce the risk of fire, electric shock, or injury to persons when using the appliance, follow basic precautions, including the following:

- **WARNING:** TO REDUCE THE RISK OF TIPPING OF THE RANGE, THE RANGE MUST BE SECURED BY PROPERLY INSTALLED ANTI-TIP DEVICES. TO CHECK IF THE DEVICES ARE INSTALLED PROPERLY, SLIDE RANGE FORWARD, LOOK FOR ANTI-TIP BRACKET SECURELY ATTACHED TO FLOOR OR WALL, AND SLIDE RANGE BACK SO REAR RANGE FOOT IS UNDER ANTI-TIP BRACKET.

WARNING

NEVER use this appliance as a space heater to heat or warm the room. Doing so may result in carbon monoxide poisoning and overheating of the oven.

WARNING

NEVER cover any slots, holes or passages in the oven bottom or cover an entire rack with materials such as aluminum foil. Doing so blocks air flow through the oven and may cause carbon monoxide poisoning. Aluminum foil linings may also trap heat, causing a fire hazard.

- **CAUTION:** Do not store items of interest to children in cabinets above an appliance or on the backguard of an appliance - children climbing on the appliance to reach items could be seriously injured.
- Do Not Leave Children Alone - Children should not be left alone or unattended in area where appliance is in use. They should never be allowed to sit or stand on any part of the appliance.
- Wear Proper Apparel – Loose-fitting or hanging garments should never be worn while using the appliance.
- User Servicing – Do not repair or replace any part of the appliance unless specifically recommended in the manual. All other servicing should be referred to a qualified technician.
- Storage in or on Appliance – Flammable materials should not be stored in an oven or near surface units.
- This appliance is not intended for storage.
- Do Not Use Water on Grease Fires – Smother fire or flame or use dry chemical or foam-type extinguisher.
- Use Only Dry Potholders – Moist or damp potholders on hot surfaces may result in burns from steam. Do not let potholder touch hot surface units. Do not use a towel or other bulky cloth.
- Never Leave Surface Units Unattended at High Heat Settings – Boilover causes smoking and greasy spillovers that may ignite.
- Glazed Cooking Utensils – Only certain types of glass, glass/ceramic, ceramic, earthenware, or other glazed utensils are suitable for range-top service without breaking due to the sudden change in temperature.
- Utensil Handles Should Be Turned Inward and Not Extend Over Adjacent Surface Units – To reduce the risk of burns, ignition of flammable materials, and spillage due to unintentional contact with the utensil, the handle of a utensil should be positioned so that it is turned inward, and does not extend over adjacent surface units.
- Disconnect power before servicing.
- This appliance is equipped with a three-prong grounding plug for your protection against shock hazard and should be plugged directly into a properly grounded receptacle. Do not cut or remove the grounding prong from this plug.
- Proper Installation - The appliance, when installed, must be electrically grounded in accordance with local codes, or in the absence of local codes, with the *National Electrical Code, ANSI/NFPA 70* or the *Canadian Electrical Code, CSA C22.1-02*. In Canada, the appliance must be electrically grounded in accordance with Canadian Electrical Code. Be sure your appliance is properly installed and grounded by a qualified technician.
- Injuries may result from the misuse of appliance doors or drawers such as stepping, leaning, or sitting on the doors or drawers.
- Maintenance – Keep range area clear and free from combustible materials, gasoline, and other flammable vapors and liquids.
- Top burner flame size should be adjusted so it does not extend beyond the edge of the cooking utensil. This instruction is based on safety considerations.
- Do not use replacement parts that have not been recommended by the manufacturer (e.g. parts made at home using a 3D printer).
- Clean Cooktop With Caution – If a wet sponge or cloth is used to wipe spills on a hot cooking area, be careful to avoid steam burn. Some cleaners can produce noxious fumes if applied to a hot surface.
- Use Care When Opening Door – Let hot air or steam escape before removing or replacing food.
- Do Not Heat Unopened Food Containers – Build-up of pressure may cause container to burst and result in injury.
- Keep Oven Vent Ducts Unobstructed.
- DO NOT TOUCH HEATING ELEMENTS OR INTERIOR SURFACES OF OVEN – Heating elements may be hot even though they are dark in color. Interior surfaces of an oven become hot enough to cause burns. During and after use, do not touch, or let clothing or other flammable materials contact heating elements or interior surfaces of oven until they have had sufficient time to cool. Other surfaces of the appliance may become hot enough to cause burns – among these surfaces are oven vent openings and surfaces near these openings, oven doors, and windows of oven doors.

SAVE THESE INSTRUCTIONS

IMPORTANT SAFETY INSTRUCTIONS

- Care must be taken to prevent aluminum foil and meat probes from contacting heating elements.

For self-cleaning ranges –

- **CAUTION: DO NOT LEAVE FOOD OR COOKING UTENSILS, ETC., IN OVEN DURING THE PYROLYTIC SELF-CLEANING MODE OF OPERATION.**
- Do Not Clean Door Gasket – The door gasket is essential for a good seal. Care should be taken not to rub, damage, or move the gasket.
- Do Not Use Oven Cleaners – No commercial oven cleaner or oven liner protective coating of any kind should be used in or around any part of the oven.
- Clean Only Parts Listed in Manual.
- Before Self-Cleaning the Oven – Remove broiler pan and other utensils. Wipe off all excessive spillage before initiating the cleaning cycle.

For units with ventilating hood –

- Clean Ventilating Hoods Frequently – Grease should not be allowed to accumulate on hood or filter.
- When flaming foods under the hood, turn the fan on.

For smart enabled ranges and ovens

- Remote operation – This appliance is configurable to allow remote operation at any time. Do not store any flammable materials or temperature sensitive items inside, on top or near surface units of the appliance.

SAVE THESE INSTRUCTIONS

RANGE MAINTENANCE AND CARE

General Cleaning

IMPORTANT: Before cleaning, make sure all controls are OFF and the oven and cooktop are cool. Always follow label instructions on cleaning products.

Soap, water, and a soft cloth or sponge are suggested first, unless otherwise noted.

EXTERIOR PORCELAIN ENAMEL SURFACES (on some models)

Food spills containing acids, such as vinegar and tomato, should be cleaned as soon as the entire range is cool. These spills may affect the finish.

Cleaning Method:

- Glass cleaner, mild liquid cleaner, or nonabrasive scrubbing pad: Gently clean around the model/serial/rating plate because scrubbing may remove numbers.
- Affresh®† Kitchen and Appliance Cleaner Part Number W10355010 (not included):

See the Quick Start Guide for ordering information.

STAINLESS STEEL (on some models)

NOTE: To avoid damage to stainless steel surfaces, do not use soap-filled scouring pads, abrasive cleaners, Cooktop Cleaner, steel-wool pads, gritty washcloths, or abrasive paper towels. Damage may occur to stainless steel surfaces, even with one-time or limited use.

Cleaning Method:

- Rub in direction of grain to avoid damaging.
- Affresh® Stainless Steel Cleaner Part Number W10355016 (not included):

See the Quick Start Guide for ordering information.

METALLIC PAINT (on some models)

Do not use abrasive cleaners, cleaners with bleach, rust removers, ammonia, or sodium hydroxide (lye) because paint surface may stain.

PORCELAIN-COATED GRATES AND CAPS

Food spills containing acids, such as vinegar and tomato, should be cleaned as soon as the cooktop, grates and caps are cool. These spills may affect the finish.

To avoid chipping, do not bang grates, and caps against each other or hard surfaces such as cast iron cookware.

Do not reassemble caps on burners while wet. Do not clean in the Self-Cleaning cycle.

Cleaning Method:

- Nonabrasive plastic scrubbing pad and mildly abrasive cleanser: Clean as soon as cooktop, grates, and caps are cool.

- Dishwasher (grates only, not caps):

Use the most-aggressive cycle. Cooked-on soils should be soaked or scrubbed before going into a dishwasher.

Although the burner grates are durable, they may lose their shine and/or discolor when washed in a dishwasher.

- Gas Grate and Drip Pan Cleaner Part Number 31617 (not included):

See the Quick Start Guide for ordering information.

SURFACE BURNERS

Food spills containing acids, such as vinegar and tomato, should be cleaned as soon as the cooktop, grates, and caps are cool. These spills may affect the finish.

To avoid chipping, do not bang grates and caps against each other or hard surfaces such as cast iron cookware.

Do not reassemble caps on burners while wet.

Do not clean in the Self-Cleaning cycle.

Do not clean in dishwasher.

Cleaning Method:

- Nonabrasive plastic scrubbing pad and mildly abrasive cleanser:

Clean as soon as cooktop, grates, burners, and caps are cool.

- Gas Grate and Drip Pan Cleaner (not included).

COOKTOP CONTROLS

To avoid damage to the cooktop controls, do not use steel wool, abrasive cleansers, or oven cleaner.

To avoid damage, do not soak knobs. When replacing knobs, make sure knobs are in the Off position.

On some models, do not remove seals under knobs.

Cleaning Method:

- Soap and water: Pull knobs straight away from control panel to remove

CONTROL PANEL AND OVEN DOOR EXTERIOR

To avoid damage to the control panel, do not use abrasive cleaners, steel-wool pads, gritty washcloths, or abrasive paper towels.

Cleaning Method:

- Glass cleaner and soft cloth or sponge: Apply glass cleaner to soft cloth or sponge, not directly on panel.
 - Affresh® Kitchen and Appliance Cleaner Part Number W10355010 (not included):
- See the Quick Start Guide for ordering information.

OVEN RACKS

Cleaning Method:

- Steel-wool pad.
- For racks that have discolored and are harder to slide, a light coating of vegetable oil applied to the rack guides will help them slide.
- Dishwasher (steam rack water reservoir only, not racks): Although the water reservoir is durable, it may lose its shine and/or discolor when washed in a dishwasher.

STORAGE DRAWER (on some models)

Check that storage drawer is cool and empty before cleaning.

Cleaning Method:

- Mild detergent

OVEN CAVITY

Do not use oven cleaners.

Food spills should be cleaned when oven cools. At high temperatures, foods react with porcelain. Staining, etching, pitting, or faint white spots can result.

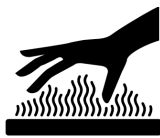
Cleaning Method:

- Self-Cleaning cycle: See the "Self-Cleaning Cycle" or "Clean Cycle" section first.

†affresh® is a registered trademark of Whirlpool, U.S.A.

Self-Cleaning Cycle

⚠WARNING



Burn Hazard

Do not touch the oven during the Self-Cleaning cycle.

Keep children away from the oven during Self-Cleaning cycle.

Failure to follow these instructions can result in burns.

IMPORTANT: The health of some birds is extremely sensitive to the fumes given off during the Self-Cleaning cycle. Exposure to the fumes may result in death to certain birds. Always move birds to another closed and well-ventilated room.

Keep the kitchen well-ventilated during the Self-Cleaning cycle to help get rid of heat, odors, and smoke.

Do not block the oven vent(s) during the Self-Cleaning cycle. Air must be able to move freely. Depending on your model, see the "Oven Vent" or "Oven Vents" section in the Quick Start Guide.

Do not clean, rub, damage, or move the oven door gasket.

Prepare Range

- Remove the broiler pan, grid, cookware and bakeware, all cooking utensils, oven racks, and aluminum foil and, on some models, the temperature probe from the oven.
- Use a damp cloth to clean inside door edge and the 1 $\frac{1}{2}$ " (3.8 cm) area around the inside oven cavity frame, being certain not to move or bend the gasket.
- Wipe out any loose soil to reduce smoke and avoid damage. At high temperatures, foods react with porcelain. Staining, etching, pitting, or faint white spots can result. This will not affect cooking performance.
- Remove plastic items from the cooktop because they may melt.
- Remove all items from the storage drawer.

How the Cycle Works

IMPORTANT: The heating and cooling of porcelain on steel in the oven may result in discoloring, loss of gloss, hairline cracks and popping sounds.

Before self-cleaning, make sure the door is completely closed or the door will not lock and the Self-Cleaning cycle will not begin.

The Self-Cleaning cycle uses very high temperatures, burning soil to a powdery ash.

Once the oven has completely cooled, remove ash with a damp cloth. To avoid breaking the glass, do not apply a cool, damp cloth to the inner door glass before it has completely cooled.

To stop the Self-Cleaning cycle at any time, press the Cancel keypad. If the temperature is too high, the oven door will remain locked and "cool" and "(lock symbol)" will be displayed. The cooling fan may continue to run.

When the "DOOR LOCKED" indicator light shows in the display, the door of the oven cannot be opened. To avoid damage to the door, do not force the door open when the "DOOR LOCKED" indicator light is displayed.

Once the cleaning temperature has been reached, the electronic control requires a 12 hour delay before another Self-Cleaning cycle can be started.

The oven light will not function during the Self-Cleaning cycle.

Electronic Oven Control with Adjustable Clean Time (on some models)

The Self-Cleaning cycle is time adjustable between 2 hours 30 minutes and 4 hours 30 minutes in 15 or 30 minute increments. Suggested clean times are 2 hours 30 minutes for light soil and 4 hours 30 minutes for heavy soil. The last 30 minutes of the cycle is for cooldown.

To Self-Clean:

1. Press SELF CLEAN.
2. Press the Temp/Time "+" or "-" keypad to enter the desired Self-Cleaning cycle time.
3. Press START.

The oven door will automatically lock. The DOOR LOCKED and CLEAN indicator lights will be displayed. The time remaining will also be displayed.

4. When the self-clean cycle is complete and the oven cools, the DOOR LOCKED and CLEAN indicator lights will turn off.
5. When the oven is completely cooled, remove ash with a damp cloth.

To exit the Self-Cleaning cycle before completed, press CANCEL. The door will unlock once the oven cools.

INSTALLATION INSTRUCTIONS REQUIREMENTS

Tools and Parts

Gather the required tools and parts before starting installation. Read and follow the instructions provided with any tools listed here.

Tools Needed

- Tape measure
- Flat-blade screwdriver
- Phillips screwdriver
- 1/8" flat-blade screwdriver
- Level
- Hand or electric drill
- Hammer
- Wrench or pliers
- Pipe wrench
- 15/16" combination wrench
- 1/4" drive ratchet
- 3/8" nut driver
- 1/8" drill bit (for wood floors)
- Marker or pencil
- Pipe-joint compound resistant to Propane gas
- Noncorrosive leak-detection solution
- 3/16" carbide-tipped masonry drill bit (for concrete/ceramic floors) (For Slide-in/Front Control Ranges)

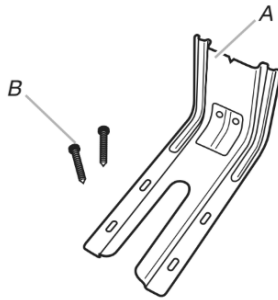
For Propane/Natural Gas Conversions

- 3/8" combination wrench
- 1/2" combination wrench
- 5/8" combination wrench
- 5/16" nut driver
- Quadrex[®]† or Phillips screwdriver
- Masking tape
- 3/8" nut driver (For Slide-in/Front Control Ranges)

†Quadrex[®] is a registered trademark of NLW Holdings, Inc.

Parts Supplied

Check that all parts are included.



- A. Anti-tip bracket
- B. #12 x 1⁵/₈" (4.1 cm) screws (2)

Anti-tip bracket must be securely mounted to floor or wall. Thickness of flooring may require longer screws to anchor bracket to floor.

Parts needed

Check local codes and consult gas supplier. Check existing gas supply and electrical supply. See "Electrical Requirements" and "Gas Supply Requirements" sections.

NOTE: Be sure to purchase only Whirlpool factory-certified parts and accessories for your appliance. Your installation may require additional parts. To order, refer to the contact information referenced in your Quick Start Guide.

Location Requirements

IMPORTANT: Observe all governing codes and ordinances. Do not obstruct flow of combustion and ventilation air.

- It is the installer's responsibility to comply with installation clearances specified on the model/serial/rating plate. The model/serial/rating plate is located behind the oven door on the top right/left-hand side of the oven frame.
- The range should be located for convenient use in the kitchen.
- Recessed installations must provide complete enclosure of the sides and rear of the range.
- All openings in the wall or floor where range is to be installed must be sealed.
- Cabinet opening dimensions that are shown must be used. Given dimensions are minimum clearances.
- The anti-tip bracket must be installed. To install the anti-tip bracket shipped with the range, see "Install Anti-Tip Bracket" section.
- Grounded electrical supply is required. See "Electrical Requirements" section.
- Proper gas supply connection must be available. See "Gas Supply Requirements" section.
- Contact a qualified floor covering installer to check that the floor covering can withstand at least 200°F (93°C).
- Use an insulated pad or 1/4" (6.4 mm) plywood under range if installing range over carpeting.

IMPORTANT: To avoid damage to your cabinets, check with your builder or cabinet supplier to make sure that the materials used will not discolor, delaminate or sustain other damage. This oven has been designed in accordance with the requirements of UL and CSA International and complies with the maximum allowable wood cabinet temperatures of 194°F (90°C).

Mobile Home - Additional Installation Requirements

The installation of this range must conform to the Manufactured Home Construction and Safety Standard, Title 24 CFR, Part 3280 (formerly the Federal Standard for Mobile Home Construction and Safety, Title 24, HUD Part 280). When such standard is not applicable, use the Standard for Manufactured Home Installations, ANSI A225.1/NFPA 501A or with local codes. In Canada, the installation of this range must conform with the current standards CAN/CSA-Z240.1 - latest edition, or with local codes.

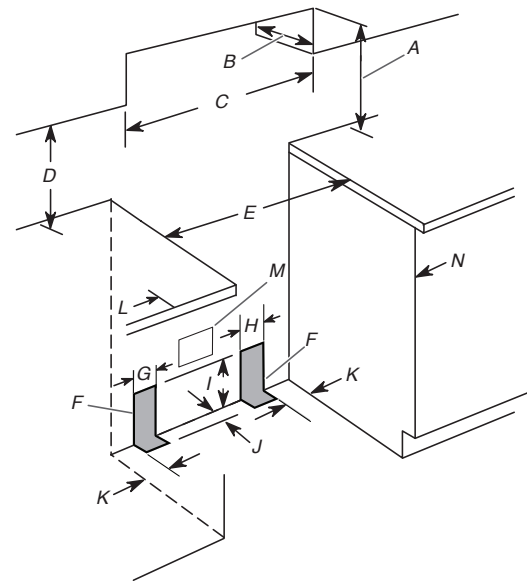
Mobile Home Installations Require:

- When this range is installed in a mobile home, it must be secured according to the instructions in this document. Any method of securing the range is adequate as long as it conforms to the standards listed above.

Cabinet Dimensions

Cabinet opening dimensions shown are for 25" (64.0 cm) countertop depth, 24" (61.0 cm) base cabinet depth and 36" (91.4 cm) countertop height.

IMPORTANT: If installing a range hood or microwave hood combination above the cooking surface, follow the range hood or microwave hood combination installation instructions for dimensional clearances above the cooktop surface.



- A. For minimum clearance to top of cooktop, see NOTE*.
- B. 13" (33 cm) max. upper cabinet depth
- C. 30" (76.2 cm) minimum opening width
- D. 18" (45.7 cm) upper side cabinet to countertop
- E. 30" (76.2 cm) minimum opening width
- F. The shaded areas are recommended for installation of rigid gas pipe.
- G. 4¹/₂" (11.4 cm)
- H. 8" (20.3 cm)
- I. 17" (43.2 cm)
- J. 2" (5.1 cm)
- K. 4¹/₂" (11.4 cm)
- L. 3" (7.6 cm) min. clearance from both sides of range to side wall or other combustible material.
- M. Grounded outlet
- N. Cabinet door or hinges should not extend into the cutout.

*NOTE: 24" (61.0 cm) minimum when bottom of wood or metal cabinet is shielded by not less than 1/4" (6.35 mm) flame retardant millboard covered with not less than No. 28 MSG sheet steel, 0.015" (0.4 mm) stainless steel, 0.024" (0.6 mm) aluminum or 0.020" (0.5 mm) copper. 30" (76.2 cm) minimum clearance between the top of the cooking platform and the bottom of an uncovered wood or metal cabinet.

Electrical Requirements

⚠WARNING



Electrical Shock Hazard

- Plug into a grounded 3 prong outlet.
- Do not remove ground prong.
- Do not use an adapter.
- Do not use an extension cord.
- Failure to follow these instructions can result in death, fire, or electrical shock.

IMPORTANT: The range must be electrically grounded in accordance with local codes and ordinances, or in the absence of local codes, with the National Electrical Code, ANSI/NFPA 70 or Canadian Electrical Code, CSA C22.1.

This range is equipped with an electronic ignition system that will not operate if plugged into an outlet that is not properly polarized.

If codes permit and a separate ground wire is used, it is recommended that a qualified electrical installer determine that the ground path is adequate.

A copy of the above code standards can be obtained from:

National Fire Protection Association

1 Batterymarch Park
Quincy, MA 02169-7471

CSA International
8501 East Pleasant Valley Road
Cleveland, OH 44131-5575

- A 120 V, 60 Hz, AC only, 15 A fused, ground and polarized electrical circuit is required. A time-delay fuse or circuit breaker is also recommended. It is recommended that a separate circuit serving only this range be provided.
- Electronic ignition systems operate within wide voltage limits, but proper grounding and polarity are necessary. Check that the outlet provides 120 V power and is correctly grounded.
- This gas range is not required to be plugged into a GFCI (Ground-Fault Circuit Interrupter) outlet. It is recommended that you do not plug an electric spark ignition gas range or any other major appliance into a GFCI wall outlet as it may cause the GFCI to trip during normal cycling.
- Performance of this range will not be affected if operated on a GFCI-protected circuit. However, occasional nuisance tripping of the GFCI breaker is possible due to the normal operating nature of electronic gas ranges.

NOTE: The metal chassis of the range must be grounded in order for the control panel to work. If the metal chassis of the range is not grounded, no keypads will operate. Check with a qualified electrician if you are in doubt as to whether the metal chassis of the range is grounded.

Gas Supply Requirements

⚠WARNING



Explosion Hazard

- Use a new CSA International approved gas supply line.
- Install a shut-off valve.
- Securely tighten all gas connections.
- If connected to propane, have a qualified person make sure gas pressure does not exceed 14" (36 cm) water column.
- Examples of a qualified person include: licensed heating personnel, authorized gas company personnel, and authorized service personnel.
- Failure to do so can result in death, explosion, or fire.

Observe all governing codes and ordinances.

IMPORTANT: This installation must conform with all local codes and ordinances. In the absence of local codes, installation must conform with the National Fuel Gas Code ANSI Z223.1/NFPA 54 or, in Canada, the Natural Gas and Propane Installation Code, CSA B149.1 - latest edition.

IMPORTANT: Leak testing of the range must be conducted according to the manufacturer's instructions. Refer to the "Complete Connection" in the "Make gas connection" section for the leak testing instructions.

Type of Gas

Natural Gas:

- This range is factory set for use with Natural gas. See "Gas Conversions" section. The model/serial/rating plate located on the oven frame behind of the oven door has information on the types of gas that can be used. If the types of gas listed do not include the type of gas available, check with the local gas supplier.

Propane Gas Conversion:

Conversion must be done by a qualified service technician.

No attempt shall be made to convert the appliance from the gas specified on the model/serial/rating plate for use with a different gas without consulting the serving gas supplier. See "Gas Conversions" section.

Gas Supply Line

- Provide a gas supply line of 3/4" (1.9 cm) rigid pipe to the range location. A smaller size pipe on longer runs may result in insufficient gas supply. With Propane gas, piping or tubing size can be 1/2" (1.3 cm) minimum. Usually, Propane gas suppliers determine the size and materials used in the system.
- **NOTE:** Pipe-joint compounds that resist the action of Propane gas must be used. Do not use TEFLON[®]† tape.

†TEFLON[®] is a registered trademark of Chemours.

Flexible Metal Appliance Connector:

- If local codes permit, a new CSA design-certified, 4 to 5 ft (122 to 152.4 cm) long, 1/2" (13 mm) or 3/4" (19 mm) I.D., flexible metal appliance connector may be used for connecting range to the gas supply line.



- A 1/2" (13 mm) male pipe thread is needed for connection to the female pipe threads of the inlet to the appliance pressure regulator.
- Do not kink or damage the flexible metal tubing when moving the range.

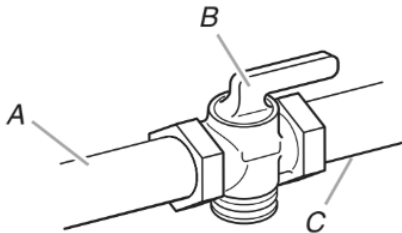
Rigid pipe connection:

The rigid pipe connection requires a combination of pipe fittings to obtain an in-line connection to the range. The rigid pipe must be level with the range connection. All strains must be removed from the supply and fuel lines so range will be level and in line.



- Must include a shut-off valve:

Install a manual gas line shut-off valve in an easily accessible location. Do not block access to shut-off valve. The valve is for turning on or shutting off gas to the cooktop.



- A. Gas supply line
- B. Shut-off valve "open" position
- C. To range

Gas Pressure Regulator

The gas pressure regulator supplied with this range must be used. The inlet pressure to the regulator should be as follows for proper operation:

Natural Gas:

Minimum pressure: 5" (12.7 cm) WCP

Maximum pressure: 14" (35.5 cm) WCP

Propane Gas:

Minimum pressure: 11" (27.9 cm) WCP

Maximum pressure: 14" (35.5 cm) WCP

Contact local gas supplier if you are not sure about the inlet pressure.

Burner Input Requirements

Input ratings shown on the model/serial/rating plate are for elevations up to 2,000 ft (609.6 m).

For elevations above 2,000 ft (609.6 m), ratings are reduced at a rate of 4% for each 1,000 ft (304.8 m) above sea level (not applicable for Canada).

Gas Supply Pressure Testing

Gas supply pressure for testing regulator must be at least 1" (2.5 cm) water column pressure above the manifold pressure shown on the model/serial rating plate.

Line pressure testing above 1/2 psi (3.5 kPa) gauge [14" (35.5 cm) WCP]

The range and its individual shutoff valve must be disconnected from the gas supply piping system during any pressure testing of that system at test pressures in excess of 1/2 psi (3.5 kPa).

Line pressure testing at 1/2 psi (3.5 kPa) gauge [14" (35.5 cm) WCP] or lower

The range must be isolated from the gas supply piping system by closing its individual manual shutoff valve during any pressure testing of the gas supply piping system at test pressures equal to or less than 1/2 psi (3.5 kPa).

INSTALLATION

Unpack Range

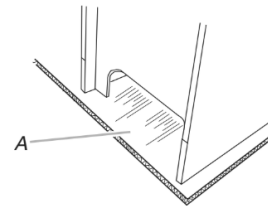
⚠ WARNING

Excessive Weight Hazard

Use two or more people to move and install or uninstall appliance.

Failure to do so can result in back or other injury.

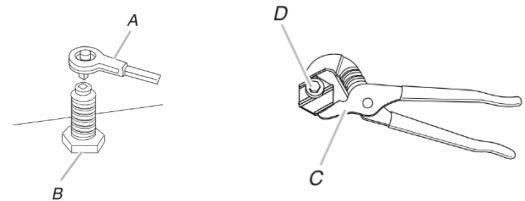
1. Remove shipping materials, tape and film from range.
2. Remove oven racks and parts package from inside oven.
3. Do not remove the shipping base at this time.



A. Shipping base

4. On Ranges Equipped with a Storage Drawer:

Remove the storage drawer. See the "Storage Drawer" section. Use a 1/4" (6.4 mm) drive ratchet to lower the rear leveling legs one-half turn. Use a wrench or pliers to lower front leveling legs one-half turn.



A. 1/4" (6.4 mm) drive ratchet

B. Rear leveling leg

C. Wrench or pliers

D. Front leveling leg

Install Anti-Tip Bracket

⚠ WARNING



Tip Over Hazard

A child or adult can tip the range and be killed.

Install anti-tip bracket to floor or wall per installation instructions.

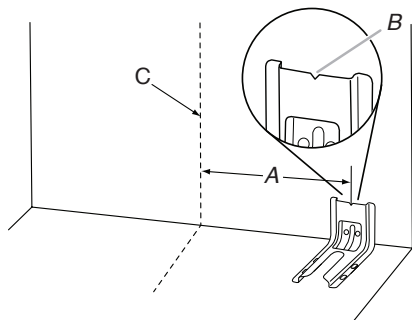
Slide range back so rear range foot is engaged in the slot of the anti-tip bracket.

Re-engage anti-tip bracket if range is moved.

Do not operate range without anti-tip bracket installed and engaged.

Failure to follow these instructions can result in death or serious burns to children and adults.

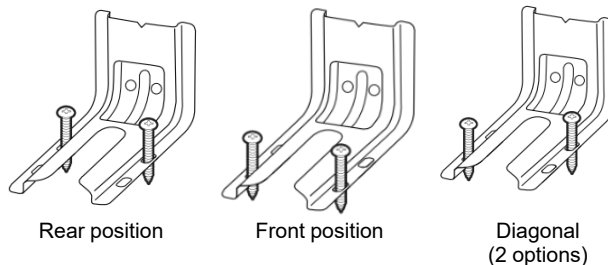
1. Remove the anti-tip bracket from where it is taped inside the storage drawer.
2. Determine which mounting method to use: floor or wall. If you have a stone or masonry floor, you can use the wall mounting method. If you are installing the range in a mobile home, you must secure the range to the floor.
3. Determine and mark centerline of the cutout space. The mounting can be installed on either the left side or right side of the cutout. Position mounting bracket against the wall in the cutout so that the V-notch of the bracket is $12\frac{9}{16}$ " (31.9 cm) from centerline as shown.



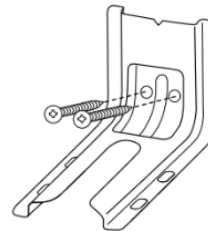
- A. $12\frac{9}{16}$ " (31.9 cm)
- B. Bracket V-notch
- C. Centerline

4. Drill two $\frac{1}{8}$ " (3 mm) holes that correspond to the bracket holes of the determined mounting method. See the following illustrations.

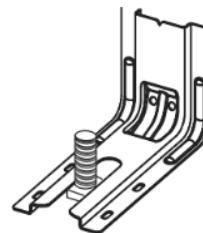
Floor Mounting



Wall Mounting



5. Using the Phillips screwdriver, mount anti-tip bracket to the wall or floor with the two #12 x $1\frac{5}{8}$ " (4.1 cm) screws provided, mount anti-tip bracket to the wall or floor.
6. Move range close enough to opening to allow for final gas and electrical connections. Remove shipping base, cardboard or hardboard from under range.
7. Move range into its final location, making sure rear leveling leg slides into anti-tip bracket.



8. Move range forward onto shipping base, cardboard or hardboard to continue installing the range using the following installation instructions.

Make Gas Connection

⚠ WARNING



Explosion Hazard

Use a new CSA International approved gas supply line.

Install a shut-off valve.

Securely tighten all gas connections.

If connected to propane, have a qualified person make sure gas pressure does not exceed 14" (36 cm) water column.

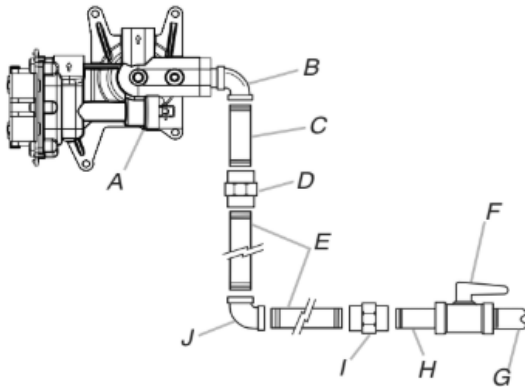
Examples of a qualified person include: licensed heating personnel, authorized gas company personnel, and authorized service personnel.

Failure to do so can result in death, explosion, or fire.

Typical rigid pipe connection

A combination of pipe fittings must be used to connect the range to the existing gas line. Your connections may be different, according to the supply line type, size and location.

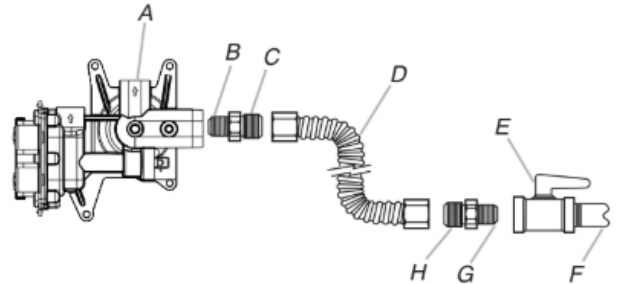
1. Apply pipe-joint compound made for use with Propane gas to all pipe thread connections.
2. Using a pipe wrench to tighten, connect the gas supply to the range.



- | | |
|---|--|
| A. Gas pressure regulator | F. Manual gas shutoff valve |
| B. 90° elbow (must have 1/3" [1.2 cm] male pipe thread) | G. 1/2" (1.3 cm) or 3/4" (1.9 cm) gas pipe |
| C. Nipple | H. Nipple |
| D. Union | I. Union |
| E. 90° elbow | J. 90° elbow |

Typical flexible connection

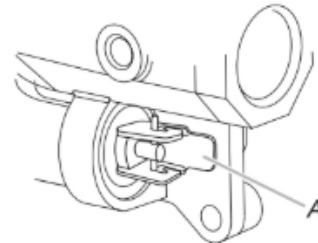
1. Apply pipe-joint compound made for use with propane gas to the smaller thread ends of the flexible connector adapters (see B and G in the following illustration).
2. Attach one adapter to the gas pressure regulator and the other adapter to the gas shut-off valve. Tighten both adapters.
3. Use a 15/16" (23.8 mm) combination wrench and channel lock pliers to attach the flexible connector to the adapters. Check that connector is not kinked.



- | | |
|--|--|
| A. Gas pressure regulator | E. Manual gas shutoff valve |
| B. Use pipe-joint compound. | F. 1/2" (12.7 mm) or 3/4" (19.1 mm) gas pipe |
| C. Adapter (must have 1/3" [12.7 mm] male pipe thread) | G. Use pipe-joint compound. |
| D. Flexible connector | H. Adapter |

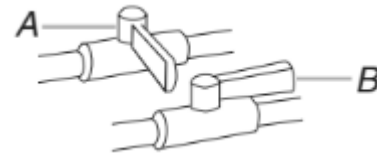
Complete Connection

1. Check that the gas pressure regulator shutoff valve is in the "on" position.



A. Gas pressure regulator shutoff valve shown in the "on" position

2. Open the manual shutoff valve in the gas supply line. The valve is open when the handle is parallel to the gas pipe.

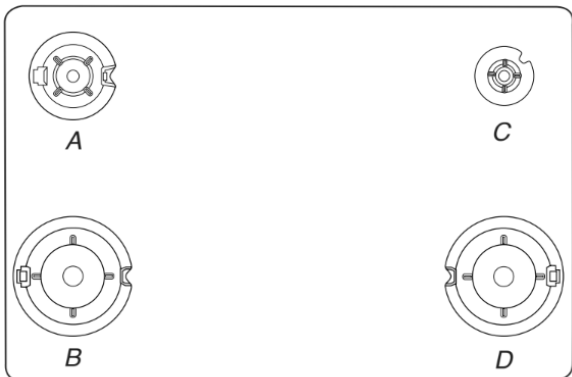


A. Closed valve
B. Open valve

3. Test all connections by brushing on an approved noncorrosive leak-detection solution. If bubbles appear, a leak is indicated. Correct any leak found.

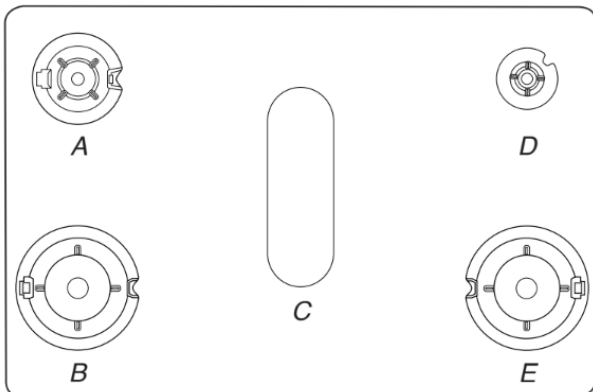
- Remove cooktop burner caps and bases from package containing parts. Place the burner bases as indicated by the following illustration for your model:

For 4-Burner Models:



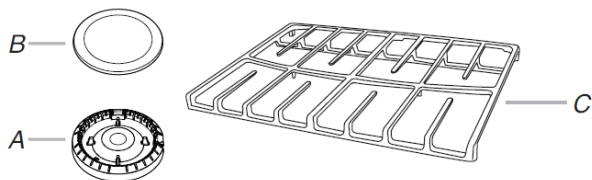
- A. Medium (Semi Rapid) C. Small (Auxiliary)
 B. Large (Ultra Rapid) D. Large (Ultra Rapid)

For 5-Burner Models:



- A. Medium (Semi Rapid) D. Small (Auxiliary)
 B. Large (Ultra Rapid) E. Large (Ultra Rapid)
 C. Oval

5. Burner caps should be level when properly positioned. If burner caps are not properly positioned, surface burners will not light. Place burner grates over burners and caps.



- A. Burner base
 B. Burner cap
 C. Burner grate

6. Place the burner caps on the appropriate burner bases.

IMPORTANT: The bottom of the small and medium caps are different. Do not put the wrong size burner cap on the burner base. Each round burner cap is marked with an AUX, SR, UR, or ST to match with a letter on the burner base.



⚠ WARNING

Electrical Shock Hazard

Plug into a grounded 3 prong outlet.

Do not remove ground prong.

Do not use an adapter.

Do not use an extension cord.

Failure to follow these instructions can result in death, fire, or electrical shock.

7. Plug into a grounded 3-prong outlet.
8. Slide range into final location, making sure the rear leveling leg slides into the slot of the anti-tip bracket.

Verify Anti-Tip Bracket Is Installed and Engaged

On Ranges Equipped with a Storage Drawer:

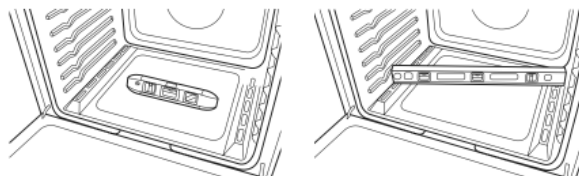
1. Remove the storage drawer. See the "Storage Drawer" section.
2. Use a flashlight to look underneath the bottom of the range.
3. Visually check that the rear range foot is inserted into the slot of the anti-tip bracket.

Level Range

Determine if you have AquaLift® Technology or Steam Clean by referring to the "Range Maintenance and Care" section.

For Ranges with AquaLift® Technology or Steam Clean:

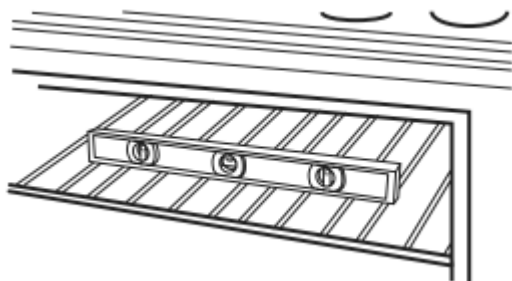
1. Place level on the oven bottom as indicated in one of the two figures below depending on the size of the level. Check with the level side to side and front to back.



2. If range is not level, pull range forward until rear leveling leg is removed from the anti-tip bracket.
3. Follow the directions in Style 1.

For Ranges without AquaLift® Technology or Steam Clean:

1. Place a standard flat rack in oven.
2. Place level on the rack and check levelness of the range, first side to side; then front to back.



3. If range is not level, pull range forward until rear leveling leg is removed from the anti-tip bracket.
4. Follow the directions in Style 1 depending on the style of drawer supplied with the range.

Style 1: Ranges Equipped with a Storage Drawer:

Use a 1/4" (6.4 mm) drive ratchet, wrench or pliers to adjust leveling legs up or down until the range is level. Push range back into position. Check that rear leveling leg is engaged in the anti-tip bracket.

Electronic Ignition System

Initial Lighting and Gas Flame Adjustments

Cooktop and oven burners use electronic igniters in place of standing pilots. When the cooktop control knob is turned to the "LITE" position, the system creates a spark to light the burner. This sparking continues, as long as the control knob is turned to "LITE."

When the oven control is turned to the desired setting, sparking occurs and ignites the gas.

Check Operation of Cooktop Burners

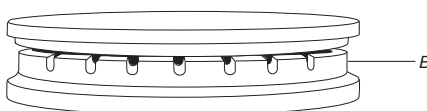
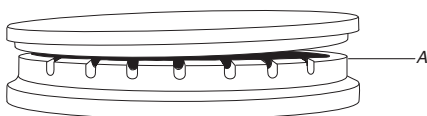
Standard Surface Burners

Push in and turn each control knob to the "LITE" position.

The flame should light within 4 seconds. The first time a burner is lit, it may take longer than 4 seconds to light because of air in the gas line.

If Burners Do Not Light Properly:

- Turn cooktop control knob to the "OFF" position.
- Check that the range is plugged in. Check that the circuit breaker has not tripped or the household fuse has not blown.
- Check that the gas shutoff valves are set to the "open" position.
- Check that burner caps are properly positioned on burner bases.



- A. Incorrect
B. Correct

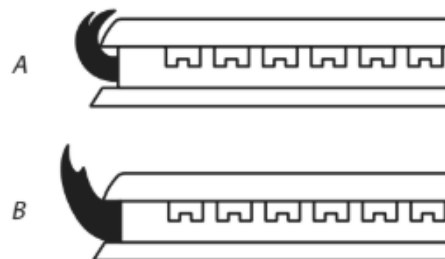
Repeat start-up. If a burner does not light at this point, turn the control knobs to the "OFF" position and contact your dealer or authorized service company for assistance. Please refer the Quick Start Guide for contact information.

Power Failure

In case of prolonged power failure, the surface burners can be lit manually. Hold a lit match near a burner, and turn knob counterclockwise to LITE. After the burner lights, turn knob to desired setting.

Adjust Flame Height

Adjust the height of top burner flames. The cooktop "low" burner flame should be a steady blue flame approximately 1/4" (6.4 mm) high.

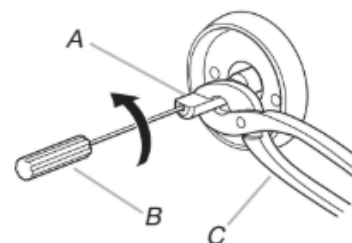


- A. Low flame
B. High flame

To adjust standard burner:

The flame can be adjusted using the adjustment screw in the center of the valve stem. The valve stem is located directly underneath the control knob.

If the "low" flame needs to be adjusted:

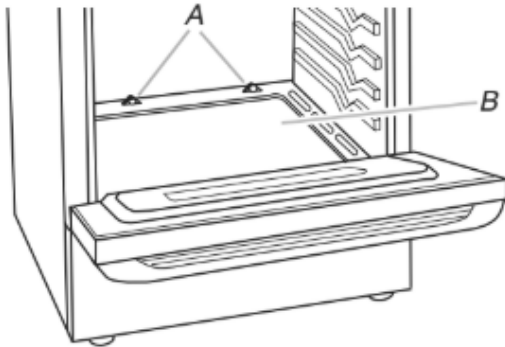


- A. Control knob stem
B. Screwdriver
C. Pliers

1. Light 1 burner and turn to lowest setting.
2. Remove the control knob.
Hold the knob stem with a pair of pliers. Use a small flat blade screwdriver to turn the screw located in the center of the control knob stem until the flame is the proper size.
3. Replace the control knob.
4. Test the flame by turning the control from "LO" to "HI," checking the flame at each setting.
5. Repeat the previous steps for each burner.

Check Operation of Oven Bake Burner

1. Remove the oven rack.
2. To remove the oven bottom: Remove 2 screws at the rear of the oven bottom. Lift the rear of the oven bottom up and back until the front of the panel is away from the front frame. Remove from oven and place on a covered surface.



A. Screws
B. Oven bottom

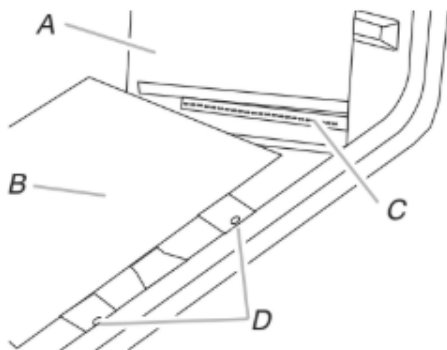
3. You can check the burner flame by removing the flame spreader or by using a mirror.

Remove flame spreader:

Remove 2 screws from the front tabs of the flame spreader. Lift front of the flame spreader and pull forward to remove tabs from rear of oven.

Using a mirror:

Insert a mirror to one side of the burner. Look into the mirror to check flame.



A. Mirror
B. Flame spreader
C. Flame reflection
D. 2 screws

4. Push the BAKE pad.
5. Press the START pad.

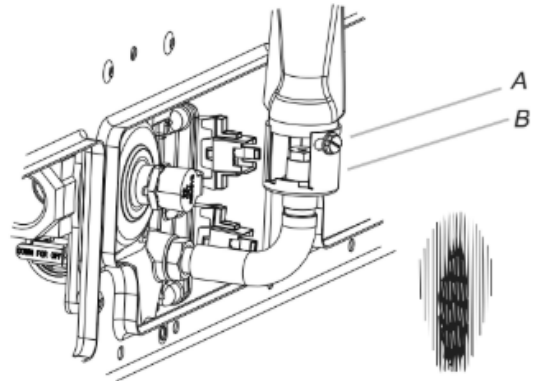
The oven bake burner should light within 8 seconds. Under certain conditions, it may take the burner up to 50 to 60 seconds to light.

Electronic igniters are used to light the bake burners.

Refer to the Quick Start Guide and online Control Guide for proper operation of the oven controls.

Adjust Oven Bake Burner Flame (if needed)

1. Remove the storage drawer. See the "Remove/Replace Drawer", "Storage Drawer" section.
2. Check the oven bake burner for proper flame.
This flame should have a 1/2" (1.3 cm) long inner cone of bluish-green, with an outer mantle of dark blue, and should be clean and soft in character. No yellow tips, blowing or lifting of flame should occur.
3. If the oven bake flame needs to be adjusted, locate the air shutter near the center rear of the range. Loosen the locking screw and rotate the air shutter until the proper flame appears. Tighten locking screw.



A. Locking screw
B. Air shutter

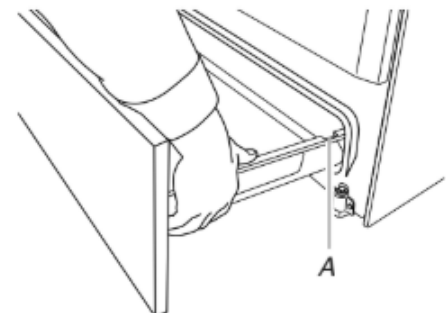
4. Push CANCEL/OFF when finished.
5. Reinstall flame spreader and oven bake burner cover.

Storage Drawer

The storage drawer can be removed. Before removing, make sure drawer is cool and empty.

To Remove:

1. Pull the storage drawer straight back to the drawer stop.



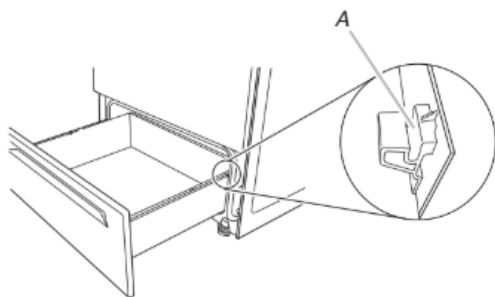
A. Drawer stop notch

2. Lift up the front of the drawer and pull the drawer out.

To Replace:

1. Lift up the front of the drawer and place the rear of the drawer inside the range so that the drawer stop notch is behind the drawer glide.
2. Lower the drawer so that the edge of the slide rail drops into the slot in the drawer glide.

3. Slowly push the drawer into the range.



A. Engage drawer glide.

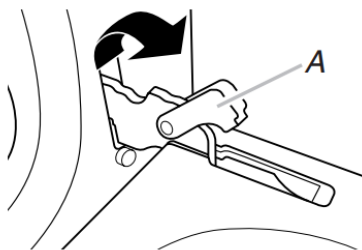
NOTE: When properly installed, the rear slides on the bottom of the drawer will engage the base rails and the drawer will not tip when items are placed in the drawer.

Oven Door

For normal range use, it is not suggested to remove the oven door. However, if removal is necessary, make sure the oven is OFF and cool. Then, follow these instructions. The oven door is heavy.

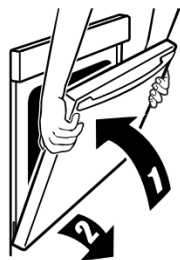
To Remove:

1. Open oven door all the way.
2. Pinch the hinge latch between two fingers and pull forward. Repeat on other side of oven door.



A. Hinge Latch

3. Close the oven door as far as it will shut.
4. Lift the oven door while holding both sides. Continue to push the oven door closed and pull it away from the oven door frame.



To Replace:

1. Insert both hanger arms into the door.



2. Open the oven door. You should hear a click as the door is set into place.
3. Move the hinge levers back to the locked position. Check that the door is free to open and close. If it is not, repeat the removal and installation procedures.

Complete Installation

1. Check that all parts are now installed. If there is an extra part, go back through the steps to see which step was skipped.
2. Check that you have all of your tools.
3. Dispose of/recycle all packaging materials.
4. Check that the range is level. See the "Level Range" section.
5. Use a mild solution of liquid household cleaner and warm water to remove waxy residue caused by shipping material. Dry thoroughly with a soft cloth. For more information, read the "Range Maintenance and Care" section.
6. Read the Quick Start Guide and online Control Guide.
7. Turn on surface burners and oven. See the Quick Start Guide and online Control Guide for specific instruction on range operation.

If Range Does Not Operate, Check the Following:

- Household fuse is intact and tight; or circuit breaker has not tripped.
 - Range is plugged into a grounded 3-prong outlet.
 - Gas pressure regulator shutoff valve is in the "on" position.
 - Electrical supply is connected.
 - See the online "Troubleshooting" section.
8. When the range has been on for 5 minutes, check for heat. If the range is cold, turn off the range and check that the gas supply line shut-off valve is open.
 - If the gas supply line shut-off valve is closed, open it, and then repeat the 5 minute test as outlined above.
 - If the gas supply line shutoff valve is open, press the CANCEL button on the oven control panel and contact a qualified technician.

If You Need Assistance or Service:

Please reference the Quick Start Guide for contact information.

GAS CONVERSIONS

Gas conversions from Natural gas to propane gas or from propane gas to Natural gas must be done by a qualified installer.

⚠️ WARNING



Explosion Hazard

Use a new CSA International approved gas supply line.

Install a shut-off valve.

Securely tighten all gas connections.

If connected to propane, have a qualified person make sure gas pressure does not exceed 14" (36 cm) water column.

Examples of a qualified person include: licensed heating personnel, authorized gas company personnel, and authorized service personnel.

Failure to do so can result in death, explosion, or fire.

⚠️ WARNING:

This conversion kit shall be installed by a qualified service agency in accordance with the manufacturer's instructions and all applicable codes and requirements of the authority having jurisdiction. If the information in these instructions is not followed exactly, a fire, an explosion or production of carbon monoxide may result causing property damage, personal injury or loss of life. The qualified service agency is responsible for the proper installation of this kit. The installation is not proper and complete until the operation of the converted appliance is checked as specified in the manufacturer's instructions supplied with the kit.

Propane Gas Conversion

⚠️ WARNING



Tip Over Hazard

A child or adult can tip the range and be killed.

Install anti-tip bracket to floor or wall per installation instructions.

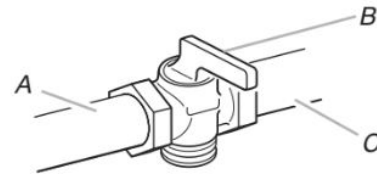
Slide range back so rear range foot is engaged in the slot of the anti-tip bracket.

Re-engage anti-tip bracket if range is moved.

Do not operate range without anti-tip bracket installed and engaged.

Failure to follow these instructions can result in death or serious burns to children and adults.

1. Turn manual shutoff valve to the closed position.



- A. To range
- B. Manual shut-off valve closed position
- C. Gas supply line

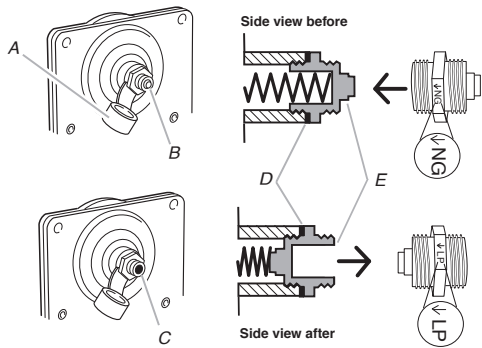
2. Unplug range or disconnect power.

To Convert Gas Pressure Regulator (Natural gas to Propane)

1. Remove the storage drawer. See the "Remove/Replace Drawer", "Storage Drawer" section.
2. Locate gas pressure regulator at rear of the drawer compartment.
3. Remove plastic cover from gas pressure regulator cap.

- Turn gas pressure regulator cap counterclockwise with a 5/8" (1.6 cm) combination wrench to remove.

NOTE: Do not remove the spring beneath the cap.

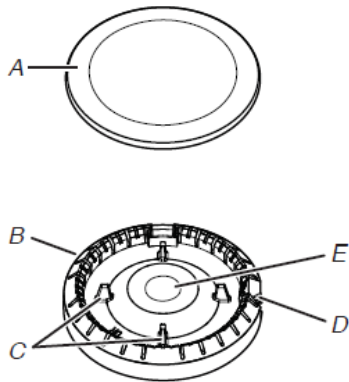


- A. Plastic cover
- B. Gas pressure regulator cap with solid end facing out
- C. Gas pressure regulator cap with hollow end facing out
- D. Washer
- E. Gas pressure regulator cap

- Turn over the gas pressure regulator cap and reinstall on regulator so that the hollow end faces out and the marking "LP" is facing the direction shown in the above drawing.
- Replace plastic cover over gas pressure regulator cap.

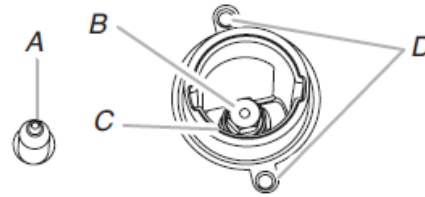
To Convert Surface Burners (Natural Gas to Propane Gas)

- Remove burner cap.
- Remove the burner base.



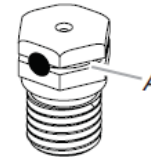
- A. Burner cap
- B. Burner base
- C. Alignment pins
- D. Igniter electrode
- E. Gas tube opening

- Apply masking tape to the end of a 5/16" (7 mm) nut driver to help hold the gas orifice spud in the nut driver while changing it. Press nut driver down onto the gas orifice spud and remove by turning it counterclockwise and lifting out. Set gas orifice spud aside.



- A. Igniter electrode
- B. Orifice spud
- C. Orifice spud holder
- D. Screws

- Remove the orifice spuds shipped in the literature package in the oven. Gas orifice spuds are stamped with a number and have a groove in the hex area. Replace the Natural gas orifice spud with the correct propane gas orifice spud.



- A. Propane groove

Refer to the following chart for correct Propane gas orifice spud placement.

Propane Gas Orifice Spud Chart for Surface Burner

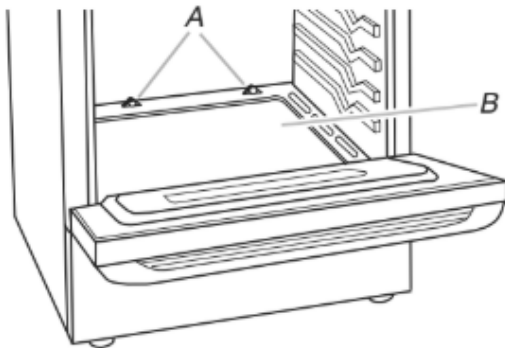
Placement	Burner Rating / Type	Size (mm)	ID Number
LF	14,200 BTU	1.08	108AM
LR	8,000 BTU	0.84	084AM
RF	14,200 BTU	1.08	108AM
RR	5,000 BTU	0.64	064AM
CTR	8,000 BTU	0.84	084AM

NOTE: Refer to the Tech Sheet Located on the rear cover for the applicable individual burner BTU rating per fuel type.

- Place Natural gas orifice spuds in the orifice spud bag.
 - IMPORTANT:** Keep the Natural gas orifice spuds in case of reinstallation with Natural gas.
- Replace the burner base.
- Replace burner cap.
- Repeat steps 1-7 for the remaining burners.

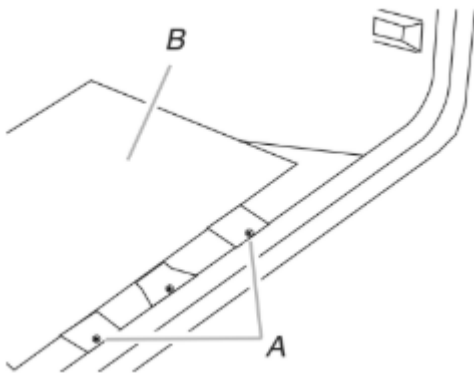
To Convert Oven Bake Burner (Natural Gas to Propane Gas)

1. Remove the oven racks.
2. Remove 2 screws at the rear of the oven bottom.
3. Lift the rear of the oven bottom up and back until the front of the panel is away from the front frame. Remove from oven and set it aside on a covered surface.



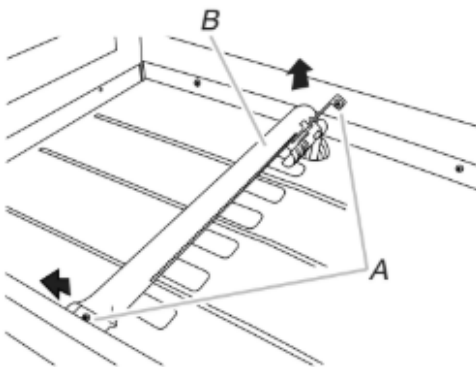
A. Screws
B. Oven bottom

4. Remove 2 screws from the front tabs of the flame spreader. Lift the front of the flame spreader and pull forward to remove tabs from rear of oven and set it aside on a covered surface.



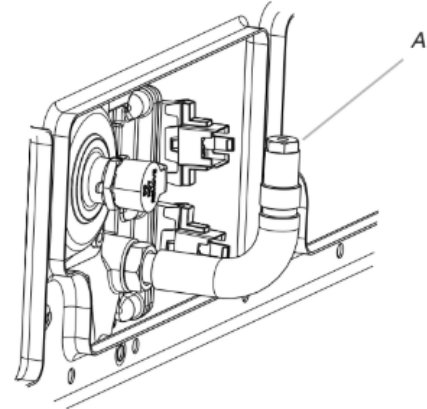
A. Screws
B. Flame spreader

5. Remove 2 screws from the bake burner.
6. Slide the front of the bake burner to the side to remove tab from front of oven. Lift the back of the bake burner off the oven orifice, and set the bake burner aside.



A. Screws
B. Bake burner

7. Use a 3/8" (1 cm) nut driver or combination wrench and turn the Natural gas bake burner orifice spud counterclockwise to remove. The spud will be stamped with a "49."
8. Replace the "49" spud with a "57" spud. Install the Propane gas bake burner orifice spud, turning it clockwise until snug. **IMPORTANT:** Do not overtighten.



A. Orifice spud

9. Position the back of the bake burner over the oven orifice, and slide the tab on front of the bake burner into the front of the oven.
10. Reattach the bake burner with 2 screws.
11. Insert the tabs on the rear of the flame spreader into the rear of the oven.
12. Reattach the front tabs of the flame spreader to the oven with 2 screws.
13. Position the front of the oven bottom panel toward the front frame and lower the rear of the oven bottom panel into the oven.
14. Reattach the oven bottom panel with 2 screws.

Complete Installation (Natural Gas to Propane Gas)

1. Refer to the "Make Gas Connection" section for properly connecting the range to the gas supply.
2. Refer to the "Electronic Ignition System" section for proper burner ignition, operation and burner flame adjustments.

IMPORTANT: You may have to adjust the "LO" setting for each cooktop burner.

Checking for proper cooktop, bake burner flame is very important. The small inner cone should have a very distinct blue flame 1/4" (0.64 cm) to 1/2" (1.3 cm) long. The outer cone is not as distinct as the inner cone. Propane gas flames have a slightly yellow tip.

3. Refer to "Complete Installation" in the "Installation Instructions" section of this manual to complete this procedure.

NOTE: Make sure to save the orifices that have just been replaced in the conversion.

Natural Gas Conversion

⚠ WARNING



Tip Over Hazard

A child or adult can tip the range and be killed.

Install anti-tip bracket to floor or wall per installation instructions.

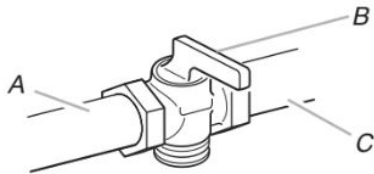
Slide range back so rear range foot is engaged in the slot of the anti-tip bracket.

Re-engage anti-tip bracket if range is moved.

Do not operate range without anti-tip bracket installed and engaged.

Failure to follow these instructions can result in death or serious burns to children and adults.

1. Turn manual shutoff valve to the closed position.



- A. To range
- B. Manual shut-off valve closed position
- C. Gas supply line

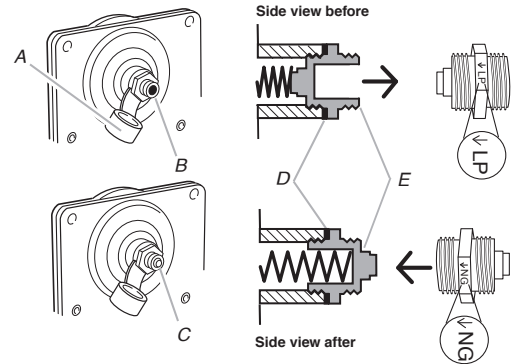
2. Unplug range or disconnect power.

To Convert Gas Pressure Regulator (Propane Gas to Natural Gas)

1. Remove the storage drawer. See the Remove/Replace Storage Drawer section.
2. Locate gas pressure regulator at rear of the drawer compartment.
3. Remove plastic cover from gas pressure regulator cap.

4. Turn gas pressure regulator cap counterclockwise with a 5/8" (1.6 cm) combination wrench to remove.

NOTE: Do not remove the spring beneath the cap.

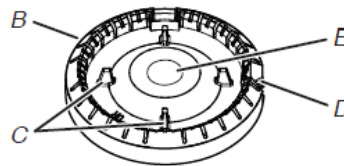
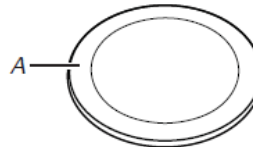


- A. Plastic cover
- B. Gas pressure regulator cap with hollow end facing out
- C. Gas pressure regulator cap with solid end facing out
- D. Washer
- E. Gas pressure regulator cap

5. Turn over the gas pressure regulator cap and reinstall on regulator so that the solid end faces out and the marking "NG" is facing the direction shown in the above drawing.
6. Replace plastic cover over gas pressure regulator cap.

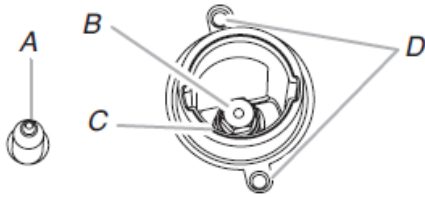
To Convert Surface Burners (Propane Gas to Natural Gas)

1. Remove burner cap.
2. Remove the burner base.



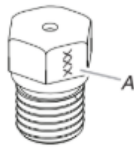
- A. Burner cap
- B. Burner base
- C. Alignment pins
- D. Igniter electrode
- E. Gas tube opening

- Apply masking tape to the end of a 5/16" (7 mm) nut driver to help hold the gas orifice spud in the nut driver while changing it. Press nut driver down onto the gas orifice spud and remove by turning it counterclockwise and lifting out. Set gas orifice spud aside.



- A. Igniter electrode
- B. Orifice spud
- C. Orifice spud holder
- D. Screws

- Gas orifice spuds are stamped with a number on the side. Replace the propane gas orifice spud with the correct Natural gas orifice spud.



- A. Stamped number

Refer to the following chart for the correct Natural gas orifice spud placement.

Natural Gas Orifice Spud Chart

Burner Rating	Size (mm)	ID Number
18,000 BTU	2.00	200AM
17,000 BTU	1.96	196AM
15,000 BTU	1.80	180AM
9,500 BTU	1.40	140AM
8,000 BTU	1.30	130AM
5,000 BTU	1.00	100AM

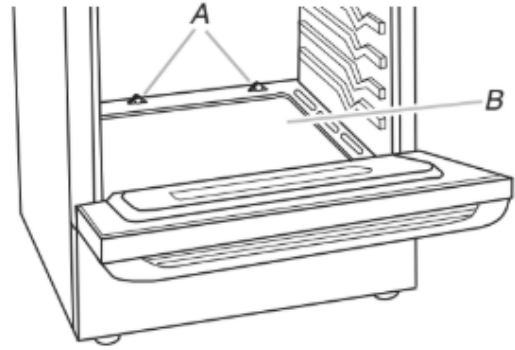
NOTE: Refer to the Tech Sheet Located on the rear cover for the applicable individual burner BTU rating per fuel type.

- Place propane gas orifice spuds in the orifice spud bag.
IMPORTANT: Keep the propane gas orifice spuds in case of reinstallation with propane gas.
- Replace the burner base using both screws.
- Replace burner cap.
- Repeat steps 1 through 7 for the remaining burners.

To Convert Oven Bake Burner (Propane Gas to Natural Gas)

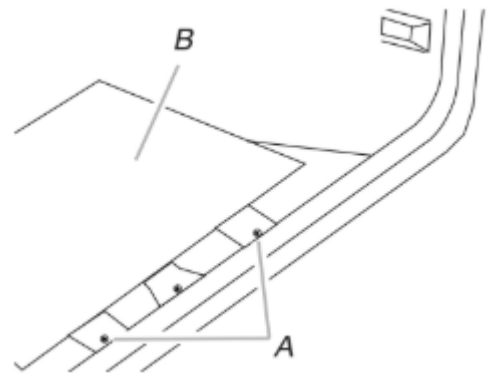
- Remove the oven racks.
- Remove 2 screws at the rear of the oven bottom.

- Lift the rear of the oven bottom up and back until the front of the panel is away from the front frame. Remove from oven and set it aside on a covered surface.



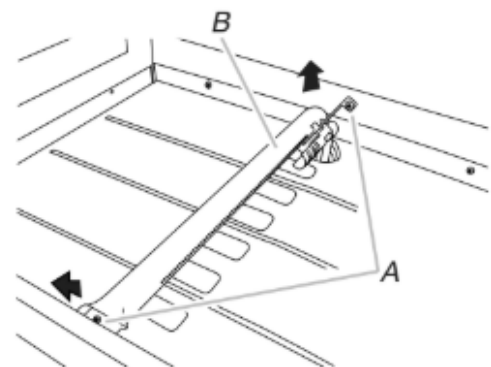
- A. Screws
- B. Oven bottom

- Remove 2 screws from the front tabs of the flame spreader. Lift front of the flame spreader and pull forward to remove tabs from rear of oven and set it aside on a covered surface.



- A. Screws
- B. Flame spreader

- Remove 2 screws from the bake burner.
- Slide the front of the bake burner to the side to remove tab from front of oven. Lift the back of the bake burner off the oven orifice, and set the bake burner aside.

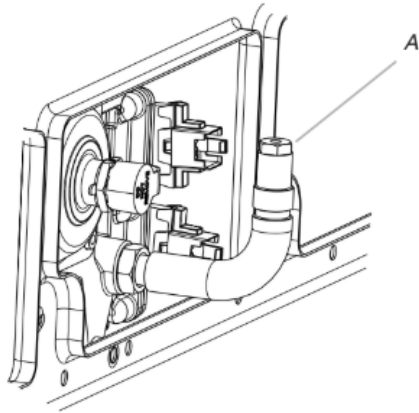


- A. Screws
- B. Bake burner

- Use a 3/8" (1 cm) nut driver or combination wrench and turn the Propane gas bake burner orifice spud counterclockwise to remove. The spud will be stamped with a "57."

- Replace the "57" spud with a "49" spud. Install the Natural gas bake burner orifice spud, turning it clockwise until snug.

IMPORTANT: Do not overtighten.



A. Orifice spud

- Position the back of the bake burner over the oven orifice, and slide the tab on front of the bake burner into the front of the oven.
- Reattach the bake burner with 2 screws.
- Insert the tabs on the rear of the flame spreader into the rear of the oven.
- Reattach the front tabs of the flame spreader to the oven with 2 screws.
- Position the front of the oven bottom panel toward the front frame and lower the rear of the oven bottom panel into the oven.
- Reattach the oven bottom panel with 2 screws.

Complete Installation (Propane Gas to Natural Gas)

- Refer to the "Make Gas Connection" section for properly connecting the range to the gas supply.
- Refer to the "Electronic Ignition System" section for proper burner ignition, operation and burner flame adjustments.

IMPORTANT: You may have to adjust the "LO" setting for each cooktop burner.

Checking for proper cooktop, bake burner flame is very important. Natural gas flames do not have yellow tips.

- Refer to "Complete Installation" in the "Installation Instructions" section of this manual to complete this procedure.

NOTE: Make sure to save the orifices that have just been replaced in the conversion.

Moving the Range

⚠ WARNING



Tip Over Hazard

A child or adult can tip the range and be killed.

Install anti-tip bracket to floor or wall per installation instructions.

Slide range back so rear range foot is engaged in the slot of the anti-tip bracket.

Re-engage anti-tip bracket if range is moved.

Do not operate range without anti-tip bracket installed and engaged.

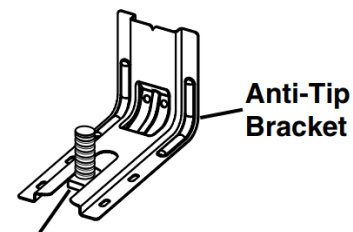
Failure to follow these instructions can result in death or serious burns to children and adults.

When moving range, slide range onto cardboard or hardboard to avoid damaging the floor covering.

If removing the range is necessary for cleaning or maintenance:

For power supply cord-connected ranges:

- Slide range forward.
- Turn manual shutoff valve to the closed position.
- Unplug the power supply cord.
- Disconnect the gas supply tubing.
- Complete cleaning or maintenance.
- Reconnect the gas supply tubing.
- Open the manual shutoff valve in the gas supply line.
- Plug in power supply cord.
- Slide range back so rear range foot is under anti-tip bracket.



Range Foot

- Refer to the "Verify Anti-Tip Bracket Is Installed and Engaged" section to verify engagement.
- Check that range is level.

SÉCURITÉ DE LA CUISINIÈRE

AVERTISSEMENT : Le non-respect à la lettre de ces instructions peut causer un incendie ou une explosion, qui pourrait entraîner des dommages matériels, des blessures ou la mort.

- Ne pas remiser de l'essence ou tout autre liquide ou vapeur inflammable à proximité de cet appareil ou de tout autre appareil.
- **QUE FAIRE EN CAS DE DÉTECTION D'UNE ODEUR DE GAZ**
 - Ne pas tenter d'allumer un quelconque appareil.
 - Ne toucher aucun interrupteur électrique.
 - N'utiliser aucun téléphone dans votre immeuble.
 - Appeler immédiatement le fournisseur de gaz à partir d'un poste téléphonique voisin. Suivre les instructions du fournisseur de gaz.
 - Si le fournisseur de gaz n'est pas joignable, appeler les pompiers.
- L'installation et la réparation doivent être effectuées par un installateur ou une entreprise de réparation ayant les qualifications requises ou par le fournisseur de gaz.

 **AVERTISSEMENT :**

Ne jamais faire fonctionner la surface de cuisson de la partie supérieure de cet appareil sans surveillance.

- Ne pas respecter cet énoncé de mise en garde peut provoquer un risque d'incendie, d'explosion ou de brûlure pouvant causer des dommages à la propriété, des blessures ou un décès.
- Si un incendie se produit, rester à distance de l'appareil et appeler immédiatement les pompiers.

NE PAS TENTER D'ÉTEINDRE UN FEU D'HUILE OU DE GRAISSE AVEC DE L'EAU.

La cuisinière ne basculera pas pendant une utilisation normale. Cependant, la cuisinière peut basculer, si vous appliquez trop de force ou de poids à la porte de la cuisinière, sans avoir adéquatement fixé le pied antibasculément.

⚠ AVERTISSEMENT

Risque de basculement

Une personne, enfant ou adulte, peut faire basculer la cuisinière et subir des blessures mortelles.

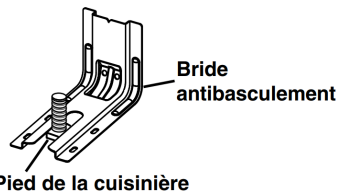
Fixer la bride antibasculément au plancher ou au mur, conformément aux instructions d'installation.

Faire glisser de nouveau la cuisinière de façon à ce que le pied arrière de la cuisinière se trouve dans la fente de la bride antibasculément.

Réengager la bride antibasculément si la cuisinière a été déplacée.

Ne pas faire fonctionner la cuisinière si la bride antibasculément n'est pas installée et engagée.

Le non-respect de ces instructions peut causer un décès ou des brûlures graves aux enfants et aux adultes.



Bride antibasculément

Pied de la cuisinière

Pour vérifier que la bride antibasculément est bien installée et engagée :

- Faire glisser la cuisinière vers l'avant.
- Vérifier que la bride antibasculément est bien fixée au plancher ou au mur.
- Faire glisser de nouveau la cuisinière de façon à ce que le pied arrière de la cuisinière se trouve sous la bride antibasculément.
- Voir les directives d'installation pour obtenir de plus amples renseignements.

AVERTISSEMENT : Les fuites de gaz ne peuvent pas toujours être détectées à l'odorat.

Les fournisseurs de gaz recommandent d'utiliser un détecteur de gaz approuvé UL ou CSA.

Pour plus d'informations, contacter votre fournisseur de gaz.

Si une fuite de gaz est détectée, suivre les instructions de la section « Que faire en cas de détection d'une odeur de gaz ».

Votre sécurité et celle des autres sont très importantes.

Nous donnons de nombreux messages de sécurité importants dans ce manuel et sur votre appareil. Assurez-vous de toujours lire tous les messages de sécurité et de vous y conformer.



Voici le symbole d'alerte de sécurité.

Ce symbole d'alerte de sécurité vous signale les dangers potentiels de décès et de blessures graves.

Tous les messages de sécurité suivront le symbole d'alerte de sécurité et le mot « DANGER » ou « AVERTISSEMENT ». Ces mots signifient :

⚠ DANGER

Risque possible de décès ou de blessure grave si vous ne suivez pas immédiatement les instructions.

⚠ AVERTISSEMENT

Risque possible de décès ou de blessure grave si vous ne suivez pas les instructions.

Tous les messages de sécurité vous diront quel est le danger potentiel, comment réduire le risque de blessure et ce qui peut se produire en cas de non-respect des instructions.

IMPORTANT : Ne pas installer un système de ventilation avec évacuation de l'air vers le bas, qui évacuerait l'air vers cet appareil de cuisson à gaz. Ce type de système de ventilation peut causer des problèmes d'allumage et de combustion avec cet appareil de cuisson et entraîner des blessures corporelles ou le fonctionnement non désiré de cet appareil.

Dans l'État du Massachusetts, les instructions d'installation suivantes sont applicables :

- Les travaux d'installation et réparation doivent être exécutés par un plombier ou monteur d'installations au gaz qualifié ou licencié, ou par le personnel qualifié d'une entreprise licenciée par l'État du Massachusetts.
- Dispositifs de fermeture acceptables : Les robinets de gaz et robinets à bille installés pour l'utilisation doivent être indiqués.
- Si un raccord flexible de gaz est utilisé, il ne doit pas dépasser 4 pi (121,9 cm).

INSTRUCTIONS IMPORTANTES DE SÉCURITÉ

AVERTISSEMENT : Afin de réduire le risque d'incendie, de décharge électrique ou de blessures lors de l'utilisation de l'appareil, il convient d'observer certaines précautions fondamentales, notamment :

- **AVERTISSEMENT** : POUR RÉDUIRE LES RISQUES DE BASCULEMENT DE LA CUISINIÈRE, LA CUISINIÈRE DOIT ÊTRE FIXÉE EN INSTALLANT CORRECTEMENT LE DISPOSITIF ANTIBASCULEMENT. POUR VÉRIFIER SI LES APPAREILS SONT BIEN INSTALLÉS, FAIRE GLISSER DE NOUVEAU LA CUISINIÈRE VERS L'AVANT, S'ASSURER QUE LE DISPOSITIF ANTIBASCULEMENT EST BIEN FIXÉ AU MUR OU AU PLANCHER, PUIS FAIRE GLISSER LA CUISINIÈRE VERS L'ARRIÈRE DE FAÇON À CE QUE LE PIED ARRIÈRE DE LA CUISINIÈRE SE TROUVE SOUS LA BRIDE ANTIBASCULEMENT.
- **AVERTISSEMENT**
NE JAMAIS utiliser cet appareil comme dispositif de chauffage de la pièce. Le non-respect de cette instruction peut entraîner une intoxication au monoxyde de carbone et une surchauffe du four.
- **AVERTISSEMENT**
NE JAMAIS couvrir les fentes, trous ou passages d'air au fond du four ou couvrir entièrement une grille avec des matériaux tels que du papier d'aluminium. Le non-respect de cette instruction empêche la circulation de l'air dans le four et peut entraîner une intoxication au monoxyde de carbone. Les feuilles de papier d'aluminium peuvent également retenir la chaleur et créer un risque d'incendie.
- **MISE EN GARDE** : Ne pas entreposer de produits d'intérêt pour les enfants dans les armoires au-dessus d'un appareil ou sur le dossier d'un appareil – Les enfants grim pant sur l'appareil pour atteindre ces objets pourraient gravement se blesser.
- Ne pas laisser les enfants seuls – Les enfants ne doivent pas être laissés seuls ou sans surveillance dans la zone où l'appareil est utilisé. Ils ne doivent jamais être autorisés à s'asseoir ou à se tenir debout sur une partie quelconque de l'appareil.
- Porter des vêtements adaptés – Les vêtements pendants ou non ajustés ne doivent jamais être portés lorsqu'on utilise l'appareil.
- Ne pas utiliser d'eau sur les feux de friture – Éteindre le feu ou la flamme ou utiliser un extincteur avec agent chimique sec ou moussé.
- Entreposage dans ou sur l'appareil – Les matières inflammables ne doivent pas être entreposées dans un four ou près de la surface de la table.
- Cet appareil n'est pas conçu pour servir d'espace de rangement.
- Entretien par l'utilisateur – Ne pas réparer ou remplacer une quelconque pièce de l'appareil sans recommandation spécifique du manuel. Toutes les autres tâches d'entretien doivent être effectuées par un technicien qualifié.
- Utiliser uniquement des mitaines sèches – Les mitaines humides ou trempées sur les surfaces chaudes peuvent provoquer des brûlures dues à la vapeur. Ne pas laisser les mitaines toucher des éléments chauffants et chauds. Ne pas utiliser un chiffon ou tout autre tissu encombrant.
- Ne jamais laisser les surfaces de cuisson sans surveillance à des réglages de chaleur élevée – Les ébullitions provoquent de la fumée et des éclaboussures graisseuses qui peuvent s'enflammer.
- Ustensiles de cuisson émaillés – seuls certains types d'ustensiles en verre, vitrocéramique, céramique, terre cuite ou autre émailage peuvent être utilisés sur la surface de la cuisinière sans briser en raison du changement de température soudain.
- Les poignées des ustensiles doivent être tournées vers l'intérieur et ne doivent pas dépasser au-dessus des unités de surface de cuisson – Pour éviter le risque de brûlures, d'inflammation des matières inflammables et d'éclaboussures dues à un contact non intentionnel avec l'ustensile, la poignée d'un ustensile doit toujours être positionnée vers l'intérieur et ne doit pas dépasser au-dessus des surfaces de cuisson adjacentes.
- Déconnecter la source de courant électrique avant l'entretien.
- Cet appareil est équipé d'une fiche de mise à la terre à trois broches pour votre protection contre les décharges électriques et doit être branché directement à une prise correctement mise à la terre. Ne coupez pas ou n'enlevez pas la broche de mise à la terre de la fiche.
- Bonne installation – l'appareil, lorsqu'il est installé, doit être relié à la terre conformément aux codes locaux, ou en l'absence de codes locaux, au *National Electrical Code, ANSI/NFPA 70* ou au *Code canadien de l'électricité CSA C22.1-02*. Au Canada, l'appareil doit être relié à la terre en respectant le Code canadien de l'électricité. S'assurer que l'appareil est bien installé et que la mise à la terre est réalisée par un technicien qualifié.
- Des blessures peuvent résulter d'un mauvais usage des portes ou tiroirs de l'appareil – par exemple marcher, s'appuyer ou s'asseoir sur les portes ou tiroirs.
- Entretien – Maintenir la zone de la cuisinière à l'abri des matériaux combustibles, essence ou autres vapeurs ou liquides inflammables.

CONSERVER CES INSTRUCTIONS

INSTRUCTIONS IMPORTANTES DE SÉCURITÉ

- La taille de la flamme du brûleur supérieur doit être ajustée de façon à ne pas dépasser du bord de l'ustensile de cuisson. Cette instruction est basée sur des considérations de sécurité.
 - Ne pas utiliser de pièces de remplacement qui n'ont pas été recommandées par le fabricant (c.-à-d., pièces fabriquées à la maison à l'aide d'une imprimante 3D).
 - Nettoyer la table de cuisson avec précaution – Si une éponge ou un linge humide est utilisé pour nettoyer les éclaboussures sur une zone de cuisson chaude, faire attention aux brûlures dues à la vapeur. Certains nettoyants peuvent produire des fumées toxiques si appliqués sur une surface chaude.
 - Ouvrir la porte lentement – Laisser la chaleur ou la vapeur s'échapper avant de retirer ou de remettre en place un plat.
 - Ne pas faire chauffer un contenant qui n'a pas été ouvert – L'accumulation de pression pourrait faire éclater le contenant et causer des blessures.
 - Garder dégagés les conduits de ventilation du four.
 - **NE PAS TOUCHER LES ÉLÉMENTS CHAUFFANTS OU LES SURFACES INTÉRIEURES DU FOUR** – Les éléments chauffants peuvent être chauds même s'ils sont de couleur foncée. Les surfaces intérieures du four peuvent être suffisamment chaudes pour provoquer des brûlures. Pendant et après l'utilisation, ne pas toucher ou laisser des vêtements ou d'autres matériaux inflammables en contact avec les éléments chauffants ou les surfaces intérieures tant qu'ils n'ont pas suffisamment refroidi. Les autres surfaces de l'appareil peuvent devenir suffisamment chaudes pour causer des brûlures – les ouvertures de ventilation et les surfaces autour de ces ouvertures, les portes du four et les hublots de portes font partie de ces surfaces.
 - Il faut faire attention de ne pas laisser le papier aluminium et la sonde de cuisson entrer en contact avec les éléments chauffants.
- Pour les cuisinières autonettoyantes –**
- **MISE EN GARDE : NE PAS LAISSER D'ALIMENTS, D'USTENSILES DE CUISSON, ETC. DANS LE FOUR PENDANT L'UTILISATION DU MODE DE NETTOYAGE PYROLYTIC.**
 - Ne pas nettoyer le joint de la porte – Le joint de la porte est essentiel pour une bonne étanchéité. Faire attention à ne pas frotter, endommager ou déplacer le joint.
 - Ne pas utiliser de nettoyants à four – Aucun nettoyant commercial ou revêtement de protection pour four d'aucune sorte ne devrait être utilisé dans le four ou près de ses parties.
 - Ne nettoyer que les pièces indiquées dans le manuel.
 - Avant de mettre en marche l'autonettoyage – Enlever la lèchefrite et les autres ustensiles. Essuyer tout excès de renversement avant de commencer un programme de nettoyage.
- Pour les appareils avec hotte de ventilation –**
- Nettoyer régulièrement les hottes de ventilation – Ne pas laisser la graisse s'accumuler dans la hotte ou le filtre.
 - Lorsque des aliments sont flambés sous la hotte, mettre le ventilateur en marche.
- Pour les cuisinières et fours intelligents**
- Utilisation à distance – cet appareil peut être configuré pour permettre l'utilisation à distance en tout temps. Ne pas ranger de matériaux inflammables ou sensibles à la température sur le dessus ou près de la surface de l'appareil.

CONSERVER CES INSTRUCTIONS

ENTRETIEN ET RÉPARATION DE LA CUISINIÈRE

Nettoyage général

IMPORTANT : Avant le nettoyage, s'assurer que toutes les commandes sont éteintes et que le four et la table de cuisson sont froids. Toujours suivre les instructions figurant sur les étiquettes des produits de nettoyage.

L'usage de savon, d'eau et d'un chiffon doux ou d'une éponge est suggéré en priorité, sauf indication contraire.

SURFACES EN ÉMAIL VITRIFIÉ UNIQUEMENT (sur certains modèles)

Les éclaboussures alimentaires acides, telles que vinaigre et tomate, doivent être nettoyées dès que la cuisinière a refroidi. Ces salissures peuvent endommager le fini.

Méthode de nettoyage :

- Nettoyant à vitre, nettoyant doux liquide ou tampon à récurer non abrasif : Nettoyer délicatement autour de la plaque signalétique, car le frottement pourrait en effacer les chiffres.
- Affresh®† pour cuisine et appareils ménagers – numéro de pièce W10355010 (vendu séparément) : Consulter le Guide de démarrage rapide pour les informations de commande.

ACIER INOXYDABLE (sur certains modèles)

REMARQUE : Afin d'éviter d'endommager les surfaces en acier inoxydable, ne pas utiliser de tampons à récurer savonneux, de nettoyants abrasifs, de crème à polir pour table de cuisson, de tampons en laine d'acier, de chiffons de lavage rêches ou d'essuie-tout abrasifs. Ils peuvent endommager les surfaces en acier inoxydable, même après une seule ou quelques applications.

Méthode de nettoyage :

- Frotter dans la direction du grain pour éviter les dommages.
- Nettoyant affresh® pour acier inoxydable – numéro de pièce W10355016 (vendu séparément) : Consulter le Guide de démarrage rapide pour les informations de commande.

PEINTURE MÉTALLIQUE (sur certains modèles)

Ne pas utiliser de nettoyants abrasifs, de nettoyants avec agent de blanchiment, de produits antirouille, d'ammoniaque ou d'hydroxyde de sodium (soude), car la surface peinte pourrait se tacher.

GRILLES ET CHAPEAUX ÉMAILLÉS

Les renversements d'aliments contenant des produits acides, tels que vinaigre et tomates, doivent être nettoyés dès que la table de cuisson, les grilles et les chapeaux ont refroidi. Ces salissures peuvent endommager le fini.

Pour éviter l'écaillage, ne pas entrechoquer les grilles et les chapeaux ni les frapper contre des surfaces dures telles que les ustensiles en fonte.

Ne pas réinstaller les chapeaux sur les brûleurs lorsqu'ils sont mouillés. Ne pas utiliser le programme d'autonettoyage pour les nettoyer.

Méthode de nettoyage :

- Ustensile de récurage en plastique non abrasif et nettoyant légèrement abrasif : Nettoyer dès que la table de cuisson, les grilles et les chapeaux ont refroidi.
- Lave-vaisselle (les grilles seulement et non les chapeaux) : Utiliser le programme le plus intense. Les saletés cuites doivent être trempées ou frottées avant d'être placées au lave-vaisselle. Bien que les grilles de brûleurs soient durables, elles perdront progressivement de leur lustre et (ou) se décoloreront lorsqu'on les lave au lave-vaisselle.
- Nettoyant pour grille et plateau d'égouttement pour installation à gaz – Pièce n° 31617 (non fournie) : Consulter le Guide de démarrage rapide pour les informations de commande.

BRÛLEURS DE SURFACE

Les renversements d'aliments contenant des produits acides, tels que vinaigre et tomates, doivent être nettoyés dès que la table de cuisson, les grilles et les chapeaux ont refroidi. Ces salissures peuvent endommager le fini.

Pour éviter l'écaillage, ne pas entrechoquer les grilles et les chapeaux ni les frapper contre des surfaces dures telles que les ustensiles en fonte.

Ne pas réinstaller les chapeaux sur les brûleurs lorsqu'ils sont mouillés.

Ne pas utiliser le programme d'autonettoyage pour les nettoyer.

Ne pas nettoyer au lave-vaisselle.

Méthode de nettoyage :

- Ustensile de récurage en plastique non abrasif et nettoyant légèrement abrasif : Nettoyer dès que la table de cuisson, les grilles, les brûleurs et les chapeaux ont refroidi.
- Nettoyant pour plateau d'égouttement et grille de cuisinière à gaz (non fourni).

COMMANDES DE LA TABLE DE CUISSON

Afin d'éviter d'endommager les commandes de la table de cuisson, ne pas utiliser de laine d'acier, de nettoyants abrasifs ou de nettoyant pour four.

Afin d'éviter toute détérioration, ne pas laisser tremper les boutons de commande. Lors de la réinstallation des boutons, s'assurer que chaque bouton est à la position Off (arrêt).

Sur certains modèles, ne pas enlever les joints sous les boutons.

Méthode de nettoyage :

- Savon et eau : Tirer les boutons directement hors du tableau de commande pour les enlever.

TABLEAU DE COMMANDE ET EXTÉRIEUR DE LA PORTE DU FOUR

Afin d'éviter d'endommager le tableau de commande, ne pas utiliser de nettoyants abrasifs, de tampons en laine d'acier, de chiffons de lavage rêches ou d'essuie-tout abrasifs.

Méthode de nettoyage :

- Nettoyant à vitre et chiffon doux ou éponge : Appliquer le nettoyant à vitre sur un chiffon doux ou une éponge et non directement sur le tableau.
- Affresh® pour cuisine et appareils ménagers – numéro de pièce W10355010 (vendu séparément) : Consulter le Guide de démarrage rapide pour les informations de commande.

†affresh® est une marque déposée de Whirlpool, É.-U.

GRILLES DU FOUR

Méthode de nettoyage :

- Tampon en laine d'acier.
- Pour les grilles ternies qui glissent difficilement, enduire légèrement les glissières d'huile végétale; cela facilitera leur glissement.
- Lave-vaisselle (réservoir d'eau de la grille d'étuvage uniquement; la grille d'étuvage n'est pas lavable au lave-vaisselle) : Bien que le réservoir soit durable, il perdra progressivement de son lustre et/ou se décolorera lorsqu'on le lave au lave-vaisselle.

TIROIR DE REMISAGE (sur certains modèles)

S'assurer que le tiroir est froid et vide avant le nettoyage.

Méthode de nettoyage :

- Détergent doux

CAVITÉ DU FOUR

Ne pas utiliser de nettoyants à four.

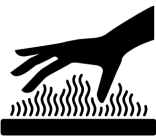
Les éclaboussures alimentaires doivent être nettoyées lorsque le four a refroidi. À des températures élevées, les aliments réagissent avec la porcelaine. Cette réaction peut causer des taches, des attaques, des piqûres ou de légères taches blanches.

Méthode de nettoyage :

- Programme d'autonettoyage : Consulter d'abord les sections « Programme d'autonettoyage » ou « Programme de nettoyage ».

Programme d'autonettoyage

⚠ WARNING



Risque de brûlures

Ne pas toucher le four au cours du programme d'autonettoyage.

Garder les enfants loin du four au cours du programme d'autonettoyage.

Le non-respect de ces instructions peut causer des brûlures.

IMPORTANT : La santé de certains oiseaux est très sensible aux émanations qui surviennent durant le programme d'autonettoyage. L'exposition aux émanations peut entraîner la mort de certains oiseaux. Toujours déplacer les oiseaux dans une autre pièce fermée et bien aérée.

Veiller à ce que la cuisine soit bien aérée pendant le programme d'autonettoyage afin d'aider à éliminer la chaleur, les odeurs et la fumée.

Ne pas obstruer le ou les événements du four durant le programme d'autonettoyage. L'air doit pouvoir circuler librement. Selon le modèle, voir la section « Événement du four » ou « Événements du four » du guide de démarrage rapide.

Ne pas nettoyer, frotter, endommager ou déplacer le joint d'étanchéité de la porte du four.

Préparation de la cuisinière

- Sortir du four la lèchefrite, la grille, les ustensiles de cuisson au four et de rôtissage, les grilles du four, le papier d'aluminium et sur certains modèles, la sonde thermométrique.
- Utiliser un chiffon humide pour nettoyer l'intérieur de la porte et une zone de 1 1/2 po (3,8 cm) sur le pourtour du cadre de la cavité du four, en prenant soin de ne pas déplacer ni plier le joint d'étanchéité.
- Essuyer toute saleté décollée afin de réduire la fumée et d'éviter les dommages. À des températures élevées, les aliments réagissent avec la porcelaine. Cette réaction peut causer des taches, des attaques, des piqûres ou de légères taches blanches. Ceci n'affectera pas la performance de cuisson.
- Enlever les articles de plastique de la table de cuisson, car ils peuvent fondre.
- Enlever tous les articles du tiroir de remisage.

Comment fonctionne le programme

IMPORTANT : Le chauffage et le refroidissement de la porcelaine sur l'acier dans le four peuvent causer une décoloration, une perte de lustre, des fissures minuscules et des craquements.

Avant l'autonettoyage, s'assurer que la porte est complètement fermée sinon elle ne se verrouillera pas et le programme d'autonettoyage ne commencera pas.

Le programme d'autonettoyage utilise des températures très élevées, brûlant les saletés pour les réduire en cendre.

Lorsque le four a complètement refroidi, retirer la cendre avec un chiffon humide. Afin d'éviter de briser le verre, ne pas appliquer de chiffon humide et froid sur la partie interne du hublot de la porte avant qu'il n'ait complètement refroidi.

Pour arrêter le programme d'autonettoyage à tout moment, appuyer sur la touche Cancel (annulation). Si la température est trop élevée, la porte du four reste verrouillée et « cool » (refroidissement) et « locked » (verrouillé) s'affichent. Le ventilateur de refroidissement peut continuer à fonctionner.

Tant que le témoin « DOOR LOCK » (porte verrouillée) est affiché, il est impossible d'ouvrir les portes du four. Pour éviter d'endommager la porte, ne pas forcer l'ouverture tant que le témoin « DOOR LOCKED » (porte verrouillée) est affiché.

Une fois la température de nettoyage atteinte, la commande électronique nécessite un délai de 12 heures avant qu'un autre programme d'autonettoyage puisse être lancé.

La lampe du four ne fonctionne pas durant le programme d'autonettoyage.

Commande électronique de four avec temps de nettoyage réglable (sur certains modèles)

La durée du programme d'autonettoyage est réglable entre 2 h 30 et 4 h 30 par tranches de 15 ou 30 minutes. Les durées de nettoyage suggérées sont de 2 h 30 pour des saletés légères et de 4 h 30 pour des saletés abondantes. Pendant les 30 dernières minutes du programme, le four refroidit.

Pour utiliser l'autonettoyage :

1. Appuyer sur SELF CLEAN (autonettoyage).
2. Appuyer sur la touche « + » ou « - » de Temp/Time (température/durée) pour entrer la durée du programme d'autonettoyage désirée.
3. Appuyer sur START (mise en marche).

La porte du four se verrouille automatiquement. Les témoins lumineux DOOR LOCKED (porte verrouillée) et CLEAN (propre) s'allument. La durée résiduelle est également affichée.

- Lorsque le programme d'autonettoyage est terminé et que le four est froid, les témoins lumineux DOOR LOCKED (porte verrouillée) et CLEAN (propre) s'éteignent.
- Lorsque le four a complètement refroidi, retirer la cendre avec un chiffon humide.
Pour quitter le programme d'autonettoyage avant la fin, appuyer sur CANCEL (annulation). La porte se déverrouille dès que le four est froid.

INSTRUCTIONS D'INSTALLATION

SPÉCIFICATIONS

Outils et pièces

Rassembler les outils et pièces nécessaires avant d'entreprendre l'installation. Lire et observer les instructions fournies avec chacun des outils de la liste ci-dessous.

Outils nécessaires

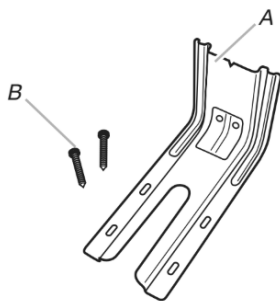
- Ruban à mesurer
- Tournevis à tête plate
- Tournevis à tête cruciforme
- Tournevis à tête plate de 1/8 po (3,2 mm)
- Niveau
- Perceuse manuelle ou électrique
- Marteau
- Clé ou pince
- Clé à tuyauterie
- Clé mixte de 15/16 po
- Clé à cliquet de 1/4 po
- Tourne-écrou de 3/8 po
- Mèche de 1/8 po (3,2 mm) (pour planchers en bois)
- Marqueur ou crayon
- Composé d'étanchéité des raccords filetés résistant au gaz propane
- Solution non corrosive de détection des fuites
- Mèche à maçonnerie à pointe carburée de 3/16 po (4,8 mm) (pour planchers en béton/céramique) (Pour les cuisinières avec commandes encastrées/à l'avant)

Pour les conversions gaz propane/naturel

- Clé mixte de 3/8 po
- Clé mixte de 1/2 po
- Clé mixte de 5/8 po
- Tourne-écrou de 5/16 po
- Tournevis Quadrex®† ou tournevis cruciforme
- Ruban adhésif de masquage
- Tourne-écrou de 3/8 po (Pour les cuisinières avec commandes encastrées/à l'avant)

Pièces fournies

Vérifier que toutes les pièces sont présentes.



A. Bride antibasculement
B. Vis no 12 x 1 5/8 po (4,1 cm) (2)

La bride antibasculement doit être bien fixée au plancher ou au mur. La profondeur du plancher peut nécessiter des vis plus longues pour l'ancrage de la bride dans le plancher.

Pièces nécessaires

Vérifier les codes locaux et consulter le fournisseur de gaz. Vérifier l'alimentation en gaz et l'alimentation électrique existantes. Voir les sections « Spécifications électriques » et « Spécifications de l'alimentation en gaz ».

REMARQUE : S'assurer d'acheter uniquement des pièces et des accessoires Whirlpool certifiés par le fabricant de l'appareil. Il se peut que l'installation nécessite des pièces supplémentaires. Pour commander, consulter les coordonnées indiquées dans le guide de démarrage rapide.

Exigences d'emplacement

IMPORTANT : Observer les dispositions de tous les codes et règlements en vigueur. Ne pas obstruer le flux de combustion et de ventilation.

- C'est à l'installateur qu'incombe la responsabilité de respecter les distances de séparation spécifiées sur la plaque signalétique. La plaque signalétique se trouve derrière la porte du four, dans le coin supérieur droit/gauche du châssis.
- La cuisinière doit être installée à un endroit pratique dans la cuisine.
- Dans le cas d'une cuisinière encastrée, l'enceinte doit recouvrir complètement les côtés et l'arrière de la cuisinière.
- Toutes les ouvertures dans le mur ou le plancher de l'emplacement d'installation de la cuisinière doivent être scellées.
- Respecter les dimensions indiquées pour les ouvertures à découper dans les armoires. Ces dimensions constituent les valeurs minimales des dégagements.
- La bride antibasculement doit être installée. Pour l'installation de la bride antibasculement fournie avec la cuisinière, voir la section « Installation de la bride antibasculement ».
- Une source d'électricité avec liaison à la terre est nécessaire. Voir la section « Spécifications électriques ».
- Un raccordement adéquat à l'alimentation en gaz doit être disponible. Voir la section « Spécifications de l'alimentation en gaz ».
- Contacter un installateur de revêtement de sol qualifié, qui pourra déterminer si le revêtement de sol peut résister à une température d'au moins 200 °F (93 °C).
- Dans le cas de l'installation de la cuisinière sur une moquette, placer sous la cuisinière un tapis isolant ou une plaque de contreplaqué de 1/4 po (6,4 mm).

IMPORTANT : Pour éviter d'endommager les armoires, consulter le constructeur de la maison ou le fabricant des armoires pour déterminer si les matériaux utilisés peuvent subir un changement de couleur, une déstratification ou d'autres dommages. Ce four a été conçu conformément aux exigences des normes UL et CSA International et respecte les températures maximales permises de 194 °F (90 °C) pour les armoires en bois.

Résidence mobile – Spécifications supplémentaires à respecter lors de l'installation

L'installation de cette cuisinière doit s'effectuer conformément à la norme Manufactured Home Construction Safety Standards, Title 24 CFR, Part 3280 (anciennement Federal Standard for Mobile Home Construction and Safety, title 24, HUD, Part 280). Lorsque cette norme n'est pas applicable, utiliser la norme Standard for Manufactured Home Installations, ANSI A225.1/NFPA 501A ou les dispositions des codes locaux. Au Canada, l'installation de cette cuisinière doit satisfaire aux stipulations de la version la plus récente de la norme CAN/CSA-Z240.1, ou des codes locaux en vigueur.

†Quadrex® est une marque enregistrée de NLW Holdings, Inc.

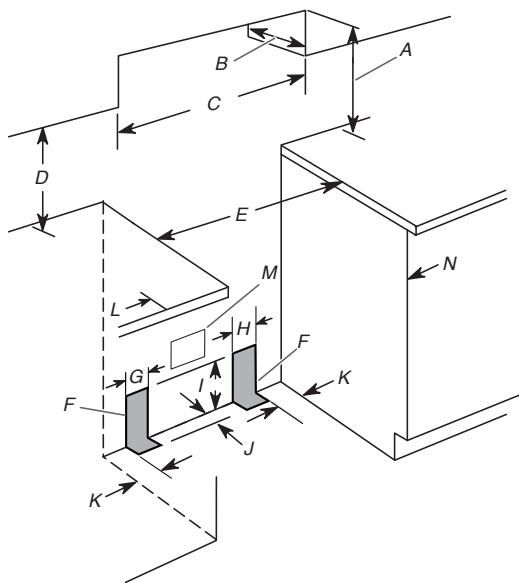
Autres critères à respecter pour une installation en résidence mobile :

- Lorsque cette cuisinière est installée dans une maison mobile, elle doit être fixée selon les instructions de ce document. Toute méthode pour fixer de façon sécuritaire la cuisinière est adéquate dès qu'elle respecte les normes mentionnées plus haut.

Dimensions de l'armoire

Les dimensions de l'espace entre les armoires correspondent à une installation entre des armoires de 24 po (61,0 cm) de profondeur, avec comptoir de 25 po (64,0 cm) de profondeur et de 36 po (91,4 cm) de hauteur.

IMPORTANT : En cas d'installation d'une hotte ou d'un ensemble hotte/micro-ondes au-dessus de la surface de cuisson, suivre les instructions fournies avec la hotte ou l'ensemble hotte/micro-ondes concernant les dimensions de dégagement à respecter au-dessus de la surface de la table de cuisson.



- A. Pour le dégagement minimum vers la partie supérieure de la table de cuisson, voir la REMARQUE*.
- B. 13 po (33 cm) max de profondeur de l'armoire supérieure
- C. 30 po (76,2 cm) minimum de largeur d'ouverture
- D. 18 po (45,7 cm) entre l'armoire latérale supérieure et le comptoir
- E. 30 po (76,2 cm) minimum de largeur d'ouverture
- F. Il est recommandé d'effectuer l'installation de la canalisation de gaz rigide dans les zones grisées.
- G. 4 1/2 po (11,4 cm)
- H. 8 po (20,3 cm)
- I. 17 po (43,2 cm)
- J. 2 po (5,1 cm)
- K. 4 1/2 po (11,4 cm)
- L. 3 po (7,6 cm) min de dégagement entre les deux côtés de la cuisinière et les parois latérales ou d'autres matériaux combustibles.
- M. Prise reliée à la terre
- N. La porte ou les charnières de l'armoire ne doivent pas dépasser à l'intérieur de l'ouverture.

***REMARQUE :** Distance de séparation de 24 po (61,0 cm) ou plus lorsque le fond d'une armoire de bois ou de métal est protégé d'une planche ignifugée d'au moins 1/4 po (6,35 mm) recouverte d'une feuille métallique d'épaisseur égale ou supérieure à : acier calibre 28 MSG, acier inoxydable 0,015 po (0,4 mm), aluminium 0,024 po (0,6 mm) ou cuivre 0,020 po (0,5 mm). Distance de séparation minimale de 30 po (76,2 cm) ou plus entre le dessus de la table de cuisson et le fond d'une armoire de bois ou de métal non protégée.

Spécifications électriques

⚠ AVERTISSEMENT



Risque de décharge électrique

Brancher l'appareil sur une prise à 3 alvéoles reliée à la terre.

Ne pas enlever la prise de liaison à la terre.

Ne pas utiliser d'adaptateur.

Ne pas utiliser de rallonge.

Le non-respect de ces instructions peut causer un décès, un incendie ou une décharge électrique.

IMPORTANT : La cuisinière doit être reliée à la terre en conformité avec les codes et règlements locaux en vigueur, ou en l'absence de codes locaux, avec le National Electrical Code, ANSI/NFPA 70 ou le Code canadien des installations électriques, CSA C22.1.

Cette cuisinière est dotée d'un système d'allumage électronique qui ne fonctionnera pas en cas de branchement dans une prise qui n'est pas correctement polarisée.

Si on utilise un conducteur distinct de mise à la terre lorsque les codes le permettent, il est recommandé qu'un électricien qualifié vérifie que la mise à la terre est adéquate.

Pour obtenir un exemplaire des normes des codes ci-dessus, contacter :

National Fire Protection Association
1 Batterymarch Park
Quincy, MA 02169-7471

CSA International
8501 East Pleasant Valley Road
Cleveland, OH 44131-5575

- L'appareil doit être alimenté par un circuit triphasé mis à la terre de 120 V CA à 60 Hz seulement et protégé par fusible de 15 A. On recommande également d'utiliser un fusible ou un disjoncteur temporisé. Il est recommandé de raccorder l'appareil sur un circuit distinct exclusif à cet appareil.
- Les systèmes d'allumage électronique fonctionnent avec des limites de tension étendues, mais une liaison à la terre correcte et une polarité appropriée sont nécessaires. Vérifier que la prise fournit une alimentation de 120 V et qu'elle est correctement reliée à la terre.
- Il n'est pas nécessaire de brancher cette cuisinière à gaz à une prise équipée d'un disjoncteur différentiel de fuite à la terre (DDFT). Il est recommandé de ne pas brancher une cuisinière à gaz ou tout autre gros appareil électroménager à allumage électrique par étincelle dans une prise murale munie d'un disjoncteur différentiel de fuite à la terre (DDFT), car ce dernier peut se déclencher lors de l'utilisation normale de l'allumeur.

- Le comportement de cette cuisinière ne change pas si elle est branchée à un circuit protégé par disjoncteur différentiel. Toutefois, le déclenchement intempestif du disjoncteur différentiel en utilisation normale peut se produire du fait de la nature des cuisinières à gaz à allumage électronique.

REMARQUE : Le châssis métallique de la cuisinière doit être relié à la terre pour que le tableau de commande puisse fonctionner. Si le châssis métallique de la cuisinière n'est pas relié à la terre, aucune touche ne fonctionne. L'utilisateur doit consulter un électricien qualifié s'il n'est pas sûr que le châssis métallique de la cuisinière est relié à la terre.

Spécifications de l'alimentation en gaz

⚠ AVERTISSEMENT



Risque d'explosion

Utiliser une canalisation neuve d'arrivée de gaz approuvée par la CSA International.

Installer un robinet d'arrêt.

Bien serrer chaque organe de connexion de la canalisation de gaz.

En cas de connexion au gaz propane, demander à une personne qualifiée de s'assurer que la pression de gaz ne dépasse pas 14 po (36 cm) dans la colonne d'eau.

Par personnel qualifié, on entend : personnel agréé de chauffage, personnel agréé d'une compagnie de gaz, et personnel d'entretien agréé.

Le non-respect de ces instructions peut causer un décès, une explosion ou un incendie.

Observer les dispositions de tous les codes et règlements en vigueur.

IMPORTANT : Cette installation doit être effectuée conformément avec les codes et règlements locaux. En l'absence de code local, l'installation doit satisfaire aux prescriptions de la plus récente édition du code national en vigueur de la National Fuel Gas Code ANSI Z223.1/NFPA 54 ou au Canada, National Gas and Propane Installation Code, CSA B149.1.

IMPORTANT : Les tests de fuite de la cuisinière doivent être effectués selon les instructions du fabricant. Consulter le point « Achever le raccordement » de la section « Raccordements au gaz » pour obtenir les instructions de test de fuite.

Type de gaz

Gaz naturel :

- Cette cuisinière a été configurée à l'usine pour l'alimentation au gaz naturel. Voir la section « Conversions pour changement de gaz ». La plaque signalétique située sur le châssis du four, derrière la porte du four indique les types de gaz utilisables. Si le type de gaz disponible n'est pas mentionné sur la plaque signalétique, consulter le fournisseur local.

Conversion pour l'alimentation au propane :

L'opération de conversion doit être exécutée par un technicien de réparation qualifié.

Ne pas entreprendre de convertir l'appareil pour une utilisation avec un gaz différent de celui indiqué sur la plaque signalétique sans d'abord consulter le fournisseur de gaz. Voir la section « Conversions pour changement de gaz ».

Canalisation d'alimentation en gaz

- Installer une canalisation de gaz rigide de 3/4 po (1,9 cm) jusqu'à l'emplacement d'installation de la cuisinière. L'emploi d'une canalisation de diamètre inférieur sur un circuit plus long peut causer une insuffisance du débit d'alimentation en gaz. Pour l'alimentation au propane, le diamètre des canalisations ou tuyaux doit être de 1/2 po (1,3 cm) minimum. En général, le fournisseur de gaz propane détermine les matériaux à utiliser et le diamètre approprié.
- **REMARQUE :** On doit utiliser un composé d'étanchéité pour tuyauteries résistant à l'action du gaz propane. Ne pas utiliser de ruban adhésif TEFLON[†].

Raccord métallique flexible pour appareil ménager :

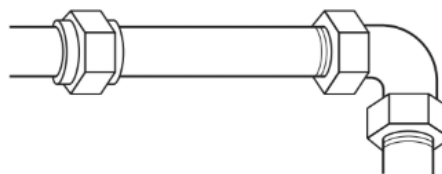
- Si les codes locaux le permettent, un nouveau raccord flexible en métal de 4 à 5 pi (122 à 152,4 cm) de long et de 1/2 po (13 mm) ou 3/4 po (19 mm) D.I. (diamètre intérieur) certifié par CSA peut être utilisé pour raccorder la cuisinière à la canalisation de gaz.



- Un raccord de tuyauterie mâle de 1/2 po (13 mm) est nécessaire pour la connexion sur le raccord à filetage femelle à l'entrée du détendeur de l'appareil.
- Ne pas déformer/écraser/endommager le tube métallique flexible lors d'un déplacement de la cuisinière.

Raccordement par un ensemble rigide :

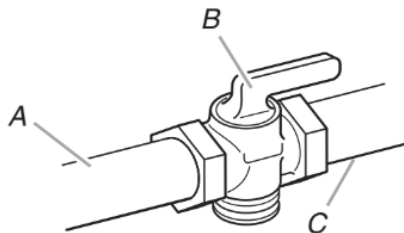
On doit utiliser une combinaison de raccords pour réaliser un raccordement rigide entre la cuisinière et la canalisation de gaz. Le tuyau rigide doit se trouver au même niveau que le raccord de connexion de la cuisinière. On doit veiller à ne soumettre les sections de canalisation d'alimentation et de combustible à aucune traction ou flexion afin que la cuisinière soit d'aplomb et correctement alignée.



†TEFLON[®] est une marque déposée de Chemours.

■ Robinet d'arrêt nécessaire :

Procéder à l'installation d'un robinet d'arrêt manuel pour la conduite de gaz dans un endroit facile d'accès. Ne pas entraver l'accès au robinet d'arrêt manuel. Le robinet d'arrêt manuel est prévu pour ouvrir ou fermer l'alimentation en gaz de la table de cuisson.



A. Conduite de gaz
B. Robinet d'arrêt en position « ouverte »
C. Vers la cuisinière

Détendeur

Le détendeur fourni avec cette cuisinière doit être utilisé. La pression d'alimentation du détendeur doit être comme suit pour un fonctionnement correct :

Gaz naturel :

Pression minimale : 5 po (12,7 cm) de colonne d'eau
Pression maximale : 14 po (35,5 cm) de colonne d'eau

Gaz propane :

Pression minimale : 11 po (27,9 cm) de colonne d'eau
Pression maximale : 14 po (35,5 cm) de colonne d'eau

En cas d'incertitude quant à la pression d'alimentation à établir, contacter le fournisseur de gaz local.

Caractéristiques d'alimentation du brûleur

Les débits thermiques indiqués sur la plaque signalétique correspondent à une altitude d'utilisation inférieure à 2 000 pi (609,6 m).

Lorsque l'appareil est utilisé à une altitude supérieure à 2 000 pi (609,6 m), on doit réduire le débit thermique indiqué de 4 % pour chaque tranche de 1 000 pi (304,8 m) au-dessus du niveau de la mer (non applicable au Canada).

Essai de pression de la canalisation de gaz

On doit tester le détendeur sous une pression supérieure d'au moins 1 po (2,5 cm) à la pression de la tubulure de distribution indiquée sur la plaque signalétique.

Mise sous pression à une pression supérieure à 1/2 lb/po² (3,5 kPa) (14 po [35,5 cm] de colonne d'eau)

Pour tout test de pressurisation du système à une pression supérieure à 1/2 lb/po² (3,5 kPa), on doit déconnecter la cuisinière et son robinet d'arrêt des canalisations d'alimentation en gaz à pressuriser.

Mise sous pression à une pression de 1/2 lb/po² (3,5 kPa) 14 po (35,5 cm) de colonne d'eau ou moins

Lors de tout test de mise sous pression de la canalisation de gaz à une pression égale ou inférieure à 1/2 lb/po² (3,5 kPa), on doit isoler la cuisinière de la canalisation de gaz par fermeture de son robinet d'arrêt manuel individuel.

INSTALLATION

Déballage de la cuisinière

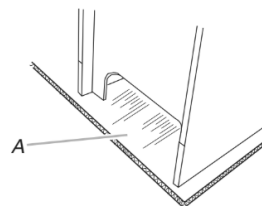
⚠ AVERTISSEMENT

Risque de poids excessif

Utiliser deux personnes ou plus pour déplacer et installer l'appareil.

Le non-respect de cette instruction peut causer une blessure au dos ou d'autres blessures.

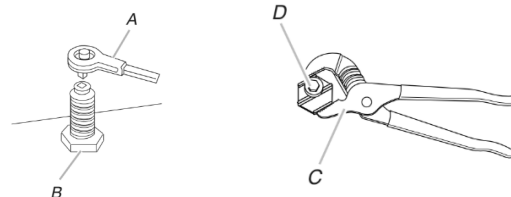
1. Ôter les matériaux d'emballage, le ruban adhésif et la pellicule protectrice de la cuisinière.
2. Retirer les grilles de four et le sachet de pièces de l'intérieur du four.
3. Ne pas enlever la base d'expédition pour l'instant.



A. Base de livraison

4. Sur les cuisinières avec tiroir de remisage :

Retirer le tiroir de remisage. Voir la section « Tiroir de remisage ». Déployer les pieds de nivellement arrière d'un demi-tour; utiliser une clé à cliquet de 1/4 po (6,4 mm). Utiliser une clé ou une pince pour abaisser les pieds de nivellement avant d'un demi-tour.



A. Clé à cliquet de 1/4 po (6,4 mm)
B. Pied de nivellement arrière
C. Clé ou pince
D. Pied de nivellement avant

Installation de la bride antibasculement

⚠ AVERTISSEMENT



Risque de basculement

Une personne, enfant ou adulte, peut faire basculer la cuisinière et subir des blessures mortelles.

Fixer la bride antibasculement au plancher ou au mur, conformément aux instructions d'installation.

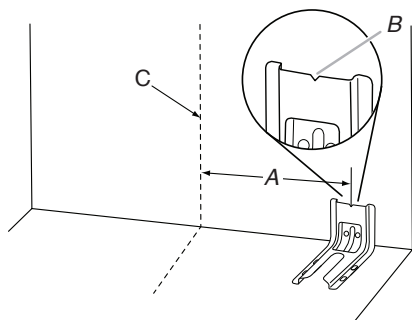
Faire glisser de nouveau la cuisinière de façon à ce que le pied arrière de la cuisinière se trouve dans la fente de la bride antibasculement.

Réengager la bride antibasculement si la cuisinière a été déplacée.

Ne pas faire fonctionner la cuisinière si la bride antibasculement n'est pas installée et engagée.

Le non-respect de ces instructions peut causer un décès ou des brûlures graves aux enfants et aux adultes.

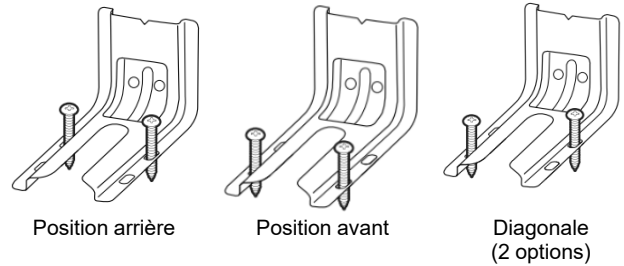
1. Ôter la bride antibasculement fixée par du ruban adhésif à l'intérieur du tiroir de remisage.
2. Déterminer la méthode de montage à utiliser : au plancher ou au mur. Pour un plancher en pierre ou en briquetage, on peut utiliser la méthode de montage au mur. En cas d'installation de la cuisinière dans une résidence mobile, il est impératif de fixer la cuisinière au sol.
3. Déterminer et marquer l'axe central de l'espace à découper. Le montage peut être effectué du côté gauche ou droit de la découpe. Positionner la bride de montage contre le mur dans l'ouverture, de telle sorte que l'encoche en V de la bride se trouve à $12 \frac{9}{16}$ po (31,9 cm) de l'axe central, comme illustré.



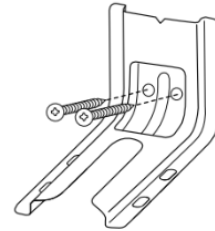
- A. $12 \frac{9}{16}$ po (31,9 cm)
 B. Encoche en V de la bride
 C. Axe central

4. Percer deux trous de $1/8$ po (3 mm) qui correspondent aux trous de la bride selon la méthode de montage déterminée. Voir les illustrations suivantes.

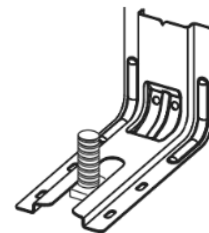
Montage au plancher



Montage mural



5. Utiliser un tournevis cruciforme pour visser la bride antibasculement au mur ou au plancher à l'aide de deux vis no $12 \times 1 \frac{5}{8}$ po (4,1 cm) incluses, visser la bride antibasculement au mur ou au plancher.
6. Rapprocher suffisamment la cuisinière de l'ouverture pour permettre le raccordement électrique et le raccordement final au gaz. Retirer la plaque de transport, le carton ou le panneau de fibres dur de sous la cuisinière.
7. Déplacer la cuisinière vers son emplacement final en s'assurant que le pied de nivellement arrière glisse dans la bride antibasculement.



8. Déplacer la cuisinière vers l'avant sur sa plaque de transport, son carton ou son panneau de fibres dur pour poursuivre l'installation de la cuisinière à l'aide des instructions d'installation suivantes.

Raccordement au gaz

⚠ AVERTISSEMENT



Risque d'explosion

Utiliser une canalisation neuve d'arrivée de gaz approuvée par la CSA International.

Installer un robinet d'arrêt.

Bien serrer chaque organe de connexion de la canalisation de gaz.

En cas de connexion au gaz propane, demander à une personne qualifiée de s'assurer que la pression de gaz ne dépasse pas 14 po (36 cm) dans la colonne d'eau.

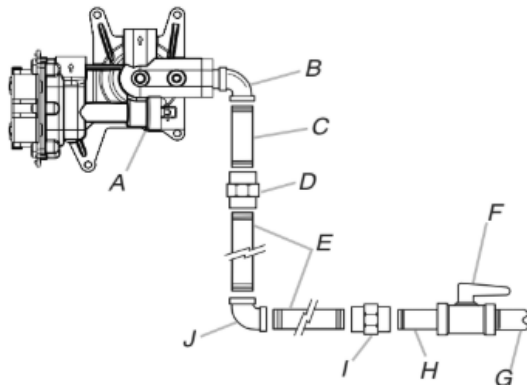
Par personnel qualifié, on entend : personnel agréé de chauffage, personnel agréé d'une compagnie de gaz, et personnel d'entretien agréé.

Le non-respect de ces instructions peut causer un décès, une explosion ou un incendie.

Raccordement typique à une canalisation rigide

On doit utiliser une combinaison de raccords pour raccorder la cuisinière à la canalisation de gaz existante. Le raccordement peut varier selon le type la taille et l'emplacement de la canalisation d'alimentation.

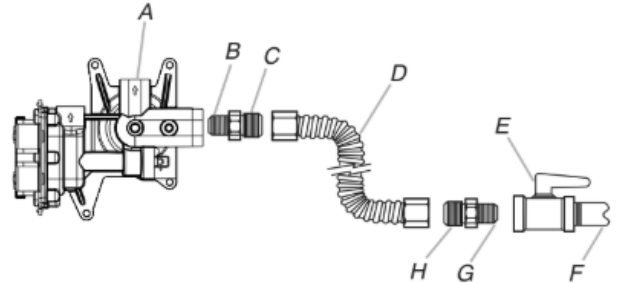
1. Appliquer de la pâte à joint conçue pour une utilisation avec le gaz propane sur tous les filets de connexion.
2. Utiliser une clé à tuyau pour serrer, raccorder l'entrée de gaz à la cuisinière.



- | | |
|---|--|
| A. Détendeur | F. Robinet d'arrêt manuel |
| B. Coude à 90° [avec filetage mâle 1/3 po [1,2 cm] pour tuyauterie] | G. Conduite de gaz de 1/2 po (1,3 cm) ou 3/4 po (1,9 cm) |
| C. Mamelon | H. Mamelon |
| D. Raccord | I. Raccord |
| E. Tuyau en fer noir | J. Coude à 90° |

Raccordement typique par raccord flexible

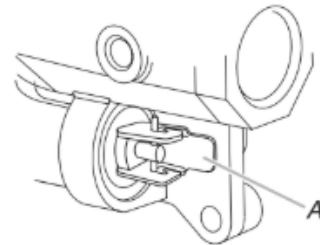
1. Appliquer un composé d'étanchéité des filetages résistant au propane sur l'extrémité fileté la plus petite des adaptateurs de raccord flexible (voir B et G ci-dessous).
2. Fixer un raccord d'adaptation sur le régulateur de pression du gaz et l'autre raccord d'adaptation sur le robinet d'arrêt de la canalisation de gaz. Serrer les deux adaptateurs.
3. Utiliser une clé mixte de 15/16 po (23,8 mm) et une pince multiprise pour fixer le raccord flexible sur les raccords d'adaptation. S'assurer que le raccord n'est pas déformé.



- | | |
|---|--|
| A. Détendeur | E. Robinet d'arrêt manuel |
| B. Appliquer un composé d'étanchéité. | F. Conduite de gaz de 1/2 po (12,7 mm) ou 3/4 po (19,1 mm) |
| C. Raccord d'adaptation [doit posséder un filetage mâle 1/3 po [12,7 mm] pour tuyauterie] | G. Appliquer un composé d'étanchéité. |
| D. Raccord flexible | H. Adaptateur |

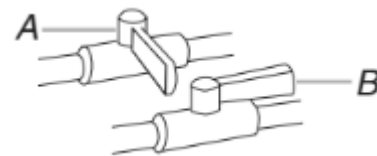
Achever le raccordement

1. Vérifier que le robinet d'arrêt du détendeur est à la position « marche » (ouvert).



A. Robinet d'arrêt du détendeur à la position « on » (ouvert)

2. Ouvrir le robinet d'arrêt manuel sur la canalisation d'alimentation en gaz. Le robinet est ouvert lorsque la manette est parallèle au conduit d'alimentation en gaz.

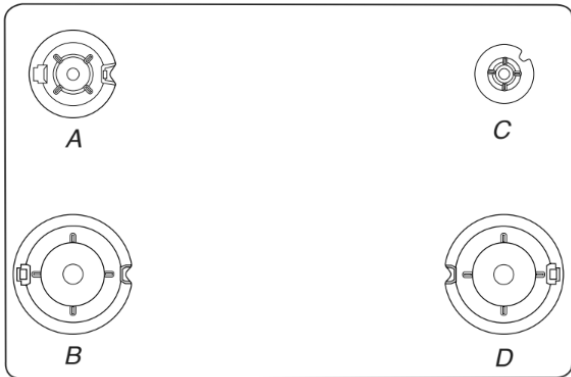


A. Robinet fermé
B. Robinet ouvert

3. Vérifier tous les raccordements en les badigeonnant d'une solution de détection des fuites non corrosive approuvée. L'apparition de bulles indique une fuite. Éliminer toute fuite détectée.

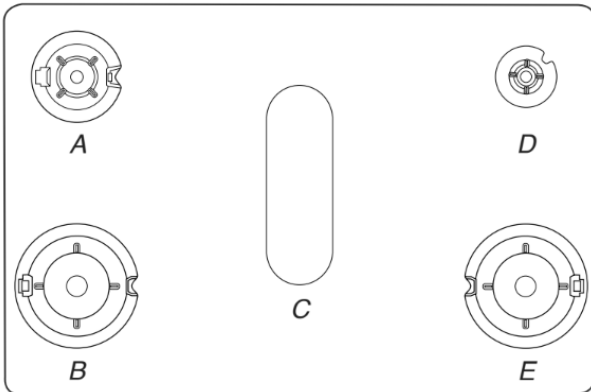
4. Ôter les chapeaux et grilles de brûleur de la table de cuisson du sachet de pièces. Placer les bases de brûleurs comme indiqué dans l'illustration suivante pour votre modèle :

Pour modèles à 4 brûleurs :



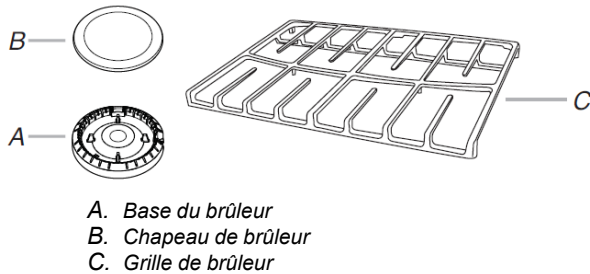
- A. Moyen (semi-rapide) C. Petit (auxiliaire)
B. Grand (ultra rapide) D. Grand (ultra rapide)

Pour modèles à 5 brûleurs :



- A. Moyen (semi-rapide) D. Petit (auxiliaire)
B. Grand (ultra rapide) E. Grand (ultra rapide)
C. Ovale

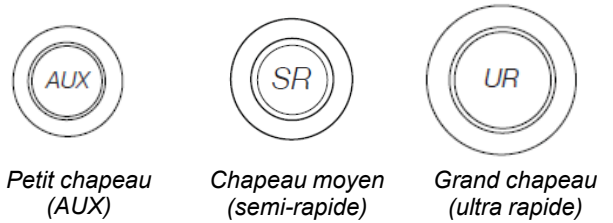
5. Un chapeau de brûleur correctement placé doit être horizontal. Si les chapeaux de brûleur ne sont pas correctement installés, les brûleurs de surface ne s'allumeront pas. Placer les grilles de brûleur sur les brûleurs et chapeaux.



- A. Base du brûleur
B. Chapeau de brûleur
C. Grille de brûleur

6. Placer les chapeaux de brûleur sur les bases de brûleur correspondantes.

IMPORTANT : La partie inférieure des petits chapeaux et des chapeaux moyens est différente. Ne pas poser un chapeau de la mauvaise taille sur la base du brûleur. Chaque chapeau de brûleur rond porte la marque AUX, SR, UR ou ST pour correspondre avec la marque sur la base du brûleur.



⚠ AVERTISSEMENT



Risque de décharge électrique

Brancher l'appareil sur une prise à 3 alvéoles reliée à la terre.

Ne pas enlever la prise de liaison à la terre.

Ne pas utiliser d'adaptateur.

Ne pas utiliser de rallonge.

Le non-respect de ces instructions peut causer un décès, un incendie ou une décharge électrique.

7. Brancher l'appareil dans une prise à 3 alvéoles reliée à la terre.
8. Déplacer la cuisinière vers son emplacement définitif en s'assurant que le pied de nivellement arrière glisse dans les fentes de la bride antibasculement.

Vérifier que la bride antibasculement est bien installée et engagée

Sur les cuisinières avec tiroir de remisage :

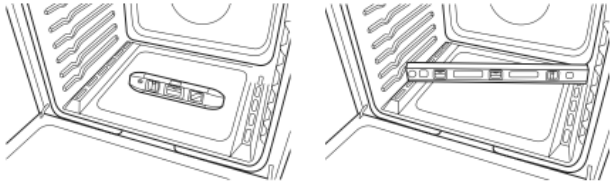
1. Retirer le tiroir de remisage. Voir la section « Tiroir de remisage ».
2. Au moyen d'une torche électrique, inspecter le dessous de la cuisinière.
3. Vérifier visuellement que le pied arrière de la cuisinière se trouve dans la fente de la bride antibasculement.

Réglage de l'aplomb de la cuisinière

Vérifier si la cuisinière est munie de la technologie AquaLift® ou Steam Clean (nettoyage à la vapeur) en consultant la section « Entretien de la cuisinière » des instructions d'utilisation.

Pour les cuisinières équipées de la technologie AquaLift® ou Steam Clean (nettoyage à la vapeur) :

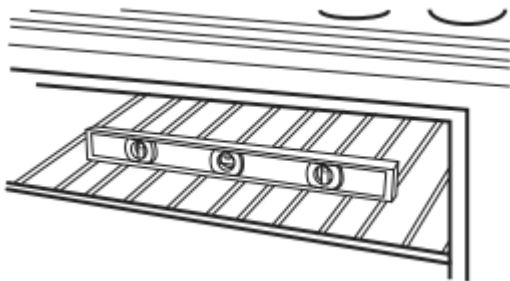
1. En fonction de la taille du niveau, le placer sur le bas du four comme indiqué dans l'une des deux illustrations ci-dessous. Contrôler l'aplomb transversal et dans le sens avant/arrière.



2. Si la cuisinière n'est pas d'aplomb, la tirer de nouveau pour que le pied de nivellement arrière se dégage de la bride antibasculement.
3. Suivre les instructions fournies pour le style 1.

Pour les cuisinières qui ne possèdent pas la technologie AquaLift® ou Steam Clean (nettoyage à la vapeur) :

1. Placer une grille plate dans le four.
2. Placer un niveau sur la grille et contrôler l'aplomb de la cuisinière, d'abord transversalement, puis dans le sens avant/arrière.



3. Si la cuisinière n'est pas d'aplomb, la tirer de nouveau pour que le pied de nivellement arrière se dégage de la bride antibasculement.
4. Suivre les instructions fournies pour le type 1 en fonction du type de tiroir fourni avec la cuisinière.

Style 1 : Cuisinières avec tiroir de remisage :

Utiliser une clé à cliquet de 1/4 po (6,4 mm), une clé ou une pince pour régler les pieds de nivellement vers le haut ou vers le bas jusqu'à ce que la cuisinière soit d'aplomb. Repousser la cuisinière pour la remettre en place. Vérifier que le pied de nivellement arrière est engagé dans la bride antibasculement.

Système d'allumage électronique

Allumage initial et réglage des flammes de gaz

Un système d'allumage électronique est utilisé à la place des flammes de veille pour l'allumage des brûleurs (table de cuisson et four). Lorsqu'on place le bouton de commande d'un brûleur de la table de cuisson à la position « LITE » (allumage), le système génère des étincelles pour l'allumage du brûleur. La génération d'étincelles se poursuit aussi longtemps que le bouton de commande est laissé à la position « LITE » (allumage).

Lorsqu'on place le bouton de commande du brûleur du four à la position désirée, les étincelles générées provoquent l'inflammation du gaz.

Contrôle du fonctionnement des brûleurs de la table de cuisson

Brûleurs standard de la table de cuisson

Enfoncer et tourner chaque bouton de commande à la position « LITE » (allumage).

La flamme doit s'allumer sur le brûleur en moins de 4 secondes. Lors de l'allumage initial du brûleur, le délai d'allumage peut être supérieur à 4 secondes du fait de la présence d'air dans la canalisation de gaz.

Si les brûleurs ne s'allument pas correctement :

- Tourner le bouton de commande de la table de cuisson à la position « Off » (arrêt).
- Vérifier que la cuisinière est branchée. Vérifier que le disjoncteur ne s'est pas déclenché, et qu'aucun fusible du domicile n'a grillé.
- Vérifier que les robinets d'arrêt de gaz sont en position « ouverte ».
- Vérifier que les chapeaux de brûleur sont correctement placés sur la base des brûleurs.



A. Incorrect

B. Correct

Répéter le processus de mise en marche. Si un brûleur ne s'allume pas à ce stade, tourner les boutons de commande sur la position « OFF » (arrêt) et contacter le revendeur ou un dépanneur agréé. Consulter le Guide de démarrage rapide pour obtenir les coordonnées.

Panne de courant

En cas de panne de courant prolongée, les brûleurs de surface peuvent être allumés manuellement. Tenir une allumette allumée près d'un brûleur et tourner le bouton dans le sens antihoraire pour le placer sur LITE (allumage). Une fois le brûleur allumé, placer le bouton au réglage désiré.

Réglage de la taille des flammes

Régler la taille des flammes sur les brûleurs de la table de cuisson. Pour le réglage au débit thermique « Low » (minimum), on doit observer des flammes stables bleues de 1/4 po (6,4 mm).



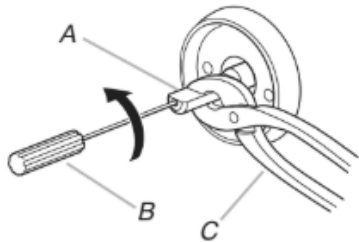
A. Débit thermique minimum

B. Débit thermique maximum

Réglage des brûleurs standard :

La vis de réglage au centre de la tige de commande du robinet permet de régler la taille des flammes. La tige de commande est située directement au-dessous du bouton de commande.

S'il est nécessaire de régler la taille des flammes pour le débit thermique minimum :

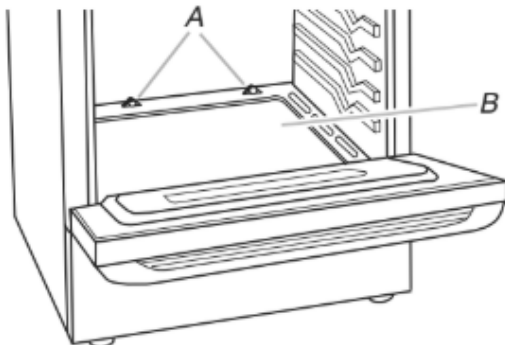


A. Tige du bouton de commande
B. Tournevis
C. Pince

1. Allumer 1 brûleur et le tourner au réglage le plus bas.
2. Ôter le bouton de commande.
Immobiliser la tige de commande avec une pince. Utiliser un petit tournevis à lame plate pour faire tourner la vis située au centre de la tige de commande; ajuster les flammes à la taille désirée.
3. Réinstaller le bouton de commande.
4. Tester la flamme en tournant le bouton de commande pour le faire passer de « LO » (basse) à « HI » (élevée) et observer les flammes pour chaque réglage.
5. Répéter les étapes ci-dessus pour chaque brûleur.

Contrôle du fonctionnement du brûleur de cuisson au four

1. Ôter la grille du four.
2. Pour retirer la partie inférieure du four : Ôter 2 vis à l'arrière de la partie inférieure du four. Soulever l'arrière de la partie inférieure du four vers le haut et l'arrière jusqu'à dégager l'avant du panneau hors du cadre avant. Le retirer du four et le poser sur une surface couverte.



A. Vis
B. Fond du four

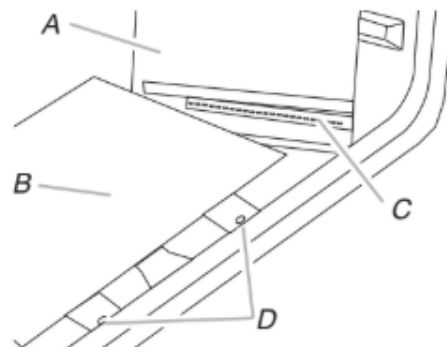
3. Pour vérifier la flamme du brûleur, ôter le répartiteur de flammes ou utiliser un miroir.

Pour ôter le répartiteur de flammes :

Ôter 2 vis des volets avant du répartiteur de flammes. Soulever l'avant du répartiteur de flammes et tirer vers l'avant pour retirer les onglets de l'arrière du four.

Utilisation d'un miroir :

Insérer un miroir sur un côté du brûleur. Regarder dans le miroir pour vérifier la flamme.



A. Miroir
B. Répartiteur de flammes
C. Réfléchissement de la flamme
D. 2 vis

4. Appuyer sur la touche BAKE (cuisson au four).
5. Appuyer sur la touche START (mise en marche).

Le brûleur de cuisson au four doit s'allumer en moins de 8 secondes. Dans certaines circonstances, le brûleur peut mettre jusqu'à 50 à 60 secondes pour s'allumer.

Des dispositifs d'allumage électronique sont utilisés pour l'allumage des brûleurs de cuisson au four.

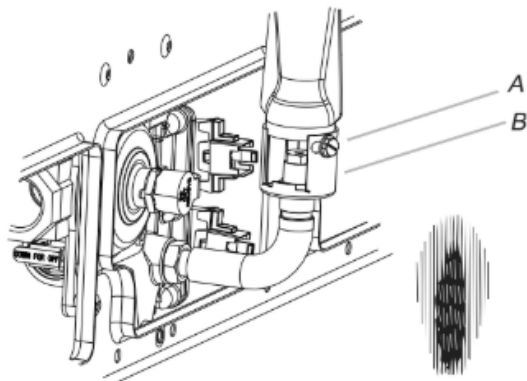
Consulter le Guide de démarrage rapide et le Guide de commande en ligne pour connaître le bon fonctionnement des commandes du four.

Réglage de la taille des flammes sur le brûleur du four (le cas échéant)

1. Retirer le tiroir de remisage. Voir la section « Enlever/replacer du tiroir », « Tiroir de rangement ».
2. Observer les flammes sur le brûleur du four pour déterminer si un réglage est nécessaire.

Il doit y avoir sur le brûleur des flammes comportant un cône interne bleu vert de 1/2 po (1,3 cm) et une zone externe bleu foncé; la forme des flammes doit être nette et douce. On ne doit pas observer de pointes jaunes, ni d'effet de soufflage ou de séparation entre les flammes et le brûleur.

3. S'il est nécessaire de régler la taille des flammes, identifier la virole de réglage de l'admission d'air près du centre/à l'arrière de la cuisinière. Desserrer la vis de blocage et faire tourner la virole pour établir des flammes de configuration correcte. Resserrer la vis de blocage de la virole.



A. Vis de blocage
B. Admission d'air

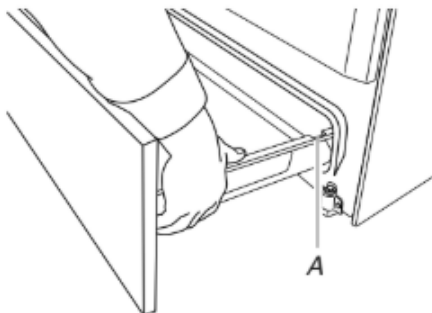
4. Appuyer sur CANCEL/OFF (annulation/arrêt) une fois terminé.
5. Réinstaller le répartiteur de flammes et la plaque de couverture du brûleur de four.

Tiroir de remisage

Le tiroir de remisage peut être enlevé. Avant de l'enlever, s'assurer que le tiroir est froid et vide.

Retrait :

1. Tirer le tiroir de remisage en ligne droite vers l'arrière jusqu'à la butée du tiroir.



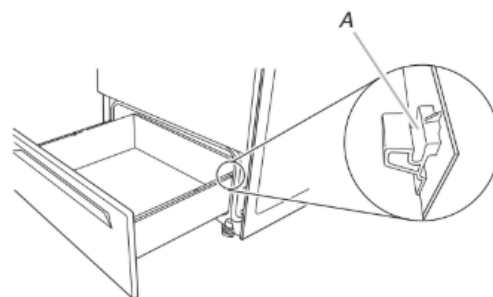
A. Encoche d'arrêt du tiroir

2. Soulever l'avant du tiroir et retirer ce dernier.

Remplacer :

1. Soulever l'avant du tiroir et placer l'arrière du tiroir dans la cuisinière de façon à ce que l'encoche de butée du tiroir se trouve derrière la glissière du tiroir.
2. Abaisser le tiroir de façon à ce que le bord de la glissière s'insère dans l'encoche de la glissière de tiroir.

3. Pousser doucement le tiroir dans la cuisinière.



A. Glissière de tiroir engagée.

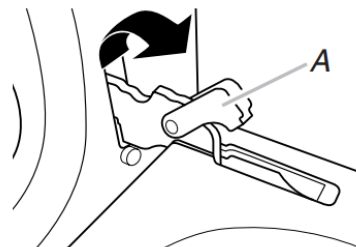
REMARQUE : Lorsque le tiroir est correctement installé, les glissières de la base s'engagent dans les glissières arrière du fond du tiroir et le tiroir lui-même ne s'incline pas lorsqu'on place des objets à l'intérieur.

Porte du four

Il n'est pas recommandé d'enlever la porte du four pour une utilisation normale. Toutefois, si la dépose est nécessaire, s'assurer que le four est ÉTEINT et froid. Ensuite, suivre les instructions ci-dessous. La porte du four est lourde.

Retrait :

1. Ouvrir la porte du four complètement.
2. Pincer le loquet de charnière entre les deux doigts et le tirer vers l'avant. Répéter ces opérations pour l'autre côté de la porte du four.



A. Loquet de charnière

3. Fermer la porte du four aussi loin que possible.
4. Soulever la porte du four en la retenant de chaque côté.

Continuer de maintenir la porte du four fermée et la dégager du châssis de la porte du four.



Replacer :

1. Insérer les deux bras de suspension dans la porte.



2. Ouvrir la porte du four.
On devrait entendre un déclic lors de la mise en place de la porte.
3. Remettre les leviers des charnières à la position verrouillée. Vérifier que la porte s'ouvre et se ferme facilement. Si ce n'est pas le cas, répéter la procédure pour enlever et reposer la porte.

Achever l'installation

1. Vérifier que toutes les pièces sont maintenant installées. S'il reste une pièce, passer en revue les différentes étapes pour découvrir laquelle aurait été oubliée.
2. Vérifier la présence de tous les outils.
3. Éliminer/recycler tous les matériaux d'emballage.
4. Vérifier que la cuisinière est d'aplomb. Voir la section « Ajustement de l'aplomb de la cuisinière ».
5. Utiliser une solution d'eau tiède et de nettoyant ménager doux pour éliminer tout résidu de cire laissé par les matériaux d'emballage. Sécher soigneusement avec un chiffon doux. Pour obtenir plus d'informations, lire la section « Entretien et réparation de la cuisinière ».
6. Lire le Guide de démarrage rapide et le Guide de commande en ligne.
7. Mettre en marche les brûleurs de surface et le four. Consulter le Guide de démarrage rapide et le Guide de commande pour obtenir des instructions précises sur le fonctionnement de la cuisinière.

Si la cuisinière ne fonctionne pas, contrôler ce qui suit :

- Le fusible domestique est intact et bien visé ou le disjoncteur n'est pas ouvert.
 - Cuisinière branchée directement sur une prise de courant à 3 alvéoles, reliée à la terre.
 - Le robinet d'arrêt du détendeur est en position ouverte.
 - La prise de courant est correctement alimentée.
 - Consulter la section « Dépannage » en ligne.
8. Après 5 minutes de fonctionnement de la cuisinière, vérifier la chaleur. Si aucune émanation de chaleur n'est perceptible, éteindre la cuisinière et vérifier que le robinet d'arrêt de la canalisation de gaz est ouvert.
 - Si le robinet d'arrêt de l'entrée de gaz est fermé, l'ouvrir, puis répéter le test de 5 minutes décrit précédemment.
 - Si le robinet d'arrêt d'alimentation en gaz est ouvert, appuyer sur le bouton CANCEL (annulation) sur le tableau de commande du four et contacter un électricien qualifié.

Pour obtenir de l'assistance ou une visite de service :

Consulter le Guide de démarrage rapide pour obtenir les coordonnées.

CONVERSIONS POUR CHANGEMENT DE GAZ

Les conversions pour changement de gaz naturel à propane ou de propane à gaz naturel doivent être effectuées par un installateur qualifié.

⚠ AVERTISSEMENT



Risque d'explosion

Utiliser une canalisation neuve d'arrivée de gaz approuvée par la CSA International.

Installer un robinet d'arrêt.

Bien serrer chaque organe de connexion de la canalisation de gaz.

En cas de connexion au gaz propane, demander à une personne qualifiée de s'assurer que la pression de gaz ne dépasse pas 14 po (36 cm) dans la colonne d'eau.

Par personnel qualifié, on entend : personnel agréé de chauffage, personnel agréé d'une compagnie de gaz, et personnel d'entretien agréé.

Le non-respect de ces instructions peut causer un décès, une explosion ou un incendie.

⚠ AVERTISSEMENT :

L'installation de cet ensemble de conversion doit être exécutée par le personnel qualifié d'une agence de service/entretien, conformément aux instructions du fabricant et en conformité avec les prescriptions de tous les codes et règlements applicables publiés par l'autorité juridictionnelle. Le non-respect de l'intégralité de ces instructions peut causer un incendie, une explosion ou du monoxyde de carbone qui pourraient entraîner des dommages matériels, des blessures ou la mort. Le personnel qualifié d'une agence de service/entretien assume la responsabilité de l'installation correcte de cet ensemble. L'installation ne peut être considérée comme adéquate et complète qu'après contrôle satisfaisant du fonctionnement de l'appareil converti conformément aux instructions du fabricant fournies avec l'ensemble.

Conversion pour l'alimentation au propane

AVERTISSEMENT



Risque de basculement

Une personne, enfant ou adulte, peut faire basculer la cuisinière et subir des blessures mortelles.

Fixer la bride antibasculement au plancher ou au mur, conformément aux instructions d'installation.

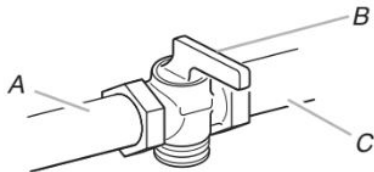
Faire glisser de nouveau la cuisinière de façon à ce que le pied arrière de la cuisinière se trouve dans la fente de la bride antibasculement.

Réengager la bride antibasculement si la cuisinière a été déplacée.

Ne pas faire fonctionner la cuisinière si la bride antibasculement n'est pas installée et engagée.

Le non-respect de ces instructions peut causer un décès ou des brûlures graves aux enfants et aux adultes.

1. Fermer le robinet d'arrêt manuel.



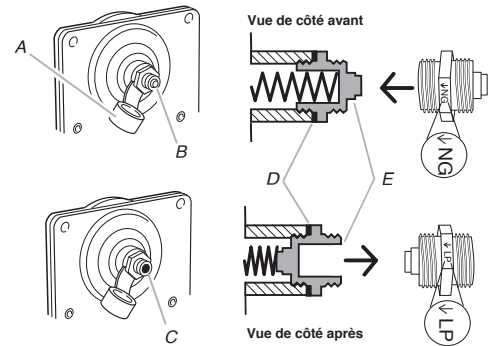
- A. Vers la cuisinière
- B. Robinet d'arrêt en position « fermée »
- C. Conduite de gaz

2. Débrancher la cuisinière ou déconnecter la source de courant électrique.

Conversion du détendeur de gaz (du gaz naturel au gaz propane)

1. Retirer le tiroir de remisage. Voir la section « Enlever/replacer du tiroir », « Tiroir de rangement ».
2. Identifier le détendeur à l'arrière du compartiment du tiroir.
3. Ôter le couvercle de plastique du capuchon du détendeur.
4. Avec une clé mixte de 5/8 po (1,6 cm), tourner le chapeau du détendeur dans le sens antihoraire pour l'enlever.

REMARQUE : Ne pas enlever le ressort situé sous le capuchon.

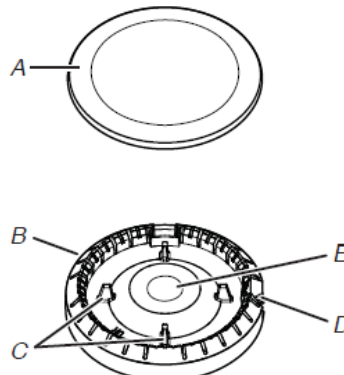


- A. Couvercle de plastique
- B. Capuchon du détendeur; extrémité borgne vers l'extérieur
- C. Capuchon du détendeur; extrémité ouverte vers l'extérieur
- D. Rondelle
- E. Capuchon du détendeur

5. Inverser la position du capuchon du détendeur avant de le réinstaller sur le détendeur; l'extrémité ouverte doit être orientée vers l'extérieur, et les lettres « LP » doivent être visibles (orientation comme sur le dessin ci-dessus).
6. Réinstaller le couvercle de plastique par-dessus le capuchon du détendeur.

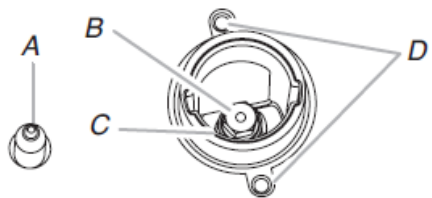
Conversion des brûleurs de surface (du gaz naturel au gaz propane)

1. Ôter le chapeau de brûleur.
2. Ôter la base du brûleur.



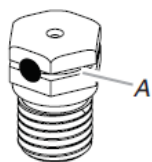
- A. Chapeau de brûleur
- B. Base du brûleur
- C. Tiges d'alignement
- D. Électrode d'allumage
- E. Ouverture du tube d'arrivée de gaz

- Appliquer du ruban adhésif de masquage à l'extrémité d'un tourne-écrou de 5/16 po (7 mm) pour retenir l'injecteur du brûleur dans le tourne-écrou durant l'extraction. Placer le tourne-écrou sur l'injecteur; tourner dans le sens antihoraire et soulever pour enlever l'injecteur. Conserver à part l'injecteur du brûleur.



- A. Électrode d'allumage
- B. Injecteur
- C. Porte-injecteur
- D. Vis

- Retirer les injecteurs fournis dans le sachet de documentation situé dans le four. Chaque injecteur est marqué d'un code d'identification gravé et comporte une rainure dans la zone hexagonale. Remplacer l'injecteur à orifice pour gaz naturel par le bon injecteur pour gaz propane.



- A. Fente de propane

Consulter le tableau suivant pour connaître le bon positionnement de l'injecteur à orifice pour gaz propane.

Tableau pour les injecteurs à orifice pour gaz propane des brûleurs de surface

Emplacement	Capacité/type de brûleur	Taille (mm)	Identifiant
GAV	14 200 BTU	1,08	108AM
GAR	8 000 BTU	0,84	084AM
DAV	14 200 BTU	1,08	108AM
Arrière droit	5 000 BTU	0,64	064AM
CENTRE	8 000 BTU	0,84	084AM

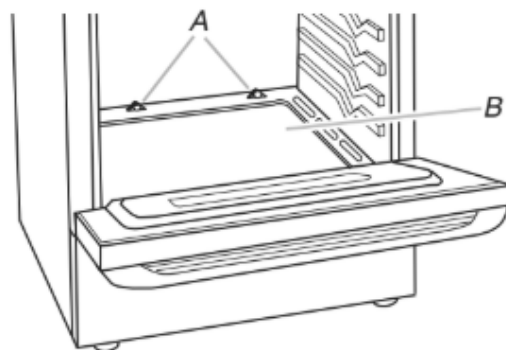
REMARQUE : Consulter la fiche technique située dans le couvercle arrière pour les débits thermiques de chaque brûleur selon le gaz.

- Placer l'injecteur pour gaz naturel dans le sachet des injecteurs.
IMPORTANT : Conserver les injecteurs pour gaz naturel au cas où la cuisinière devrait être reconvertie au gaz naturel.
- Réinstaller la base du brûleur.
- Réinstaller le chapeau de brûleur.
- Répéter les étapes 1 à 7 pour les autres brûleurs.

Conversion du brûleur de cuisson au four (du gaz naturel au gaz propane)

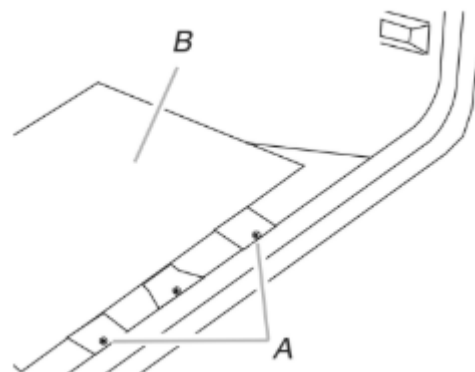
- Retirer les grilles du four.
- Ôter 2 vis à l'arrière de la partie inférieure du four.

- Soulever l'arrière de la partie inférieure du four vers le haut et l'arrière jusqu'à dégager l'avant du panneau hors du cadre avant. Le retirer du four et le mettre de côté sur une surface couverte.



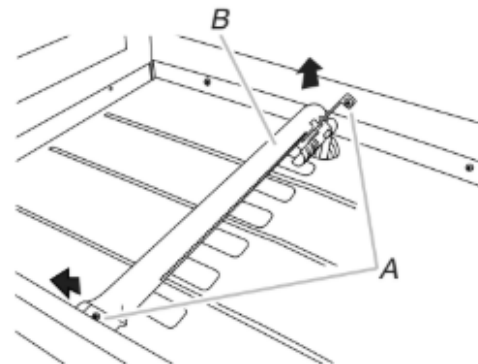
- A. Vis
- B. Fond du four

- Ôter 2 vis des volets avant du répartiteur de flammes. Soulever l'avant du diffuseur de flammes et tirer dessus pour enlever les onglets de l'arrière du four. Garder de côté sur une surface couverte.



- A. Vis
- B. Répartiteur de flammes

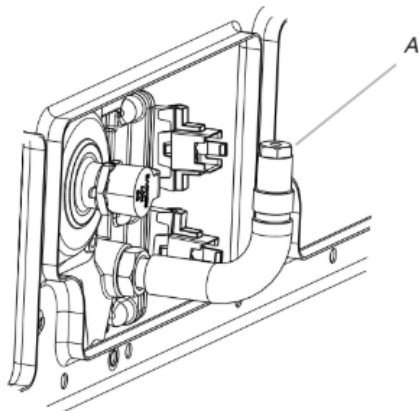
- Ôter 2 vis du brûleur de cuisson au four.
- Faire glisser l'avant du brûleur de cuisson au four sur le côté pour retirer l'onglet de l'avant du four. Soulever l'arrière du brûleur de cuisson au four de l'orifice du four, et mettre le brûleur de cuisson au four de côté.



- A. Vis
- B. Brûleur de cuisson au four

7. Utiliser un tourne-écrou de 3/8 po (1 cm) ou une clé combinée pour faire tourner l'injecteur à orifice au gaz naturel du brûleur de cuisson au four dans le sens antihoraire et l'enlever. L'injecteur sera identifié par le chiffre « 49. »
8. Remplacer l'injecteur « 49 » par un injecteur « 57 ». Installer l'injecteur pour gaz propane du brûleur de cuisson au four en le tournant dans le sens horaire jusqu'à ce qu'il soit serré.

IMPORTANT : Ne pas serrer excessivement.



A. Injecteur

9. Positionner l'arrière du brûleur de cuisson au four sur l'orifice du four et insérer l'onglet situé à l'avant du brûleur de cuisson au four dans l'avant du four.
10. Réinstaller le brûleur de cuisson au four avec 2 vis.
11. Insérer les onglets à l'arrière du répartiteur de flammes dans l'arrière du four.
12. Réinstaller les onglets avant du répartiteur de flammes au four avec 2 vis.
13. Positionner l'avant du panneau inférieur du four vers le cadre avant et abaisser l'arrière du panneau de la partie inférieure du four pour l'insérer dans le four.
14. Réinstaller le panneau de la partie inférieure du four avec 2 vis.

Achever l'installation (de gaz naturel à propane)

1. Pour le raccordement correct de la cuisinière à l'alimentation en gaz, se reporter à la section « Raccordement au gaz ».
2. Pour l'allumage et l'utilisation corrects du brûleur, ainsi que le réglage des flammes sur le brûleur, voir la section « Système d'allumage électronique ».

IMPORTANT : Il peut être nécessaire de modifier le réglage des flammes à la position du débit thermique minimum « LO » pour chaque brûleur de la table de cuisson.

Il est très important de vérifier l'établissement de flammes correctes sur les brûleurs de la table de cuisson et du four. Le petit cône interne doit comporter une flamme bleue très distincte de 1/4 po (0,64 cm) à 1/2 po (1,3 cm) de long. Le cône extérieur n'est pas aussi net que le cône intérieur. Les flammes d'un brûleur alimenté au propane comportent une pointe légèrement jaune.

3. Voir le point « Achever l'installation » de la section « Instructions d'installation » du présent manuel pour achever cette procédure.

REMARQUE : Veiller à conserver les injecteurs qui viennent d'être remplacés lors de la conversion.

Conversion pour l'alimentation au gaz naturel

⚠ AVERTISSEMENT



Risque de basculement

Une personne, enfant ou adulte, peut faire basculer la cuisinière et subir des blessures mortelles.

Fixer la bride antibasculement au plancher ou au mur, conformément aux instructions d'installation.

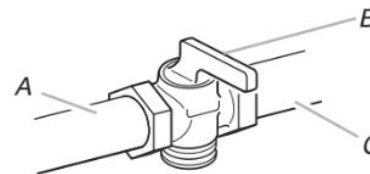
Faire glisser de nouveau la cuisinière de façon à ce que le pied arrière de la cuisinière se trouve dans la fente de la bride antibasculement.

Réengager la bride antibasculement si la cuisinière a été déplacée.

Ne pas faire fonctionner la cuisinière si la bride antibasculement n'est pas installée et engagée.

Le non-respect de ces instructions peut causer un décès ou des brûlures graves aux enfants et aux adultes.

1. Fermer le robinet d'arrêt manuel.



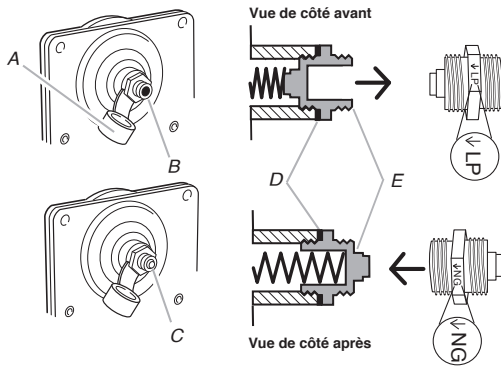
- A. Vers la cuisinière
- B. Robinet d'arrêt en position « fermée »
- C. Conduite de gaz

2. Débrancher la cuisinière ou déconnecter la source de courant électrique.

Conversion du détendeur de gaz (du gaz propane au gaz naturel)

1. Retirer le tiroir de remisage. Voir la section « Enlever/replacer du tiroir de rangement ».
2. Identifier le détendeur à l'arrière du compartiment du tiroir.
3. Ôter le couvercle de plastique du capuchon du détendeur.
4. Avec une clé mixte de 5/8 po (1,6 cm), tourner le chapeau du détendeur dans le sens antihoraire pour l'enlever.

REMARQUE : Ne pas enlever le ressort situé sous le capuchon.

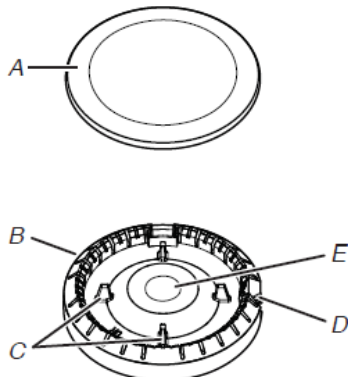


- A. Couvercle de plastique
- B. Capuchon du détendeur; extrémité ouverte vers l'extérieur
- C. Capuchon du détendeur; extrémité borgne vers l'extérieur
- D. Rondelle
- E. Capuchon du détendeur

5. Inverser la position du capuchon du détendeur avant de le réinstaller sur le détendeur; l'extrémité borgne doit être orientée vers l'extérieur, et l'inscription « ↓NG » doit être visible (orientation comme sur le dessin ci-dessus).
6. Réinstaller le couvercle de plastique par-dessus le capuchon du détendeur.

Conversion des brûleurs de surface (du gaz propane au gaz naturel)

1. Ôter le chapeau de brûleur.
2. Ôter la base du brûleur.



- A. Chapeau de brûleur
- B. Base du brûleur
- C. Tiges d'alignement
- D. Électrode d'allumage
- E. Ouverture du tube d'arrivée de gaz

3. Appliquer du ruban adhésif de masquage à l'extrémité d'un tourne-écrou de 5/16 po (7 mm) pour retenir l'injecteur du brûleur dans le tourne-écrou durant l'extraction. Placer le tourne-écrou sur l'injecteur; tourner dans le sens antihoraire et soulever pour enlever l'injecteur. Conserver à part l'injecteur du brûleur.



- A. Électrode d'allumage
- B. Injecteur
- C. Porte-injecteur
- D. Vis

4. Chaque injecteur est marqué d'un code d'identification gravé sur le côté. Remplacer l'injecteur à orifice pour gaz propane par le bon injecteur pour gaz naturel.



- A. Chiffre gravé

Le tableau qui suit permet de sélectionner l'injecteur pour gaz naturel correct pour chaque brûleur.

Tableau de sélection des injecteurs pour gaz naturel

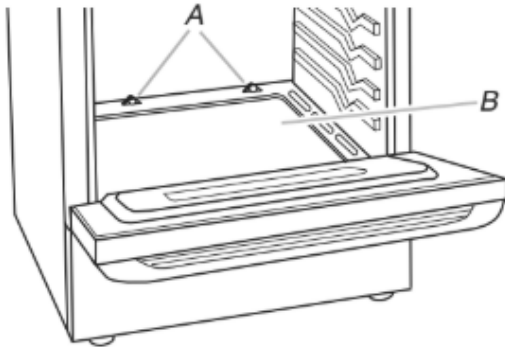
Puissance thermique	Taille (mm)	Identifiant
18 000 BTU	2,00	200AM
17 000 BTU	1,96	196AM
15 000 BTU	1,80	180AM
9 500 BTU	1,40	140AM
8 000 BTU	1,30	130AM
5 000 BTU	1,00	100AM

REMARQUE : Consulter la fiche technique située dans le couvercle arrière pour les débits thermiques de chaque brûleur selon le gaz.

5. Placer l'injecteur pour gaz propane dans le sachet à injecteur.
IMPORTANT : Conserver les injecteurs pour gaz propane au cas où la cuisinière devrait être reconvertie au gaz propane.
6. Réinstaller la base du brûleur à l'aide des deux vis.
7. Réinstaller le chapeau de brûleur.
8. Répéter les étapes 1 à 7 pour les autres brûleurs.

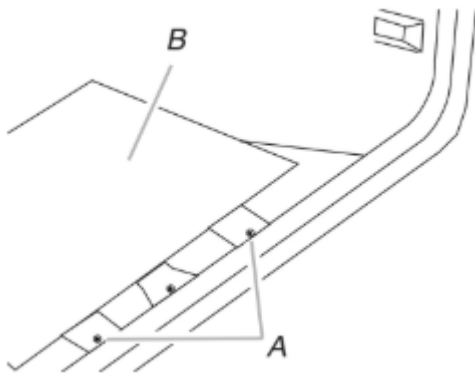
Conversion du brûleur de cuisson au four (du gaz propane au gaz naturel)

1. Retirer les grilles du four.
2. Ôter 2 vis à l'arrière de la partie inférieure du four.
3. Soulever l'arrière de la partie inférieure du four vers le haut et l'arrière jusqu'à dégager l'avant du panneau hors du cadre avant. Le retirer du four et le mettre de côté sur une surface couverte.



A. Vis
B. Fond du four

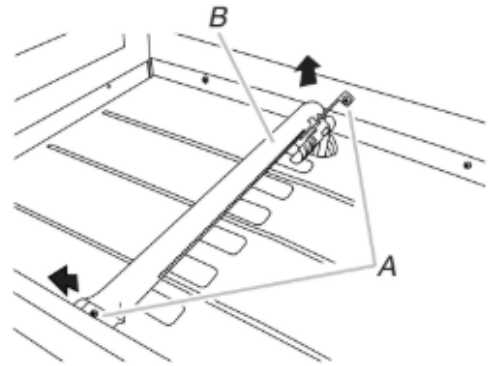
4. Ôter 2 vis des volets avant du répartiteur de flammes. Soulever l'avant du diffuseur de flammes et tirer dessus pour enlever les onglets de l'arrière du four. Garder de côté sur une surface couverte.



A. Vis
B. Répartiteur de flammes

5. Ôter 2 vis du brûleur de cuisson au four.

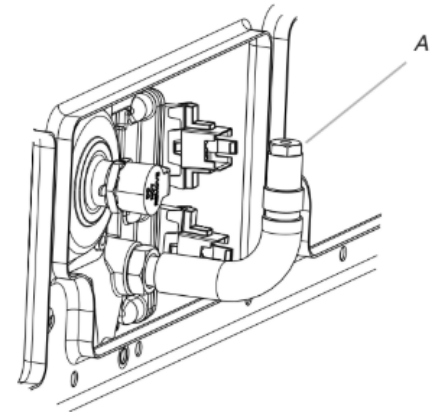
6. Faire glisser l'avant du brûleur de cuisson au four sur le côté pour retirer l'onglet de l'avant du four. Soulever l'arrière du brûleur de cuisson au four de l'orifice du four, et mettre le brûleur de cuisson au four de côté.



A. Vis
B. Brûleur de cuisson au four

7. Utiliser un tourne-écrou de 3/8 po (1 cm) ou une clé combinée pour faire tourner l'injecteur à orifice au gaz propane du brûleur de cuisson au four dans le sens antihoraire et l'enlever. L'injecteur sera identifié par le chiffre « 57. »
8. Remplacer l'injecteur « 57 » par un injecteur « 49 ». Installer l'injecteur pour gaz naturel du brûleur de cuisson au four en le tournant dans le sens horaire jusqu'à ce qu'il soit serré.

IMPORTANT : Ne pas serrer excessivement.



A. Injecteur

9. Positionner l'arrière du brûleur de cuisson au four sur l'orifice du four et insérer l'onglet situé à l'avant du brûleur de cuisson au four dans l'avant du four
10. Réinstaller le brûleur de cuisson au four avec 2 vis.
11. Insérer les onglets à l'arrière du répartiteur de flammes dans l'arrière du four.
12. Réinstaller les onglets avant du répartiteur de flammes au four avec 2 vis.
13. Positionner l'avant du panneau inférieur du four vers le cadre avant et abaisser l'arrière du panneau de la partie inférieure du four pour l'insérer dans le four.
14. Réinstaller le panneau de la partie inférieure du four avec 2 vis.

Achever l'installation (de gaz propane à naturel)

1. Pour le raccordement correct de la cuisinière à l'alimentation en gaz, se reporter à la section « Raccordement au gaz ».
2. Pour l'allumage et l'utilisation corrects du brûleur, ainsi que le réglage des flammes sur le brûleur, voir la section « Système d'allumage électronique ».

IMPORTANT : Il peut être nécessaire de modifier le réglage des flammes à la position du débit thermique minimum « LO » pour chaque brûleur de la table de cuisson.

Il est très important de vérifier l'établissement de flammes correctes sur les brûleurs de la table de cuisson et du four. Les flammes d'un brûleur alimenté au gaz naturel ne comportent pas de pointes jaunes.

3. Voir le point « Achever l'installation » de la section « Instructions d'installation » du présent manuel pour achever cette procédure.

REMARQUE : Veiller à conserver les injecteurs qui viennent d'être remplacés lors de la conversion.

Déplacement de la cuisinière

⚠ AVERTISSEMENT



Risque de basculement

Une personne, enfant ou adulte, peut faire basculer la cuisinière et subir des blessures mortelles.

Fixer la bride antibasculement au plancher ou au mur, conformément aux instructions d'installation.

Faire glisser de nouveau la cuisinière de façon à ce que le pied arrière de la cuisinière se trouve dans la fente de la bride antibasculement.

Réengager la bride antibasculement si la cuisinière a été déplacée.

Ne pas faire fonctionner la cuisinière si la bride antibasculement n'est pas installée et engagée.

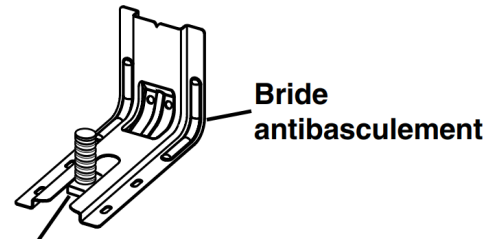
Le non-respect de ces instructions peut causer un décès ou des brûlures graves aux enfants et aux adultes.

Lorsqu'on déplace la cuisinière, la faire glisser sur une planche de carton ou en matériau dur pour éviter d'endommager le revêtement du sol.

Si le déplacement de la cuisinière est nécessaire pour le nettoyage ou l'entretien :

Cuisinières alimentées par cordon d'alimentation :

1. Faire glisser la cuisinière vers l'avant.
2. Fermer le robinet d'arrêt manuel.
3. Débrancher le cordon d'alimentation électrique.
4. Déconnecter le tuyau d'alimentation en gaz.
5. Effectuer le nettoyage ou l'entretien.
6. Reconnecter le tuyau d'alimentation en gaz.
7. Ouvrir le robinet d'arrêt manuel sur la canalisation d'alimentation en gaz.
8. Brancher le cordon d'alimentation électrique.
9. Faire glisser de nouveau la cuisinière de façon à ce que le pied arrière de la cuisinière se trouve sous la bride antibasculement.



Pied de la cuisinière

10. Pour vérifier que la bride est bien engagée, consulter la section « Vérifier que la bride anti-basculement est bien installée et engagée ».
11. Vérifier que la cuisinière est d'aplomb.

SEGURIDAD DE LA ESTUFA

ADVERTENCIA: Si no sigue al pie de la letra la información en estas instrucciones, se puede producir un incendio o una explosión, lo que causaría daños a la propiedad, lesiones personales o la muerte.

- No almacene ni use gasolina u otros vapores y líquidos inflamables cerca de este ni ningún otro electrodoméstico.
- **QUÉ DEBE HACER SI SIENTE OLOR A GAS**
 - No intente encender ningún electrodoméstico.
 - No toque ningún interruptor eléctrico.
 - No use ningún teléfono en su edificio.
 - Llame inmediatamente a su proveedor de gas desde el teléfono de un vecino. Siga las instrucciones de su proveedor de gas.
 - Si no se puede comunicar con el proveedor de gas, llame a los bomberos.
- La instalación y el servicio deben ser realizados por un instalador competente, una agencia de servicios o el proveedor de gas.

ADVERTENCIA:

Nunca deje la sección de cocción superior de este electrodoméstico sin supervisión.

- No seguir esta advertencia, puede dar como resultado fuego, explosión o quemaduras que pueden causar daño a la propiedad, lesiones personales o la muerte.
- Si se produce un incendio, manténgase alejado del electrodoméstico y llame inmediatamente al departamento de bomberos.

NO INTENTE EXTINGUIR UN FUEGO DE ACEITE/GRASA CON AGUA.

La estufa no se volteará durante el uso normal. Sin embargo, la estufa se puede voltear si aplica mucha fuerza o peso sobre la puerta abierta sin tener el soporte antivuelco sujeto al piso adecuadamente.

ADVERTENCIA

Peligro de vuelco

Un niño o un adulto puede volcar accidentalmente la estufa y resultar muerto.

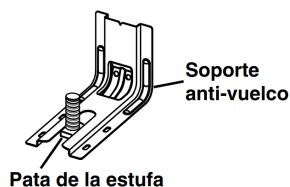
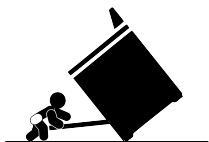
Instale el soporte antivuelco fijado al piso o a la pared según las instrucciones de instalación.

Deslice la estufa hacia atrás de modo que la pata trasera quede enganchada en la ranura del soporte antivuelco.

Si traslada de lugar la estufa, vuelva a asegurar el soporte antivuelco.

No ponga a funcionar la estufa sin tener el soporte antivuelco instalado y asegurado.

No seguir estas instrucciones puede ocasionar la muerte o quemaduras graves en niños y adultos.



Para verificar que el soporte anti-vuelco esté instalado y asegurado:

- Deslice la estufa hacia adelante.
- Verifique que el soporte anti-vuelco esté bien sujeto al piso o a la pared.
- Deslice la estufa de modo tal que la pata trasera quede debajo del soporte anti-vuelco.
- Consulte las instrucciones de instalación para ver más detalles.

ADVERTENCIA: Las pérdidas de gas no siempre se pueden detectar por el olfato.

Los proveedores de gas recomiendan usar un detector de gas aprobado por UL (Laboratorio de normalización) o CSA (Asociación canadiense de seguridad).

Para obtener más información, póngase en contacto con su proveedor de gas.

Si se detecta una fuga de gas, siga las instrucciones de "Pasos que usted debe seguir si huele a gas".

Su seguridad y la de los demás son muy importantes.

Hemos incluido muchos mensajes importantes de seguridad en este manual y en su electrodoméstico. Lea y obedezca siempre todos los mensajes de seguridad.



Este es el símbolo de advertencia de seguridad.

Este símbolo le llama la atención sobre peligros potenciales que pueden ocasionar la muerte o una lesión a usted y a los demás.

Todos los mensajes de seguridad irán a continuación del símbolo de advertencia de seguridad y de la palabra "PELIGRO" o "ADVERTENCIA". Estas palabras significan:

PELIGRO

Usted puede morir o sufrir una lesión grave si no sigue de inmediato las instrucciones.

ADVERTENCIA

Si no sigue las instrucciones, puede morir o sufrir una lesión grave.

Todos los mensajes de seguridad le dirán cuál es el peligro potencial, cómo reducir las posibilidades de sufrir una lesión y lo que puede suceder si no se siguen las instrucciones.

IMPORTANTE: no instale un sistema de ventilación que sople aire hacia abajo dirigido hacia este aparato de cocción a gas. Este tipo de sistema de ventilación puede ocasionar problemas de encendido y combustión con este aparato de cocción a gas, lo que puede resultar en heridas a personas o en un funcionamiento no deseado del aparato.

En el estado de Massachusetts se aplican las siguientes instrucciones de instalación:

- Las instalaciones y reparaciones deben realizarse con un contratista, plomero o fontanero calificado o autorizado por el estado de Massachusetts.
- Dispositivos de cierre aceptables: las llaves de gas y las válvulas de bola instaladas para el uso deben estar en la lista.
- Si se usa un conector de gas flexible, no debe exceder de los 4 pies (121.9 cm).

INSTRUCCIONES IMPORTANTES DE SEGURIDAD

ADVERTENCIA: Para reducir el riesgo de incendio, choque eléctrico o lesiones personales al usar el electrodoméstico, siga precauciones básicas, entre ellas las siguientes:

■ **ADVERTENCIA:** PARA REDUCIR EL RIESGO DE VUELCO DE LA ESTUFA, LA MISMA DEBE ASEGURARSE CON LA INSTALACIÓN ADECUADA DE DISPOSITIVOS ANTIVUELCO. PARA VERIFICAR SI LOS DISPOSITIVOS ESTÁN INSTALADOS ADECUADAMENTE, DESLICE LA ESTUFA HACIA ADELANTE, REVISE QUE EL SOPORTE ANTIVUELCO ESTÉ BIEN SUJETO AL PISO O A LA PARED Y DESLICE LA ESTUFA HACIA ATRÁS DE MODO QUE LA PATA TRASERA QUEDE DEBAJO DEL SOPORTE ANTIVUELCO.

ADVERTENCIA

NUNCA use este electrodoméstico como calefactor de ambientes para calentar o entibiar la habitación. El hacerlo puede causar intoxicación por monóxido de carbono y sobrecalentamiento del horno.

ADVERTENCIA

NUNCA cubra ranuras, orificios o pasajes en la parte inferior del horno ni cubra una parrilla entera con materiales tales como papel de aluminio. El hacerlo bloquea el flujo de aire en el horno y puede causar intoxicación por monóxido de carbono. Los forros de papel de aluminio también pueden atrapar el calor y provocar un riesgo de incendio.

- **PRECAUCIÓN:** No almacene artículos que interesen a los niños en los armarios que estén encima de un electrodoméstico o en el soporte de un electrodoméstico; al trepar los niños encima del electrodoméstico para alcanzar algún objeto, podrían sufrir una lesión grave.
- No deje a los niños solos: no se debe dejar a los niños sin supervisión en el área donde el electrodoméstico esté en uso. Jamás se les debe permitir que se sienten ni se paren en parte alguna del electrodoméstico.
- Use ropa apropiada: nunca debe ponerse ropa holgada o que quede colgando mientras esté usando el electrodoméstico.
- Servicio del usuario: no repare ni reemplace pieza alguna del electrodoméstico a menos que se recomiende específicamente en el manual. Cualquier otro servicio se debe dejar en las manos de un técnico competente.
- Almacenaje en o sobre el electrodoméstico: los materiales inflamables no deben almacenarse en el horno o cerca de las unidades exteriores.
- Este electrodoméstico no ha sido diseñado para almacenar objetos.
- No use agua en incendios provocados por grasa: el incendio o la llama o use un extinguidor de tipo espuma o químico seco.
- Use solo agarradores que estén secos: los agarradores húmedos o mojados en las superficies calientes pueden ocasionar quemaduras por vapor. No deje que el agarrador toque los elementos calefactores calientes. No use una toalla ni otros paños voluminosos.
- Nunca deje sin supervisión las unidades exteriores a fuego alto: los derrames por ebullición ocasionan salpicaduras grasosas y humeantes que pueden incendiarse.

- Utensilios de cocina vidriados: sólo algunos tipos de utensilios de vidrio, vitrocerámica, cerámica, loza de barro u otros utensilios vidriados son adecuados para uso en la superficie de cocción sin que se rompan debido a cambios repentinos de temperatura.
- Los mangos de los utensilios deben colocarse hacia adentro y no deben extenderse hasta las unidades exteriores adyacentes: para reducir riesgos de quemaduras, incendio de materiales inflamables y salpicaduras debido a contacto accidental con el utensilio, el mango del utensilio debe colocarse hacia adentro y no debe extenderse hasta las unidades exteriores adyacentes.
- Desconecte el suministro eléctrico antes de realizar el servicio.
- Este electrodoméstico está equipado con un enchufe de puesta a tierra de tres terminales para protegerlo contra el peligro de choque eléctrico, y deberá enchufarse directamente en un contacto debidamente puesto a tierra. No corte ni quite la terminal de puesta a tierra de este enchufe.
- Instalación correcta: el electrodoméstico, cuando se instale, deberá conectarse a tierra de acuerdo con los códigos locales, o en la ausencia de códigos locales, con el *Código Nacional Eléctrico, ANSI/NFPA 70* o el *Código Canadiense de Electricidad, CSA C22.1-02*. En Canadá, el electrodoméstico se debe conectar a tierra de acuerdo con el Código Canadiense de Electricidad. Cerciórese de que la instalación y puesta a tierra del electrodoméstico sean efectuadas adecuadamente por un técnico calificado.
- Pueden ocasionarse lesiones por el uso indebido de las puertas o cajones del electrodoméstico, como puede ser pisar, apoyarse o sentarse sobre las puertas o cajones.
- Mantenimiento: mantenga el área de la estufa limpia y libre de materiales combustibles, gasolina y otros vapores y líquidos inflamables.
- Deberá ajustarse el tamaño de la llama del quemador superior de modo que no se extienda más allá del borde del recipiente de cocción. Esta instrucción se basa en consideraciones de seguridad.
- No use piezas de repuesto que no hayan sido recomendadas por el fabricante (por ejemplo, piezas hechas en casa con una impresora 3D).
- Limpie la superficie de cocción con cuidado: si usa una esponja o un paño mojado para limpiar los derrames en un área de cocción caliente, tenga cuidado para evitar quemaduras por vapor. Algunos productos de limpieza pueden producir gases nocivos al ser aplicados en una superficie caliente.
- Tenga cuidado al abrir la puerta: deje que salga el aire caliente o el vapor antes de quitar o volver a colocar alimentos.
- No ponga a calentar recipientes de alimentos cerrados: la acumulación de presión puede hacer que el recipiente explote y ocasione lesiones.
- Mantenga los ductos de ventilación del horno sin obstrucciones.

GUARDE ESTAS INSTRUCCIONES

INSTRUCCIONES IMPORTANTES DE SEGURIDAD

- **NO TOQUE LOS ELEMENTOS CALEFACTORES NI LAS SUPERFICIES INTERIORES DEL HORNO:** los elementos calefactores podrían estar calientes, incluso si su color es oscuro. Las superficies interiores de un horno se calientan lo suficiente como para causar quemaduras. Durante y después del uso, no toque ni deje que la ropa u otros materiales inflamables toquen los elementos calefactores ni las superficies interiores del horno hasta que haya transcurrido tiempo suficiente para que se enfríen. Otras superficies del electrodoméstico pueden calentarse lo suficiente como para causar quemaduras: entre esas superficies están los orificios de ventilación del horno y las superficies cercanas a esos orificios, las puertas del horno y las ventanas de las puertas del horno.
- Se debe tener cuidado para evitar que el papel aluminio y las sondas para carne entren en contacto con los elementos calefactores.

Para las estufas con autolimpieza:

- **PRECAUCIÓN:** NO DEJE ALIMENTOS O UTENSILIOS PARA COCINAR, ETC., EN EL HORNO DURANTE EL MODO DE FUNCIONAMIENTO AUTOLIMPIEZA PIROLÍTICA.
- No limpie la junta de la puerta: la junta de la puerta es esencial para un cierre hermético. Deberá tenerse cuidado de no frotar, dañar ni mover la junta.

- No use limpiadores para horno: no deberá usarse ningún limpiador para horno comercial ni revestimiento protector para hornos de ninguna clase dentro ni alrededor de ninguna parte del horno.
- Limpie solamente las partes que figuran en el manual.
- Antes de hacer la autolimpieza del horno: quite la charola para asar a la parrilla y otros utensilios. Limpie todos los derrames excesivos antes de iniciar el ciclo de limpieza.

Para unidades con campana de ventilación:

- Limpie las campanas de ventilación con frecuencia: no se debe dejar que la grasa se acumule en la campana o en el filtro.
- Al flamear los alimentos debajo de la campana, encienda el ventilador.

Para estufas y hornos inteligentes habilitados

- Operación remota: este electrodoméstico es configurable para autorizar la operación remota en cualquier momento. No almacene materiales inflamables o artículos sensibles a la temperatura en el interior, en o cerca de la superficie del electrodoméstico.

GUARDE ESTAS INSTRUCCIONES

MANTENIMIENTO Y CUIDADO DE LA ESTUFA

Limpieza general

IMPORTANTE: antes de la limpieza, asegúrese de que todos los controles estén APAGADOS y que el horno y la superficie de cocción estén fríos. Siempre siga las instrucciones de las etiquetas de los productos de limpieza.

En primer lugar, se sugiere el empleo de jabón, agua y una esponja o paño suave, salvo que se indique lo contrario.

SUPERFICIES EXTERIORES DE ESMALTE DE PORCELANA (en algunos modelos)

Los derrames de alimentos que contienen ácidos, como vinagre y tomate, deben limpiarse apenas se enfríe por completo la estufa. Esos derrames pueden afectar el acabado.

Método de limpieza:

- Limpiavidrios, limpiador líquido suave o estropajo no abrasivo: Limpie cuidadosamente alrededor de la placa con el número de modelo/serie/clasificación porque el fregado puede borrar los números.
- Affresh®† para cocina y electrodomésticos, número de pieza W10355010 (no se incluye):
Para obtener información sobre pedidos, consulte la Guía de inicio rápido.

ACERO INOXIDABLE (en algunos modelos)

NOTA: Para evitar daños a las superficies de acero inoxidable, no use estropajos precargados con jabón, productos de limpieza abrasivos, limpiador para superficies de cocción, estropajos de lana de acero, paños de lavar ásperos o toallas de papel abrasivas. Se podrían producir daños en las superficies de acero inoxidable, incluso aunque solo se usen una vez o de forma limitada.

Método de limpieza:

- Frote en la dirección de la veta para evitar daños.
- Limpiador para acero inoxidable affresh®, número de referencia W10355016 (no se incluye):
Para obtener información sobre pedidos, consulte la Guía de inicio rápido.

PINTURA METÁLICA (en algunos modelos)

No use productos de limpieza abrasivos, limpiadores con blanqueador, removedores de óxido, amoníaco ni hidróxido de sodio (lejía), ya que se pueden manchar las superficies pintadas.

TAPAS Y REJILLAS CON REVESTIMIENTO DE PORCELANA

Los derrames de alimentos que contienen ácidos, como vinagre y tomate, deben limpiarse apenas la superficie de cocción, las rejillas y las tapas estén frías. Esos derrames pueden afectar el acabado.

Para evitar las desportilladuras, no golpee las rejillas y las tapas una contra la otra ni contra superficies duras como utensilios de cocina de hierro fundido.

No vuelva a armar las tapas sobre los quemadores mientras estén mojadas. No limpiar durante el ciclo de autolimpieza.

Método de limpieza:

- Estropajo plástico no abrasivo y limpiador abrasivo suave: Limpie la superficie de cocción, las rejillas y las tapas en cuanto se hayan enfriado.
- Lavavajillas (solo las rejillas, no las tapas):
Use el ciclo más potente. Los restos de alimentos cocidos se deben poner en remojo o fregar antes de llevarlos a la lavavajillas.
Si bien las rejillas de los quemadores son duraderas, pueden perder el brillo y/o decolorarse si se lavan en la lavavajillas.
- Limpiador para rejillas a gas y bandejas de goteo, número de referencia 31617 (no incluido):
Para obtener información sobre pedidos, consulte la Guía de inicio rápido.

QUEMADORES DE SUPERFICIE

Los derrames de alimentos que contienen ácidos, como vinagre y tomate, deben limpiarse apenas la superficie de cocción, las rejillas y las tapas estén frías. Esos derrames pueden afectar el acabado.

Para evitar las desportilladuras, no golpee las rejillas y las tapas una contra la otra ni contra superficies duras como utensilios de cocina de hierro fundido.

No vuelva a armar las tapas sobre los quemadores mientras estén mojadas.

No limpiar durante el ciclo de autolimpieza.

No lavar en lavavajillas.

Método de limpieza:

- Estropajo plástico no abrasivo y limpiador abrasivo suave: Limpie la superficie de cocción, las rejillas, los quemadores y las tapas en cuanto se hayan enfriado.
- Limpiador para rejilla a gas y bandeja de goteo (no incluido).

CONTROLES DE LA SUPERFICIE DE COCCIÓN

Para evitar daños en los controles de la superficie de cocción, no use lana de acero, productos de limpieza abrasivos ni productos de limpieza para hornos.

Para evitar daños, no remoje las perillas. Cuando vuelva a colocar las perillas, asegúrese de que estén en la posición Off (Apagado).

En algunos modelos, no retire los sellos que hay debajo de las perillas.

Método de limpieza:

- Agua y jabón: Tire de las perillas en sentido recto para retirarlas del panel de control

PANEL DE CONTROL Y EXTERIOR DE LA PUERTA DEL HORNO

Para evitar daños en el panel de control, no use productos de limpieza abrasivos, estropajos de lana de acero, paños de lavar ásperos ni toallas de papel abrasivas.

Método de limpieza:

- Limpiavidrios y un paño o una esponja suave: Aplique el limpiavidrios en una esponja o paño suave, no directamente sobre el panel.
- Affresh® para cocina y electrodomésticos, número de pieza W10355010 (no se incluye):
Para obtener información sobre pedidos, consulte la Guía de inicio rápido.

†affresh® es una marca registrada de Whirlpool, U.S.A.

PARRILLAS DEL HORNO

Método de limpieza:

- Estropajo de lana de acero.
- Para las parrillas que se han decolorado y que no se deslizan con facilidad, la aplicación de una capa delgada de aceite vegetal a las guías de la parrilla hará que se deslicen con más facilidad.
- Lavavajillas (solo para el depósito de agua de la parrilla de vapor, no las demás parrillas): Si bien el depósito de agua es resistente, puede perder el brillo y/o cambiar de color si se lo lava en lavavajillas

CAJÓN DE ALMACENAMIENTO (en algunos modelos)

Verifique que el cajón de almacenamiento esté frío y vacío antes de limpiarlo.

Método de limpieza:

- Detergente suave

CAVIDAD DEL HORNO

No use productos de limpieza para hornos.

Los derrames de alimentos deben limpiarse cuando el horno se enfría. A altas temperaturas, los alimentos reaccionan con la porcelana. Esto puede dar lugar a manchas, marcas, picaduras o manchas blancas tenues.

Método de limpieza:

- Ciclo de autolimpieza: Consulte primero la sección "Ciclo de autolimpieza" o "Ciclo de limpieza".

Ciclo de autolimpieza

⚠ ADVERTENCIA



Peligro de quemaduras

No toque el horno durante el ciclo de Autolimpieza.

Mantenga a los niños lejos del horno durante el ciclo de Autolimpieza.

No seguir estas instrucciones podría ocasionar quemaduras.

IMPORTANTE: La salud de algunos pájaros es sumamente sensible a los gases emanados durante el ciclo de autolimpieza. La exposición a las emanaciones puede ocasionar la muerte de ciertas aves. Siempre traslade las aves a otra habitación cerrada y bien ventilada.

Mantenga la cocina bien ventilada durante el ciclo de autolimpieza; esto ayudará a que haya menos calor, olores y humo.

No bloquee las ventilaciones del horno durante el ciclo de autolimpieza. El aire debe moverse con libertad. En función de su modelo, consulte "Ventilación del horno" o "Ventilaciones del horno" en su Guía de inicio rápido.

No limpie, frote, dañe ni mueva la junta de la puerta del horno.

Prepare la estufa

- Retire la charola para asar, la parrilla, los utensilios de cocina y los de hornear, todos los utensilios de cocción, las parrillas del horno, el papel de aluminio y, en algunos modelos, la sonda de temperatura del horno.
- Use un paño húmedo para limpiar el borde interior de la puerta y el área de 1 1/2" (3,8 cm) alrededor del marco de la cavidad interna del horno, con cuidado de no mover ni doblar la junta.
- Limpie cualquier suciedad que esté suelta para reducir el humo y evitar daños. A altas temperaturas, los alimentos reaccionan con la porcelana. Esto puede dar lugar a manchas, marcas, picaduras o manchas blancas tenues. Esto no afectará los resultados de la cocción.
- Retire los objetos de plástico de la superficie de cocción, ya que pueden derretirse.
- Saque todos los objetos del cajón de almacenamiento.

Funcionamiento del ciclo

IMPORTANTE: Si la porcelana se calienta o se enfría sobre el acero en el horno, se puede producir cambio de color, pérdida de brillo, pequeñas fisuras y sonidos de estallido.

Antes de la autolimpieza, asegúrese de que la puerta esté completamente cerrada; de lo contrario, no se bloqueará ni comenzará el ciclo de autolimpieza.

El ciclo de autolimpieza usa temperaturas muy altas que queman la suciedad, convirtiéndola en ceniza.

Una vez que se haya enfriado el horno por completo, quite las cenizas con un paño húmedo. Para evitar la rotura del vidrio, no le aplique un paño húmedo y frío al vidrio interior de la puerta antes de que se haya enfriado por completo.

Para detener el ciclo de autolimpieza en cualquier momento, presione la tecla Cancel (Cancelar). Si la temperatura es demasiado alta, la puerta del horno permanecerá bloqueada y aparecerán en la pantalla "cool" (enfriamiento) y "(símbolo de bloqueo)". El ventilador de enfriamiento puede continuar funcionando.

Cuando aparece la luz indicadora de "DOOR LOCK" (Bloqueo de puerta) en la pantalla, no se puede abrir la puerta del horno. Para evitar daños a la puerta, no la fuerce para abrirla si aparece la luz indicadora de "DOOR LOCK" (Bloqueo de puerta) en la pantalla.

Una vez que se haya alcanzado la temperatura para la limpieza, el control electrónico requiere que transcurran 12 horas antes de poder comenzar otro ciclo de autolimpieza.

La luz del horno no funcionará durante el ciclo de autolimpieza.

Control electrónico del horno con tiempo de limpieza ajustable (en algunos modelos)

El ciclo de autolimpieza puede ajustarse entre 2 horas y 30 minutos y 4 horas y 30 minutos en incrementos de 15 o 30 minutos. Los tiempos de limpieza sugeridos son de 2 horas y 30 minutos para suciedad ligera y de 4 horas y 30 minutos para suciedad intensa. Los últimos 30 minutos del ciclo son para el enfriamiento.

Para usar la autolimpieza:

1. Presione SELF CLEAN (Autolimpieza).
2. Presione las teclas de flecha "+" o "-" de Temp/Time (Temperatura/Tiempo) para ingresar el tiempo deseado para el ciclo de autolimpieza.
3. Presione START (Inicio).

Las puertas de los hornos se bloquearán automáticamente. Aparecerán en la pantalla las luces indicadoras de DOOR LOCKED (Puerta bloqueada) y CLEAN (Limpiar). También aparecerá en la pantalla el tiempo restante.

4. Cuando se haya terminado el ciclo de autolimpieza y el horno se enfríe, se apagarán las luces indicadoras de DOOR LOCKED (Puerta bloqueada) y CLEAN (Limpiar).
5. Una vez que se haya enfriado el horno por completo, quite las cenizas con un paño húmedo.
Para salir del ciclo de limpieza antes de que se complete, presione CANCEL (Cancelar). La puerta se desbloqueará una vez que se enfríe el horno.

INSTRUCCIONES DE INSTALACIÓN REQUISITOS

Herramientas y piezas

Reúna las herramientas y las piezas necesarias antes de comenzar la instalación. Lea y siga las instrucciones provistas con cualquiera de las herramientas detalladas aquí.

Herramientas necesarias

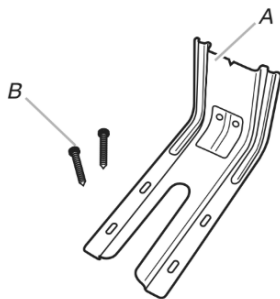
- Cinta métrica
- Destornillador de cabeza plana
- Destornillador Phillips
- Destornillador de cabeza plana de 1/8"
- Nivel
- Taladro manual o eléctrico
- Martillo
- Llave o pinzas
- Llave para tubería
- Llave de combinación de 15/16"
- Trinquete de accionamiento de 1/4"
- Llave para tuercas de 3/8"
- Broca de 1/8" (para pisos de madera)
- Marcador o lápiz
- Compuesto para unión de tuberías resistente a gas propano
- Solución para detectar fugas no corrosiva
- Broca de taladro para mampostería de 3/16" (4,8 mm)
(para pisos de hormigón/cerámica)
(Para estufas deslizables/con control frontal)
- Llave de combinación de 3/8"
- Llave de combinación de 1/2"
- Llave de combinación de 5/8"
- Llave para tuercas de 5/16"
- Destornillador Quadrex[†] o destornillador Phillips
- Cinta adhesiva protectora
- Llave para tuercas de 3/8"
(Para estufas deslizables/con control frontal)

Para las conversiones a gas natural/propano

- Llave de combinación de 3/8"
- Llave de combinación de 1/2"
- Llave de combinación de 5/8"
- Llave para tuercas de 5/16"
- Destornillador Quadrex[†] o destornillador Phillips
- Cinta adhesiva protectora
- Llave para tuercas de 3/8"
(Para estufas deslizables/con control frontal)

Piezas suministradas

Verifique que estén todas las piezas.



A. Soporte antivuelco
B. Tornillos n.º 12 x 1⁵/₈" (4,1 cm) (2)

El soporte antivuelco debe estar montado firmemente al piso o a la pared. Según el espesor del piso, es posible que sea necesario utilizar tornillos más largos para sujetar el soporte al piso.

Piezas necesarias

Verifique los códigos locales y consulte con el proveedor de gas. Verifique el suministro de gas y el suministro eléctrico existentes. Consulte las secciones "Requisitos eléctricos" y "Requisitos del suministro de gas".

NOTA: Asegúrese de comprar únicamente piezas y accesorios Whirlpool certificados de fábrica para su electrodoméstico. Su instalación puede requerir piezas adicionales. Para pedir las, consulte la información de contacto que figura en la Guía rápida para comenzar.

Requisitos de ubicación

IMPORTANTE: Respete todos los códigos y las ordenanzas vigentes. No obstruya el flujo de aire para la combustión y la ventilación.

- Es responsabilidad del instalador cumplir con los espacios de instalación especificados en la placa que indica modelo/serie/valores nominales. La placa que indica modelo/serie/valores nominales está detrás de la puerta del horno, en la parte superior del lado izquierdo/derecho del marco del horno.
- La estufa debe ubicarse en un lugar conveniente para su uso.
- Las instalaciones empotradas deben dejar completamente encerrados los lados y la parte posterior de la estufa.
- Todas las aberturas en la pared o en el piso en donde se instalará la estufa deben estar selladas.
- Deben usarse las dimensiones de la abertura del gabinete que se muestran. Las dimensiones proporcionadas son los espacios mínimos.
- Debe instalarse el soporte antivuelco. Para instalar el soporte antivuelco enviado con la estufa, consulte la sección "Instalación del soporte antivuelco".
- Se requiere un suministro eléctrico conectado a tierra. Consulte la sección "Requisitos eléctricos".
- Debe haber una conexión adecuada de suministro de gas. Consulte la sección "Requisitos del suministro de gas".
- Póngase en contacto con un instalador de revestimiento de pisos competente para verificar que el revestimiento del piso pueda soportar por lo menos 200 °F (93 °C).
- Use una almohadilla aislante o una madera laminada de 1/4" (6,4 mm) debajo de la estufa si la va a instalar sobre una alfombra.

IMPORTANTE: Para evitar daños a los gabinetes, consulte al constructor o al proveedor de los gabinetes para asegurarse de que los materiales empleados no cambien de color, no se desprenda el laminado ni sufran ningún otro tipo de daño. Este horno fue diseñado de acuerdo con los requisitos de UL y CSA International y cumple con las temperaturas máximas permitidas para gabinetes de madera de 194 °F (90 °C).

[†]Quadrex[®] es una marca comercial registrada de NLW Holdings, Inc.

Requisitos de instalación adicionales para casas rodantes

La instalación de esta estufa debe ajustarse a la Norma para la construcción y la seguridad de casas fabricadas, título 24 CFR, parte 3280 (antes, Norma federal para la construcción y la seguridad de casas rodantes, título 24, HUD parte 280). Cuando no sea aplicable esa norma, use la Norma para instalaciones en casas fabricadas, ANSI A225.1/NFPA 501A o cumpla los códigos locales. En Canadá, la instalación de esta estufa debe hacerse conforme con las normas vigentes de CAN/CSA-Z240.1- su edición más reciente o con los códigos locales.

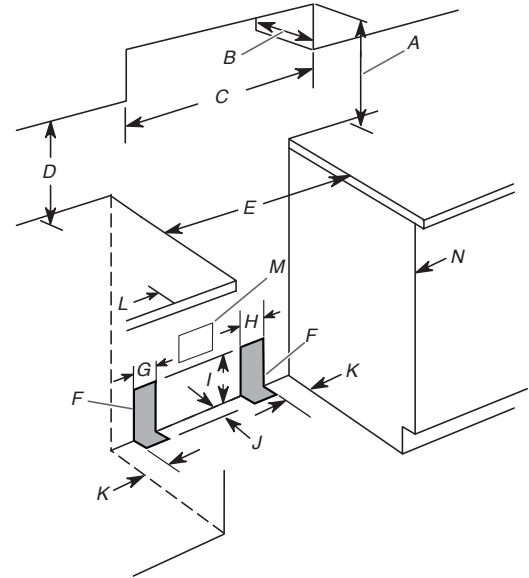
Las instalaciones en casas rodantes requieren lo siguiente:

- Cuando se instale esta estufa en una casa rodante, deberá asegurarse según las instrucciones de este documento. Cualquier método de fijación de la estufa es adecuado en tanto cumpla con las normas antes indicadas.

Dimensiones del gabinete

Las dimensiones de abertura del gabinete que se muestran son para una profundidad de mostrador de 25" (64,0 cm), una profundidad del gabinete de la base de 24" (61,0 cm) y una altura del mostrador de 36" (91,4).

IMPORTANTE: Si va a instalar una campana de estufa o una combinación de microondas y campana sobre la superficie de cocción, siga las instrucciones de instalación incluidas con la campana para estufa o la combinación de microondas y campana para las medidas de espacio sobre la superficie de cocción.



- A. Para ver el espacio mínimo hasta la parte superior de la superficie de cocción, consulte la NOTA*.
- B. 13" (33 cm) profundidad máx. del gabinete superior
- C. 30" (76,2 cm) ancho mínimo de apertura
- D. 18" (45,7 cm) distancia del gabinete lateral superior al mostrador
- E. 30" (76,2 cm) ancho mínimo de apertura
- F. Se recomiendan las áreas sombreadas para la instalación de tubería de gas rígida.
- G. 4 1/2" (11,4 cm)
- H. 8" (20,3 cm)
- I. 17" (43,2 cm)
- J. 2" (5,1 cm)
- K. 4 1/2" (11,4 cm)
- L. 3" (7,6 cm) espacio mín. desde ambos lados de la estufa hasta la pared lateral u otro material combustible.
- M. Tomacorriente con conexión a tierra
- N. La puerta o las bisagras del gabinete no deben extenderse dentro del área del recorte.

***NOTA:** 24" (61,0 cm) como mínimo cuando la base del gabinete de madera o de metal esté protegida por madera moldeada retardante de llama de al menos 1/4" (6,35 mm), cubierta con una lámina de acero no inferior a N.º 28 MSG, acero inoxidable de 0,015" (0,4 mm), aluminio de 0,024" (0,6 mm) o cobre de 0,020" (0,5 mm). 30" (76,2 cm) de espacio mínimo entre la parte superior de la superficie de cocción y la base de un gabinete de madera o metal descubierto.

Requisitos eléctricos

ADVERTENCIA



Peligro de choque eléctrico

Conecte a un tomacorriente con conexión a tierra de 3 terminales.

No quite el terminal de conexión a tierra.

No use un adaptador.

No utilice un cable de extensión.

No seguir estas instrucciones puede ocasionar la muerte, un incendio o un choque eléctrico.

IMPORTANTE: La estufa debe tener una conexión de electricidad a tierra de acuerdo con los códigos y las ordenanzas locales o, en ausencia de códigos locales, con el Código nacional de electricidad (National Electrical Code), ANSI/NFPA 70 o el Código canadiense de electricidad (Canadian Electrical Code), CSA C22.1.

Esta estufa está equipada con un sistema de encendido electrónico que no funcionará si se enchufa en un tomacorriente que no está debidamente polarizado.

Si los códigos lo permiten y se emplea un cable de conexión a tierra separado, es recomendable que un instalador eléctrico competente determine si la ruta de conexión a tierra es adecuada.

Puede obtener una copia de los códigos antes indicados en:
National Fire Protection Association
1 Batterymarch Park
Quincy, MA 02169-7471

CSA International
8501 East Pleasant Valley Road
Cleveland, OH 44131-5575

- Se necesita un circuito eléctrico de 120 V, 60 Hz, CA solamente, protegido con fusible de 15 A, con conexión a tierra y polarizado. También se recomienda usar un fusible retardador o disyuntor. Se recomienda el uso de un circuito independiente que preste servicio únicamente a esta estufa.
- Los sistemas de encendido electrónico funcionan dentro de límites de tensión amplios, pero se debe tener la conexión a tierra y polaridad correctas. Verifique que el tomacorriente tenga capacidad para 120 V y que esté debidamente conectado a tierra.
- No es necesario enchufar esta estufa en un tomacorriente con GFCI (disyuntor diferencial). Se recomienda no enchufar una estufa con encendido con chispa eléctrica ni ningún otro electrodoméstico importante en un tomacorriente de pared con GFCI ya que puede causar la desconexión del GFCI durante el funcionamiento normal.
- El rendimiento de esta estufa no se verá afectado si funciona en un circuito protegido con un GFCI. Sin embargo, se puede producir el inconveniente de la desconexión ocasional del disyuntor GFCI debido a la naturaleza del funcionamiento normal de las estufas de gas electrónicas.

NOTA: El armazón de metal de la estufa deberá conectarse a tierra para que funcione el panel de control. Si no se lo conecta a tierra, ningún botón funcionará. Verifique con un electricista calificado si tiene dudas acerca de si el armazón de la estufa está conectado a tierra.

Requisitos del suministro de gas

ADVERTENCIA



Peligro de explosión

Use una línea de suministro de gas nueva con aprobación de CSA International.

Instale una válvula de cierre.

Apriete firmemente todas las conexiones de gas.

Si se conecta a un suministro de gas propano, una persona calificada debe verificar que la presión del gas no exceda una columna de agua de 14" (36 cm).

Ejemplos de una persona calificada incluyen personal de servicio del sistema de calefacción con licencia, personal autorizado de la compañía de gas y personal autorizado para dar servicio.

No seguir esta instrucción puede ocasionar la muerte, explosión o incendio.

Respete todos los códigos y las ordenanzas vigentes.

IMPORTANTE: Esta instalación debe hacerse de acuerdo con todos los códigos y ordenanzas locales. En ausencia de normativa local, la instalación debe realizarse conforme a la ley estadounidense National Fuel Gas Code ANSI Z223.1/NFPA 54 o, en Canada, la ley Natural Gas and Propane Installation Code, CSA B149.1, última edición.

IMPORTANTE: Las pruebas de fugas de la estufa deben efectuarse según las instrucciones del fabricante. Consulte "Conexión completa" en la sección "Hacer una conexión de gas" para ver las instrucciones de pruebas de fugas.

Tipo de gas

Gas natural:

- Esta estufa está preparada de fábrica para usarse con gas natural. Consulte la sección "Conversiones de gas". La placa que indica modelo/serie/valores nominales, ubicada en el marco del horno detrás de la parte superior izquierda de la puerta del horno, contiene información sobre los tipos de gas que puede usar. Si la lista de tipos de gas no incluye el tipo de gas disponible, averigüe con el proveedor de gas de su localidad.

Conversión a gas propano:

La conversión deberá llevarla a cabo un técnico de servicio calificado.

No se deberá hacer intento alguno para convertir el electrodoméstico del gas especificado en la placa indicadora del modelo/de la serie para usarlo con un gas distinto sin consultar con el proveedor de gas. Consulte la sección "Conversiones de gas".

Línea de suministro de gas

- Provea una línea de suministro de gas con tubería rígida de 3/4" (1,9 cm) hasta la ubicación de la estufa. Una tubería de menor tamaño en tendidos más largos puede dar como resultado un suministro de gas insuficiente. Con gas propano, el tamaño de la tubería o los caños puede ser de 1/2" (1,3 cm) como mínimo. Por lo general, los proveedores de gas propano determinan el tamaño y los materiales que deben usarse en el sistema.
- **NOTA:** Deben usarse compuestos para uniones de tubería que sean resistentes a la acción del gas propano. No use cinta TEFLON[†].

Conector flexible de metal para electrodomésticos:

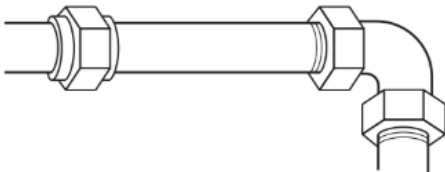
- Si los códigos locales lo permiten, se puede usar un nuevo conector metálico flexible para electrodomésticos de diseño certificado por CSA, de 4 a 5 pies (122 a 152,4 cm) de longitud, 1/2" (13 mm) o 3/4" (19 mm) de diámetro interno, para conectar la estufa a la línea de suministro de gas.



- Se necesita una rosca de tubo macho de 1/2" (13 mm) para conectar las roscas de tubo hembra de la entrada al regulador de presión del electrodoméstico.
- No fuerce ni dañe la tubería de metal flexible cuando mueva la estufa.

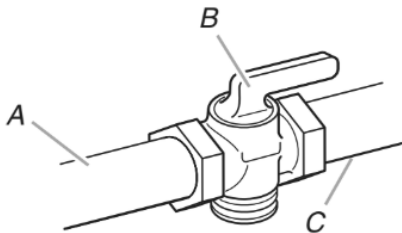
Conexión de tubería rígida:

La conexión de tubería rígida requiere una combinación de accesorios de tubería para obtener una conexión en línea hacia la estufa. La tubería rígida deberá estar nivelada con la conexión de la estufa. Deberán quitarse todas las torceduras de las líneas de suministro y de combustible para que la estufa esté nivelada y alineada.



- Debe incluir una válvula de cierre:

Instale una válvula de cierre manual para líneas de gas en un lugar de fácil acceso. No bloquee el acceso a la válvula de cierre. La válvula es para abrir o cerrar el suministro de gas a la superficie de cocción.



- A. Línea de suministro de gas
- B. Válvula de cierre en posición "abierta"
- C. A la estufa

Regulador de presión de gas

Deberá usarse el regulador de la presión de gas suministrado con esta estufa. Para el funcionamiento adecuado, la presión de entrada al regulador deberá ser como se indica a continuación:

Gas natural:

Presión mínima: 5" (12,7 cm) de presión de la columna de agua

Presión máxima: 14" (35,5 cm) de presión de la columna de agua

Gas propano:

Presión mínima: 11" (27,9 cm) de presión de la columna de agua

Presión máxima: 14" (35,5 cm) de presión de la columna de agua

Póngase en contacto con el proveedor de gas local si no está seguro acerca de la presión de entrada.

Requisitos de entrada de los quemadores

Las capacidades nominales de entrada que se muestran en la placa de modelo/serie/valores nominales son para elevaciones de hasta 2000 pies (609,6 m).

Para elevaciones mayores de 2000 pies (609,6 m), los valores nominales se reducen en una proporción del 4 % por cada 1000 pies (304,8 m) por encima del nivel del mar (no es aplicable para Canadá).

Prueba de presión del suministro de gas

La presión del suministro de gas para un regulador de prueba debe tener al menos 1" (2,5 cm) de presión de la columna de agua más que la presión del múltiple que figura en la placa que indica modelo/serie.

Prueba de presión de línea sobre 1/2 psi (3,5 kPa) de manómetro 14" (35,5 cm) de presión de la columna de agua

La estufa y su válvula de cierre individual deben desconectarse del sistema de tubería de suministro de gas durante cualquier prueba de presión efectuada en el sistema con presiones de prueba superiores a 1/2 psi (3,5 kPa).

Prueba de presión de la línea a 1/2 psi (3,5 kPa) de manómetro 14" (35,5 cm) de presión de la columna de agua o menos

Se debe cerrar la válvula de cierre individual manual para aislar la estufa del sistema de tubería de suministro de gas durante cualquier prueba de presión efectuada en el sistema con presiones de prueba igual a 1/2 psi (3,5 kPa) o menos.

[†]TEFLON[®] es una marca comercial registrada de Chemours.

INSTALACIÓN

Desembalaje de la estufa

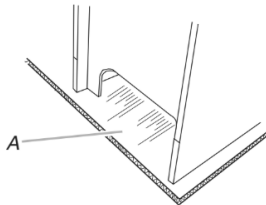
⚠ ADVERTENCIA

Peligro de peso excesivo

Use dos o más personas para mover e instalar o desinstalar el electrodoméstico.

No seguir esta instrucción puede ocasionar lesiones en la espalda o de otro tipo.

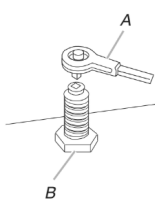
1. Quite los materiales de envío, la cinta adhesiva y la película de la estufa.
2. Saque las parrillas del horno y el paquete de piezas del interior del horno.
3. No quite la base de transporte en este momento.



A. Base de transporte

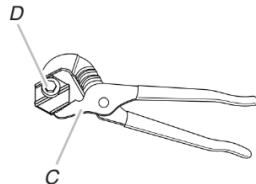
4. En las estufas con un cajón de almacenamiento:

Retire el cajón de almacenamiento. Consulte la sección "Cajón de almacenamiento". Use un trinquete de 1/4" (6,4 mm) para bajar las patas niveladoras traseras media vuelta. Use una llave o pinzas para descender las patas niveladoras delanteras media vuelta.



A. Trinquete de 1/4" (6,4 mm)

B. Pata niveladora trasera



C. Llave o pinzas

D. Pata niveladora delantera

Instalación del soporte antivuelco

⚠ ADVERTENCIA



Peligro de vuelco

Un niño o un adulto puede volcar accidentalmente la estufa y resultar muerto.

Instale el soporte antivuelco fijado al piso o a la pared según las instrucciones de instalación.

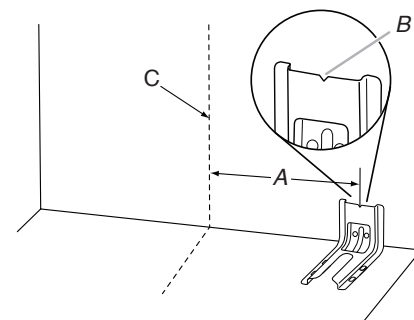
Deslice la estufa hacia atrás de modo que la pata trasera quede enganchada en la ranura del soporte antivuelco.

Si traslada de lugar la estufa, vuelva a asegurar el soporte antivuelco.

No ponga a funcionar la estufa sin tener el soporte antivuelco instalado y asegurado.

No seguir estas instrucciones puede ocasionar la muerte o quemaduras graves en niños y adultos.

1. Retire el soporte antivuelco de donde está pegado con cinta adhesiva dentro del cajón de almacenamiento.
2. Decida qué método de montaje usará: en el piso o en la pared. Si tiene piso de piedra o de mampostería, puede usar el método de montaje en la pared. Si instala la estufa en una casa rodante, deberá fijarla al piso.
3. Determine y marque la línea central del área recortada. Puede instalar el soporte de montaje en el lado izquierdo o derecho del área recortada. Ubique el soporte de montaje contra la pared en el recorte de modo que la muesca en V del soporte esté a 12⁹/₁₆" (31,9 cm) de la línea central como se muestra.



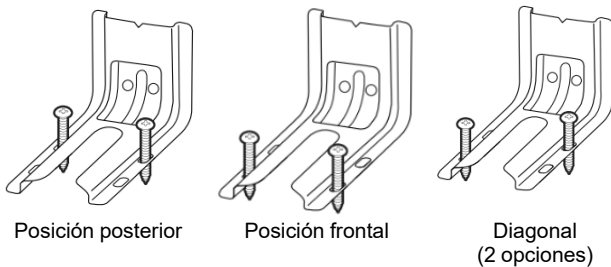
A. 12⁹/₁₆" (31,9 cm)

B. Muesca en V del soporte

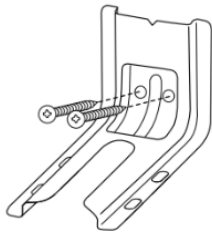
C. Línea central

- Taladre dos orificios de 1/8" (3 mm) que coincidan con los orificios del soporte para el método de montaje que haya determinado. Vea las ilustraciones a continuación.

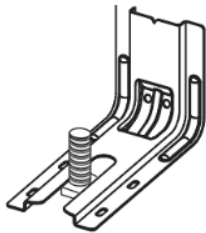
Montaje en el piso



Montaje en la pared



- Con un destornillador Phillips, monte el soporte antivuelco a la pared o al piso con los dos tornillos #12 x 1 5/8" (4,1 cm) suministrados.
- Mueva la estufa lo suficiente cerca de la abertura para permitir que se hagan las conexiones finales de gas y eléctricas. Retire la base de envío, el cartón o la madera de debajo de la estufa.
- Mueva la estufa a su ubicación final, asegurándose de que la pata niveladora trasera se deslice en el soporte antivuelco.



- Mueva la estufa hacia delante sobre la base de envío, el cartón o la madera para continuar instalándola usando las instrucciones de instalación a continuación.

Conexión del suministro de gas

⚠ ADVERTENCIA



Peligro de explosión

Use una línea de suministro de gas nueva con aprobación de CSA International.

Instale una válvula de cierre.

Apriete firmemente todas las conexiones de gas.

Si se conecta a un suministro de gas propano, una persona calificada debe verificar que la presión del gas no exceda una columna de agua de 14" (36 cm).

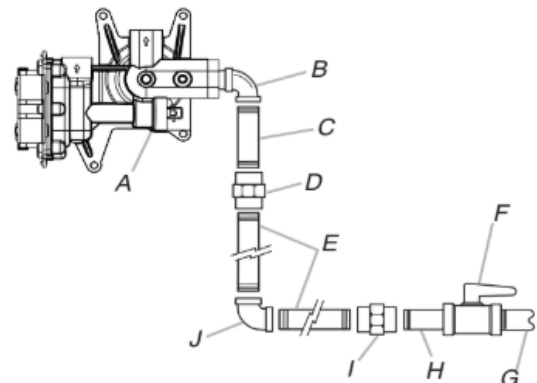
Ejemplos de una persona calificada incluyen personal de servicio del sistema de calefacción con licencia, personal autorizado de la compañía de gas y personal autorizado para dar servicio.

No seguir esta instrucción puede ocasionar la muerte, explosión o incendio.

Conexión de tubería rígida típica

Se debe usar una combinación de tubos de unión para conectar la estufa a la línea de suministro de gas existente. Sus conexiones podrían ser diferentes, de acuerdo al tipo de línea, tamaño y localización del suministro.

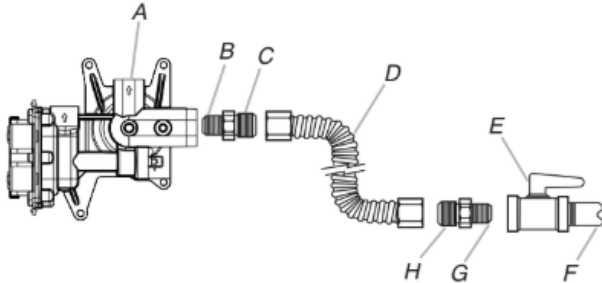
- Aplice compuesto para unión de tuberías apto para el uso con gas propano en los extremos de todas las conexiones roscadas.
- Utilizando una llave para tubería para ajustar, conecte el suministro de gas a la estufa.



- | | |
|---|---|
| A. Regulador de la presión de gas | F. Válvula de gas de cierre manual |
| B. Codo de 90° (debe tener una rosca macho para tubería de 1/3" [1,2 cm]) | G. Tubo de gas de 1/2" (1,3 cm) o 3/4" (1,9 cm) |
| C. Niple | H. Niple |
| D. Unión | I. Unión |
| E. Tubería de hierro negro | J. Codo de 90° |

Conexión flexible típica

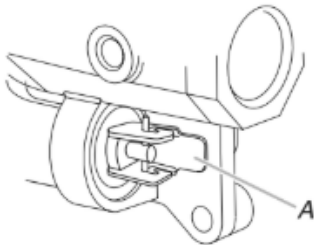
1. Aplique compuesto para unión de tuberías apto para uso con gas propano en los extremos roscados más pequeños de los adaptadores del conector flexible (consulte B y G en la ilustración que sigue).
2. Fije un adaptador al regulador de presión de gas y el otro a la válvula de cierre de gas. Ajuste ambos adaptadores.
3. Use una llave de combinación de 15/16" (23,8 mm) y una pinza ajustable para fijar el conector flexible a los adaptadores. Cerciórese de que el conector no esté torcido.



- | | |
|--|---|
| A. Regulador de la presión de gas | E. Válvula de gas de cierre manual |
| B. Use compuesto para unión de tuberías | F. Tubo de gas de 1/2" (12,7 mm) o 3/4" (19,1 mm) |
| C. Adaptador (debe tener rosca macho para tubería de 1/3" [12,7 mm]) | G. Use compuesto para unión de tuberías |
| D. Conector flexible | H. Adaptador |

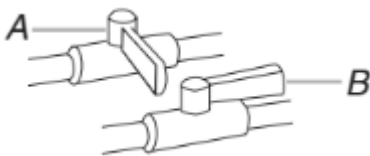
Complete la conexión

1. Verifique que la válvula de cierre del regulador de la presión de gas esté en la posición "on" (Abierta).



A. Válvula de cierre del regulador de presión de gas en la posición "on" (Abierta)

2. Abra la válvula de cierre manual de la línea de suministro de gas. La válvula está abierta cuando la manija está paralela al tubo de gas.

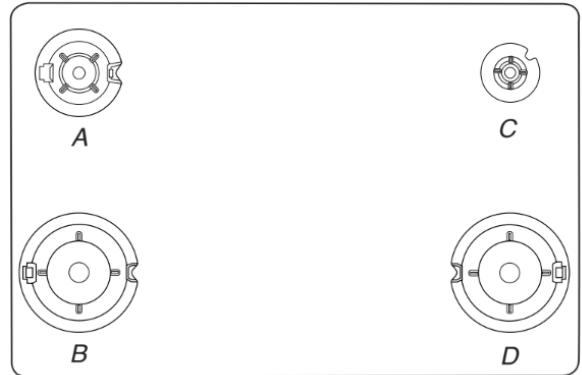


A. Válvula cerrada
B. Válvula abierta

3. Pruebe todas las conexiones aplicando con un pincel una solución aprobada para detección de fugas que no sea corrosiva. Si aparecen burbujas, significa que existe una fuga. Corrija cualquier fuga que encuentre.

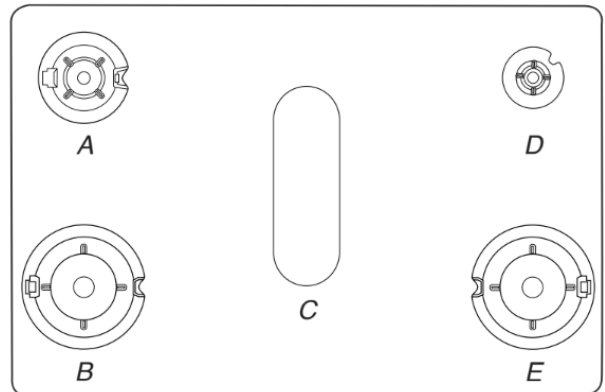
4. Retire las tapas y las bases de los quemadores de la superficie de cocción del empaque que contiene piezas. Coloque las bases de los quemadores como lo indica la ilustración siguiente para su modelo:

Para modelos de 4 quemadores:



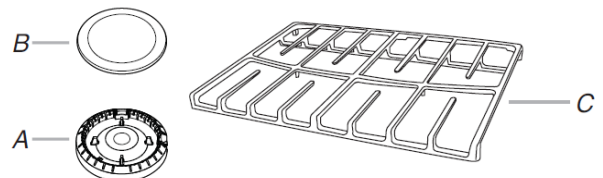
- | | |
|--------------------------|--------------------------|
| A. Mediano (Semirrápido) | C. Pequeño (Auxiliar) |
| B. Grande (Ultrarrápido) | D. Grande (Ultrarrápido) |

Para modelos de 5 quemadores:



- | | |
|--------------------------|--------------------------|
| A. Mediano (Semirrápido) | D. Pequeño (Auxiliar) |
| B. Grande (Ultrarrápido) | E. Grande (Ultrarrápido) |
| C. Ovalado | |

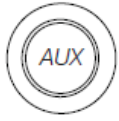
5. Las tapas de los quemadores deben estar niveladas cuando se colocan en la posición correcta. Si las tapas de los quemadores no están en la posición correcta, los quemadores de superficie no se encenderán. Coloque las rejillas de los quemadores sobre los quemadores y las tapas.



- | |
|---------------------------|
| A. Base del quemador |
| B. Tapa del quemador |
| C. Rejillas de quemadores |

- Coloque las tapas de los quemadores sobre las bases de los quemadores apropiados.

IMPORTANTE: Las bases de las tapas pequeñas e intermedias son distintas. No coloque una tapa de quemador sobre la base de quemador equivocada. La tapa de cada quemador redondo está marcada con AUX, SR, UR o ST que coincide con una letra en la base del quemador.



Tapa pequeña
(Auxiliar)



Tapa mediana
(Semirrápido)



Tapa grande
(Ultrarápido)

⚠ ADVERTENCIA



Peligro de choque eléctrico

Conecte a un tomacorriente con conexión a tierra de 3 terminales.

No quite el terminal de conexión a tierra.

No use un adaptador.

No utilice un cable de extensión.

No seguir estas instrucciones puede ocasionar la muerte, un incendio o un choque eléctrico.

- Conecte a un tomacorriente con conexión a tierra de 3 terminales.
- Deslice la estufa hasta su ubicación final y asegúrese de que la pata niveladora posterior se deslice dentro del soporte antivuelco.

Verifique que el soporte antivuelco esté instalado y enganchado

En las estufas con un cajón de almacenamiento:

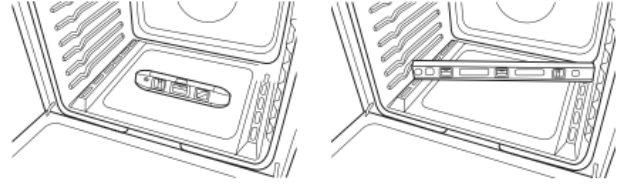
- Retire el cajón de almacenamiento. Consulte la sección "Cajón de almacenamiento".
- Use una linterna para mirar debajo de la parte inferior de la estufa.
- Verifique visualmente que la pata trasera de la estufa esté insertada en la ranura del soporte antivuelco.

Nivelación de la estufa

Para determinar si tiene la tecnología AquaLift® o la limpieza con vapor, consulte la sección "Mantenimiento y cuidado de la estufa".

Para estufas con tecnología AquaLift® o limpieza con vapor:

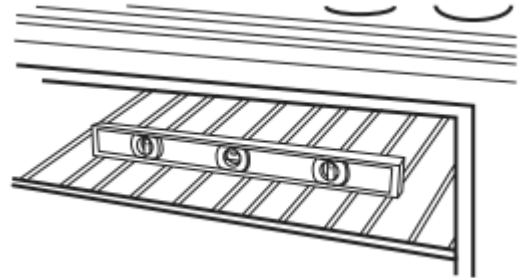
- Coloque un nivel sobre el piso del horno, como se indica en una de las dos figuras a continuación, según el tamaño del nivel. Verifique con el nivel de lado a lado y del frente hacia la parte posterior.



- Si la estufa no está nivelada, jale la estufa hacia adelante hasta quitar la pata niveladora posterior del soporte antivuelco.
- Siga las instrucciones del Estilo 1.

Para estufas con tecnología AquaLift® o limpieza con vapor:

- Coloque una parrilla plana estándar en el horno.
- Coloque el nivel sobre la parrilla y revise el nivel de la estufa, primero de lado a lado y luego de adelante hacia atrás.



- Si la estufa no está nivelada, jale la estufa hacia adelante hasta quitar la pata niveladora posterior del soporte antivuelco.
- Siga las indicaciones del estilo 1, según el estilo de cajón suministrado con la estufa.

Estilo 1: Estufas con cajón de almacenamiento:

Use un trinquete de accionamiento de 1/4" (6,4 mm), una llave o pinzas para regular las patas niveladoras hacia arriba o hacia abajo hasta que la estufa esté nivelada. Empuje la estufa a su posición final. Verifique que la pata niveladora trasera esté enganchada en el soporte antivuelco.

Sistema de encendido electrónico

Encendido inicial y regulación de las llamas de gas

Los quemadores de la superficie de cocción y el horno usan encendedores electrónicos en lugar de pilotos permanentes. Cuando se gira la perilla de control de la superficie de cocción a la posición "LITE" (Encendido), el sistema genera una chispa para encender el quemador. La chispa continuará mientras la perilla de control esté en "LITE" (Encendido).

Cuando gira el control del horno hasta el ajuste deseado, se producen chispas y se enciende el gas.

Verifique el funcionamiento de los quemadores de la superficie de cocción

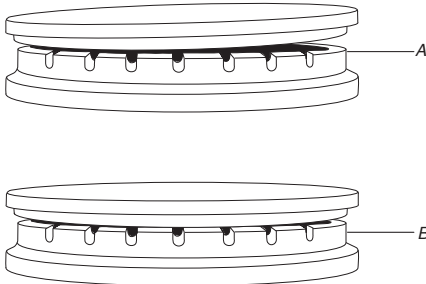
Quemadores de superficie estándar

Empuje hacia adentro y gire cada perilla de control hasta la posición "LITE" (Encendido).

La llama deberá encenderse en menos de 4 segundos. La primera vez que enciende un quemador, puede tardar más de 4 segundos debido a la presencia de aire en la línea de gas.

Si los quemadores no se encienden como es debido:

- Gire la perilla de control de la superficie de cocción hasta la posición "OFF" (Apagado).
- Compruebe que la estufa esté enchufada. Compruebe que el disyuntor no se haya disparado o el fusible de la casa no se haya quemado.
- Verifique que las válvulas de cierre de gas estén en la posición de "abierto".
- Verifique que las tapas de los quemadores estén en la posición correcta sobre las bases.



A. Incorrecto
B. Correcto

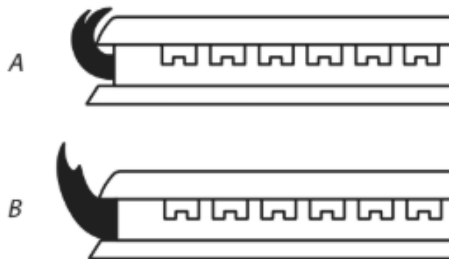
Repita el procedimiento de inicio. Si, en este punto, un quemador no se enciende, gire las perillas de control hasta la posición "OFF" (Apagado) y póngase en contacto con el distribuidor o con una compañía de servicio autorizada para pedir asistencia. Consulte la Guía de inicio rápido para ver la información de contacto.

Corte de corriente

En el caso de un corte de corriente prolongado, los quemadores de la superficie pueden encenderse manualmente. Coloque un cerillo encendido cerca del quemador y gire la perilla en el sentido contrario a las manecillas del reloj hacia LITE. Después de encendido el quemador, gire la perilla al ajuste deseado.

Cómo ajustar la altura de la llama

Regule la altura de la llama de los quemadores superiores. La llama "baja" de los quemadores de la superficie de cocción debe ser azul, estable y de aproximadamente 1/4" (6,4 mm) de altura.

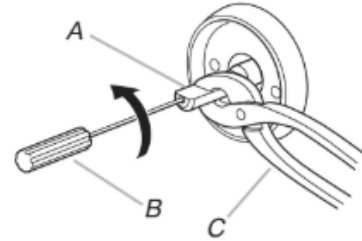


A. Llama baja
B. Llama alta

Para regular quemadores estándar:

La llama puede regularse con el tornillo de regulación que hay en el centro del vástago de la válvula. El vástago de la válvula está directamente debajo de la perilla de control.

Si es necesario regular la llama "baja":



A. Vástago de la perilla de control
B. Destornillador
C. Pinzas

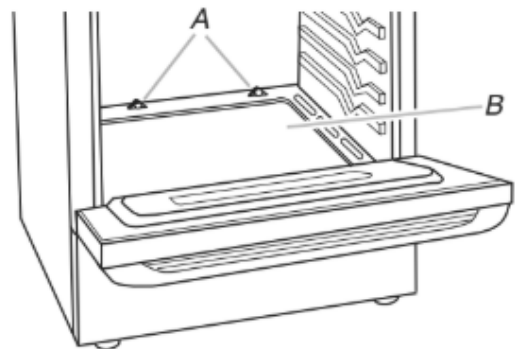
1. Encienda 1 quemador y llévelo hasta el ajuste más bajo.
2. Retire la perilla de control.

Sostenga el vástago de la perilla con una pinza. Use un destornillador pequeño de cabeza plana para girar el tornillo del centro del vástago de la perilla de control hasta que la llama sea del tamaño adecuado.

3. Vuelva a colocar la perilla de control.
4. Pruebe la llama girando el control desde LO (Baja) a HI (Alta), verificando la llama en cada ajuste.
5. Repita los pasos anteriores para cada quemador.

Verifique el funcionamiento del quemador de hornear del horno

1. Saque la parrilla del horno.
2. Para retirar el piso del horno: Retire los 2 tornillos que se encuentran en la parte posterior de la base del horno. Levante la parte posterior de la base del horno hacia atrás hasta que la parte frontal del panel esté fuera del marco frontal. Retire del horno y coloque sobre una superficie cubierta.



A. Tornillos
B. Parte inferior del horno

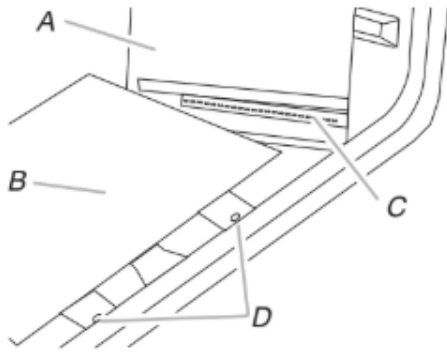
3. Puede verificar la llama quitando el dispersor de llama o con un espejo.

Cómo quitar el dispersor de llama:

Saque los 2 tornillos de las lengüetas frontales del dispersor de llama. Levante la parte frontal del dispersor de llama y jale hacia adelante para quitar las lengüetas de la parte posterior del horno.

Con un espejo:

Inserte un espejo a un lado del quemador. Mire en el espejo para verificar la llama.



- A. Espejo
- B. Propagador de llama
- C. Reflejo de la llama
- D. 2 tornillos

4. Presione la tecla BAKE (Hornear).
5. Presione la tecla START (Inicio).

El quemador para hornear del horno debe encenderse en menos de 8 segundos. En ciertas condiciones, es posible que el quemador demore hasta 50 o 60 segundos en encenderse.

Para encender los quemadores para hornear se usan encendedores electrónicos.

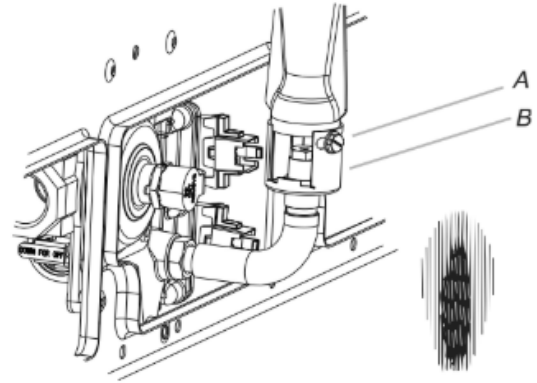
Consulte la Guía de inicio rápido o la Guía de controles para ver el funcionamiento correcto de los controles del horno.

Cómo regular la llama del quemador de hornear del horno (si es necesario)

1. Retire el cajón de almacenamiento. Consulte la sección "Retire/vuelva a colocar el cajón", "Cajón de almacenamiento."
2. Verifique el quemador de hornear del horno para ver si la llama es adecuada.

Esta llama debe tener un cono interno de 1/2" (1,3 cm) de longitud de color verde azulado con un manto externo de color azul oscuro y debe ser nítida y suave. No debe haber llamas con puntas amarillas, explotando ni levantadas.

3. Si necesita ajustar la llama de hornear del horno, ubique el obturador de aire cerca de la parte posterior central de la estufa. Afloje el tornillo de sujeción y rote el obturador de aire hasta que aparezca la llama adecuada. Apriete el tornillo del cerrojo.



- A. Tornillo del cerrojo
- B. Obturador de aire

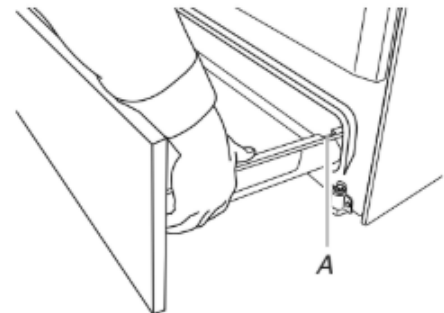
4. Presione CANCEL/OFF (Cancelar/Apagar) cuando termine.
5. Vuelva a instalar el dispersor de llama y la cubierta del quemador de hornear del horno.

Cajón de almacenamiento

El cajón de almacenamiento puede retirarse. Antes de retirarlo, cerciórese de que esté frío y vacío.

Para retirar:

1. Retire el cajón de almacenamiento en sentido recto hasta el tope.



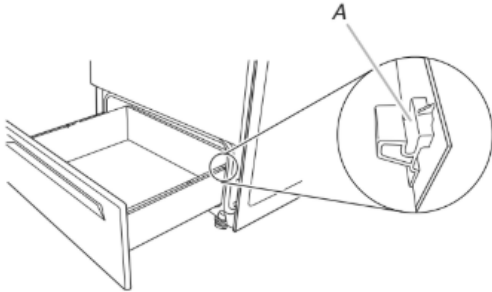
A. Muesca de tope del cajón

2. Levante el frente del cajón y tire del cajón hacia afuera.

Para colocar:

1. Levante el frente del cajón y coloque la parte posterior del cajón dentro de la estufa de modo que la muesca de tope del cajón quede detrás de la guía del cajón.
2. Baje el cajón de modo que el borde del riel de deslizamiento caiga dentro de la ranura en la guía del cajón.

- Empuje lentamente el cajón dentro de la estufa.



A. Enganche la guía del cajón

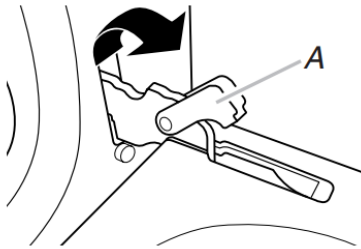
NOTA: cuando están correctamente instaladas, las guías deslizantes posteriores de la base del cajón se engancharán con los rieles de la base y el cajón no se inclinará cuando se coloquen elementos en su interior.

Puerta del horno

Para el uso normal de la estufa, se sugiere no retirar la puerta del horno. Sin embargo, si es necesario quitarla, asegúrese de que el horno esté APAGADO y frío. Después, siga estas instrucciones. La puerta del horno es pesada.

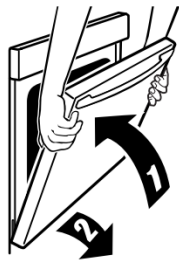
Para retirar:

- Abra por completo la puerta del horno.
- Tome la traba de la bisagra con 2 dedos y tire hacia adelante. Repita en el otro lado de la puerta del horno.



A. Traba de la bisagra

- Cierre la puerta del horno tanto como sea posible.
- Levante la puerta del horno sosteniéndola de ambos lados. Continúe empujando la puerta del horno para cerrarla y sáquela del marco de la puerta del horno.



Para colocar:

- Inserte los dos brazos de suspensión en la puerta.



- Abra la puerta del horno. Debería escuchar un chasquido cuando la puerta queda en su lugar.
- Mueva las palancas de la bisagra nuevamente a la posición trabada. Verifique que la puerta pueda abrirse y cerrarse bien. De lo contrario, repita los procedimientos para retirar y colocar la puerta.

Finalización de la instalación

- Verifique que todas las piezas estén ahora instaladas. Si sobra alguna pieza, repase todos los pasos para averiguar cuál omitió.
- Verifique que tenga todas las herramientas.
- Deseche o recicle todo el material de embalaje.
- Verifique que la estufa esté nivelada. Consulte la sección "Nivelación de la estufa".
- Use una solución suave de limpiador doméstico líquido y agua tibia para quitar el residuo ceroso que deje el material de embalaje. Seque meticulosamente con un paño suave. Para obtener más información, lea la sección "Cuidado y mantenimiento de la estufa".
- Lea la Guía de inicio rápido y la Guía de controles en línea.
- Encienda los quemadores de superficie y el horno. Consulte la Guía de inicio rápido y la Guía de controles en línea para obtener instrucciones específicas sobre el funcionamiento de la estufa.

Si la estufa no funciona, revise lo siguiente:

- Que el fusible de la casa esté intacto y ajustado; o que no se haya disparado el disyuntor.
 - Que la estufa esté enchufada en un tomacorriente de 3 terminales con conexión a tierra.
 - Que la válvula de cierre del regulador de presión de gas esté en la posición "abierta".
 - Que el suministro eléctrico esté conectado.
 - Consulte la sección "Solución de problemas" en línea.
- Cuando la estufa haya estado encendida durante 5 minutos, verifique que haya calor. Si la estufa está fría, apáguela y verifique que la válvula de cierre de la línea de suministro de gas esté abierta.
 - Si la válvula de cierre de la línea de suministro de gas está cerrada, ábrala y repita la prueba de 5 minutos que describimos antes.
 - Si la válvula de cierre de la línea de suministro de gas está abierta, presione el botón CANCEL (Cancelar) en el panel de control del horno y póngase en contacto con un técnico calificado.

Si necesita ayuda o servicio técnico:

Consulte la Guía de inicio rápido para ver la información de contacto.

CONVERSIONES DE GAS

Las conversiones de gas natural a gas propano o de gas propano a gas natural deben ser realizadas por un instalador competente.

⚠ ADVERTENCIA



Peligro de explosión

Use una línea de suministro de gas nueva con aprobación de CSA International.

Instale una válvula de cierre.

Apriete firmemente todas las conexiones de gas.

Si se conecta a un suministro de gas propano, una persona calificada debe verificar que la presión del gas no exceda una columna de agua de 14" (36 cm).

Ejemplos de una persona calificada incluyen personal de servicio del sistema de calefacción con licencia, personal autorizado de la compañía de gas y personal autorizado para dar servicio.

No seguir esta instrucción puede ocasionar la muerte, explosión o incendio.

⚠ ADVERTENCIA:

Este kit de conversión deberá ser instalado por una agencia de servicio competente de acuerdo con las instrucciones del fabricante y con todos los códigos y requisitos aplicables por parte de la autoridad competente. Si no se sigue con exactitud la información de estas instrucciones, puede ocurrir un incendio, explosión o producción de monóxido de carbono, lo que causaría daños a la propiedad, heridas personales o la muerte. La agencia de servicio competente es la responsable de la instalación adecuada de este juego. La instalación no está correcta y terminada hasta que el funcionamiento del electrodoméstico convertido se verifique como se especifica en las instrucciones del fabricante que se suministran con este kit.

Conversión a gas propano

⚠ ADVERTENCIA



Peligro de vuelco

Un niño o un adulto puede volcar accidentalmente la estufa y resultar muerto.

Instale el soporte antivuelco fijado al piso o a la pared según las instrucciones de instalación.

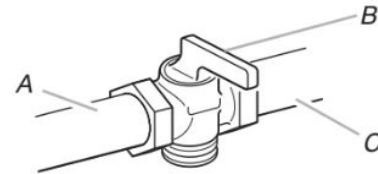
Deslice la estufa hacia atrás de modo que la pata trasera quede enganchada en la ranura del soporte antivuelco.

Si traslada de lugar la estufa, vuelva a asegurar el soporte antivuelco.

No ponga a funcionar la estufa sin tener el soporte antivuelco instalado y asegurado.

No seguir estas instrucciones puede ocasionar la muerte o quemaduras graves en niños y adultos.

1. Gire la válvula de cierre manual hasta la posición cerrada.



- A. A la estufa
- B. Válvula de manual en la posición cerrada
- C. Línea de suministro de gas

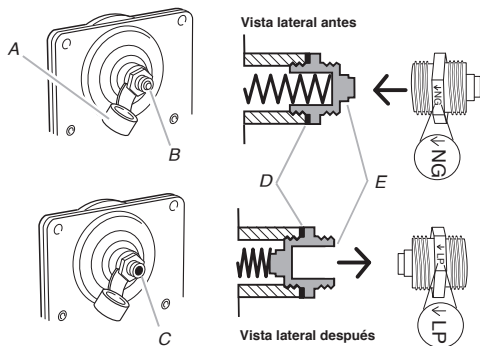
2. Desenchufe la estufa o desconecte el suministro eléctrico.

Para convertir el regulador de presión de gas (de gas natural a gas propano)

1. Retire el cajón de almacenamiento. Consulte la sección "Retire/vuelva a colocar el cajón", "Cajón de almacenamiento."
2. Ubique el regulador de presión de gas en la parte posterior del compartimiento del cajón.
3. Retire la cubierta plástica de la tapa del regulador de presión de gas.

4. Gire la tapa del regulador de presión de gas en sentido antihorario con una llave de combinación de 5/8" (1,6 cm) para retirarla.

NOTA: No quite el resorte que está debajo de la tapa.

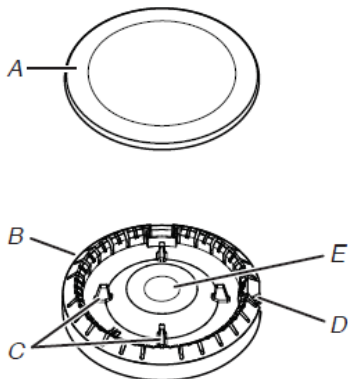


- A. Cubierta de plástico
- B. Tapa del regulador de presión de gas con el extremo macizo mirando hacia fuera
- C. Tapa del regulador de presión de gas con el extremo hueco mirando hacia fuera
- D. Arandela
- E. Tapa del regulador de la presión de gas

5. Invierta la tapa del regulador de presión de gas y vuelva a instalarla sobre el regulador de modo que el extremo macizo mire hacia afuera y la marca "LP" mire en la dirección que se muestra en la ilustración anterior.
6. Vuelva a colocar la cubierta plástica sobre la tapa del regulador de presión de gas.

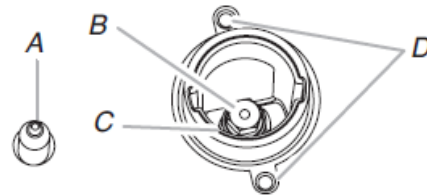
Para convertir quemadores de superficie (de gas natural a gas propano)

1. Retire la tapa del quemador.
2. Retire la base del quemador.



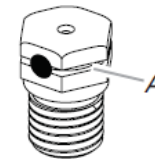
- A. Tapa del quemador
- B. Base del quemador
- C. Espigas de alineación
- D. Electrodo encendedor
- E. Abertura del tubo de gas

3. Aplique cinta adhesiva protectora al extremo de una llave para tuercas de 5/16" (7 mm) para ayudar a mantener el tornillo de los orificios de gas en dicha llave mientras lo cambia. Presione hacia abajo la llave para tuercas sobre el tornillo de los orificios de gas y sáquelo girando en sentido antihorario y levantando hacia afuera. Deje a un lado el tornillo de los orificios de gas.



- A. Electrodo encendedor
- B. Tornillo del orificio
- C. Soporte del tornillo de los orificios
- D. Tornillos

4. Retire los tornillos de los orificios que se envían en el empaque con documentos en el horno. Los tornillos de los orificios de gas tienen grabado un número y tienen una ranura en el área hexagonal. Reemplace el tornillo de los orificios de gas natural con el tornillo de los orificios de gas propano correcto.



- A. Ranura de propano

Consulte la tabla siguiente para conocer la ubicación correcta del tornillo de los orificios de gas propano.

Tabla de tornillos de orificios de gas propano para quemador de superficie

Ubicación	Valor nominal/ tipo de quemador	Tamaño (mm)	Número de identificación
FI	14.200 BTU	1.08	108AM
PI	8000 BTU	0.84	084AM
RF	14.200 BTU	1.08	108AM
RR	5000 BTU	0.64	064AM
CTR	8000 BTU	0.84	084AM

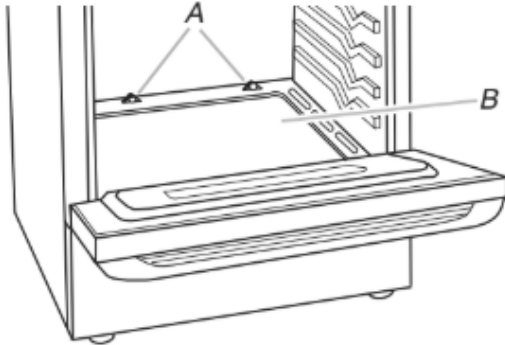
NOTA: Consulte la hoja técnica situada en la cubierta trasera para conocer el valor nominal BTU del quemador individual aplicable por tipo de combustible.

5. Coloque los tornillos de los orificios de gas natural en la bolsa de tornillos de los orificios.

IMPORTANTE: Conserve los tornillos de los orificios de gas natural en caso de que se realice la reinstalación con gas natural.
6. Vuelva a colocar la base del quemador.
7. Vuelva a colocar la tapa del quemador.
8. Repita los pasos 1 a 7 para los quemadores restantes.

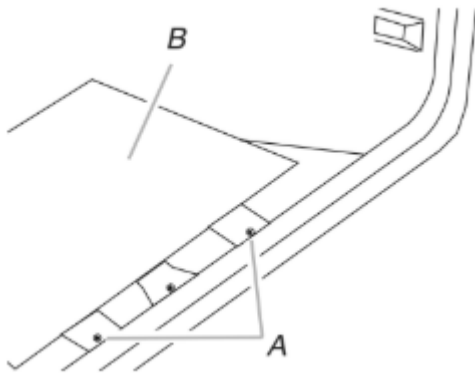
Para convertir el quemador de hornear del horno (de gas natural a gas propano)

1. Saque las parrillas del horno.
2. Retire los 2 tornillos que se encuentran en la parte posterior de la base del horno.
3. Levante la parte posterior de la base del horno hacia atrás hasta que la parte frontal del panel esté fuera del marco frontal. Retire del horno y reserve sobre una superficie cubierta.



A. Tornillos
B. Parte inferior del horno

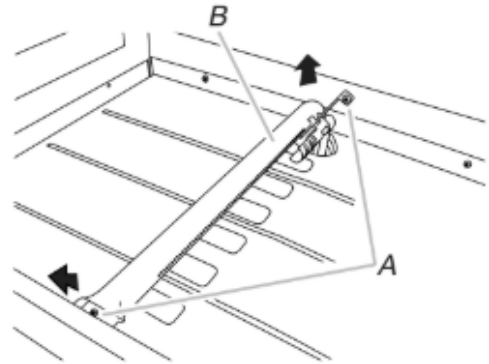
4. Saque los 2 tornillos de las lengüetas frontales del dispersor de llama. Levante la parte frontal del dispersor de llama y jale hacia delante para quitar las lengüetas de la parte posterior del horno. Resérvelas en una superficie cubierta.



A. Tornillos
B. Propagador de llama

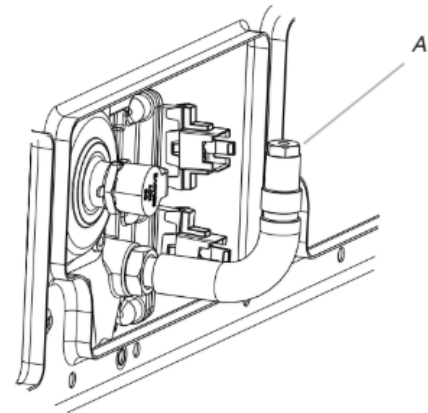
5. Retire 2 tornillos del quemador de hornear.

6. Deslice el frente del quemador de hornear hacia el costado para retirar la lengüeta de la parte frontal del horno. Levante la parte posterior del quemador de hornear fuera del orificio del horno y reserve el quemador de hornear.



A. Tornillos
B. Quemador para hornear

7. Use una llave para tuercas o una llave de combinación de 3/8" (1 cm) y gire en sentido antihorario el tornillo de orificios del quemador de hornear de gas natural para retirarlo. El tornillo tendrá grabado el número "49".
8. Reemplace el tornillo con el "49" por uno con un "57". Para instalar el tornillo de los orificios del quemador de hornear de propano, gírelo en sentido horario hasta que esté firme. **IMPORTANTE:** No ajuste demasiado.



A. Tornillo del orificio

9. Coloque la parte posterior del quemador de hornear sobre el orificio del horno y deslice la lengüeta situada en el frente del quemador de hornear hacia el frente del horno.
10. Vuelva a instalar el quemador de hornear con 2 tornillos.
11. Inserte las pestañas situadas en la parte trasera del dispersor de llama en la parte trasera del horno.
12. Vuelva a conectar ambas lengüetas del dispersor de llama al horno con 2 tornillos.
13. Ubique la parte frontal del panel del piso del horno hacia el marco frontal y baje la parte posterior del panel del piso del horno hacia adentro del horno.
14. Vuelva a instalar el panel del piso del horno con 2 tornillos.

Complete la instalación (de gas natural a gas propano)

1. Consulte la sección "Conexión del suministro de gas" para conectar la estufa correctamente al suministro de gas.
2. Consulte la sección "Sistema de encendido electrónico" para los ajustes apropiados de encendido, funcionamiento y llama del quemador.

IMPORTANTE: Es posible que tenga que regular el ajuste "LO" (Bajo) para cada quemador de la superficie de cocción.

Es muy importante verificar la llama adecuada del quemador de la superficie de cocción y del hornear. El cono interno pequeño debe tener una llama azul bien nítida de 1/4" a 1/2" (de 0,64 cm a 1,3 cm) de longitud. El cono exterior no es tan nítido como el cono interior. Las llamas de gas propano tienen una punta de color ligeramente amarillo.

3. Consulte "Complete la instalación" en la sección "Instrucciones de instalación" de este manual para completar este procedimiento.

NOTA: Asegúrese de revisar los orificios que han sido reemplazados en la conversión.

Conversión a gas natural

⚠ ADVERTENCIA



Peligro de vuelco

Un niño o un adulto puede volcar accidentalmente la estufa y resultar muerto.

Instale el soporte antivuelco fijado al piso o a la pared según las instrucciones de instalación.

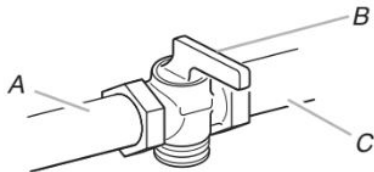
Deslice la estufa hacia atrás de modo que la pata trasera quede enganchada en la ranura del soporte antivuelco.

Si traslada de lugar la estufa, vuelva a asegurar el soporte antivuelco.

No ponga a funcionar la estufa sin tener el soporte antivuelco instalado y asegurado.

No seguir estas instrucciones puede ocasionar la muerte o quemaduras graves en niños y adultos.

1. Gire la válvula de cierre manual hasta la posición cerrada.



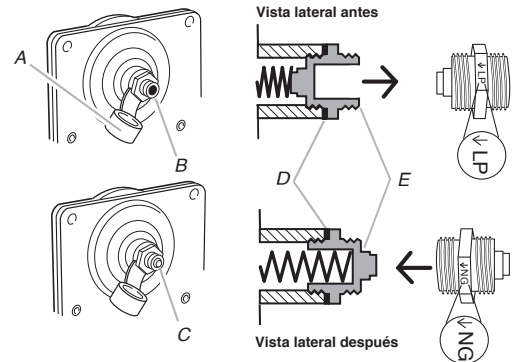
- A. A la estufa
- B. Válvula de manual en la posición cerrada
- C. Línea de suministro de gas

2. Desenchufe la estufa o desconecte el suministro eléctrico.

Para convertir el regulador de presión de gas (de gas propano a gas natural)

1. Retire el cajón de almacenamiento. Consulte la sección "Retire/vuelva a colocar el cajón".
2. Ubique el regulador de presión de gas en la parte posterior del compartimiento del cajón.
3. Retire la cubierta plástica de la tapa del regulador de presión de gas.
4. Gire la tapa del regulador de presión de gas en sentido antihorario con una llave de combinación de 5/8" (1,6 cm) para retirarla.

NOTA: No quite el resorte que está debajo de la tapa.

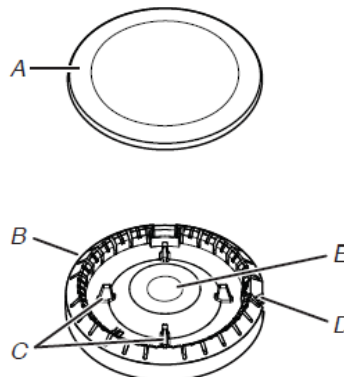


- A. Cubierta de plástico
- B. Tapa del regulador de presión de gas con el extremo hueco mirando hacia fuera
- C. Tapa del regulador de presión de gas con el extremo macizo mirando hacia fuera
- D. Arandela
- E. Tapa del regulador de la presión de gas

5. Invierta la tapa del regulador de presión de gas y vuelva a instalarla sobre el regulador de modo que el extremo macizo mire hacia afuera y la marca "NG" mire en la dirección que se muestra en la ilustración anterior.
6. Vuelva a colocar la cubierta plástica sobre la tapa del regulador de presión de gas.

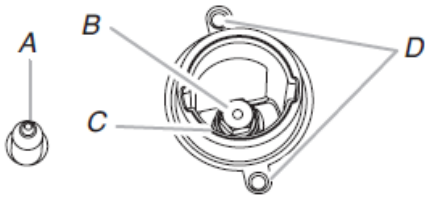
Para convertir quemadores de superficie (de gas propano a gas natural)

1. Retire la tapa del quemador.
2. Retire la base del quemador.



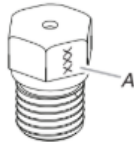
- A. Tapa del quemador
- B. Base del quemador
- C. Espigas de alineación
- D. Electrodo encendedor
- E. Abertura del tubo de gas

3. Aplique cinta adhesiva protectora al extremo de una llave para tuercas de 5/16" (7 mm) para ayudar a mantener el tornillo de los orificios de gas en dicha llave mientras lo cambia. Presione hacia abajo la llave para tuercas sobre el tornillo de los orificios de gas y sáquelo girando en sentido antihorario y levantando hacia afuera. Deje a un lado el tornillo de los orificios de gas.



- A. Electrodo encendedor
- B. Tornillo del orificio
- C. Soporte del tornillo de los orificios
- D. Tornillos

4. Los tornillos de los orificios de gas tienen grabado un número al costado. Reemplace el tornillo de los orificios de gas propano con el tornillo de orificios de gas natural correcto.



- A. Número grabado

Consulte la tabla siguiente para conocer la ubicación correcta del tornillo de los orificios de gas natural.

Tabla de tornillos de los orificios de gas natural

Valor nominal del quemador	Tamaño (mm)	Número de identificación
18.000 BTU	2.00	200AM
17.000 BTU	1.96	196AM
15.000 BTU	1.80	180AM
9.500 BTU	1.40	140AM
8.000 BTU	1.30	130AM
5.000 BTU	1.00	100AM

NOTA: Consulte la hoja técnica situada en la cubierta trasera para conocer el valor nominal BTU del quemador individual aplicable por tipo de combustible.

5. Coloque los tornillos de los orificios de gas propano en la bolsa de tornillos de orificios.

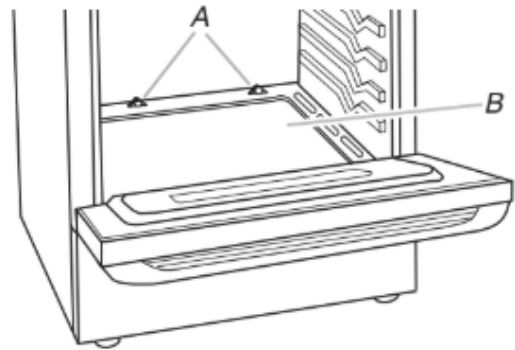
IMPORTANTE: Conserve los tornillos de los orificios de gas propano en caso de que se realice la reinstalación con gas propano.

6. Vuelva a colocar la base del quemador usando ambos tornillos.
7. Vuelva a colocar la tapa del quemador.
8. Repita los pasos 1 a 7 para los quemadores restantes.

Para convertir el quemador de hornear del horno (de gas propano a gas natural)

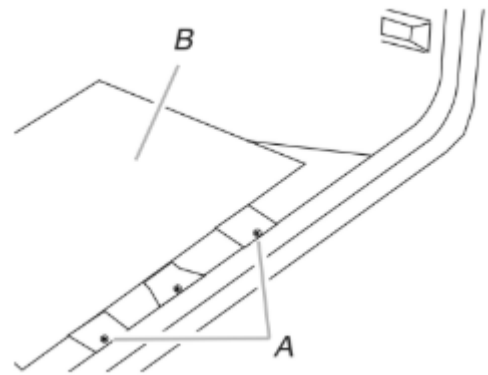
1. Saque las parrillas del horno.
2. Retire los 2 tornillos que se encuentran en la parte posterior de la base del horno.

3. Levante la parte posterior de la base del horno hacia atrás hasta que la parte frontal del panel esté fuera del marco frontal. Retire del horno y reserve sobre una superficie cubierta.



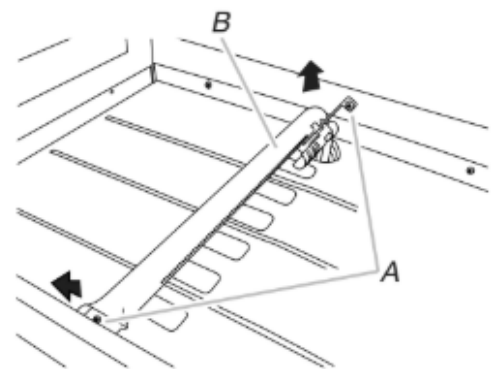
- A. Tornillos
- B. Parte inferior del horno

4. Saque los 2 tornillos de las lengüetas frontales del dispersor de llama. Levante la parte frontal del dispersor de llama y jale hacia delante para quitar las lengüetas de la parte posterior del horno. Resérvelas en una superficie cubierta.



- A. Tornillos
- B. Propagador de llama

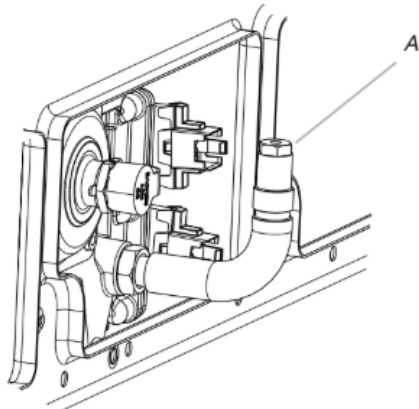
5. Retire 2 tornillos del quemador de hornear.
6. Deslice el frente del quemador de hornear hacia el costado para retirar la lengüeta de la parte frontal del horno. Levante la parte posterior del quemador de hornear fuera del orificio del horno y reserve el quemador de hornear.



- A. Tornillos
- B. Quemador para hornear

7. Use una llave para tuercas o una llave de combinación de 3/8" (1 cm) y gire en sentido antihorario el tornillo de orificios del quemador de hornear de gas propano para retirarlo. El tornillo tendrá grabado el número "57".
8. Reemplace el tornillo con el "57" por uno con un "49". Para instalar el tornillo de los orificios del quemador de hornear de gas natural, gírelo en sentido horario hasta que esté firme.

IMPORTANTE: No ajuste demasiado.



A. Tornillo del orificio

9. Coloque la parte posterior del quemador de hornear sobre el orificio del horno y deslice la lengüeta situada en el frente del quemador de hornear hacia el frente del horno.
10. Vuelva a instalar el quemador de hornear con 2 tornillos.
11. Inserte las pestañas situadas en la parte trasera del dispersor de llama en la parte trasera del horno.
12. Vuelva a conectar ambas lengüetas del dispersor de llama al horno con 2 tornillos.
13. Ubique la parte frontal del panel del piso del horno hacia el marco frontal y baje la parte posterior del panel del piso del horno hacia adentro del horno.
14. Vuelva a instalar el panel del piso del horno con 2 tornillos.

Complete la instalación (de gas propano a gas natural)

1. Consulte la sección "Conexión del suministro de gas" para conectar la estufa correctamente al suministro de gas.
2. Consulte la sección "Sistema de encendido electrónico" para los ajustes apropiados de encendido, funcionamiento y llama del quemador.

IMPORTANTE: Es posible que tenga que regular el ajuste "LO" (Bajo) para cada quemador de la superficie de cocción.

Es muy importante verificar la llama adecuada del quemador de la superficie de cocción y del hornear. Las llamas de gas natural no tienen puntas amarillas.

3. Consulte "Complete la instalación" en la sección "Instrucciones de instalación" de este manual para completar este procedimiento.

NOTA: Asegúrese de revisar los orificios que han sido reemplazados en la conversión.

Cómo mover la estufa

⚠ ADVERTENCIA



Peligro de vuelco

Un niño o un adulto puede volcar accidentalmente la estufa y resultar muerto.

Instale el soporte antivuelco fijado al piso o a la pared según las instrucciones de instalación.

Deslice la estufa hacia atrás de modo que la pata trasera quede enganchada en la ranura del soporte antivuelco.

Si traslada de lugar la estufa, vuelva a asegurar el soporte antivuelco.

No ponga a funcionar la estufa sin tener el soporte antivuelco instalado y asegurado.

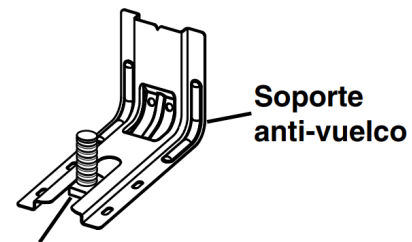
No seguir estas instrucciones puede ocasionar la muerte o quemaduras graves en niños y adultos.

Cuando mueva la estufa, deslícela sobre un pedazo de cartón o madera para prevenir que se dañe el revestimiento del piso.

Si es necesario quitar la estufa para limpiar o realizar mantenimiento:

Para estufas conectadas con cable de suministro eléctrico:

1. Deslice la estufa hacia adelante.
2. Gire la válvula de cierre manual hasta la posición cerrada.
3. Desenchufe el cable de suministro eléctrico.
4. Desconecte la tubería de suministro de gas.
5. Termine la limpieza o el mantenimiento.
6. Reconecte la tubería de suministro de gas.
7. Abra la válvula de cierre manual de la línea de suministro de gas.
8. Enchufe el cable de suministro eléctrico.
9. Deslice la estufa de modo tal que la pata trasera quede debajo del soporte anti-vuelco.



Pata de la estufa

10. Consulte la sección "Verifique que el soporte antivuelco esté instalado y enganchado".
11. Verifique que la estufa esté nivelada.

NOTES

NOTES

NOTES

NOTES