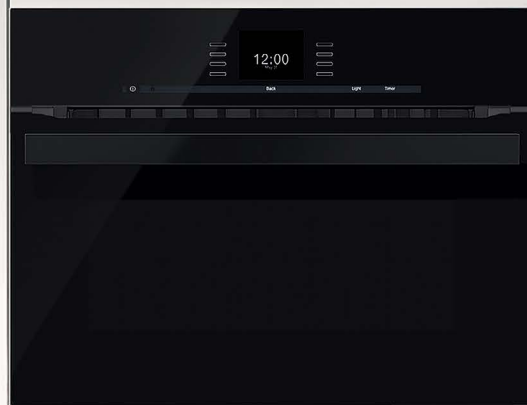


PureLine Obsidian Black  
24" Speed Oven

H 6600 BM OBSW



# PureLine Speed Oven H 6600 BM OBSW



## H 6600 BM OBSW

### Features:

- SensorTronic controls: 5-line TFT display with laterally positioned sensor controls that clearly present menu content
- 19 operating modes
- Rapid Preheat
- Roast probe for perfect roasting results
- MasterChef menu offers over 100 food types to cook to perfection
- Favorites - up to 20 recipes
- 1,000 watt microwave
- Popcorn button
- Minute Plus button - time and power individually programmable
- PerfectClean interior
- Timer
- Sabbath Program
- The simple yet sleek Silhouette handle seems to float enhancing its modern design lines

## SPECIFICATIONS

### H 6600 BM OBSW — Item 22660024USA

Overall Unit Width - Excluding Fascia Dimension	22 <sup>1</sup> / <sub>16</sub> " (560 mm)
Overall Unit Height - Excluding Fascia Dimension	17 <sup>1</sup> / <sub>2</sub> " (445 mm)
Overall Unit Depth - Excluding Fascia Dimension	21 <sup>5</sup> / <sub>16</sub> " (542 mm)
Oven Door Clearance	12 <sup>5</sup> / <sub>16</sub> " (313 mm)
Overall Fascia Dimensions	23 <sup>7</sup> / <sub>16</sub> " (595 mm) W x 17 <sup>15</sup> / <sub>16</sub> " (455 mm) H x 7 <sup>7</sup> / <sub>8</sub> " (22 mm) D

### Built-In

Minimum Cabinet Opening Width	22 <sup>1</sup> / <sub>16</sub> " (561 mm)
Minimum Cabinet Opening Depth	21 <sup>5</sup> / <sub>8</sub> " (550 mm)
Minimum Cabinet Opening Height	17 <sup>3</sup> / <sub>4</sub> " (450 mm)
Minimum Base Support	125 lbs

### Electrical

Electrical Requirements	240/208V AC, 60Hz, 20A
Power Cord	Molded NEMA 14-30 configured plug
Electrical Rating	2.2kW (240V), 1.76kW (208V)

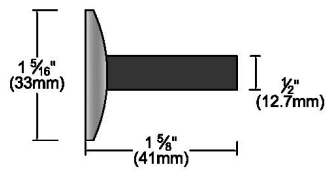
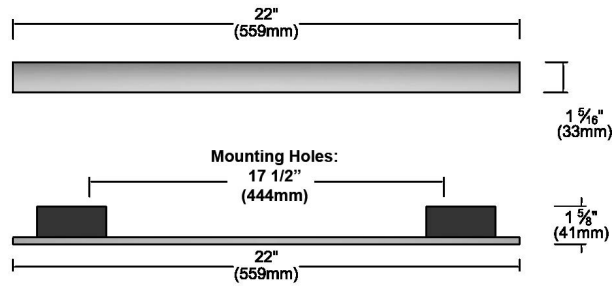
### Shipping

Shipping Weight	126 lbs
Shipping Dimensions	25 <sup>5</sup> / <sub>8</sub> " W (727 mm) x 24 <sup>13</sup> / <sub>16</sub> " (630 mm) H x 27" (686 mm) L

### Support

Call Miele	800.843.7231
Miele Website	<a href="http://www.mieleusa.com">www.mieleusa.com</a>
20/20 Link	<a href="http://2020technologies.com">2020technologies.com</a>

HANDLE SPECIFICATIONS

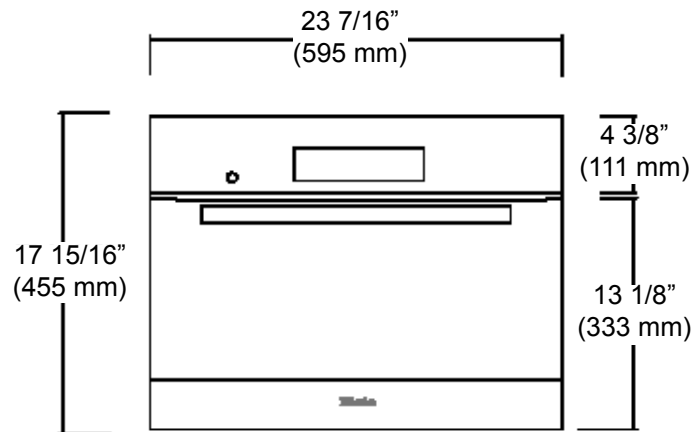


# PureLine Speed Oven H 6600 BM OBSW

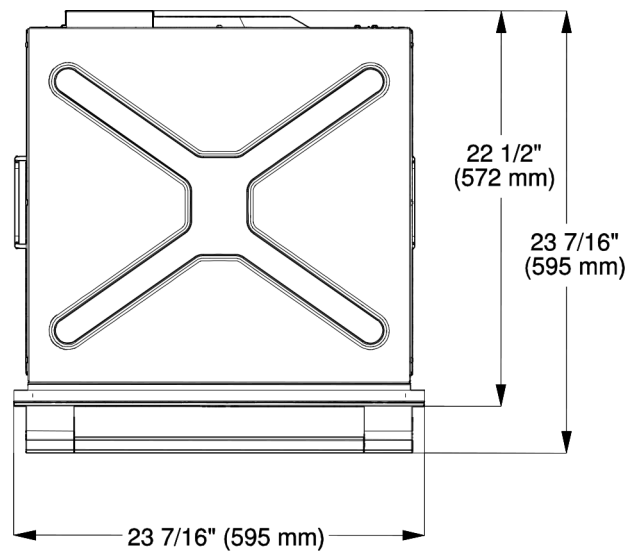


## PRODUCT VIEWS

Fascia

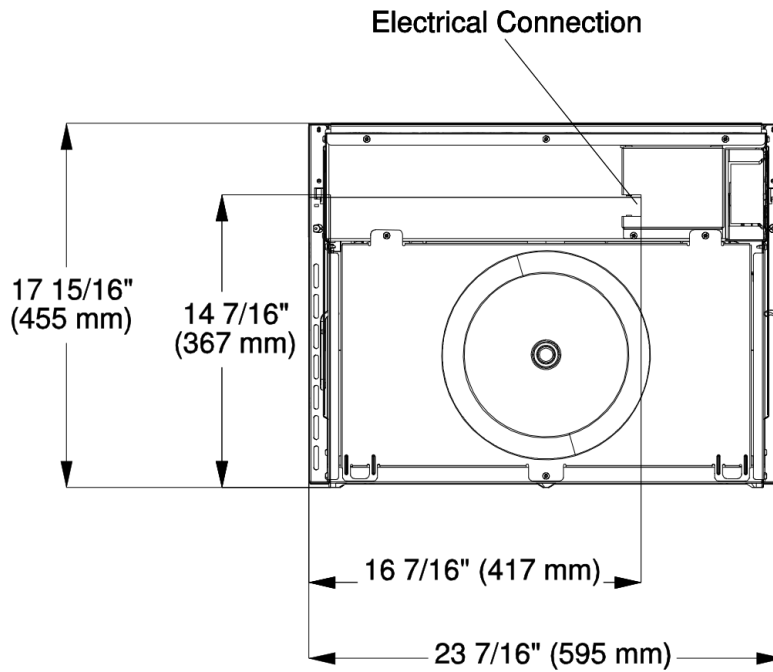


Top View

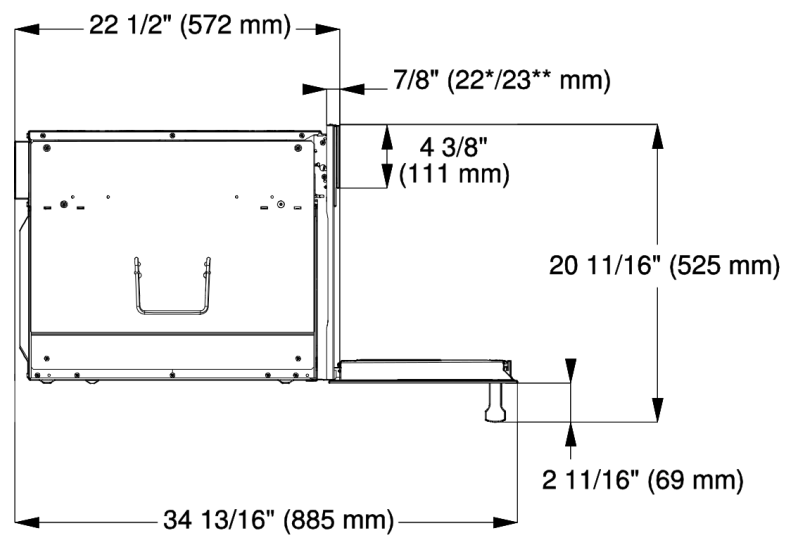


PRODUCT VIEWS

Rear View



Side View



\* Oven with glass front

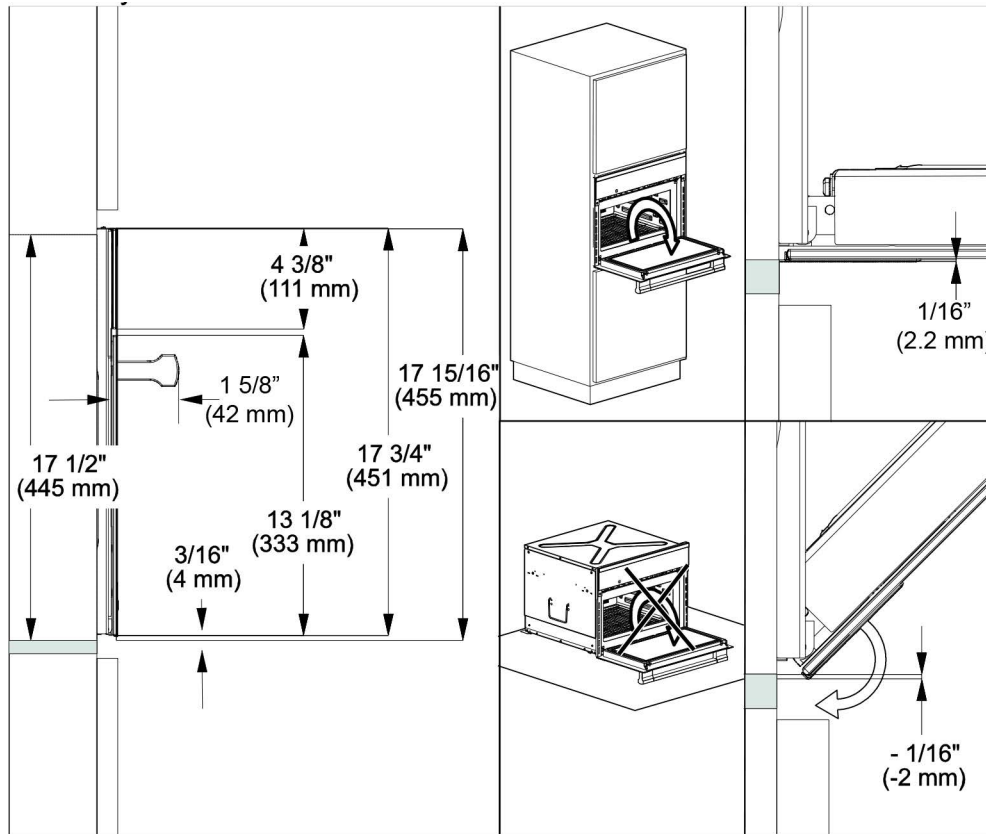
\*\* Oven with metal front

# PureLine Speed Oven H 6600 BM OBSW



## INSTALLATION SPECIFICATIONS

### Door Swing Details

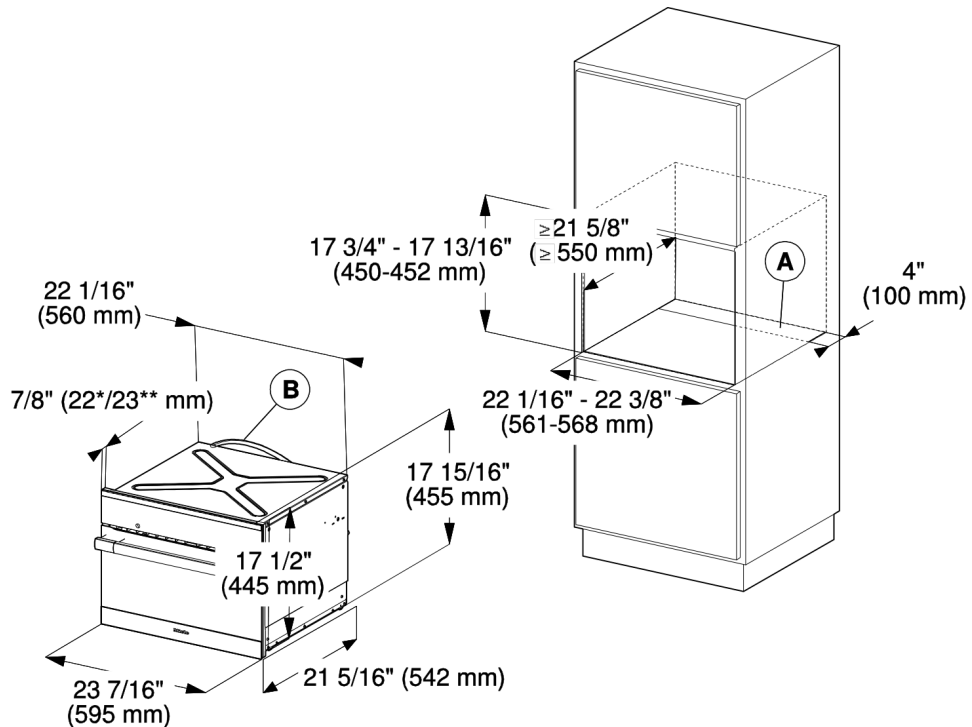


# PureLine Speed Oven H 6600 BM OBSW



## INSTALLATION SPECIFICATIONS

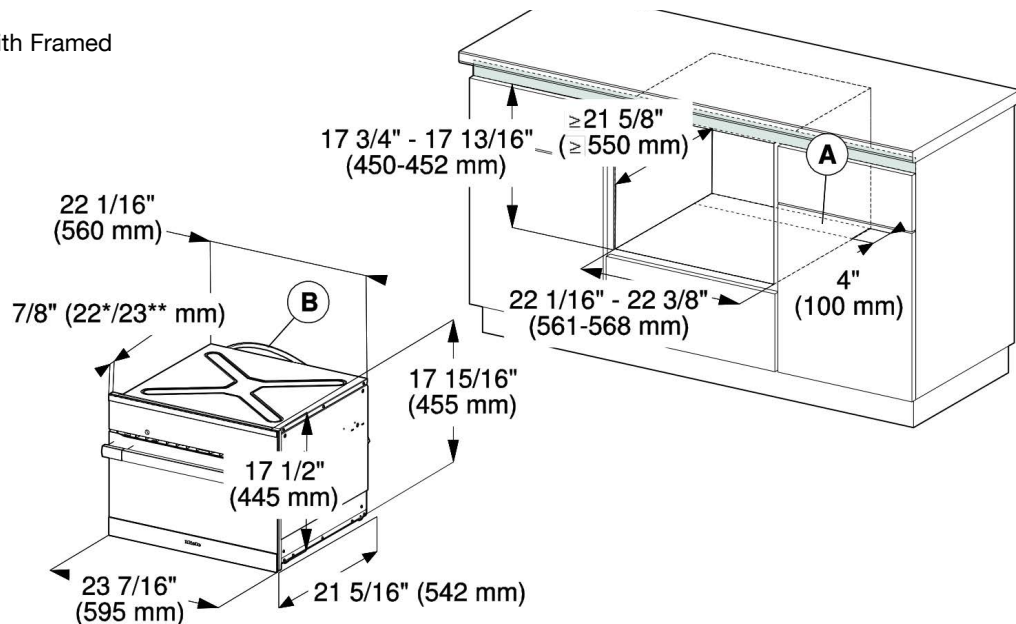
Install in Tall Cabinet



- (A) Cut-out (4" x 22" / 100 mm x 560 mm) in the bottom of the cabinet for power cord and ventilation
- (B) Power cord with plug

\* Oven with glass front  
\*\* Oven with metal front

Undercounter Installation With Framed Cabinet



- (A) Cut-out (4" x 22" / 100 mm x 560 mm) in the bottom of the cabinet for power cord and ventilation
- (B) Power cord with plug

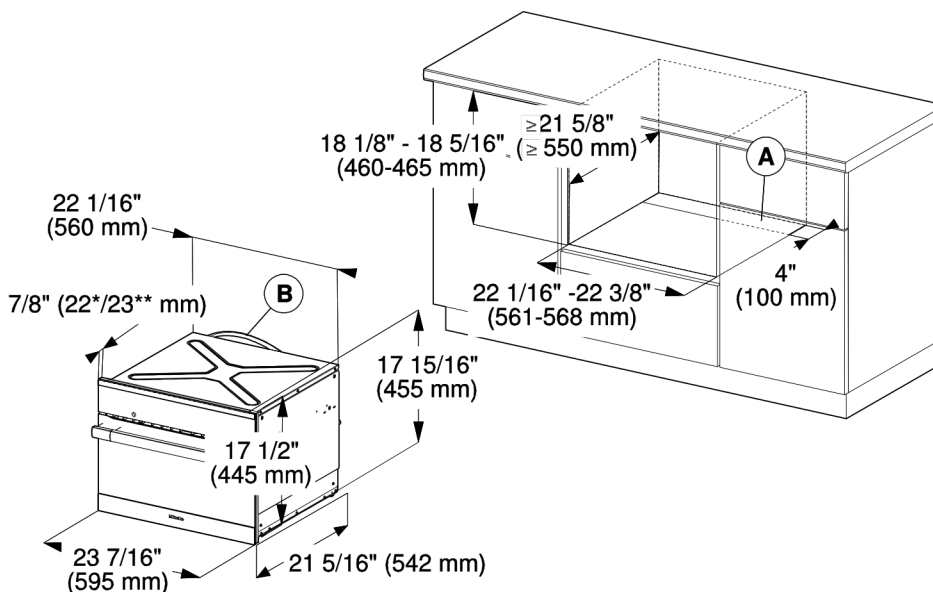
\* Oven with glass front  
\*\* Oven with metal front

# PureLine Speed Oven H 6600 BM OBSW



## INSTALLATION SPECIFICATIONS

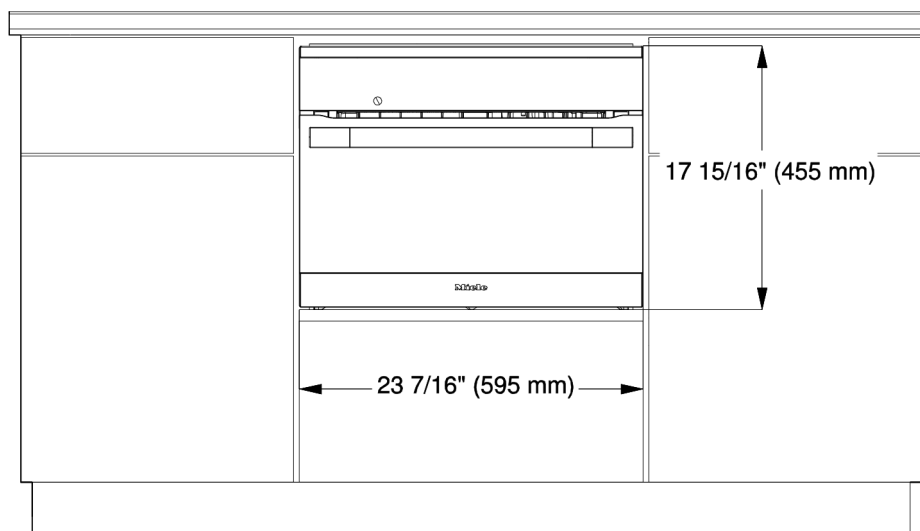
Undercounter Installation Against CounterTop



- Ⓐ Cut-out (4" x 22" / 100 mm x 560 mm) in the bottom of the cabinet for power cord and ventilation
- Ⓑ Power cord with plug

\* Oven with glass front  
\*\* Oven with metal front

Under Counter Install Against Counter Top  
Front View





# PureLine Speed Oven H 6600 BM OBSW



## INSTALLATION SPECIFICATIONS

Stacked With 24 Inch Oven Installation

