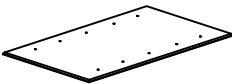



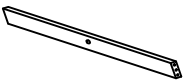



ASSEMBLY INSTRUCTION FOR ACME FURNITURE

MODEL# DN02925

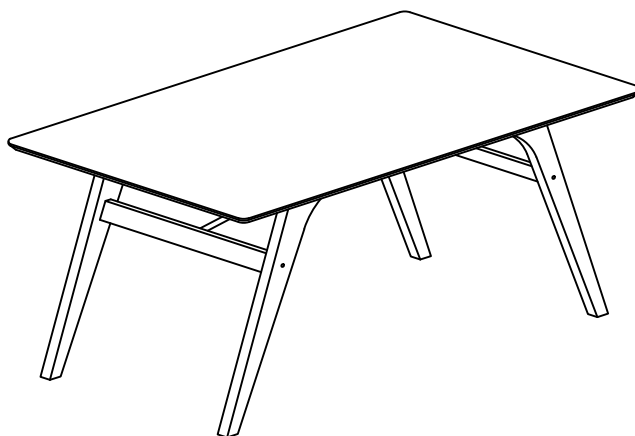
Thank you for purchasing the quality product. Be sure to check all packing material carefully for small parts which may have come loose inside the carton during shipment. Separate, identify and count all parts and metal hardware. Compare with all parts list to be sure all parts are present. If any part(s) are missing or damaged, please contact your local furniture dealer. For efficient and speedy service, please indicate the model number and code letter of part(s) needed.

*****Do not fully tighten screws until fully assembled*****

COMPONENT PARTS			
DESCRIPTION	PART NAME		Q'TY(PCS)
①	TABLE TOP		1
②	TABLE SUPPORT		2
③	TABLE LEG WITH LABEL "R"		2
④	TABLE LEG WITH LABEL "L"		2
⑤	TABLE LEG SUPPORT WITH LABEL "UP"		2
⑥	CYLINDRICAL IRON SUPPORT		2

HARDWARE REQUIRED

Ⓐ		BOLT	M6 X 45MM	10	PCS
Ⓑ		BOLT	M6 X 60MM	12	PCS
Ⓒ		LOCK WASHER	M6 X 12MM	22	PCS
Ⓓ		WOOD DOWEL	M8 X 30MM	8	PCS
Ⓔ		PAN HEAD SCREW	M4 X 16MM	6	PCS
Ⓕ		ALLEN KEY	M4 X 100MM	1	PCS

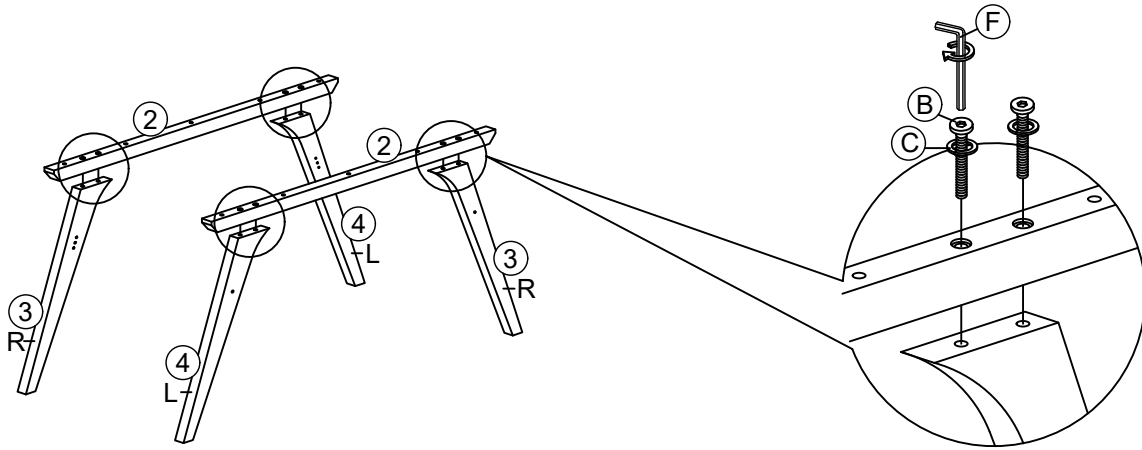


Attention

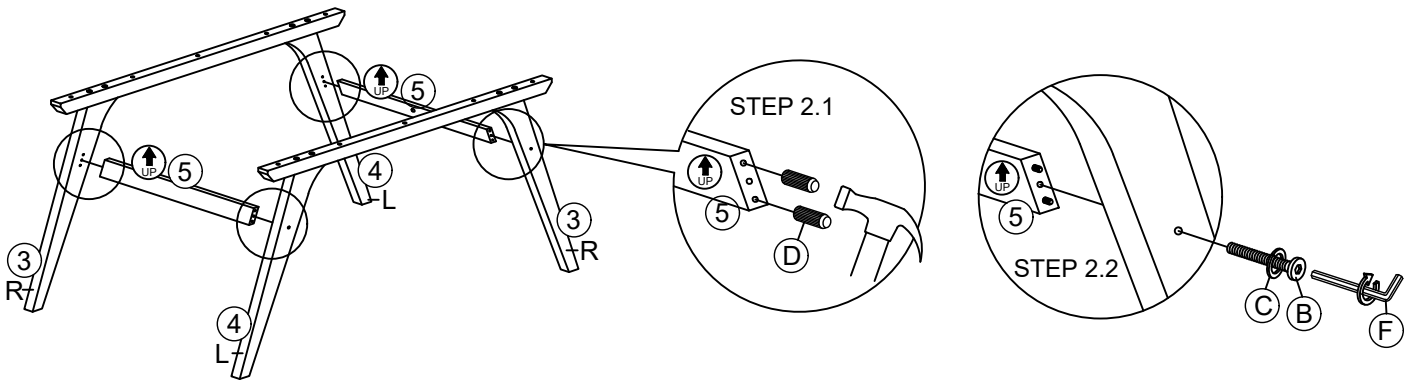
***Some number parts listed on the instruction sheet may not be in parts bag as they may already be assembled. Carefully check parts and packing materials prior to ordering replacements.

How to assemble:

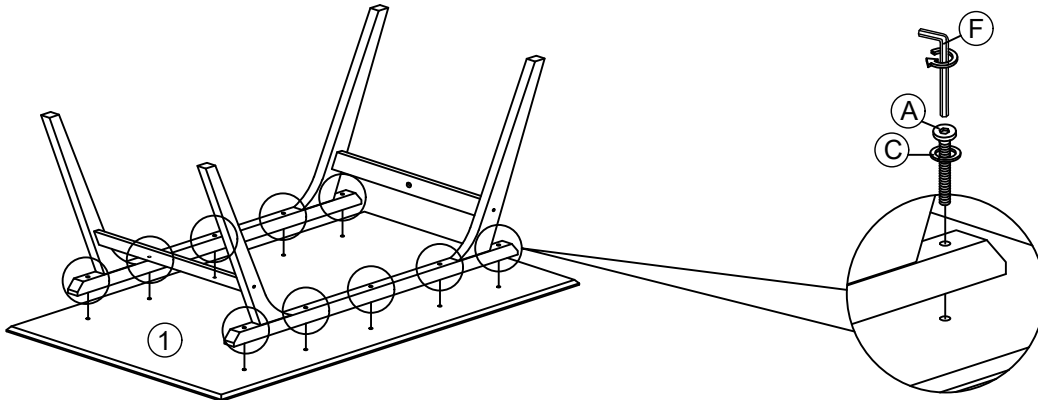
STEP 1



STEP 2



STEP 3



STEP 4

