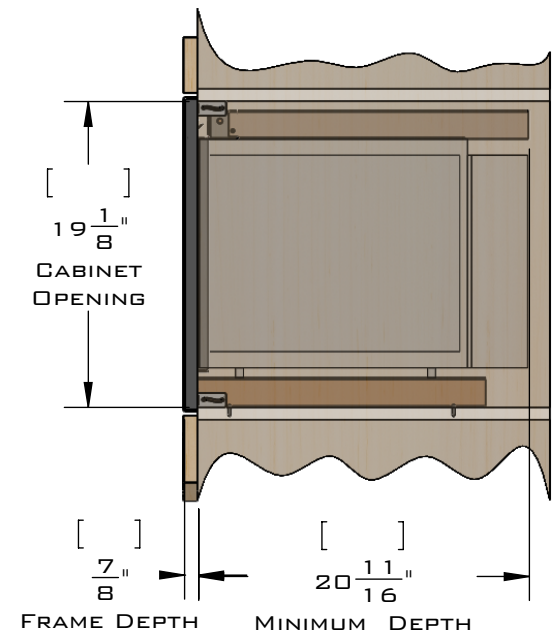
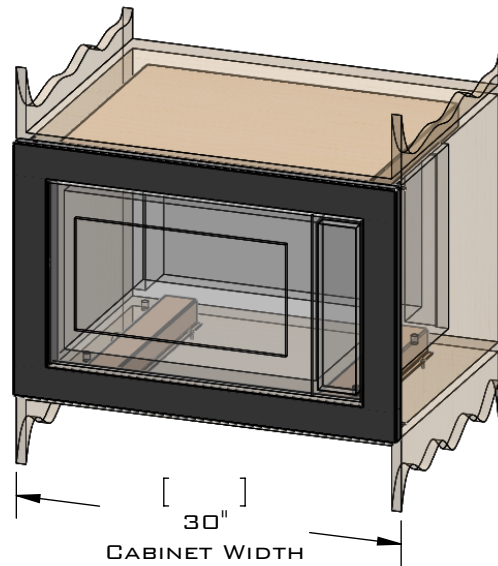
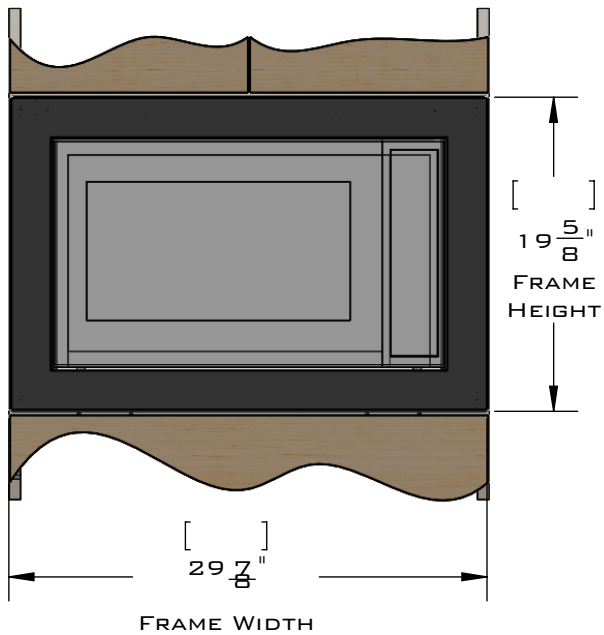


# FISHER & PAYKEL

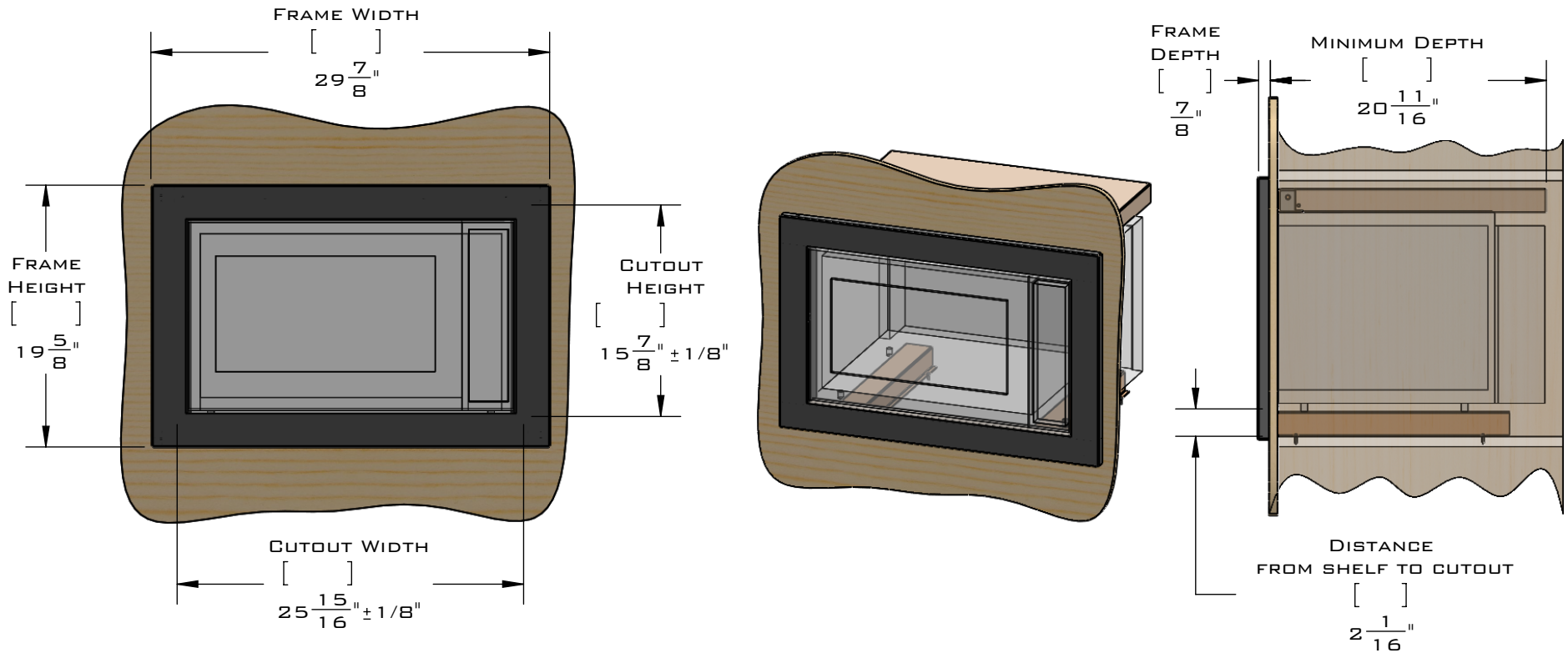
PLANNING GUIDE  
TKCFP307  
Convection Microwave Trim Kit  
Flush Mount



For replacement parts or if further help is needed concerning this appliance call:  
Toll Free 1 888 9 FNP USA (1 888 936 7872) or write to:  
Fisher & Paykel Appliances Inc., 5900 Skylab Road, Huntington Beach, CA 92647  
or contact us through our web site: [www.fisherpaykel.com](http://www.fisherpaykel.com)

# FISHER & PAYKEL

PLANNING GUIDE  
TKCFP307  
Convection Microwave Trim Kit  
Surface Mount



For replacement parts or if further help is needed concerning this appliance call:

Toll Free 1 888 9 FNP USA (1 888 936 7872) or write to:

Fisher & Paykel Appliances Inc., 5900 Skylab Road, Huntington Beach, CA 92647

or contact us through our web site: [www.fisherpaykel.com](http://www.fisherpaykel.com)

# FISHER & PAYKEL

## INSTALLATION INSTRUCTION OF FAN BOX FOR CONVECTION MICROWAVE TRIM KITS

### Important Information

- 1) After installing the runners, plug-in the 12VDC transformer and place the cord along the right side of the cabinet.
- 2) Before peeling off the PVC coating from the stainless steel frame, slide-in the Fan Box as shown in the image below. Plug-in the 12V supply and position the Fan Box approx. 1-1/2" to 2"-Inch set back from the face of the microwave.

