
DISHDRAWER™ DISHWASHER INSTALLATION GUIDE

Components required	4
Accessing your product specifications	5
Prior to installation	8
Hard wiring (optional)	13
Prepare dishwasher	17
Install dishwasher	24
Connect services	33
Installer checklist	40

FISHER & PAYKEL

US CA

431376C_03.26

DISHDRAWER™ DISHWASHER

CONTEMPORARY DD24DT4NX9, DD24DT2NX9,
DD24DCHTX9 N, DD24DCTX9 N, DD24DAX9 N
DD24DDFTX9 N

PROFESSIONAL DD24DVT9 N

COMPONENTS REQUIRED

TOOLS

Supplied

- 1x Foot adjusting tool

Not supplied

- Box cutter
- Cross head screwdriver
- Flat blade screw driver
- Drill
- 1x 13mm Drill bit
- 1x 2.5mm Drill bit
- Level
- Pliers
- Pencil

PARTS

Supplied and required

- | | |
|---|--|
| <input type="checkbox"/> 4x Side brackets | <input type="checkbox"/> 1x Drain hose support |
| <input type="checkbox"/> 2x Top brackets | <input type="checkbox"/> 1x Drain hose joiner |
| <input type="checkbox"/> 1x Sealing tape | <input type="checkbox"/> 2x Wire clip |
| <input type="checkbox"/> 9 x 16mm Cross head screws | <input type="checkbox"/> 1x Clamp |
| <input type="checkbox"/> 1x Pre-finished toe kick panel | |
| <input type="checkbox"/> 5x Toe kick screws | |

Supplied

- 4x Spacer sets



To access installation videos, scan the QR code or go to: <https://www.fisherpaykel.com/nz/dishdrawer-installation-videos>

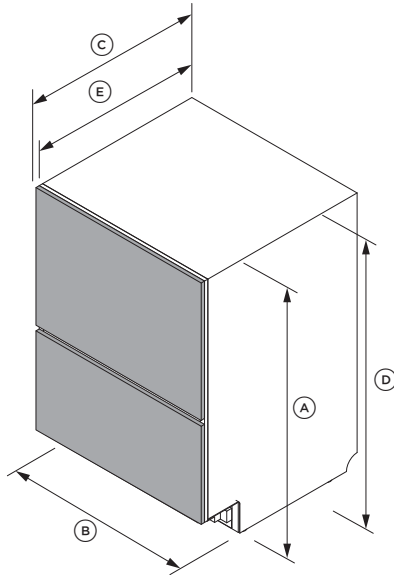
The videos provide an overview of the DishDrawer™ installation and are not intended to be used as a standalone guide.

Installation should be undertaken by a Fisher & Paykel trained and supported service technician or qualified person.

ACCESSING YOUR PRODUCT SPECIFICATIONS



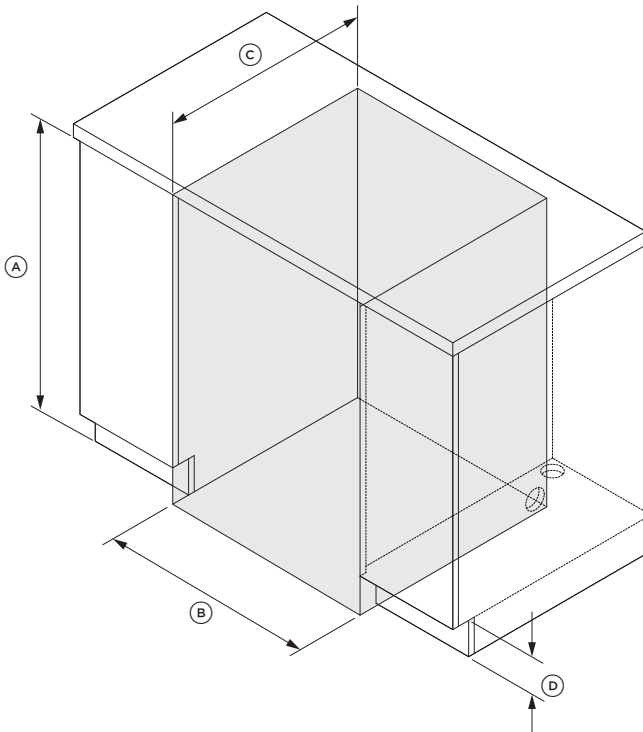
For full product, cabinetry and service specifications, refer to the Planning Guide. To access the Planning Guide, scan the QR code or visit fisherpaykel.com/specify. Search by appliance type, product name or model code.



Product Dimensions	in	mm
(A) Chassis height* Contemporary models Professional model DD24DVT9	31 15/16 33 11/16	811 855
(B) Chassis width	23 9/16	599
(C) Chassis depth excluding panels	21 3/4	553
(D) Overall height Contemporary models Professional model DD24DVT9	32 1/4 - 34 5/8 34 - 36 3/8	820 - 880 864 - 924
(E) Overall depth including panels	22 9/16	573

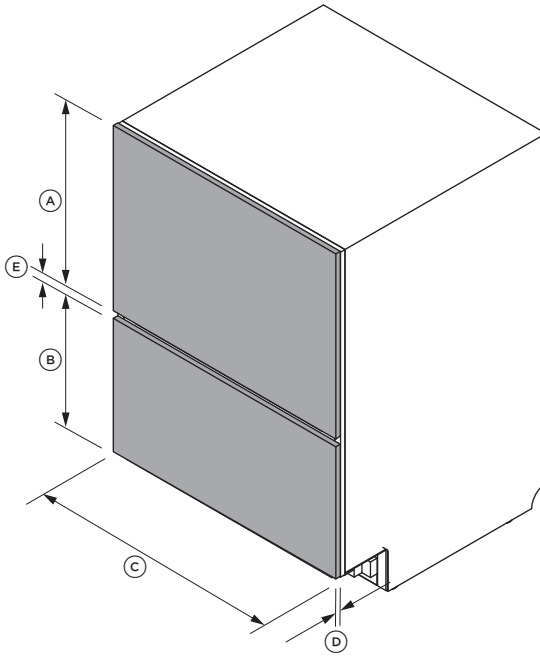
*Height depends on feet adjustment.

CAVITY SPECIFICATIONS



Cavity Dimensions	in	mm
(A) Cavity minimum height* Contemporary models Professional model DD24DVT9	32 3/8 34 1/8	822 866
(B) Cavity minimum width	23 5/8	600
(C) Cavity minimum depth including drawer panels	22 13/16	579
(D) Toe kick height	3 15/16 - 6 5/16	100-160

PANEL SPECIFICATIONS



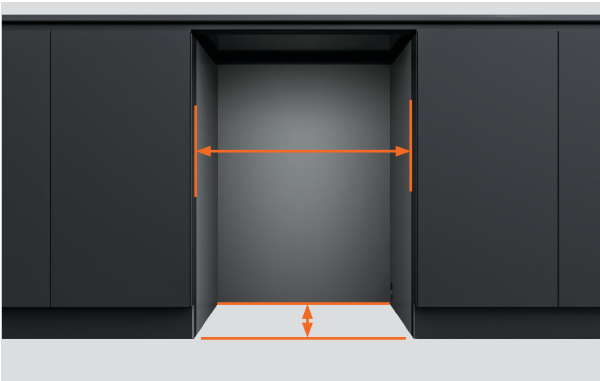
Panel Dimensions	in	mm
(A) Drawer panel height DD24DDFTX9 DD24DT4NX9, DD24DT2NX9, DD24DCHTX9, D24DCTX9, DD24DAX9 DD24DVT9	15 11/16 15 11/16 15 1/2 17 3/8	398 398 393 442
(B) Bottom panel height DD24DDFTX9 DD24DT4NX9, DD24DT2NX9, DD24DCHTX9, DD24DCTX9, DD24DAX9 DD24DVT9	12 1/4 12 1/8 12 1/4 12 1/4	312 309 312 312
(C) Drawer panel width	23 1/2	596
(D) Drawer panel thickness	13/16	20
(E) Ventilation gap	5/16	8

PRIOR TO INSTALLATION



fisherpaykel.com/specify

1. Refer to the Planning Guide for cabinetry, cavity and service specifications.



2. Ensure the cabinet meets the minimum cavity specifications required.

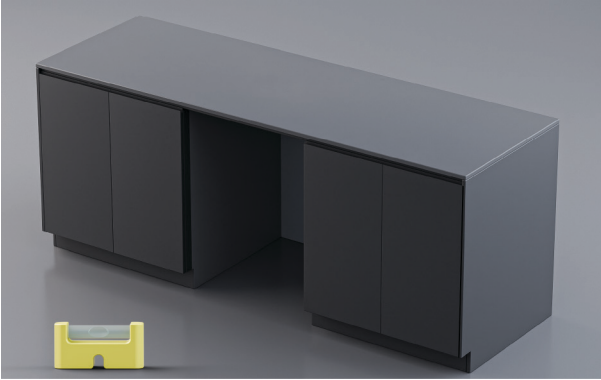
Check that the cabinet sides are square.



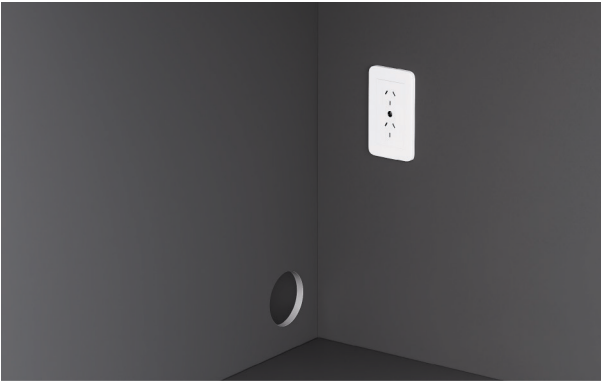
3. If the cavity is too wide, add material to the sides to allow the dishwasher to be secured.

See the planning guide for details.

PRIOR TO INSTALLATION



4. Check that the cabinet is level.



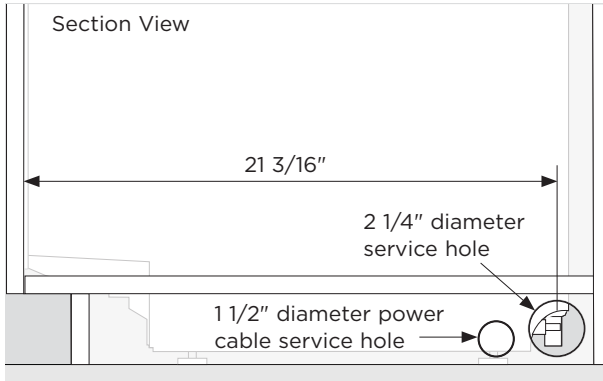
5. The power plug should be accessible after installation for future maintenance.



6. Service holes can be routed from the dishwasher cavity, into the toe kick space, and through to the adjacent cavity.

PRIOR TO INSTALLATION - SERVICES

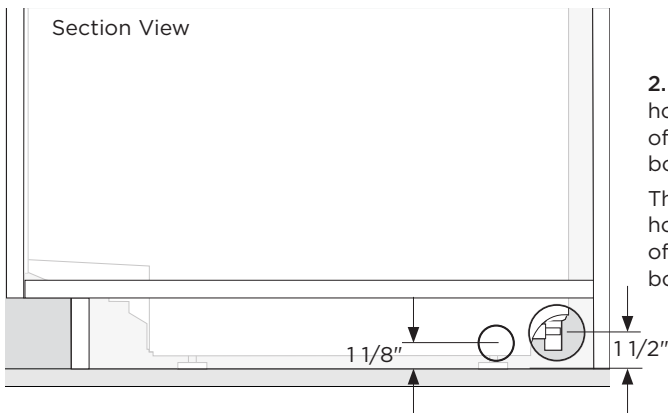
Refer to the Planning Guide at fisherpaykel.com for service options.



1. A minimum 2 1/4" diameter service hole is required in the cabinet side.

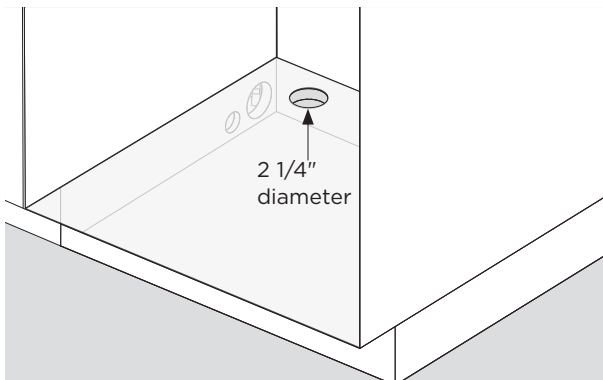
A separate 1 1/2" power cable hole is also required.

The center of the service hole should be a minimum of 21 3/16" from the front of the dishwasher chassis.



2. The center of the service hole should be a maximum of 1 1/8" from the floor or the bottom of dishwasher feet.

The center of the power cable hole should be a maximum of 1 1/8" from the floor or the bottom of dishwasher feet.

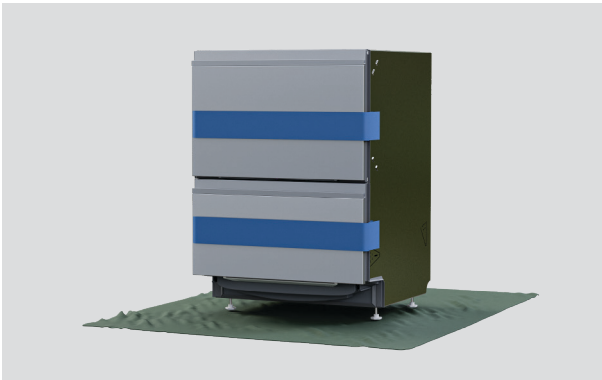


3. A 2 1/4" diameter service hole is required in the adjacent cabinet shelf.

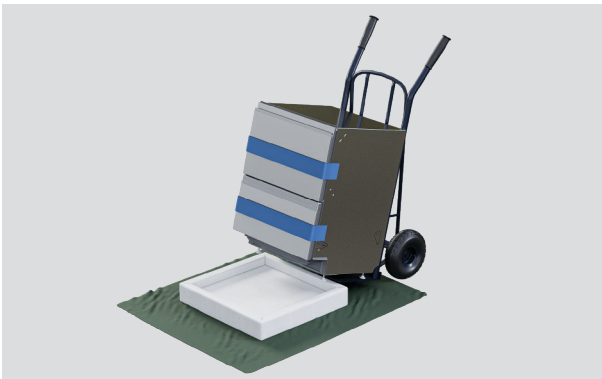
UNPACK ALL PRODUCTS



1. Carefully remove the plastic wrap.



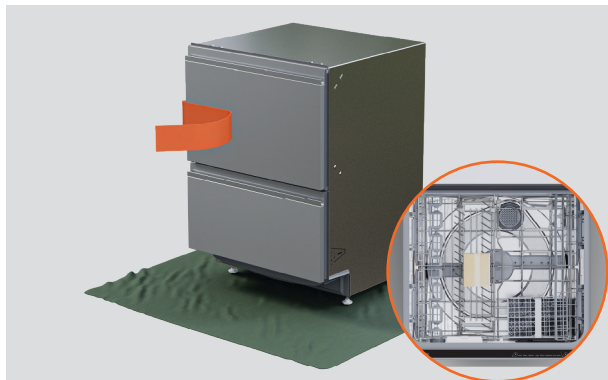
2. Protect flooring before removing the base.



3. To detach the base, use a trolley to lift the dishwasher from the rear, then pull the base off.

UNPACK ALL PRODUCTS

Open the top drawer carefully to prevent the dishwasher tipping.



4. Peel the tape from the top drawer and remove accessories, and installation packages.

Close the drawer and re-apply the tape.



5. Dispose of packaging responsibly.

HARD WIRING (OPTIONAL)

A qualified electrician is required to hard wire the dishwasher.

Remove the supplied power cord and complete the hard-wiring close to the cavity.

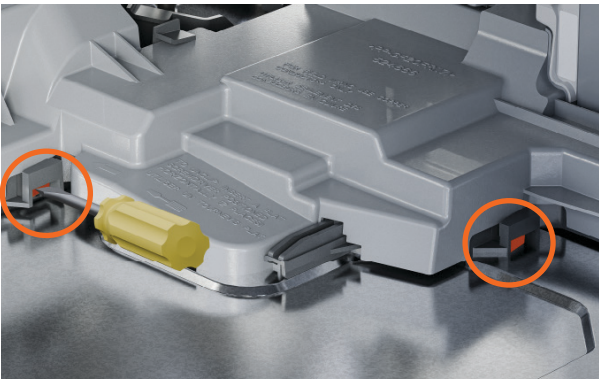


1. Pull the bottom drawer halfway out to remove the tub. On each side of the lower drawer, push locking tabs back.



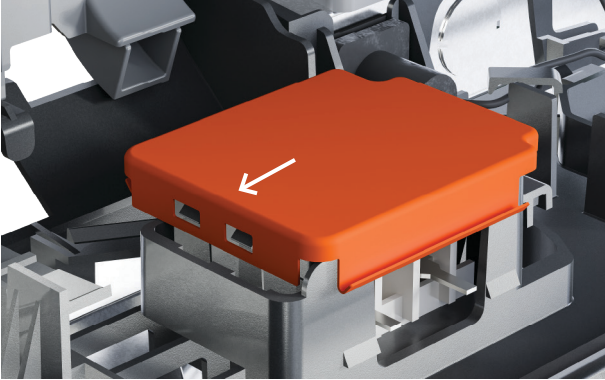
2. Place the drawer on a protected surface to the left of the appliance.

Do not stretch or disconnect the hoses and cords.

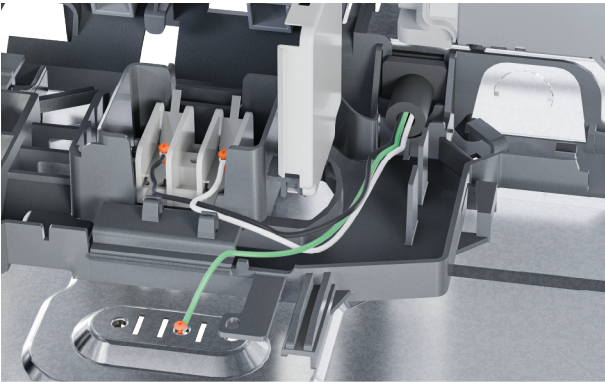


3. With a flat-bladed screwdriver, push in the clips and slide out the access cover.

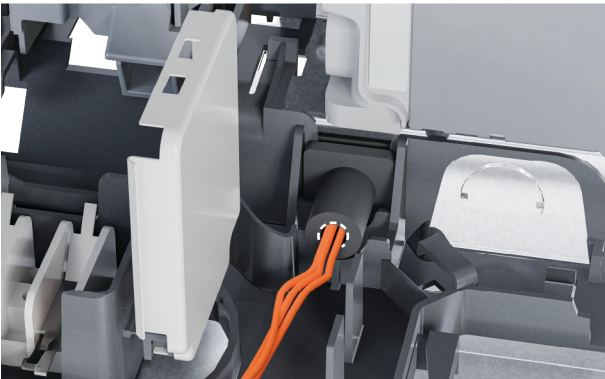
HARD WIRING (OPTIONAL)



4. Slide the terminal block cover sideways to unlock and hinge open to access the terminal block.

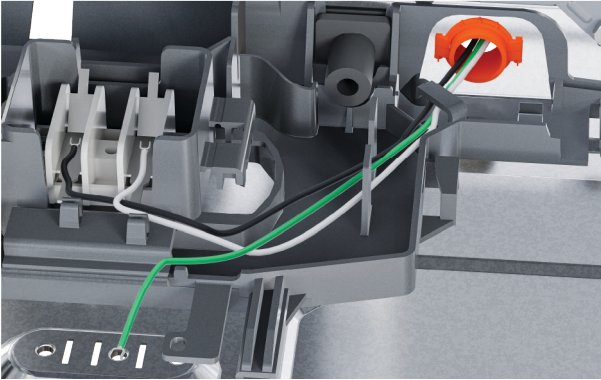


5. Unscrew the Live (black), Neutral (white) and Earth (green) wires from the terminal block and the chassis.



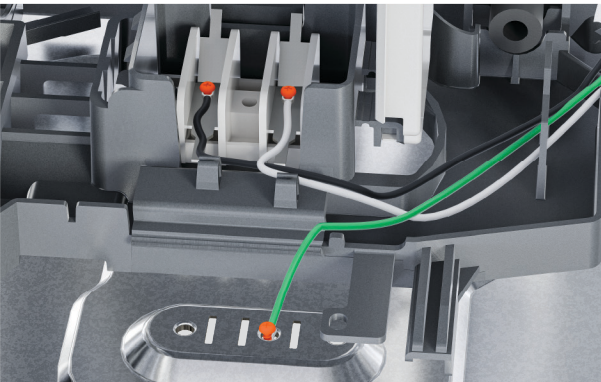
6. Safely cut the cord from the inside **and** outside of the strain relief molding to remove the cord.

HARD WIRING (OPTIONAL)

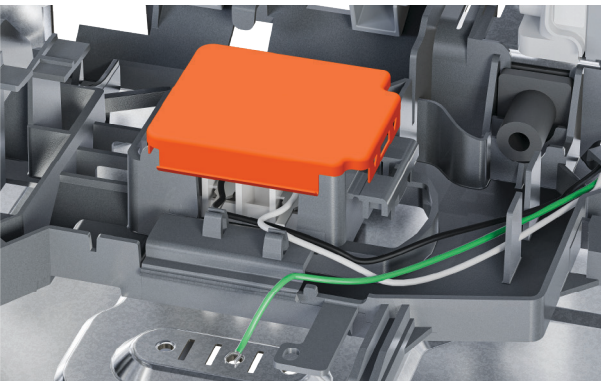


7. Fit a suitable cable clamp for the conduit through the metal knock-out.

Ensure only copper conductors are used.

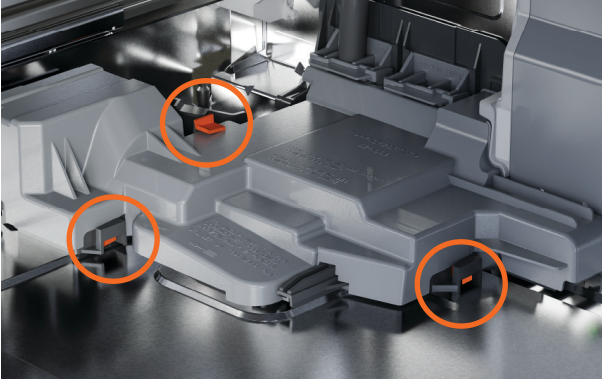


8. Fasten the Live (black) and Neutral (white) wires to the terminal block. Fasten the Earth (green) wire to the chassis.



9. Hinge the terminal block cover down and lock.

HARD WIRING (OPTIONAL)



10. Slide the access cover back into place.

Ensure the locking clips are aligned.



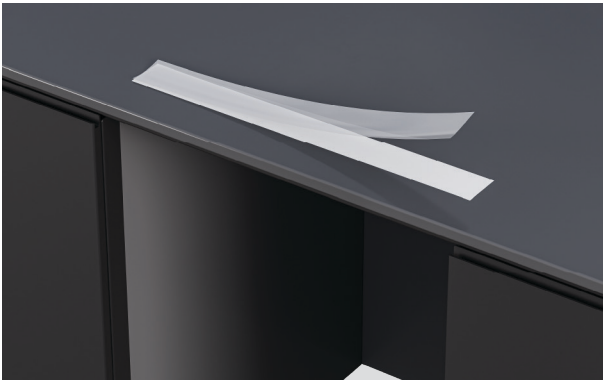
11. To replace the tub, pull the drawer runners halfway out. Place the tub onto the runners. Pull locking tabs forward and click the drawer into place.

Ensure hoses are not crushed or twisted when closing the drawer.

APPLY SEALING TAPE



1. Ensure underside of countertop is clean and dust free.



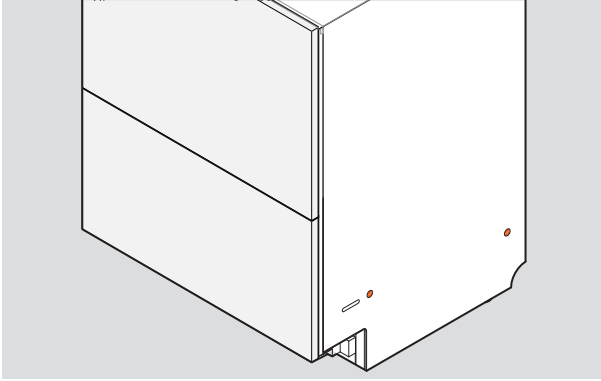
2. Remove backing from tape



3. Apply tape to countertop ensuring it is centred and set back 3/8" from the front edge.

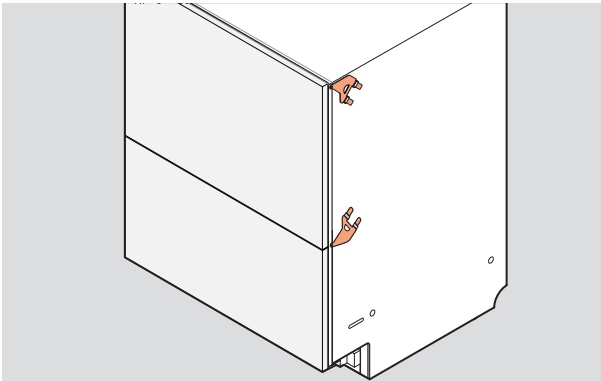
DISHWASHER SECURING OPTIONS

The dishwasher must be secured to stay in place and prevent vibration. Three fixing points on each side of the chassis is recommended.



1. Securing through chassis:

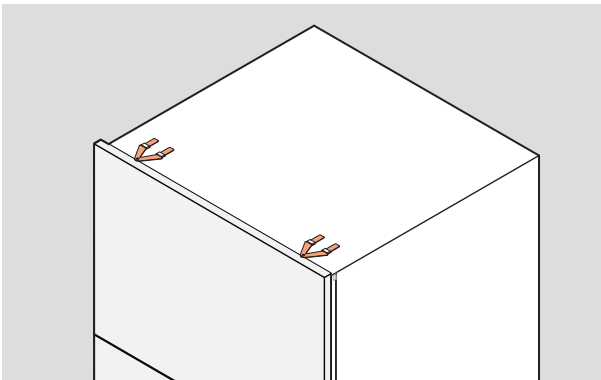
Screws must be fixed through the chassis sides and into the cabinet sides or packers.



2. Securing through side brackets:

Middle or upper bracket sets can be inserted into the chassis sides and fixed to the edges of the cabinet.

Both sets can be used if needed.



3. Securing through top brackets:

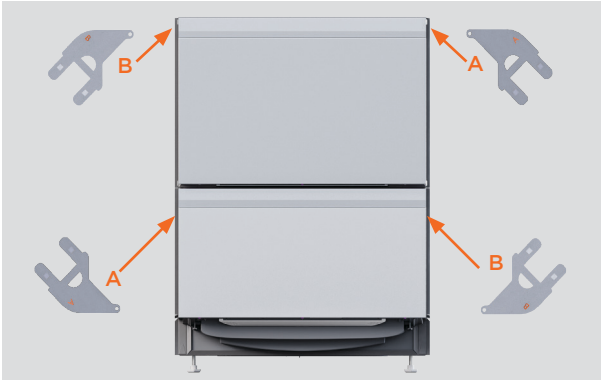
If needed, brackets can be inserted into the chassis top.

These may be used depending on the cabinet or countertop material.

Ensure the screws are flush with the cabinet surface to avoid damaging the drawer panel.

TO ATTACH SIDE BRACKETS

The brackets must lie flat on the chassis with the locking tabs facing out. The locking tabs must be properly inserted through the slots to secure the brackets.



1. Locate the upper and lower bracket sets.



2. If using the upper bracket set, insert into the slots and tap gently with a soft mallet to secure.

Push the screw tab through the gap in the rubber seal.



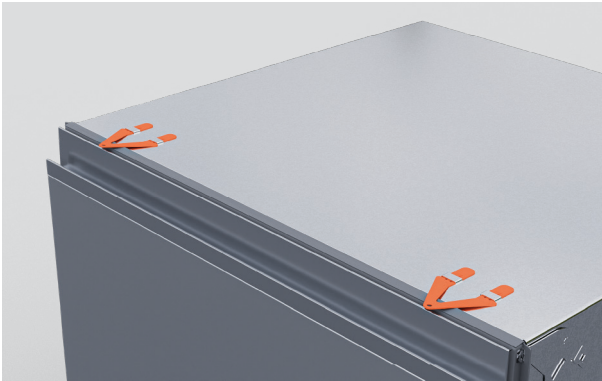
3. If using the lower bracket set, insert into lower slots and tap gently with a soft mallet to secure.

Push the screw tab through the gap in the rubber seal.

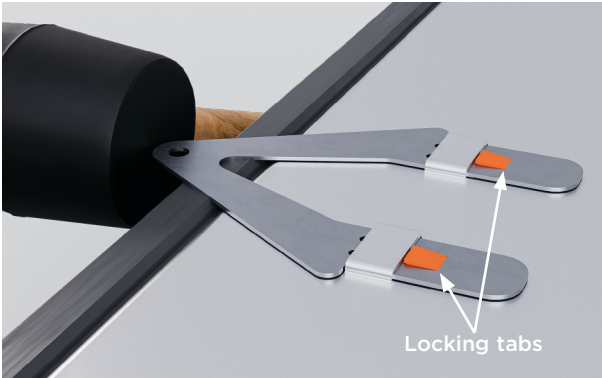
TO ATTACH TOP BRACKETS

Use top brackets if the cabinetry is suitable and the screws heads will be flush to prevent drawer panel damage.

The brackets must lie flat on the chassis with the locking tabs facing out.



1. Place the top brackets into the top tabs.
Push the screw tab through the gap in the rubber seal.

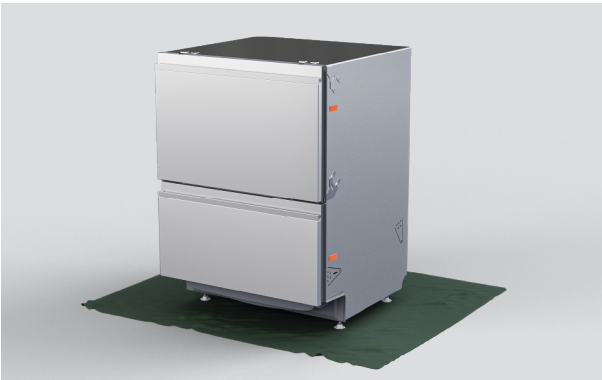


2. If necessary, tap gently with a soft mallet to secure.

ATTACH SPACERS



1. Snap off the four spacers with an adhesive strip.



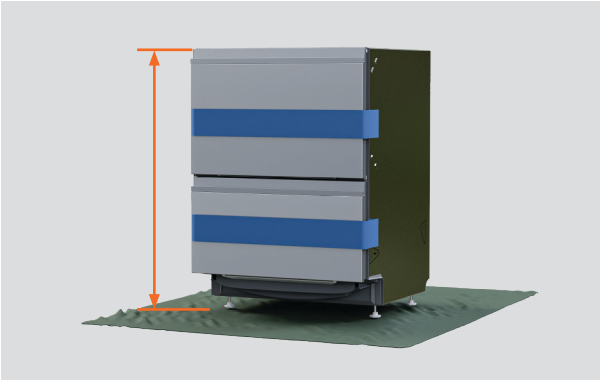
2. Place spacers on each side of the dishwasher between the brackets.



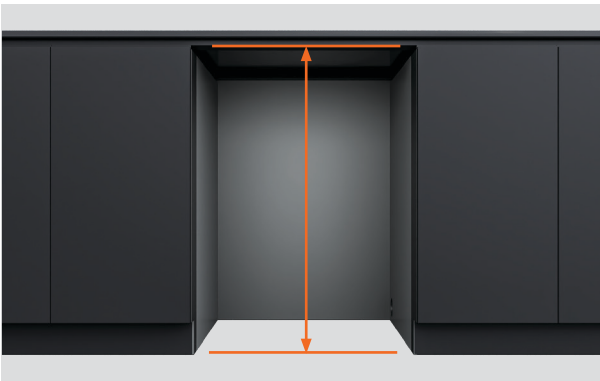
3. If required a larger spacer segment can be snapped on to adjust the thickness.

ADJUST DISHWASHER HEIGHT

Ensure the drawers are secured with tape. Take care not to bend the feet when tilting the dishwasher. Further adjustments will be made once the dishwasher is inside the cavity.



1. Measure the height of the dishwasher from the feet to the top of the chassis.

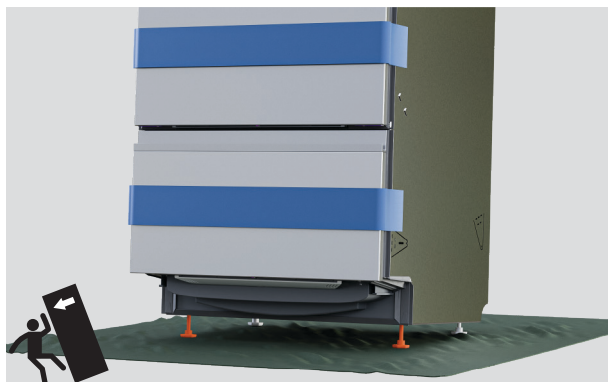


2. Measure the distance from the floor to the underside of the countertop or cavity frame.

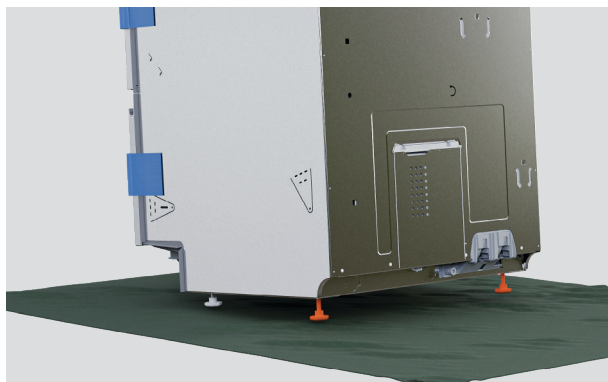


3. Adjust the dishwasher height to 1/8 to 3/16" below the cavity height.

ADJUST DISHWASHER HEIGHT

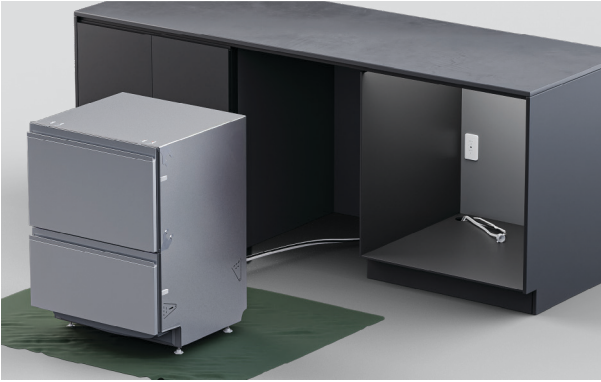


4. Tilt the dishwasher to rest on its back feet. Unscrew or tighten the front feet to adjust height.



5. Tilt the dishwasher to rest on its front feet. Unscrew or tighten the front feet to adjust height.

PUSH INSIDE CAVITY



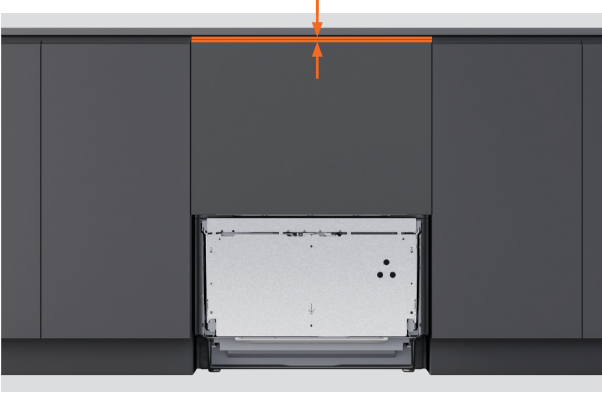
1. Place hoses and cords through the service holes and into the adjacent cavity.



2. Carefully push the product into the cavity, feeding the hoses through the service holes as you go.
Avoid crushing or twisting the hoses.

LEVEL THE DISHWASHER

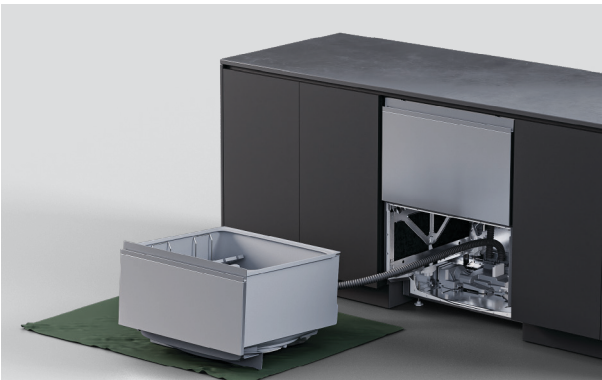
The minimum gap between the drawer panel and countertop or frame is 1/16".



1. Measure the gap between the top of the drawer panel and the countertop or frame for height adjustment.

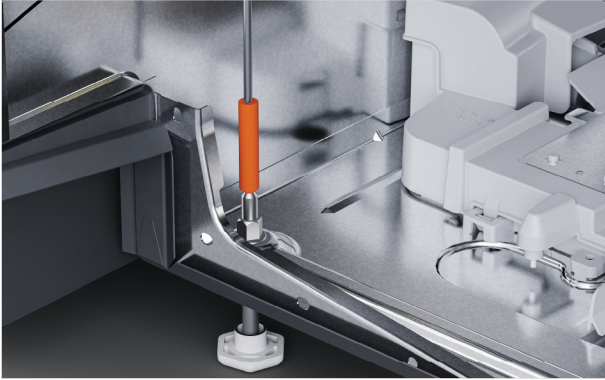


2. Pull the lower drawer halfway out to remove the tub.
On each side of the drawer, push locking tabs back.

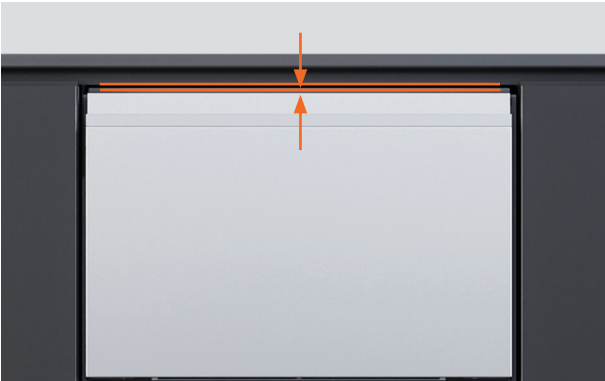


3. Place the drawer on a protected surface to the left of the appliance.
Do not stretch or disconnect the hoses and cords.

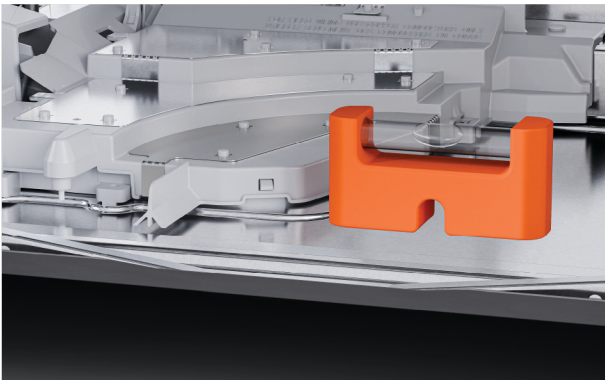
LEVEL THE DISHWASHER



4. Use a screw driver and the supplied tool or a wrench to adjust the height of each leg.



5. Check that the gap is a minimum of 1/16".



6. Place a level on the flat area of the chassis to check that the dishwasher is level from back to front and left to right.

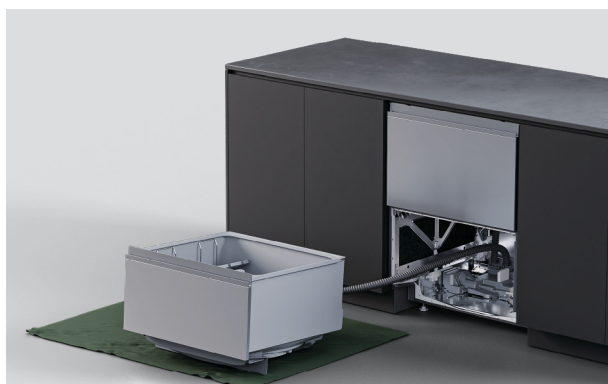
SECURE THROUGH CHASSIS SLOT

Slots in the chassis sides allow screws to be temporarily fixed and the dishwasher to be adjusted within the cavity. Panel alignment can then be checked before final fixing.

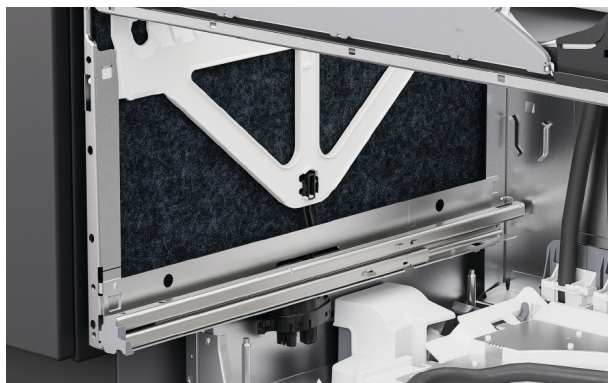


1. Pull the drawer halfway out to remove the tub.

On each side of the tub, push locking tabs back.



2. Place the drawer on a protected surface to the left of the appliance.

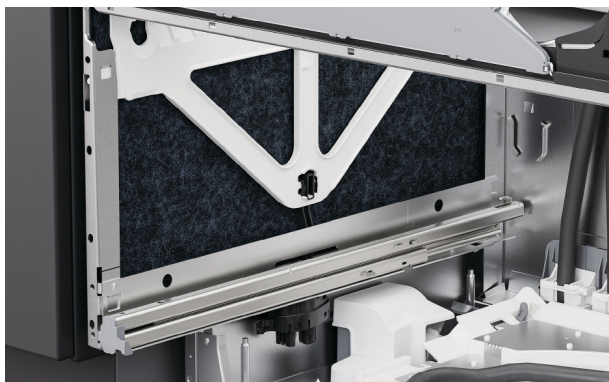


3. On the chassis sides, lift the insulation.

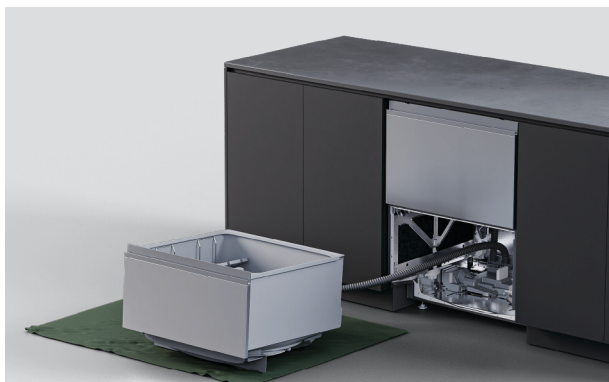
SECURE THROUGH CHASSIS SLOT



4. Fit a screw in each chassis slot to secure to the cabinet. Partially tighten screws ensuring adjustments can be made.

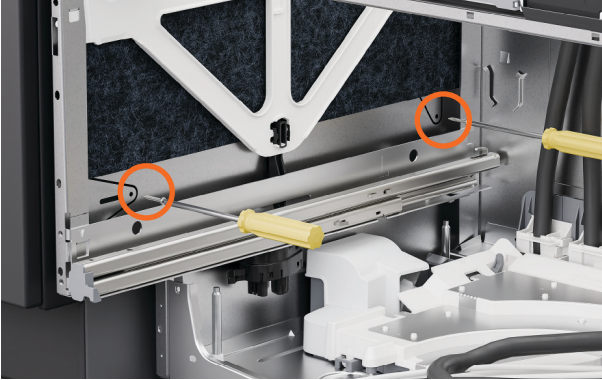


5. Refit insulation ensuring it is positioned correctly and will not obstruct the drawer runners.

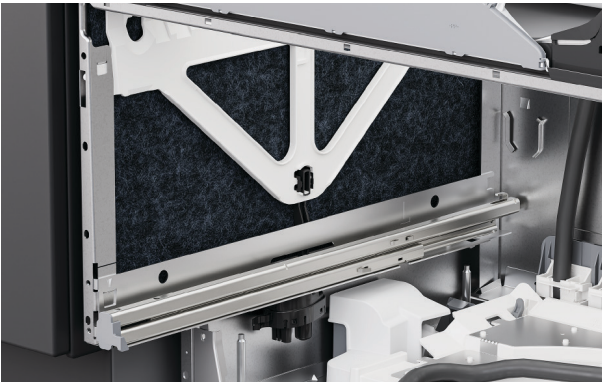


6. Check that the face of the top panel is aligned with the surrounding cabinetry. Adjust the dishwasher in the cavity if required.

SECURE THROUGH CHASSIS



1. Insert screws through the two holes on each side of the chassis.



2. Ensure insulation is repositioned correctly and will not obstruct the drawer runners.



3. Place the tub back onto the runners, pull locking tabs forward and click drawer into place.

SECURE USING BRACKETS



1. If using side brackets, partially open the top drawer. Lift the rubber seal and remove the left and right screw covers from the trim.



2. Fix side brackets using the supplied screws and replace the screw covers.

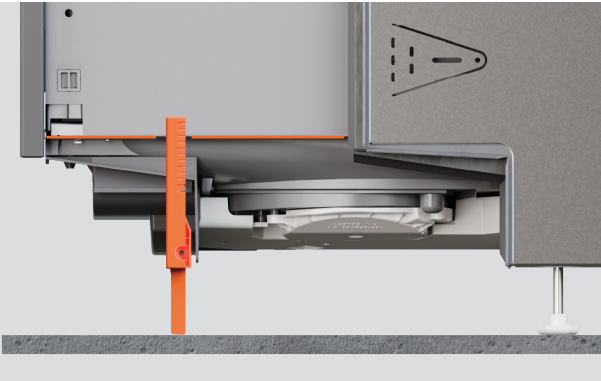


3. If top brackets are inserted, fix using the supplied screws. **Ensure the screw head is flush and clear of the top of the drawer panel when closed to avoid damage.**

INSTALL PRE-FINISHED TOE KICK



Select the **Pre-finished Toe Kick**. This toe kick is suitable for a depth of $1\frac{9}{16}$ - $2\frac{3}{16}$ ".



1. Open the bottom drawer.
Rotate the toe kick so the tabs are resting on the floor.



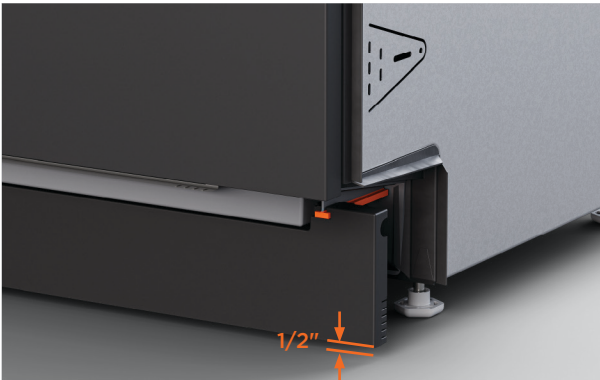
2. Mark the point where the toe kick meets the edge of the tub.

INSTALL PRE-FINISHED TOE KICK



3. Score the toe kick on both sides with a box cutter on a protective surface.

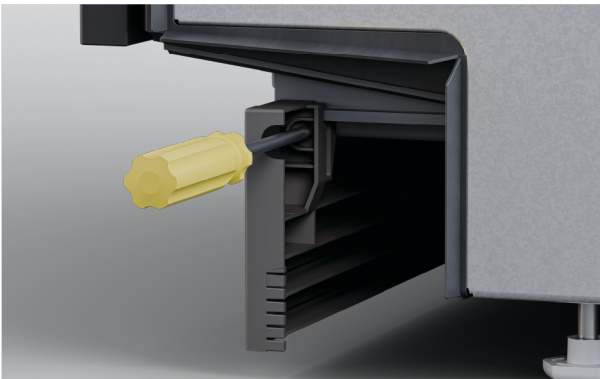
Snap or cut off excess and smooth the edge with a file.



4. Snap off the top tabs.

Slide the pre-finished toe kick along the T rails into position.

Ensure there is a 1/2" gap between the toe kick and the floor.



5. Tighten the side screws firmly but do not over tighten.

DRAIN CONNECTION OPTIONS

Water softener models: Water pressure: maximum 1 MPa (145 psi), min. 0.1 MPa (14.5 psi).

Non-water softener models: Water pressure: maximum 1 MPa (145 psi), min. 0.03 MPa (4.3 psi).

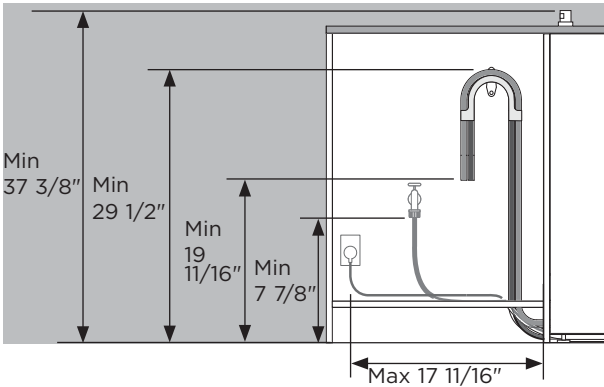
Water connection: 3/8" (9 mm) male compression fitting to suit flat washer

Recommended temperature: Cold (maximum 140F)

Kosher requirements

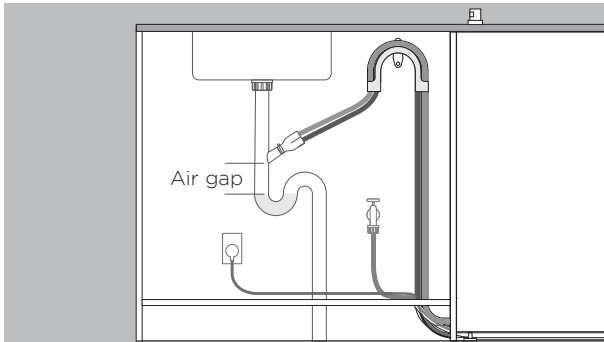
Drains will need to be separated to satisfy kosher requirements.

We recommend confirming the acceptability with your local rabbi in respect to kosher installations.



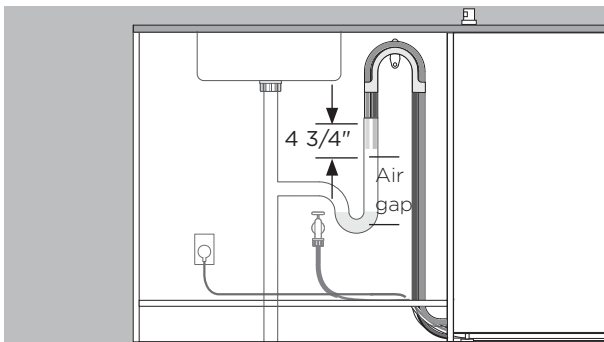
Distances are the same for all installs.

- Floor to air gap - min 37 3/8".
- Floor to support top - min 29 1/2".
- Floor to drain hose end - min 19 11/16".
- Floor to water inlet - min 7 7/8".
- Cabinet side to centre of electrical outlet - 17 11/16".



Drainage routed to spigot

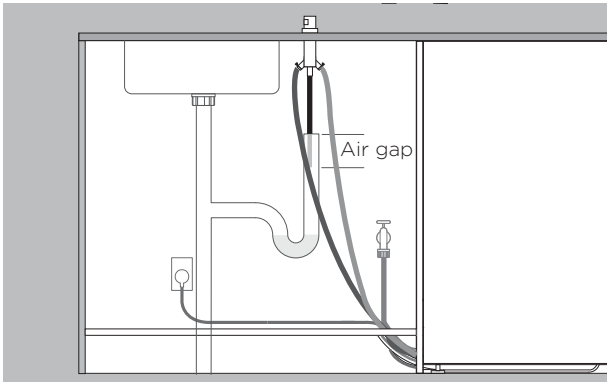
- Spigot must be higher than standing water with an air gap between to avoid drainage issues.
- Remove excess drain hose to prevent hose drooping below the spigot height.



Drainage routed to standpipe

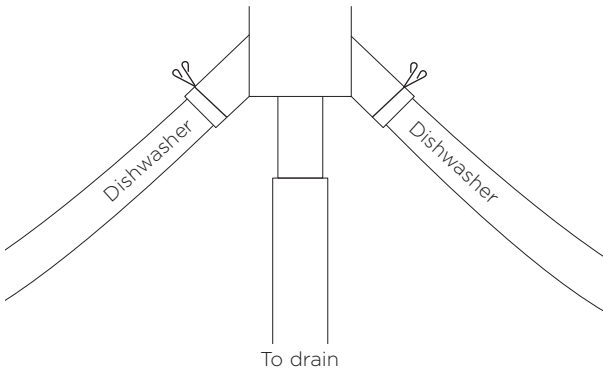
- Drain hose must be higher than standing water with an air gap between to avoid drainage issues.
- Remove excess drain hose.
- Hoses must not extend into standpipe more than 4 3/4".

DRAIN CONNECTION OPTIONS - DUAL AIR GAP



The Dual Air Gap installation method is recommended.

1. Install the Dual Air Gap Kit into the benchtop.

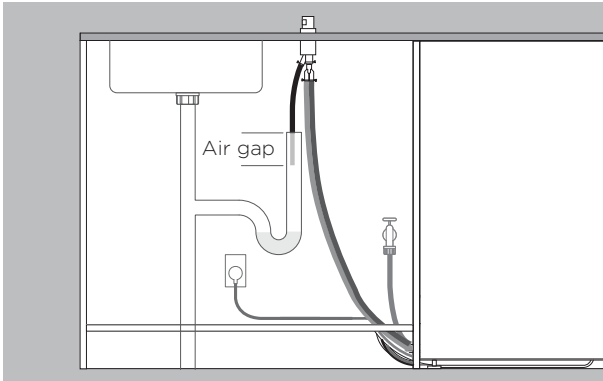


2. Thread wire clips on to the hoses before fitting both hoses to the Dual Air Gap Kit.

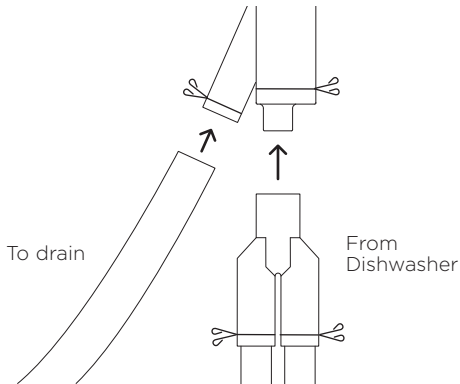
Secure using the wire clips.

Ensure hoses are routed straight to the kit, removing excess drain hose if necessary.

DRAIN CONNECTION OPTIONS - SINGLE AIR GAP



1. Install the Single Air Gap Kit into the benchtop.



2. Thread wire clips on to the hoses before fitting both hoses to the supplied hose joiner. Secure using the wire clips. Ensure hoses are routed straight to the joiner, removing excess drain hose if necessary.

INSTALL DRAIN

Ensure the drain hose support is properly installed and the hose is correctly threaded through to prevent damage and drainage issues.

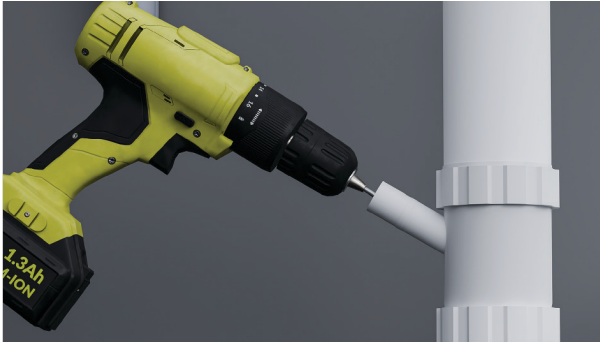
The dishwasher must not be drained into standing water.

If the drain hoses supplied are not long enough to reach your services, an 11ft, 9 3/4" drain hose extension kit is available at fisherpaykel.com



1. Install the drain hose support as close to the countertop as possible, with a minimum distance of 29 1/2" from the floor

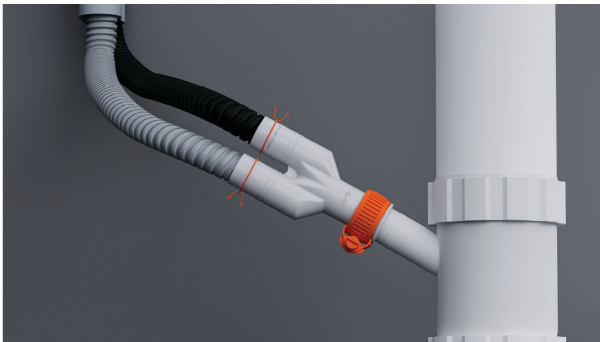
Thread the hoses through the support.



2. For connection to waste tee:

To avoid shavings entering the plumbing system, remove the waste tee before drilling.

Unplug or drill out the waste tee minimum 1/2" in diameter before securing joiner.



3. Thread wire clips on to the hoses.

Fit the hoses to the supplied hose joiner and secure using the wire clips provided.

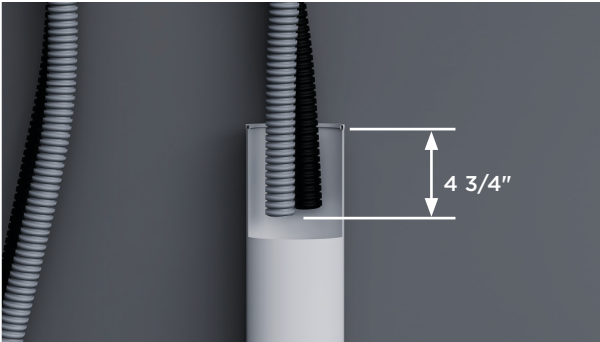
Ensure hose is routed straight to the joiner to avoid kinks that can restrict drainage.

INSTALL DRAIN



1. For connection to standpipe:

Pull both drain hoses through the support guide and rest in standpipe.



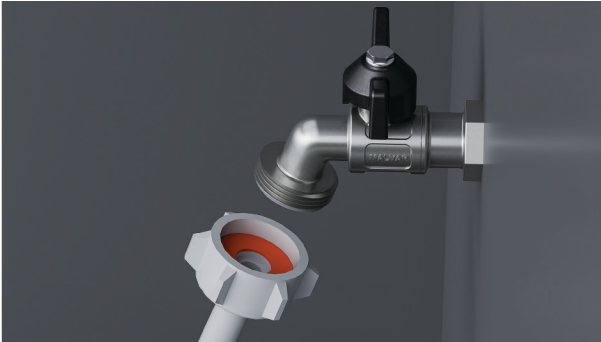
2. Ensure the hoses do not extend more than $4\ 3/4''$ into the standpipe to prevent wastewater siphoning back into the tub.

Hoses can be trimmed if necessary.

CONNECT WATER INLET

Do not turn water supply on before power has been connected. The dishwasher must be powered on for flood protection to be enabled.

Isolation taps are required to allow the water supply to be shut off.



1. Check that the supplied rubber washer is inserted into the coupling.



2. Connect the inlet hose to the tap.

Ensure the inlet hose is not kinked and the tap is not pulled or under pressure.

Do not shorten the inlet hose.



3. Hand-tighten into place. Using a spanner or pliers, turn a further 180° to secure. Avoid over-tightening.

CONNECT POWER

Electrical requirements: 120V, 60Hz, minimum current 8.7A

The power plug should be accessible after installation for maintenance.



1. Connect power.



2. Check the water connections.

Turn on the water supply and check for leaks.

The dishwasher must be powered on for flood protection to be enabled.

If power is to be disconnected, ensure water supply is turned off.

INSTALLER CHECKLIST

Installation

- If power is disconnected, ensure water supply is turned off to prevent flooding.
- Check all parts are installed correctly and are secure.
- Ensure all clearance gaps have been maintained.
- Ensure dishwasher is secure and drawer opens and closes freely with no resistance.
- Ensure any packaging or tape securing the racks and spray arm is removed.
- Check the spray arm is in place, mounted correctly and rotate freely.
- Ensure knock-to-pause module is fitted securely and operating correctly.

Plumbing

- Ensure any knock-outs or plugs in drain connection have been drilled out and drain connection has been made.
- The drain hose joiner must not support the weight of excess hose material. Keep drain hose as fully extended as possible to prevent sagging. Any excess length of drain hose should be kept on the dishwasher side of the high loop.
- Ensure inlet hose has supplied rubber washer fitted, and that it's tightened.
- If connecting the drain hose to the sink trap, ensure the high loop is a minimum 150mm higher than the drain hose joiner.
- Water softener models: adjust the water softener setting from the default setting to suit the water hardness of the area. Refer to your user guide.
- Ensure water supply is turned off until power is connected and turned on. The Dishwasher must be powered on for the flood protection feature to be enabled.

Electrical

- Ensure all electrical tests have been conducted in accordance with local regulations.

Test operation

- Turn on the power and water supplies, then open the drawer. You should hear a beep and see a program indicator light up on the control panel.
- Add three cups of water into the drawer.
- Navigate to RINSE and start the program.
- Check the knock-to-pause function
- Repeat for the other drawer.
- After the Rinse cycle has finished, ensure the dishwasher has run and drained correctly.
- Check the water supply has been shut off correctly.
- Check drainage connections for leaks.
- If site is left without power after installation is complete, ensure water supply is turned off to prevent flooding.**

INSTALLER CHECKLIST

Complete and keep for safe reference:

Model _____

Serial no. _____

Purchase date _____

Purchaser _____

Dealer address _____

Installer's name _____

Installer's signature _____

Installation company _____

Installation date _____

FISHERPAYKEL.COM

© Fisher & Paykel Appliances 2026. All rights reserved.

The models shown in this guide may not be available in all markets
and are subject to change at any time.

The product specifications in this guide apply to the specific products and
models described at the date of issue. Under our policy of continuous product
improvement, these specifications may change at any time.

For current details about model and specification availability in your country,
please go to our website or contact your local Fisher & Paykel dealer.

431376C 03.26