

# Induction Range, 30", 4 Zones with SmartZone, Self-cleaning

Series 9 | Professional

Stainless Steel

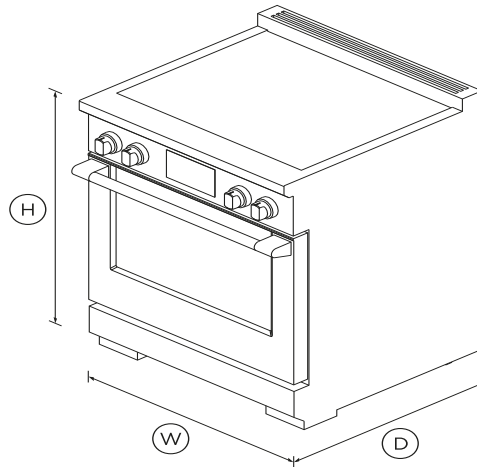


With intuitive touchscreen, induction cooktop and a convection oven with 15 functions, cooking on this refined range is a joy.

- Guided cooking using your touchscreen makes it simple to cook by food, function or recipe.
- Ability to pair two of the four induction cook zones to create a large SmartZone
- 4 cu ft total oven capacity
- Beautiful LED halo-illuminated dials provide information at a glance

## DIMENSIONS

Height	35 <sup>3</sup> / <sub>4</sub> - 36 <sup>3</sup> / <sub>4</sub> "
Width	29 <sup>7</sup> / <sub>8</sub> "
Depth	29 <sup>1</sup> / <sub>8</sub> "



## FEATURES & BENEFITS

### Cook with confidence

Our touchscreen interface provides an intuitive guided cooking experience that helps deliver perfect results, whether you've been cooking all your life or just starting out. Cook with a favorite method, a hero ingredient, or a go-to cooking function or recipe. The screen tilts for improved ergonomics and optimal visibility while cooking.

## SPECIFICATIONS

### Accessories

Square handle option	<b>AH-R30</b>
----------------------	---------------

### Cleaning

Pyrolytic self-clean	•
----------------------	---

### Controls

High resolution display	•
Metal illuminated dials	•

### Main oven features

Bake	•
Broil pan	•
Clean	•
Convection Bake	•
Convection Broil	•
Main oven- Self cleaning	•
Main oven- True convection	•
Number of main oven functions	<b>15</b>

### Oven features

Concealed element	•
Electronic oven control	•
Full extension telescopic	<b>2</b>
Internal light	•
Pyrolytic self-clean	•
True Convection	•

### Oven functions

Pyrolytic self-clean •

**Oven performance**

Main Oven Shelf Positions **5**  
 Main Oven Total Capacity **4cu ft**  
 Main Oven Usable Capacity **3.3cu ft**  
 Main oven- Bake **3500W**  
 Main oven- Broil **4000W**  
 Main oven- True convection **2500W**

**Power requirements**

Electric circuit **4 wire**  
 Rated current **30A**  
 Supply frequency **60Hz**  
 Supply voltage **120 - 240**

**Product dimensions**

Depth **29 1/8"**  
 Height **35 3/4" - 36 3/4"**  
 Width **29 7/8"**

**Rangetop features**

Gentle heat **3 settings (111°F, 158°F, 201°F)**  
 Heat settings **9**  
 Induction cooking technology •  
 PowerBoost all zones **up to 3700W**  
 SmartZone •  
 Zone bridging •

**Rangetop Performance**

Left front zone rating **1400W**  
 Left rear zone rating **2600W**  
 PowerBoost •  
 PowerBoost all zones **up to 3700W**  
 Right front zone rating **2100W**  
 Right rear zone rating **2100W**

**Safety**

Pan detection system •  
 Safety time out •  
 Surface hot indicators •

**Warranty**

Parts and labor **Limited 2 Years Parts & Labor**

SKU **81893**

The product dimensions and specifications in this page apply to the specific product and model. Under our policy of continuous improvement, these dimensions and specifications may change at any time. You should therefore check with Fisher & Paykel's Customer Care Centre to ensure this page correctly describes the model currently available. Å© Fisher & Paykel Appliances Ltd 2019.

**Other product downloads available at fisherpaykel.com**



User Guide



Service & Warranty Booklet



Installation Guide



**A PEACE OF MIND SALE**

**24 Hours 7 Days a Week Customer Support**

**T 1300 650 590 W www.fisherpaykel.com**