



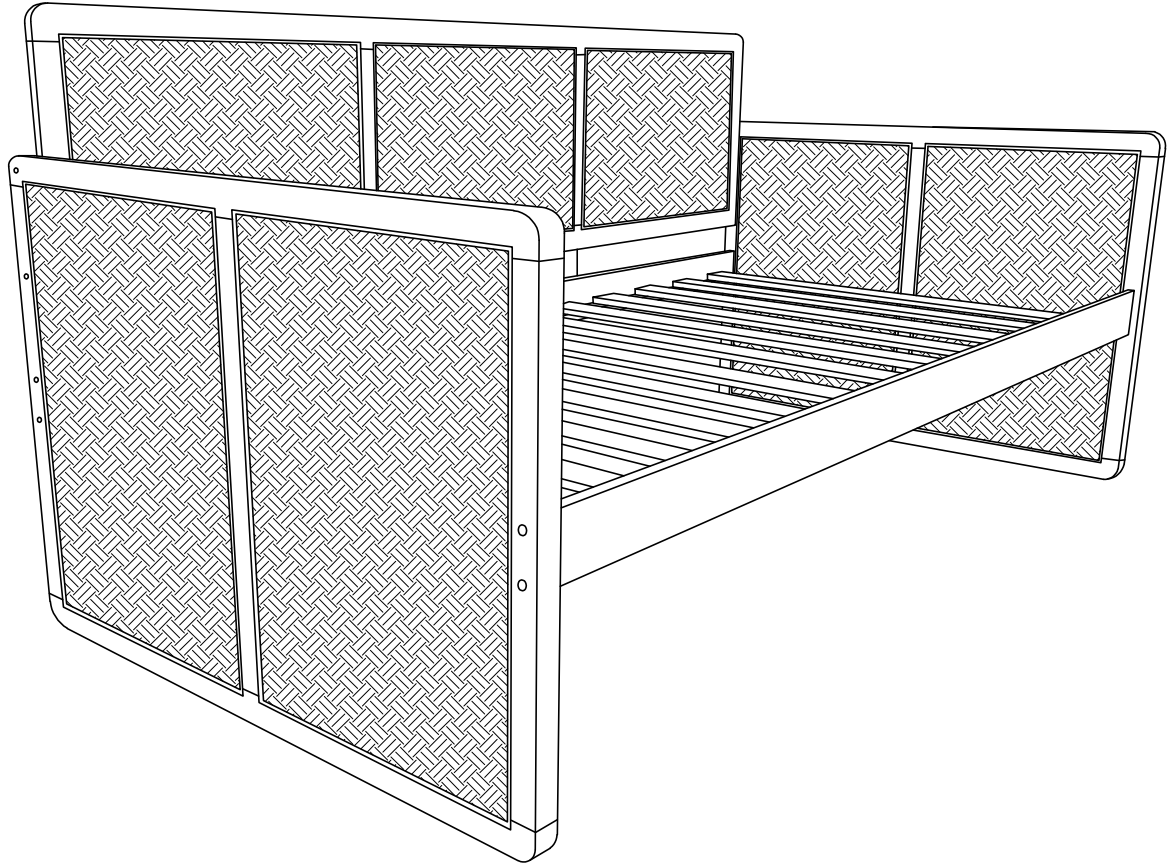
DO NOT RETURN TO RETAILER  
IF YOU HAVE ANY  
QUESTIONS OR CONCERNS  
PLEASE CALL  
KODIAK FURNITURE  
AT 651-641-0281  
MONDAY- FRIDAY 8AM TO 3:30 PM CST

OR EMAIL TO  
[info@kodiakfurniture.com](mailto:info@kodiakfurniture.com)  
OR VISIT OUR WEBSITE AT  
[www.kodiakfurniture.com](http://www.kodiakfurniture.com)

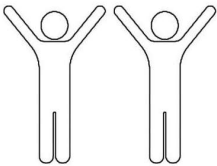


# Abaco Daybed

## Assembly Instructions



Required:



Tools Needed:



Allen Key provided

Please cover floor with corrugated cardboard / paper / carpet  
to avoid scratches / damages to floor

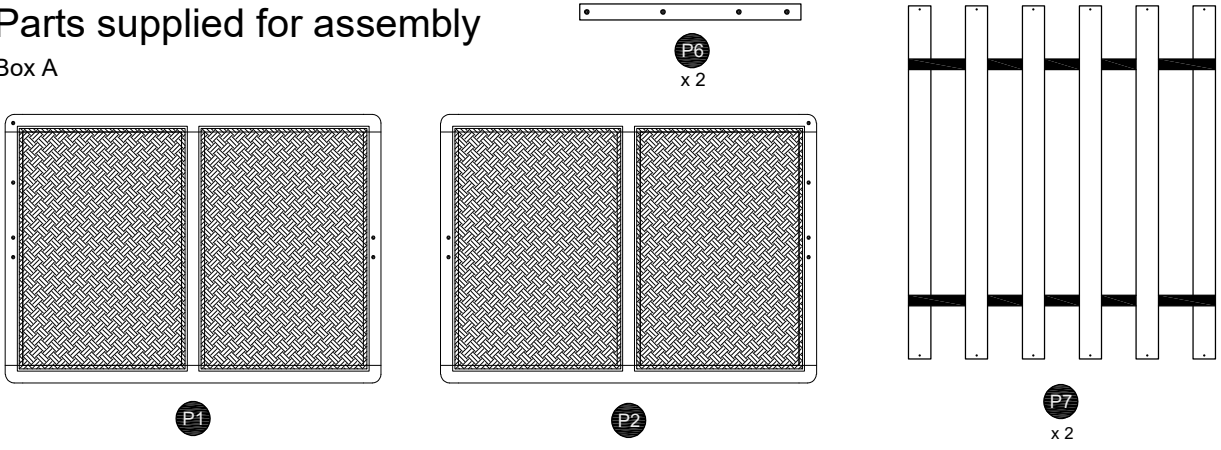
# Assembly Checklist

Please make sure that you have all of the below items before you start. If any are missing, please contact us for a replacement.



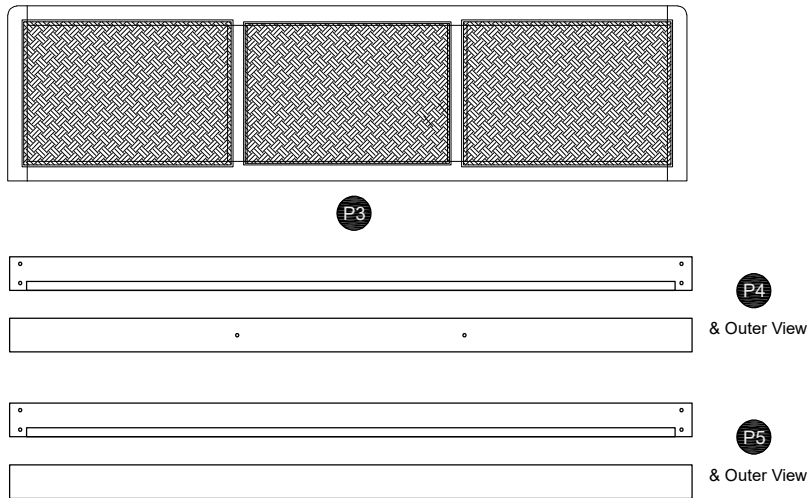
## Parts supplied for assembly

Box A

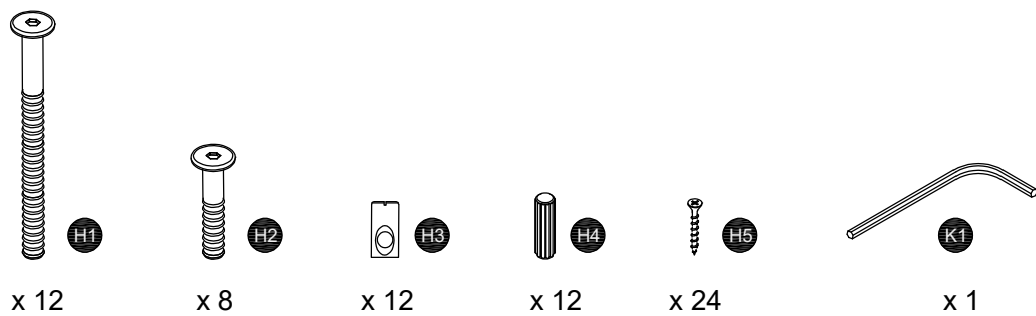


## Parts supplied for assembly

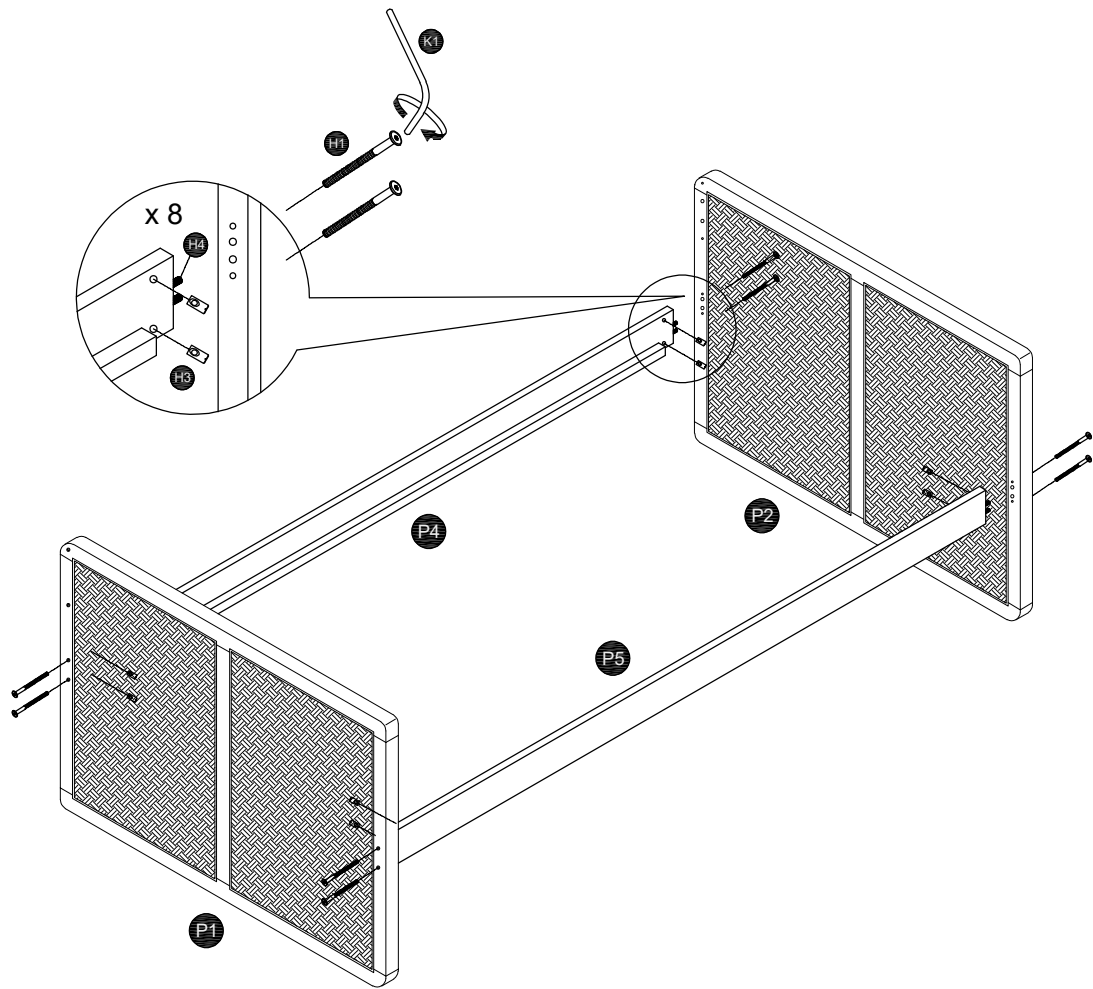
Box B



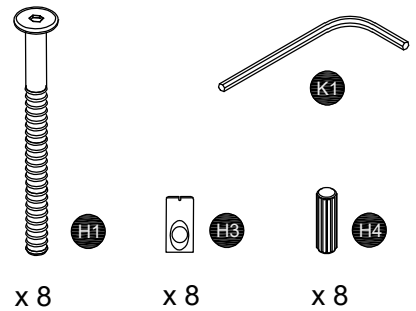
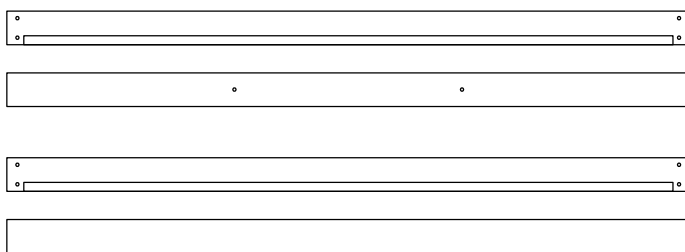
## Hardware supplied for assembly



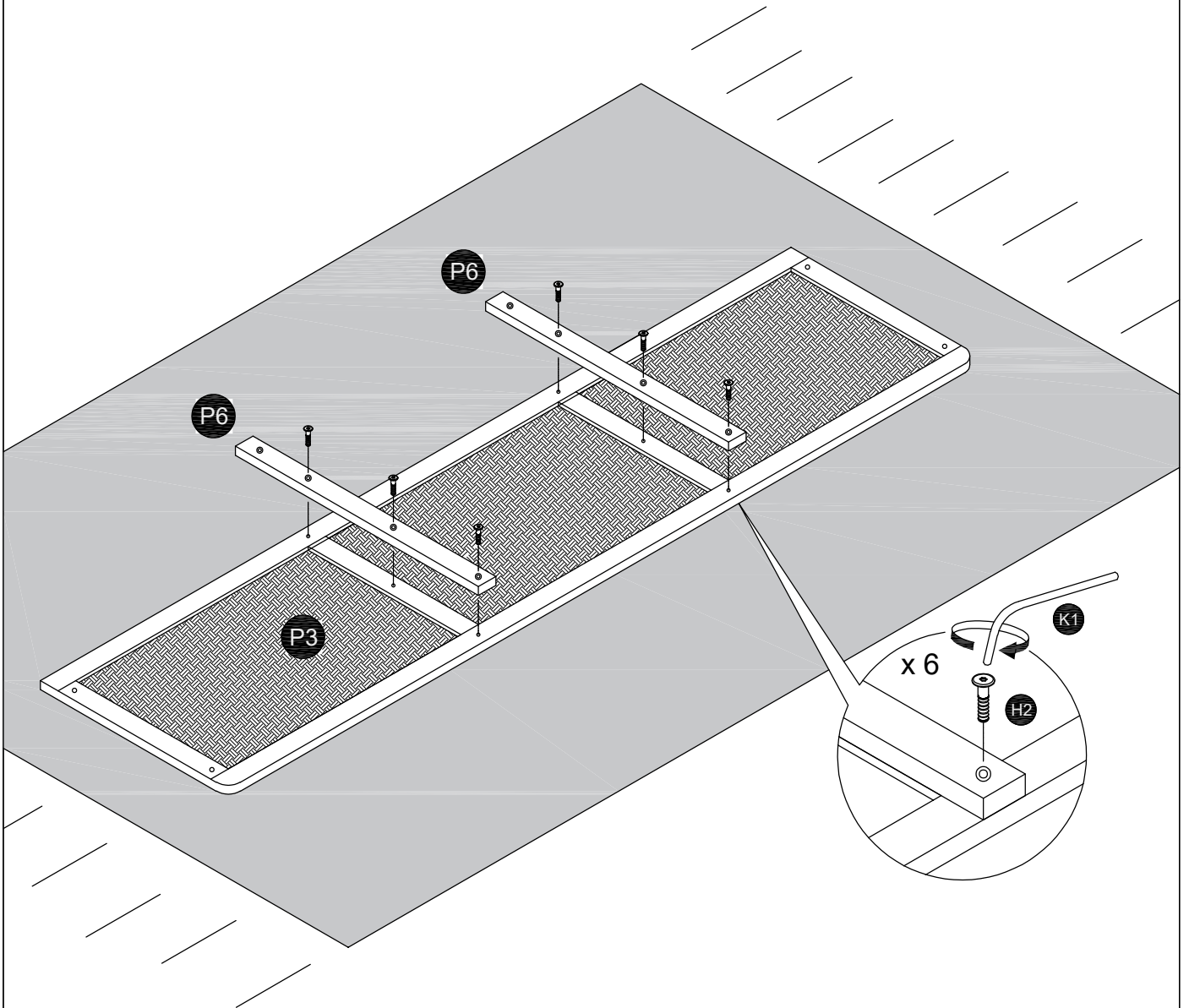
# Step 1: Attach P4 and P5 to both arms (P1 & P2)



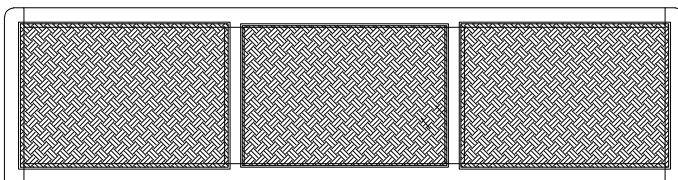
**IMPORTANT!** Loosely attach H1 bolts at this step.



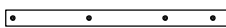
**Step 2: Attach P6 to P3 with hardware as shown**



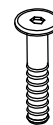
Tighten all bolts at this point.



P3



P6  
x 2

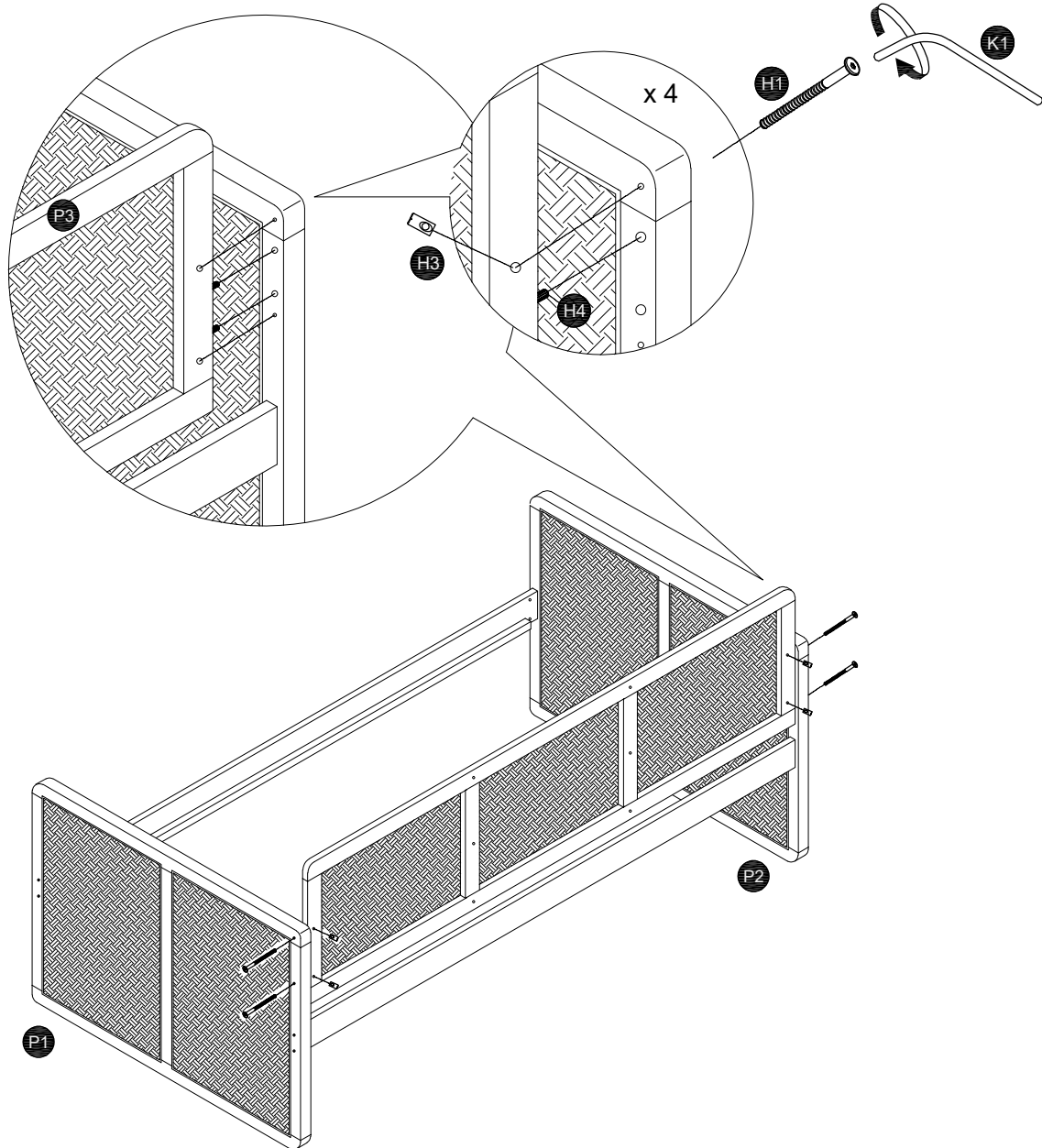


x 6

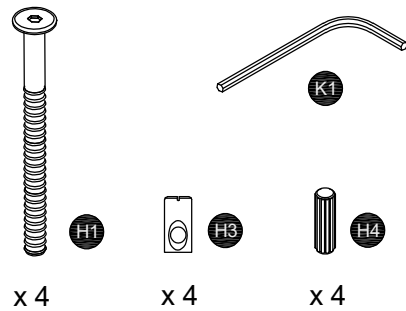
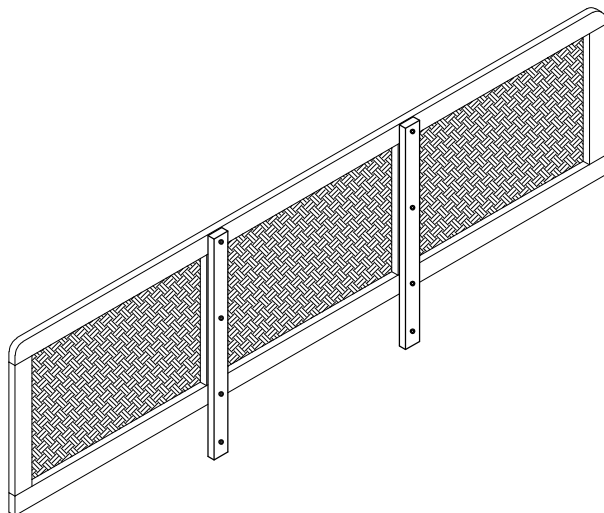


K1

### Step 3: Attach back panel P3 to Leg P1 & P2

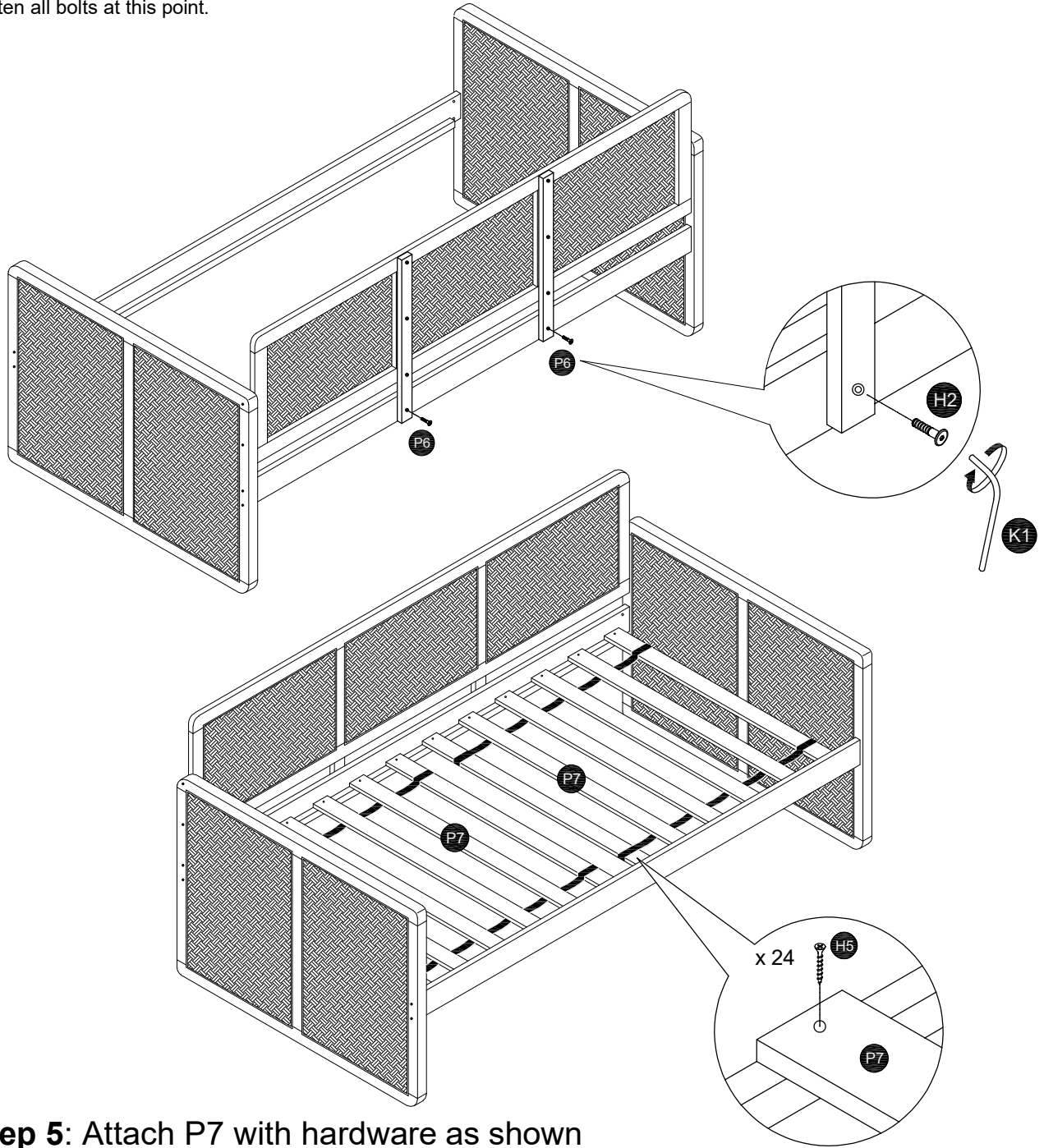


Pre-drilled holes should face back.



## Step 4: Secure P6 with hardware as shown

Tighten all bolts at this point.



## Step 5: Attach P7 with hardware as shown

Tighten all bolts at this point.

