

UC - 15I

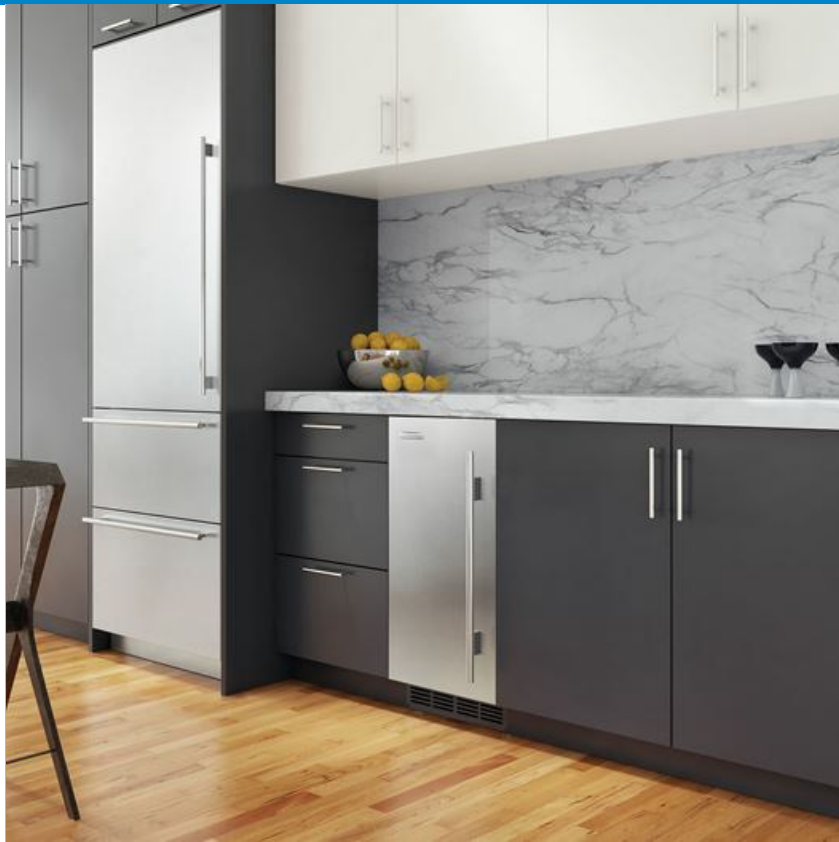
FEATURES

- Produces up to 50 lbs. of ice per day
- Water-filtration system reduces contaminants, chlorine taste and odor
- Produces ice in temperatures up to 100° F
- Clean and change filter indicator light
- Easy-access control panel
- Two, four and eight-hour delay feature
- Built-in ice scoop
- Rigorously tested in our U.S. manufacturing facilities to ensure decades of use
- Exceptional 24/7 support from Madison, WI-based Customer Care team

ACCESSORIES

- Stainless steel pro handles
- Stainless steel tubular handles
- Replacement water filter
- Cleaner and sanitizing solution
- Stainless steel front panels with pro or tubular Handles
- Stainless steel kickplate

Accessories are available through an authorized Sub-Zero dealer. For local dealer information, visit subzero-wolf.com/locator.



HANDLE ACCESSORIES

PRO



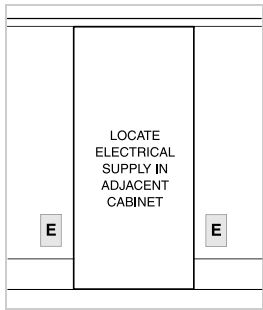
TUBULAR



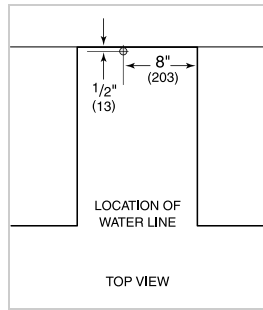
PRODUCT SPECIFICATIONS

Model	UC-15I
Dimensions	14 3/4"W x 33 5/8"H x 23"D
Door Clearance	18"
Weight	117 lb
Electrical Supply	115 VAC, 60 Hz
Electrical Service	15 amp dedicated circuit
Plumbing Supply	1/4" OD copper, braided stainless steel or PEX tubing
Plumbing Pressure	20–80 psi
Receptacle	3-prong grounding-type

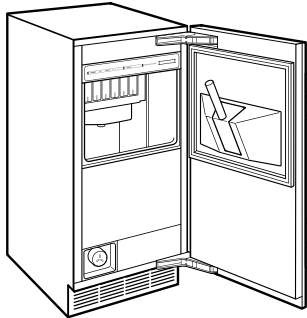
ELECTRICAL



PLUMBING

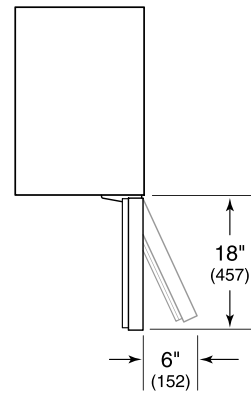
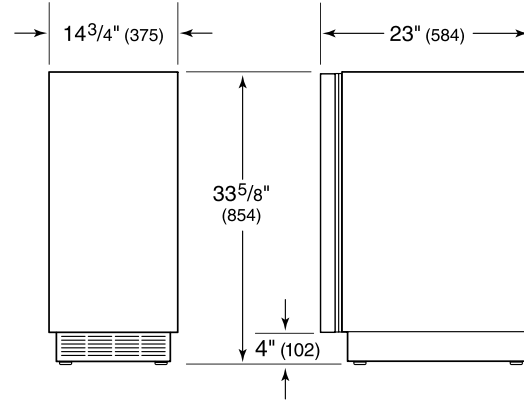


INTERIOR VIEW



This illustration is intended for interior reference only and may not represent the exterior of the model being specified.

DIMENSIONS



STANDARD INSTALLATION

