

# NE63T8511SS

SAMSUNG

## Samsung Smart Front Control Slide-In Electric Range with Air Fry & Wi-Fi

6.3 cu. ft. Capacity



### Signature Features

#### Air Fry

- Cooking just got healthier with new Air Fry mode.\* Using little to no oil, you can quickly prepare your favorite fried foods right in your oven. Air Fry tray included.

\*As compared to deep frying.

#### Convection+

- Powerful convection saves you time by cooking food fast and more evenly. Perfect for baking and roasting.

#### Fingerprint Resistant Finish

- Fingerprint resistant for an everyday beautiful finish.

### Available Colors



Fingerprint Resistant  
Stainless Steel (shown)



Fingerprint Resistant  
Black Stainless Steel

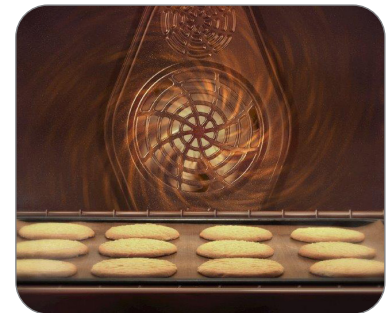
### Bespoke Finish



White Glass



Air Fry



Convection+

### Features

- Air Fry, Tray Included
- Convection+
- Fingerprint Resistant Finish
- Large Oven Capacity – 6.3 cu. ft.
- Rapid Boil™ – 3300 W Element
- Glass Touch Controls
- Ready2Fit™ Guarantee
- Storage Drawer

- Flexible Cooktop:  
Five Element Cooktop
  - One Triple Element (6"/9"/12")
  - One Dual Element (6"/9")
  - Two Single Elements (6")
  - Warming Center

### Convenience

- Wi-Fi
- Voice Control
- Convection+
- Self & Steam Clean
- Hidden Bake Element
- Child Safety Lock
- Delay Start
- Auto Oven Light
- Kitchen Timer
- Sabbath Mode



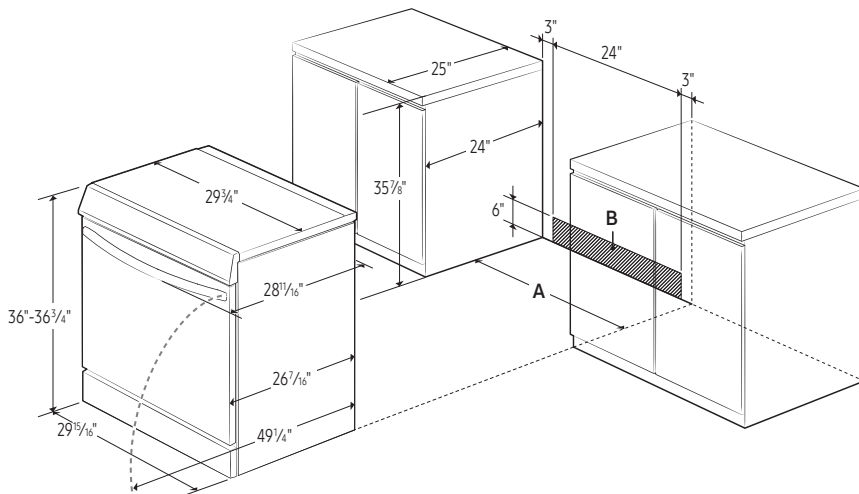
# NE63T8511SS

# SAMSUNG

## Samsung Smart Front Control Slide-In Electric Range with Air Fry & Wi-Fi

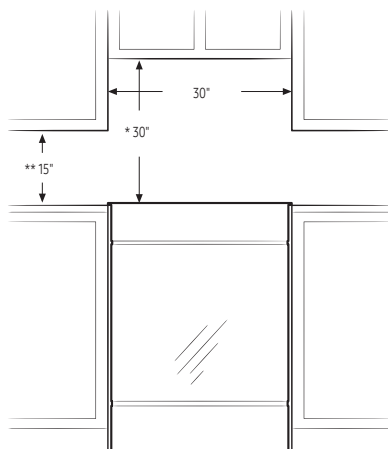
6.3 cu. ft. Capacity

### Installation Specifications



A: Cabinet opening min 30"  
B: Acceptable electrical outlet area

**IMPORTANT:** If your cabinets are over 36<sup>3</sup>/<sub>4</sub>" high, you must install this range on a hard, heat-resistant support that raises the surface of the range so that it is about even with the countertop.



\* 30" minimum clearance between the top of the cooking surface and the bottom of an unprotected wood or metal cabinet; or 24" minimum when the bottom of the wood or metal cabinet is protected by not less than 1/4" of flame retardant millboard covered with not less than no.28 MSG sheet steel, 0.015" stainless steel, 0.024" aluminum, or 0.020" copper.

\*\*15" minimum between the countertop and the adjacent cabinet bottom.

**IMPORTANT:** Consult with Installation Manual for detailed instructions before installing. All ranges must be installed with the Anti-Tip device that is included.

#### Power Source

240V/208V/60 Hz/40A

#### Electric Cooktop

- Right Front: 6"/9"/12" Triple Element, 3000 W
- Left Front: 6"/9" Dual Element, Rapid Boil™ 3300 W
- Right Rear: 6", 1200 W
- Left Rear: 6", 1200 W
- Center: 7", Warming Center

#### Oven

- Capacity: 6.3 cu. ft.
- Convection Element/Heater
- Convection Bake
- Convection Roast
- Bake
- Air Fry
- Bread Proof
- Dehydrate

#### Warranty

One (1) Year Parts and Labor

#### Product Dimensions & Weight (WxHxD)

Oven Interior Dimensions:

24<sup>13</sup>/<sub>16</sub>" x 22<sup>7</sup>/<sub>16</sub>" x 19<sup>3</sup>/<sub>4</sub>"

Outside Net Dimensions:

29<sup>15</sup>/<sub>16</sub>" x 36-36<sup>3</sup>/<sub>4</sub>" (Adjustable) x 28<sup>11</sup>/<sub>16</sub>"

Weight: 174 lbs

#### Shipping Dimensions & Weight (WxHxD)

Dimensions:

33<sup>1</sup>/<sub>16</sub>" x 41<sup>3</sup>/<sub>4</sub>" x 30<sup>5</sup>/<sub>16</sub>"

Weight: 194 lbs

#### Standard Finishes

Standard Finishes	Model #	UPC Code
Fingerprint Resistant Stainless Steel	NE63T8511SS	887276409054

Fingerprint Resistant Black Stainless Steel	NE63T8511SG	887276409047
---	-------------	--------------

#### Bespoke Finish

White Glass	NE63BB851112	887276697659
-------------	--------------	--------------

