

# GLS-SIM

## Crestron Green Light® Sensor Integration Module

The GLS-SIM is a compact interface device designed to allow Crestron Green

Light® sensors to be connected directly to a Cresnet control network.

Cresnet® is the communications backbone for Crestron sensors, dimmers,

keypads, touchpanels, shade controllers, thermostats, and many other

devices. This flexible 4-wire bus provides data communications and 24

Volts DC power for all of the devices on the Cresnet network. The GLS-SIM

installs easily at the sensor location, mounting conveniently inside the

electrical box or exposed above the ceiling. Wiring connections to the

network and sensor are facilitated using miniature screw terminals.

The GLS-SIM is compatible with Crestron GLS-series sensors, as well as

with most 24 Volt-powered sensors from any manufacturer. Up to 1A @ 24VDC

power is available<sup>[1]</sup> to support multiple sensors in parallel. The GLS-SIM actually includes two sensing inputs, each capable of

sensing a

contact closure, logic level, or 0-10V analog signal. When used with a

Crestron IPAC or iLux® system, setup is simplified using onboard DIP

switches to select the sensor type (i.e. occupancy, photocell, partition,

etc.) and operating mode (i.e. normally-open or normally-closed).

### SPECIFICATIONS

#### Connectors

NET: (1) 4-pin 5mm detachable terminal block;

SENSOR: (1) 4-pin 3.5mm detachable terminal block;

Sensor input comprised of 24VDC power output and (2) digital or



#### LED Indicators

PWR: (1) green LED, indicates 24 Volts DC power supplied from Cresnet

control network

NET: (1) yellow LED, indicates communication with Cresnet system

SETUP: (1) red LED, used for touch-settable ID (TSID)

#### Environmental

Temperature : 32° to 104°F (0° to 40°C)

Humidity : 0% to 95% RH (non-condensing)

#### Power Requirements

Cresnet Power Usage: 1 Watt (0.04 Amps @ 24 VDC) (Does not include power

draw of attached devices.)

#### Dimensions

Height: 2.00 in (51 mm)

Width: 2.00 in (51 mm)

Depth: 0.86 in (22 mm)

#### Weight

# GLS-SIM

## Crestron Green Light® Sensor Integration Module

### ACCESSORIES

GLS-LOL:

GLS-LCL:

GLS-ODT-W-1200:

GLS-OIR-W-2500:

CRESNET-HP-NP-TL-SP1000:

CRESNET-NP-BK-B500:

CRESNET-P-BK-SP500:

CRESNET-HP-NP-TL-SP500:

CRESNET-NP-OR-B500:

CRESNET-NP-TL-B250:

CRESNET-NP-TL-B500:

CRESNET-NP-TL-SP1000:

CRESNET-NP-TL-SP500:

CRESNET-P-OR-SP500:

CRESNET-P-TL-SP1000:

CRESNET-P-TL-SP500:

Notes:

1.

Actual load capability dependent upon the amount of available Cresnet power in the system.

This product may be purchased from an authorized Crestron dealer. To find a dealer, please contact the Crestron sales representative for your area. A list of sales representatives is available online at [www.crestron.com/salesreps](http://www.crestron.com/salesreps) or by calling 800-237-2041.

Specifications subject to change without notice. Crestron is not responsible for errors in typography or photography.

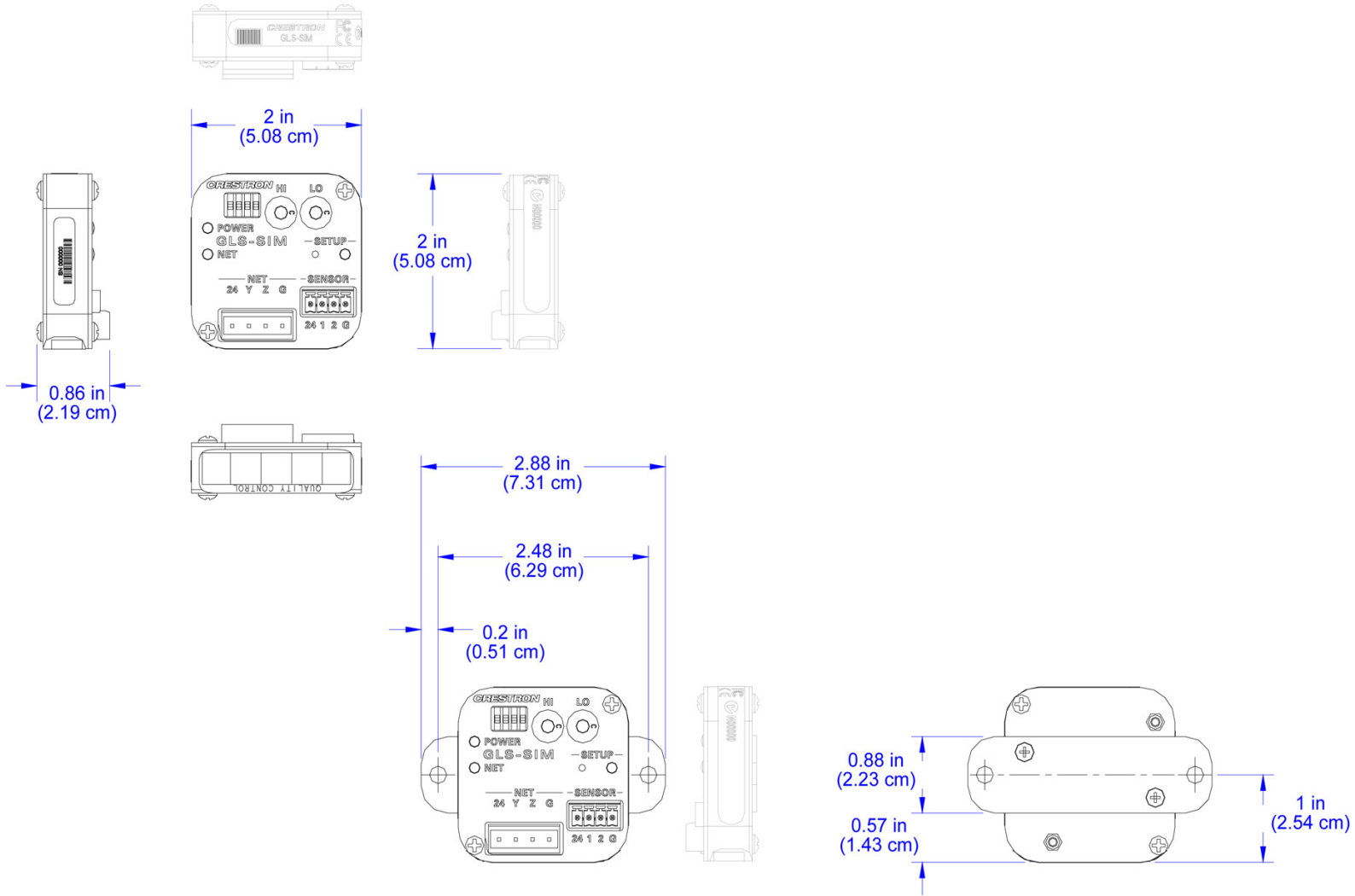
The specific patents that cover Crestron products are listed online at: [patents.crestron.com](http://patents.crestron.com).

Cresnet, Crestron, Crestron Green Light, the Crestron logo, and iLux are either trademarks or registered trademarks of Crestron Electronics, Inc. in the United States and/or other countries. Other trademarks and trade names may be used in this document to refer to either the entities claiming the marks and names or their products. Crestron disclaims any proprietary interest in the marks and names of others.

©2012 Crestron Electronics, Inc.

# GLS-SIM

## Crestron Green Light® Sensor Integration Module



# GLS-SIM

## Crestron Green Light® Sensor Integration Module

