

THE IDEAL CHOICE FOR
STORING AND SERVING

XO

XOU24WDZGS

DUAL ZONE WINE COOLER | PANEL READY

DUAL
ZONE



Easy to use touch control panel for precise dual zone climate control.



Full telescoping racks cradle your bottles to help dampen vibration.



Zero Clearance Hinge Enables True Flush Install

KEEP 16 BOTTLES IN THE UPPER ZONE READY TO SERVE AT 41° to 50° F
WHILE UP TO 30 BOTTLES ARE STORED IN THE LOWER ZONE AT 50° TO 64° F

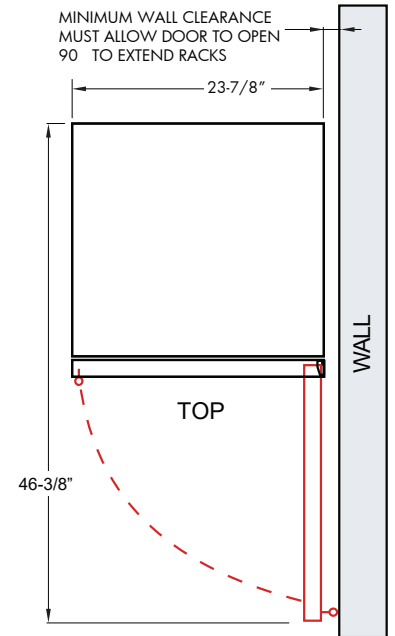
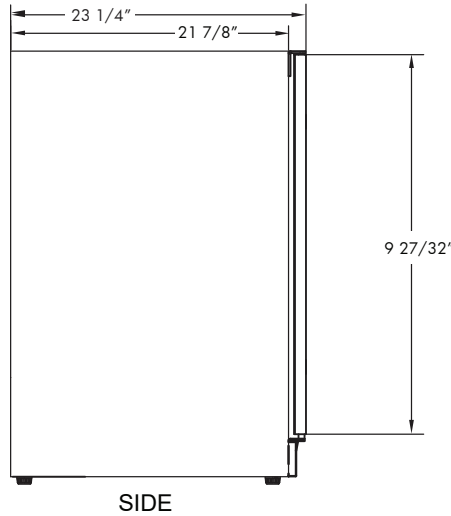
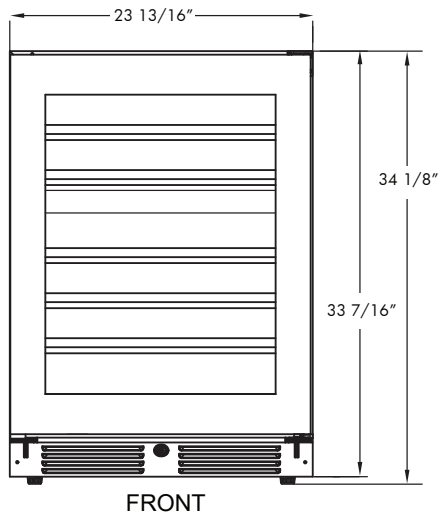
This elegant and efficient dual zone wine storage and serving center is the perfect choice for convenient entertaining. Keep both red and white wine close at hand with easy undercounter installation. Your XO Dual Zone Wine Cooler gives you the best of both worlds. When it's all about the wine - it's all about XO.

www.xoappliance.com

MODEL: XOU24WDZGO_*

24" DUAL ZONE WINE COOLER

*Specify **R** for right hand hinge - or - **L** for left hand hinge

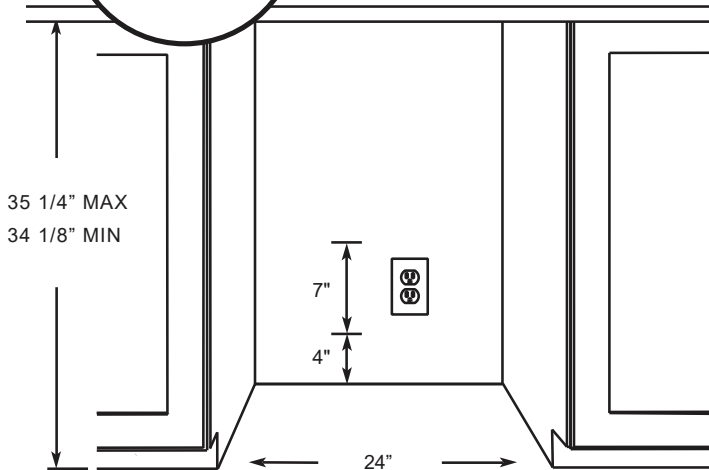


ROUGH-IN

SPECIFICATIONS



THE 6' FLAT PLUG POWER CORD SUPPLIED ON YOUR XO WINE COOLER ENSURES AN EASY FLUSH INSTALLATION

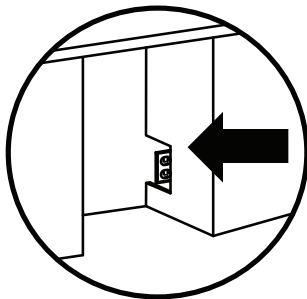


Size	24"
Dimensions	23 7/8"W x 34 1/8"H x 23 1/4"D
Installation Type	Built-in / Freestanding
Refrigerant Type	R600a
Electrical	115V 60Hz 1.5A USE DEDICATED 15A CIRCUIT
Temperature Range	Lower Zone: 50° - 64° F HOLDS UP TO (30) 750ml BOTTLES Upper Zone: 41° - 50° F HOLDS UP TO (16) 750ml BOTTLES

Panel Dimensions: refer to operating and installation manual. Panel must not exceed 3/4" thick and 20 lbs.

Low-E Glass

* The void between the twin layers of coated glass is filled with Argon, a harmless, natural, inert gas further improving their insulation value. In addition to reducing energy use - this limits the transmission of damaging sound, vibration and light, particularly UV light which can harm wine.



TIP:
IN TIGHT INSTALLATIONS CUT THROUGH AN ADJACENT CABINET WALL TO REACH AN OUTLET INSTALLED THERE

XOU24WDZGS_SPECreVA
9/2019
Not responsible for typographical errors or misprints



XO the next level
in luxury appliances
www.xoappliance.com

XO is exclusively distributed through
EASTERN MARKETING CORP.
24 Eisenhower Parkway, Roseland, NJ 07068
p. 973.403.8900

INTOXICATING FEATURES FROM **XO**



IN THE ZONE

DIFFERENT WINES - DIFFERENT TEMPERATURES. WITH TWO DISTINCT ZONES YOU HAVE JUST THE RIGHT CONDITIONS TO BOTH STORE AND SERVE.



NO ADMITTANCE

SECURE DOOR LOCKS KEEP YOUR COLLECTION SAFE.



SHHH... YOUR WINE IS SLEEPING

VIBRATION, NOISE AND LIGHT ARE SOME OF WINE'S ENEMIES. UV BLOCKING LOW-E GLASS AND VIBRATION DAMPENING PROTECT YOUR FAVORITE VINTAGES.



FAN CLUB

FILTERED, CONDITIONED AIR IS CIRCULATED TO HELP ENSURE EACH ZONE PROVIDES A STABLE, UNIFORM CLIMATE.



SELECTABLE INTERIOR LED LIGHTING IN:
THEATER WHITE
MIDNIGHT BLUE
HONEY AMBER

LEDS ARE COOL

COOL RUNNING INTERIOR LEDES DRAMATICALLY ILLUMINATE YOUR BOTTLES WHILE SAVING ENERGY.



FLUSH INSTALLATION

YOUR XO IS DESIGNED TO INTEGRATE SEAMLESSLY INTO CABINETRY WITH ZERO CLEARANCE HINGES AND FLAT PLUG POWER CORD.

XO HAS THE BEST WARRANTIES AND SERVICE...

