



BRAMBLE

PRODUCT TEARSHEET



Vivienne Bench

Shown in: **SNB SF204**

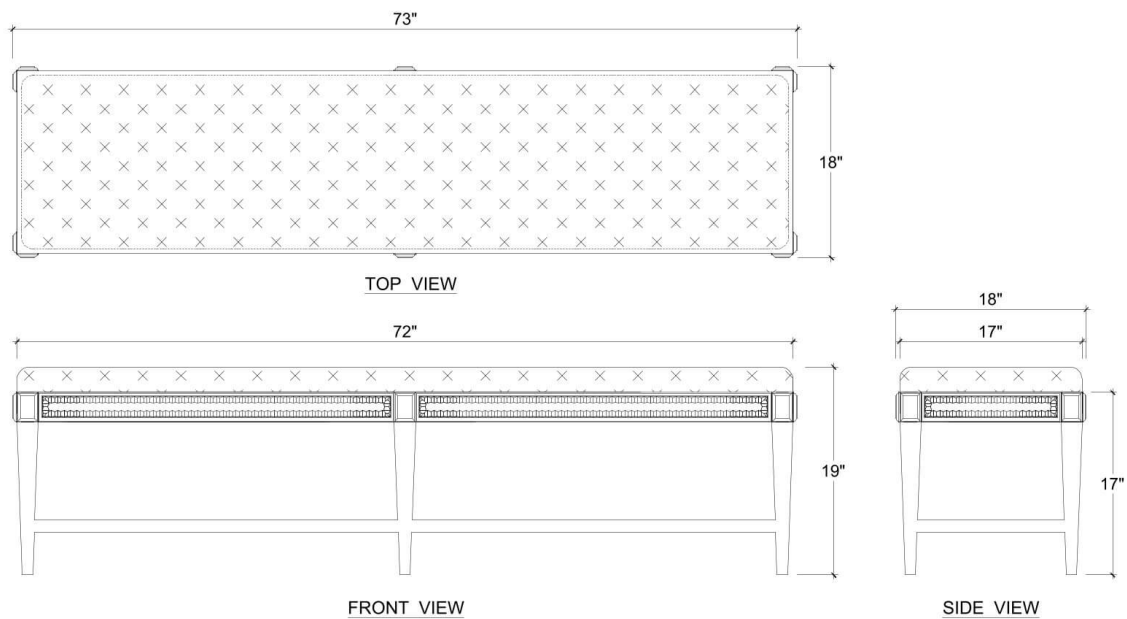
SKU: **29038**

Size: **73W x 18D x 19H in**



Overview

Savannah Large Bench



Visual Highlights



Technical Specification

Dimensions	73W x 18D x 19H in	CBM	0.518616
Number of Packages	1	Cubic Feet	18.31 ft³
Package 1 Dimensions	48.8 x 3.1 x 65.7 in	Package 1 Weight	15.43 lbs
Package Weight Total	15.43 lbs	Net Weight	11.02 lbs

New

<https://www.brambleco.com/29038>
