

VALIANCE®

by



HOSHIZAKI

Parts List

VUR27A

TABLE OF CONTENTS

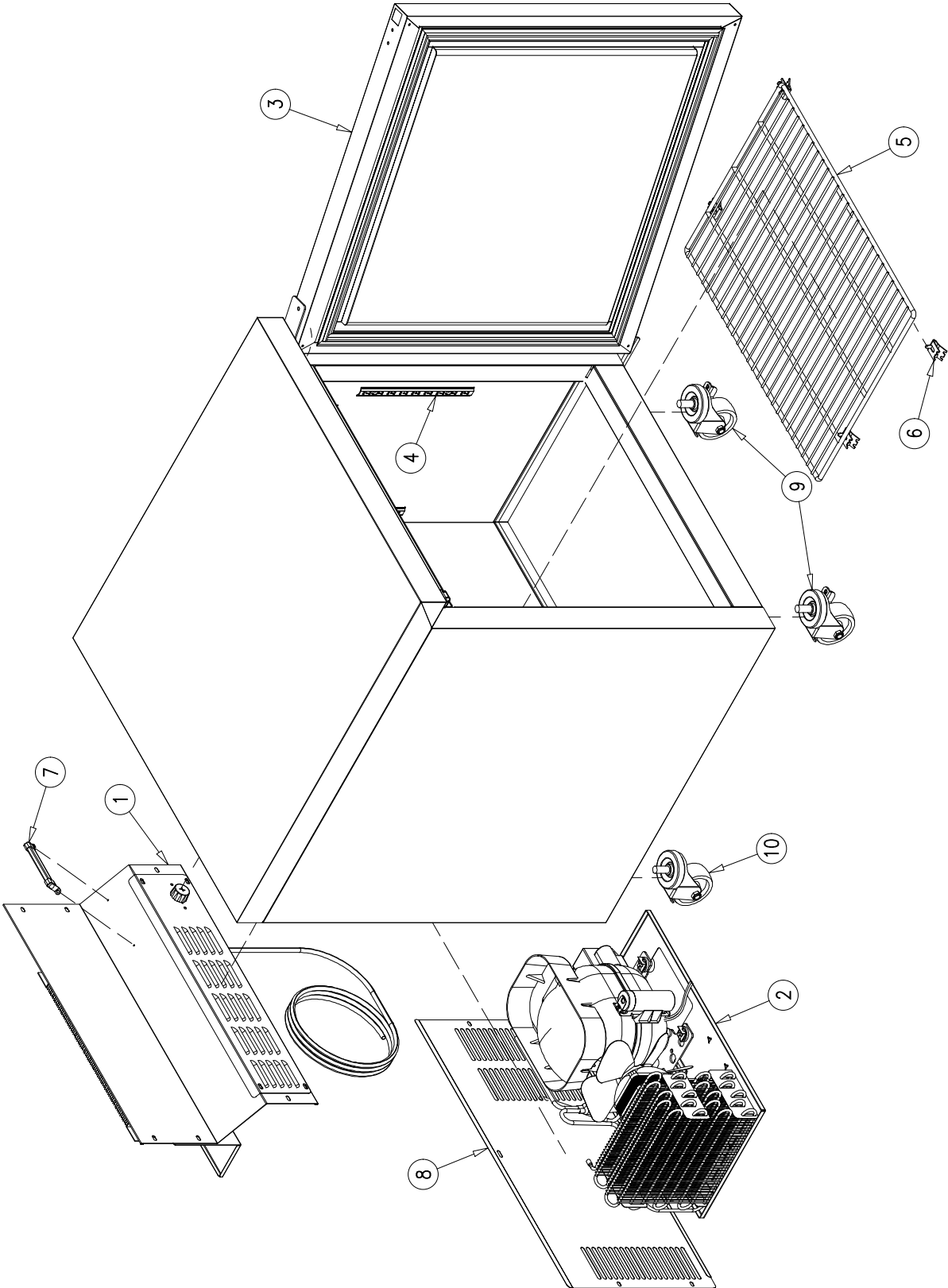
MAIN ASSEMBLY	3
EVAPORATOR ASSEMBLY	5
CONDENSING UNIT ASSEMBLY	7
DOOR ASSEMBLY	9

NOTE:

To order spare parts, always include the following information:

- *Model Number* _____
- *Serial Number* _____

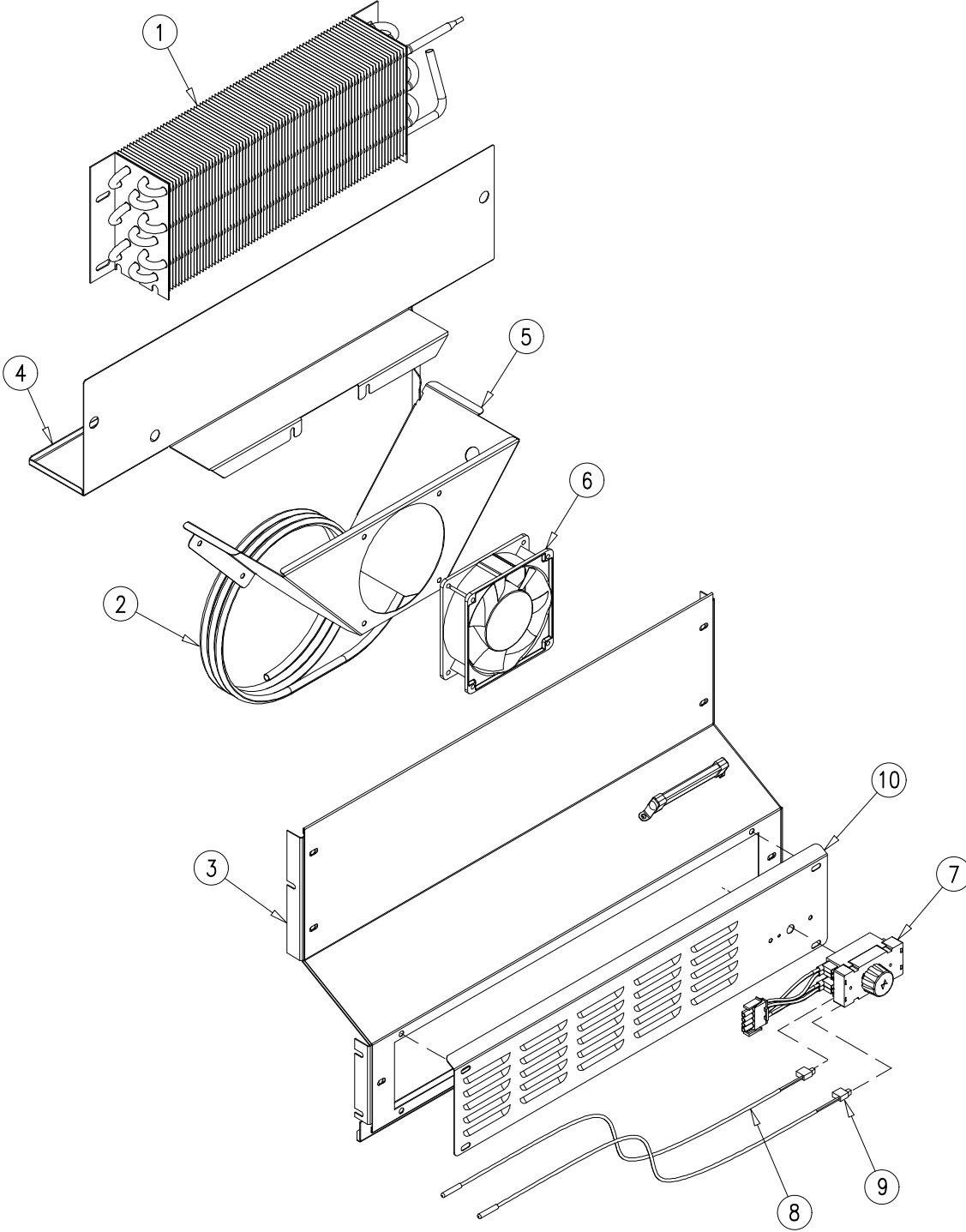
MAIN ASSEMBLY



MAIN ASSEMBLY

<i>Item No.</i>	<i>Description</i>	<i>Part No.</i>	<i>Quantity per cooler</i>
1	EVAPORATOR ASSEMBLY	OT-EV-0256	1
2	CONDENSING UNIT ASSEMBLY	OT-UN-0393	1
3	DOOR ASSEMBLY	OT-PTA-0257-836	1
4	PILASTER (233 mm)	OT-PI-5-233	4
5	FLAT SHELF	SH-0559-HD-GR	1
6	SHELF CLIPS	CL-51-SS-E	4
7	THERMOMETER	TH-1-E	1
8	BACK GRILL	OT-22328	1
9	FRONT LOCKING CASTER	CA-4-BR	2
10	BACK NON-LOCKING CASTER	CA-4	2

EVAPORATOR ASSEMBLY

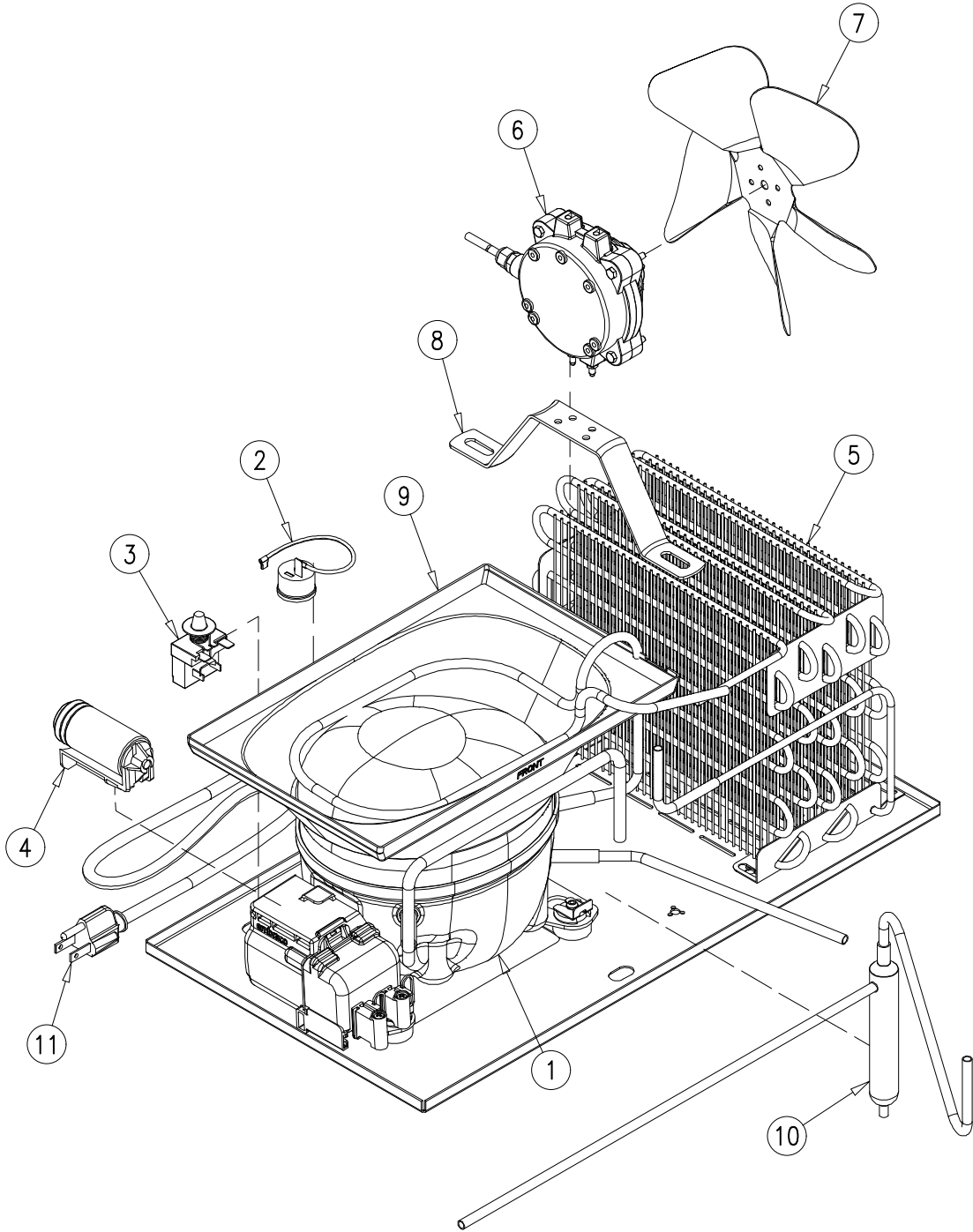


EVAPORATOR ASSEMBLY

<i>Item No.</i>	<i>Description</i>	<i>Part No.</i>	<i>Quantity per cooler</i>
1	EVAPORATOR	CO-476	1
2	HEAT EXCHANGER	TUB-1301	1
3	SHROUD	OT-22285	1
4	EVAPORATOR SUPPORT	OT-22297	1
5	EVAPORATOR FAN MOTOR BRACKET	OT-22298	1
6	EVAPORATOR FAN MOTOR	FA-110-0396	1
7	CONTROL MODULE	CT-198-CO-326-K*	1
8	CABINET THERMISTOR	CT-180-3-CO	1
9	DEFROST THERMISTOR	CT-180-4-CO	1
10	CONTROL MODULE BRACKET	OT-22818	1

* THE PART NUMBER CT-198-CO-326-K INCLUDES:
CONTROL MODULE CT-198-CO-326
CONTROL MODULE HARNESS OT-AR-7114
CABINET THERMISTOR CT-180-3-CO
DEFROST THERMISTOR CT-180-4-CO

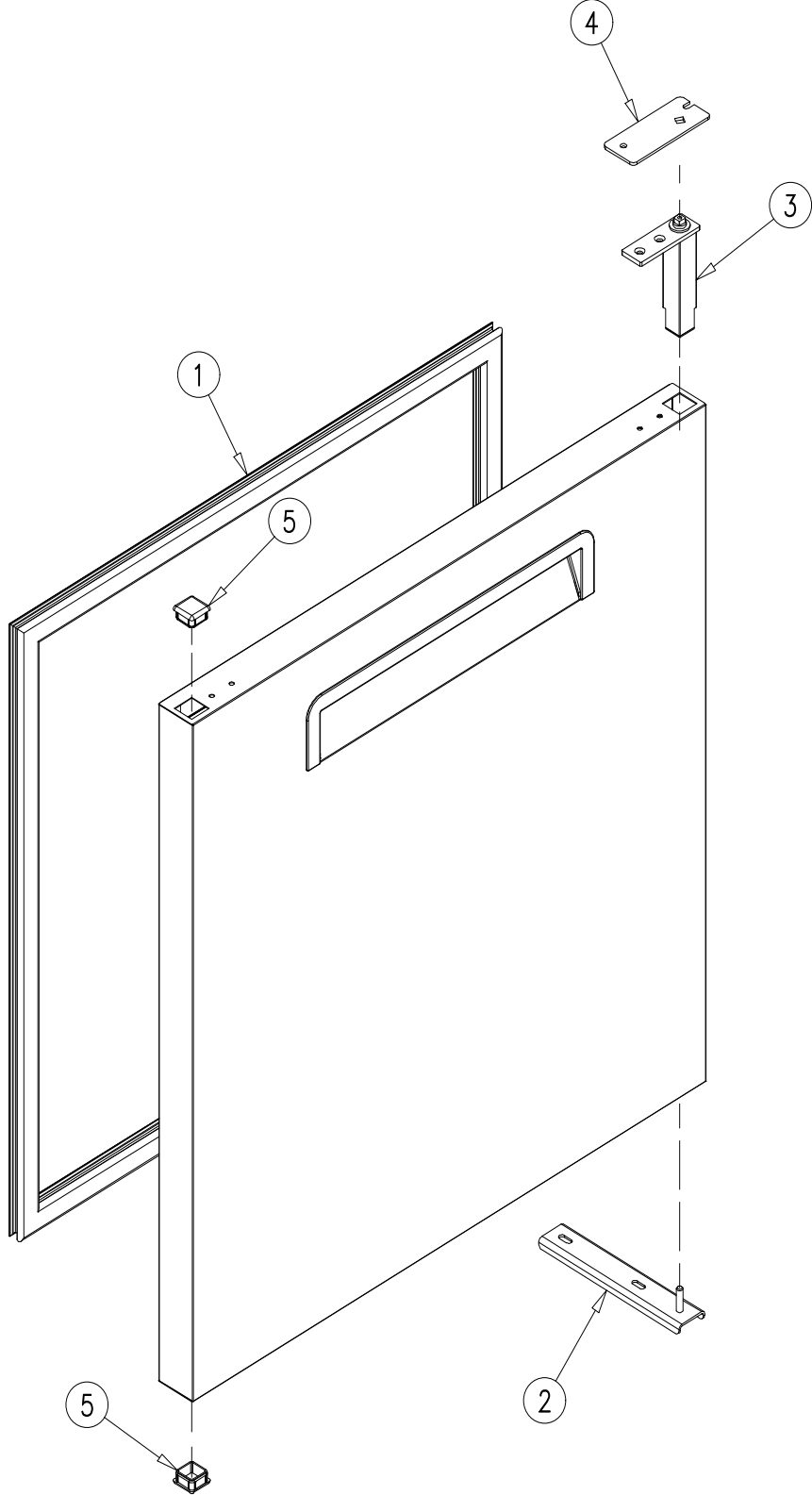
CONDENSING UNIT ASSEMBLY



CONDENSING UNIT ASSEMBLY

<i>Item No.</i>	<i>Description</i>	<i>Part No.</i>	<i>Quantity per cooler</i>
1	COMPRESSOR (1/6HP 115V/60HZ R-290)	EM2U3111U	1
2	EXTERNAL PROTECTOR (4TM302KFBYY-53)	EL-2107-R	1
3	PTC RELAY (8EA14C3/A4R7MD3)	EL-2076-R	1
4	RUN CAPACITOR (12 μ F 180V)	CAP-12-180	1
5	CONDENSER	CO-426-L	1
6	CONDENSER FAN MOTOR	FA-124-SW-0396	1
7	CONDENSER FAN BLADE	FA-2-SW	1
8	CONDENSER FAN MOTOR BRACKET	FA-39	1
9	COMPRESSOR EVAPORATION TRAY	DP-6	1
10	DRIER	DR-31-2	1
11	POWER CORD (9 ft)	EL-1260-9	1

DOOR ASSEMBLY



DOOR ASSEMBLY

<i>Item No.</i>	<i>Description</i>	<i>Part No.</i>	<i>Quantity per cooler</i>
1	MAGNETIC GASKET	OT-GA-500-PTA-0257	1
2	LOWER HINGE ASSEMBLY	HA-613	1
3	TORSION MECHANISM	HA-612	1
4	TORSION MECHANISM CAP	OT-22263	1
5	DOOR PLUG	PL-191-G	2