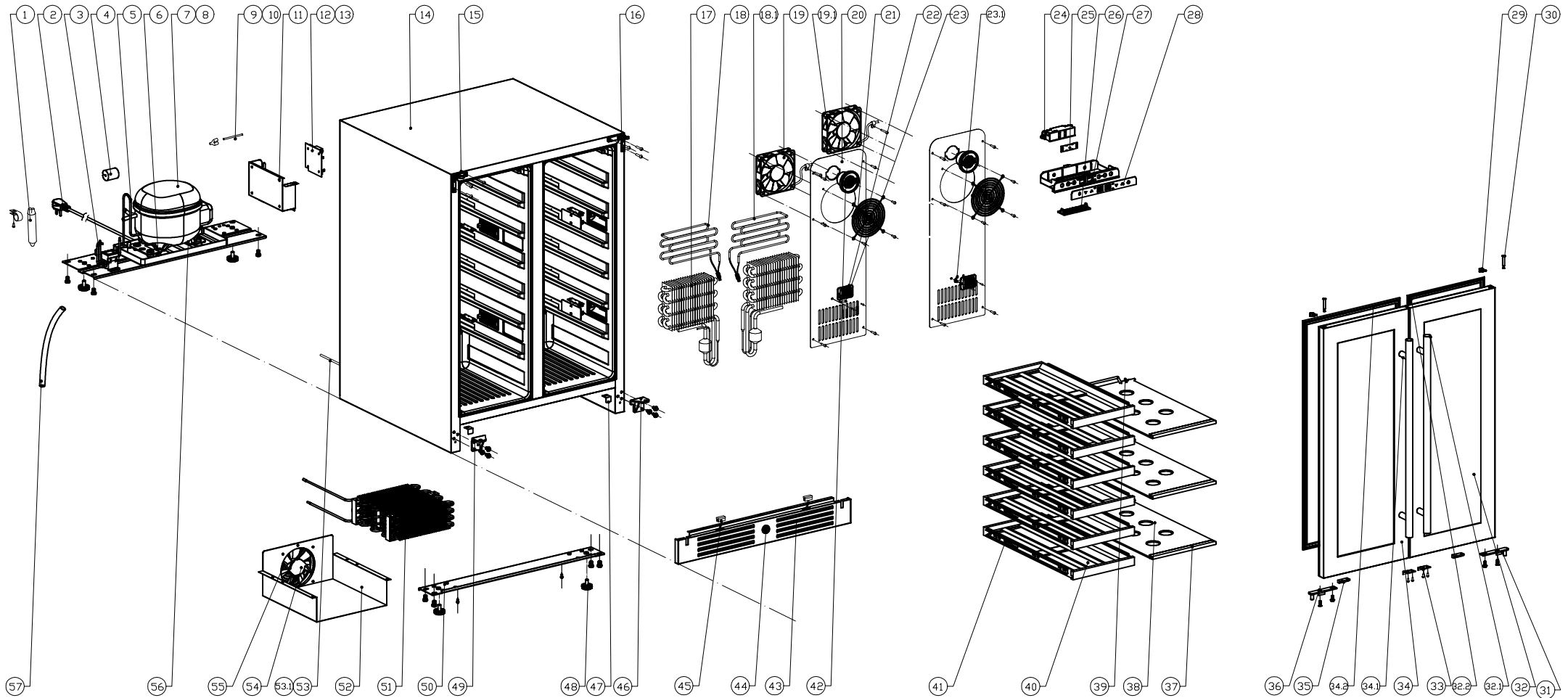


PRWB24C32CG

Presrv™ French Door Wine & Beverage Cooler

ZEPHYR



PRWB24C32CG

Ref #	Part #	Description	Qty.
1	56300004	Dryer Filter	1
2	11030118	Power Cord	1
3	56060005	Solenoid Valve	1
4	56220051	Anti Vibration Gasket	5
5	50330031	Compressor Connecting Pipe	1
6	56130041	Drip Tray	1
7	12160006	Compressor	1
7-1	11050026	Compressor Starter	1
7-2	11050027	Compressor Relay	1
8	11030119	Compressor Ground Wire	1
9	11030120	Wire Connector	1
10	50330010	Sealing Tube	1
11	56200105	Main Control Board Box	1
12	11010164	Main Power Control Board	1
13	11010163	Display Control Board	1
15	54180062	Upper Left Hinge	1
16	54180063	Upper Right Hinge	1
17	54240015	Evaporator	2
18	54280001	Heater, Left	1
18.1	54280002	Heater, Right	1
19	12130032	Fan	2
20	54170007	Air Duct Board	2
21	54210017	Fan Cover	2
22	54210014	Sensor Cover	2
23	11050009	Temperature Sensor, Left Zone	1
23.1	11050007	Temperature Sensor, Right Zone	1
24	54140283	LED Light Holder	1
25	12010011	LED Light	6
26	52150014	LED Light Cover	6
27	56200125	Display Control Box	1

28	52050031	Display Panel Decal	1
29	54210038	Door Axis Cover	2
30	50330037	Door Axis Pin	2
31	54190056	Door Axis Plate, Right	1
32	50230033	Door, Right	1
32.1	50280003	Door Handle	1
32.2	56220045	Door Gasket	1
33	54050091	Door Lock Hook	2
34	50230034	Door, Left	1
34.1	50280003	Door Handle	1
34.2	56220045	Door Gasket	1
35	54220011	Magnet	2
36	54190057	Door Axis Plate, Left	1
38	50150004	Glass Shelf	3
40	50150019	Sliding Wooden Shelf	6
41	50320042	Sliding Rail Set	6
42	Z0F-C004	Carbon Filter	2
43	50260021	Kick Plate	1
44	50180012	Door Lock	1
45	11040033	Magnet Switch	2
46	54180066	Lower Right Hinge	1
47	54140345	Cabinet Bracket	2
48	50350008	Leveling Leg	4
49	54180067	Lower Left Hinge	1
50	54140284	Cabinet Support Bracket	1
51	54270001	Condensor	1
52	54210015	Condensor Cover	1
53	50330032	Gas Return Pipe	1
53.1	50330018	Gas Return Pipe	1
54	54210016	Fan Cover	1
55	12130032	Fan	1
56	54190058	Compressor Support Plate	1
57	50330038	Drain Pipe	1
58	15000019	Door Lock Key	1