

**ASSEMBLY INSTRUCTIONS**  
**COASTER FINE FURNITURE**



*Fine Furniture for every stage of life*

**950405**  
**CREDENZA**

# ITEM:950405



## ASSEMBLY INSTRUCTIONS

### ASSEMBLY TIPS:

1. Remove hardware from box and sort by size.
2. Please check to see that all hardware and parts are present prior to start of assembly.
3. Please follow attached instructions in the same sequence as numbered to assure fast & easy assembly.



### WARNING!

1. Don't attempt to repair or modify parts that are broken or defective. Please contact the store immediately.
2. This product is for home use only and not intended for commercial establishments.



ASSEMBLY TIME

60 MINUTES

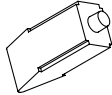
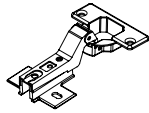
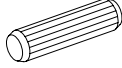

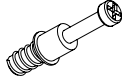
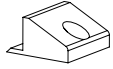


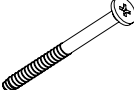
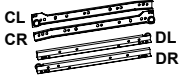
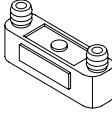



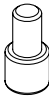
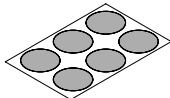
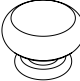
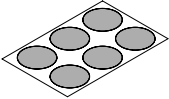

## PARTS IDENTIFICATION

A	LEFT SIDE PANEL		1 PC	L	BACK PANEL		2 PCS
B	RIGHT SIDE PANEL		1 PC	M	MIDDLE UPPER BACK PANEL		1 PC
C	LEFT DIVIDER PANEL		1 PC	N	MIDDLE LOWER BACK PANEL		1 PC
D	RIGHT DIVIDER PANEL		1 PC	O	LEFT DOOR		1 PC
E	MIDDLE LEG		1 PC	P	RIGHT DOOR		1 PC
F	LEG		2 PCS	Q	DRAWER FRONT PANEL		1 PC
G	BOTTOM PANEL		1 PC	R	DRAWER BACK PANEL		1 PC
H	MIDDLE CROSS PANEL		1 PC	S	DRAWER LEFT SIDE PANEL		1 PC
I	ADJUSTABLE SHELF		2 PCS	T	DRAWER RIGHT SIDE PANEL		1 PC
J	FRONT MIDDLE TOP BAR		1 PC	U	DRAWER BOTTOM PANEL		1 PC
K	TOP PANEL		1 PC	V	DRAWER BOTTOM SUPPORT		1 PC

### NOTE:

Phillips head screw driver is required in the assembly process; however, manufacturer does not provide this item.

## HARDWARE IDENTIFICATION

Z							
NO	DESCRIPTION	FIGURE	Q'TY	NO	DESCRIPTION	FIGURE	Q'TY
1	GLUE 40g		1 PC	11	HINGE Ø 35mm SR		4 PCS
2	WOODEN DOWEL Ø8x30mm		34 PCS	12	HINGE SCREW Ø 4x15mm SR		16 PCS
3	CAM BOLT Ø7x35.5mm SR		21 PCS	13	FIXER		6 PCS
4	CAM LOCK Ø15x12mm SR		21 PCS	14	FIXER SCREW Ø 3x19mm SR		6 PCS
5	BOLT Ø9.5x55mm SR		8 PCS	15	GLIDES L = 350mm SR		1 SET
6	DOOR CATCH		2 PCS	16	GLIDES SCREW Ø 3x12mm SR		12 PCS
7	PLASTIC FEET Ø 15mm		5 PCS	17	SCREW Ø 4.3x35mm SR		5 PCS
8	PIN Ø4.9x15mm SR		8 PCS	18	STICKER-WHITE Ø 20mm		3 PCS
9	HANDLE		3 PCS	19	STICKER Ø20mm		1PC
10	HANDLE BOLT BLK		3 PCS				

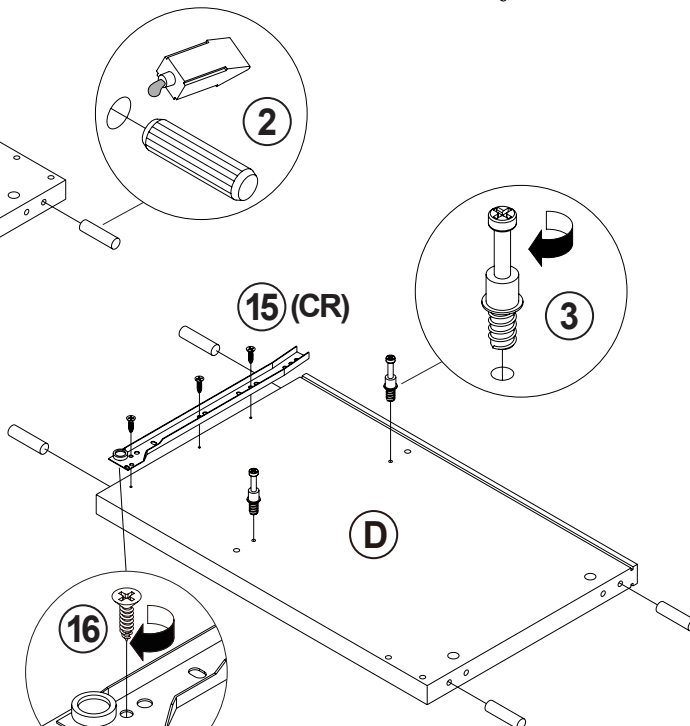
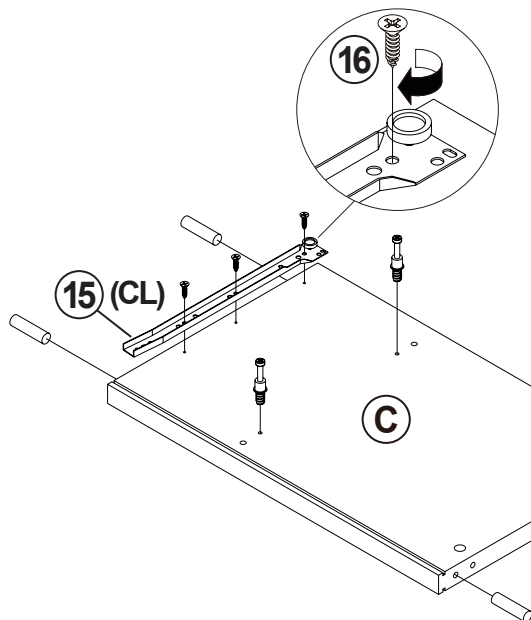
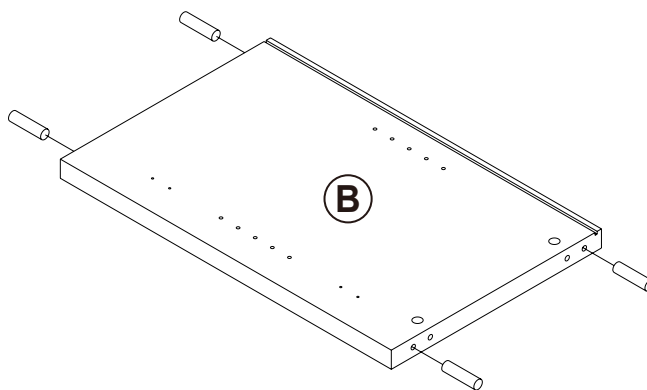
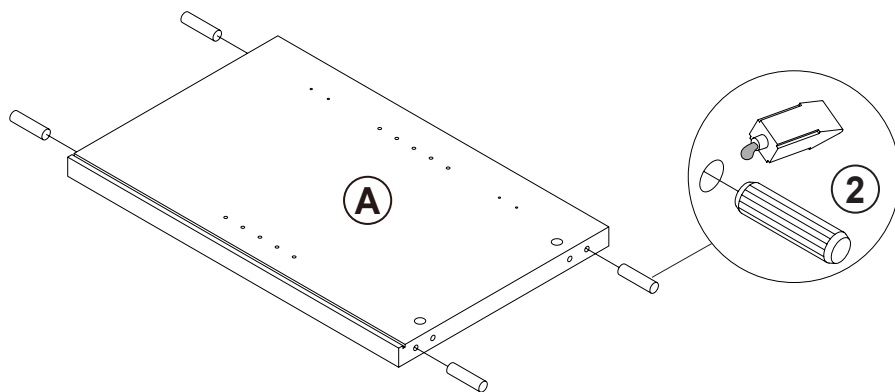
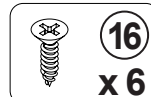
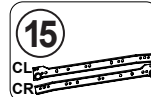
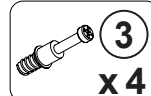
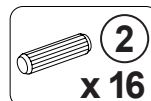
Z9, Z11, Z15 not included in blister packaging.

### NOTE:

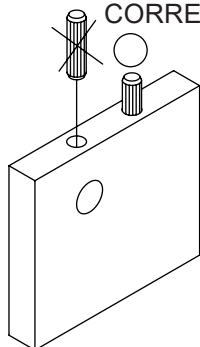
Phillips head screw driver is required in the assembly process; however, manufacturer does not provide this item.

# ITEM: 950405

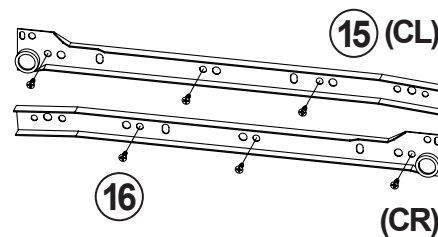
## STEP 1



INCORRECT  
CORRECT



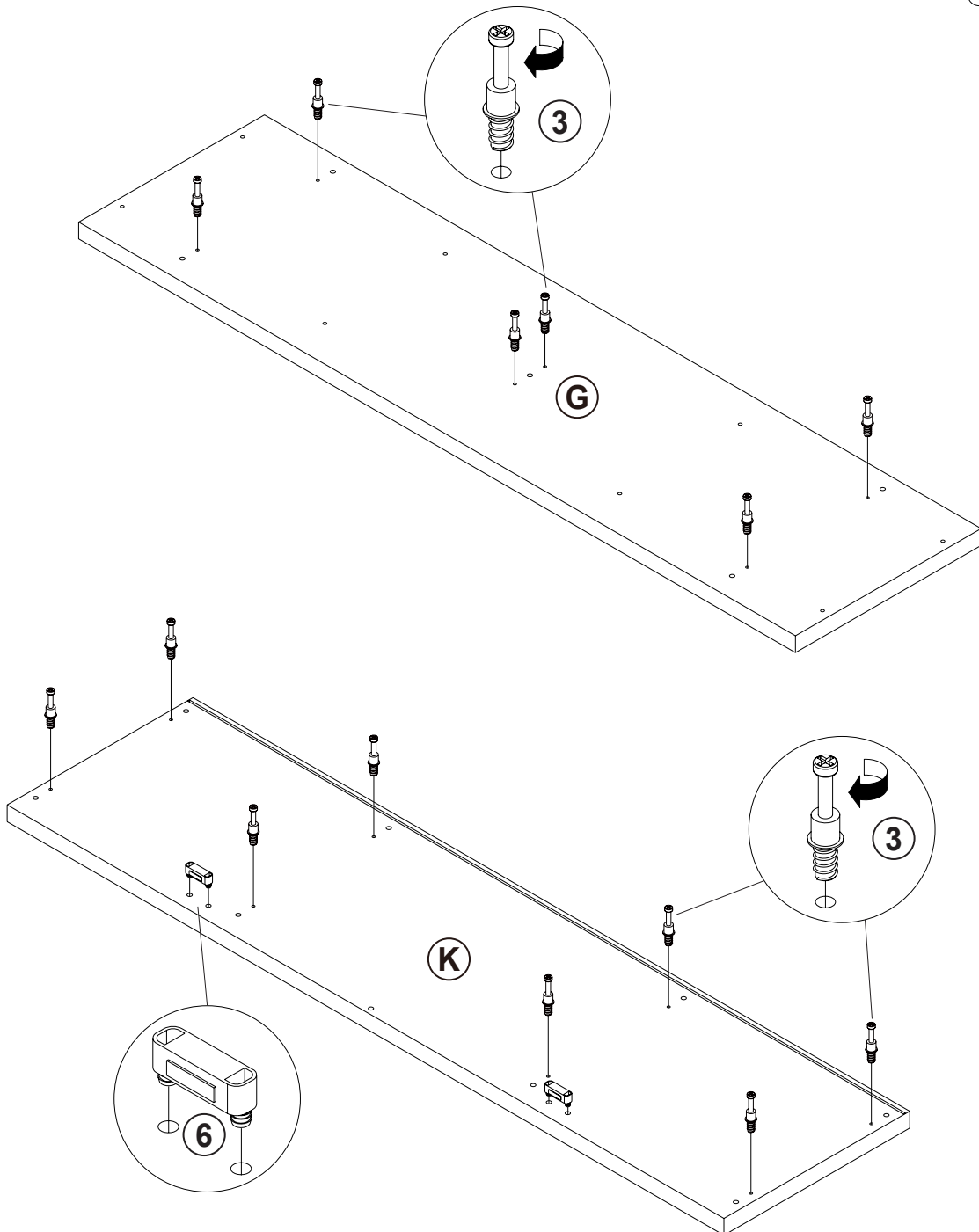
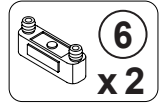
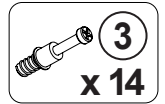
Apply glue on all wooden dowels to ensure integrity of the structure.



ITEM: 950405

**STEP 2**

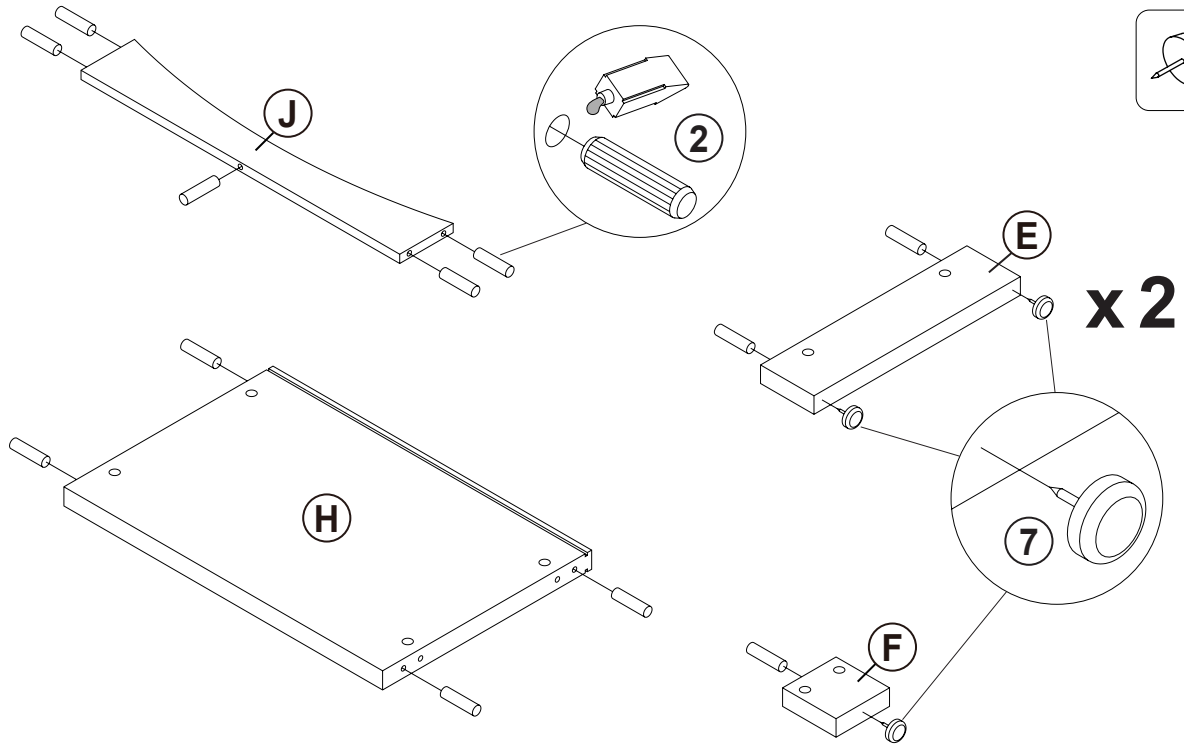
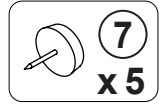
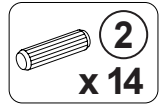
**COASTER**  
FINE FURNITURE



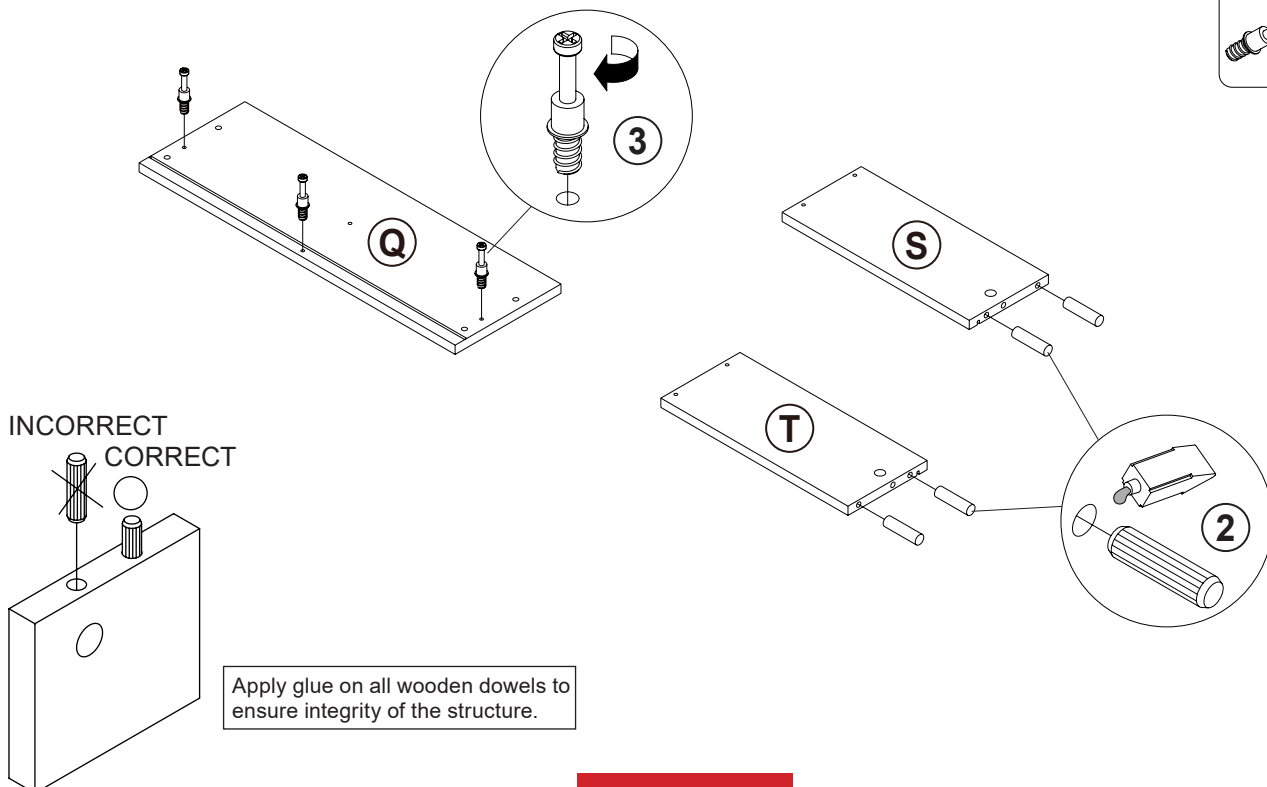
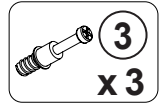
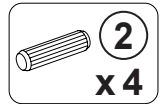
ITEM: 950405

**COASTER**  
FINE FURNITURE

**STEP 3**

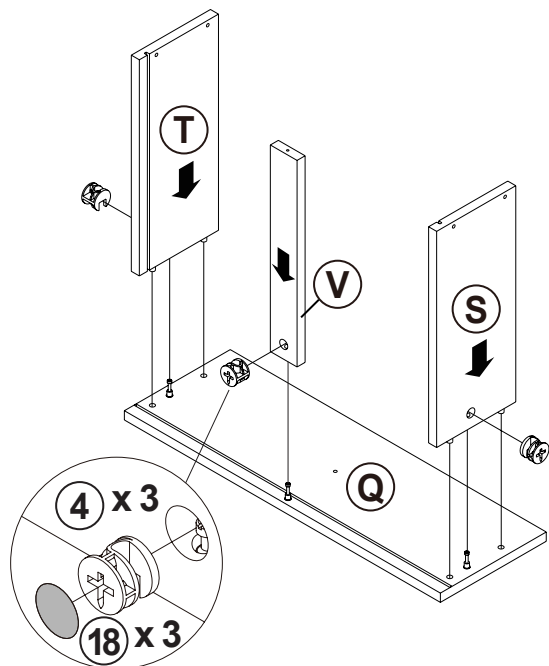


**STEP 4**

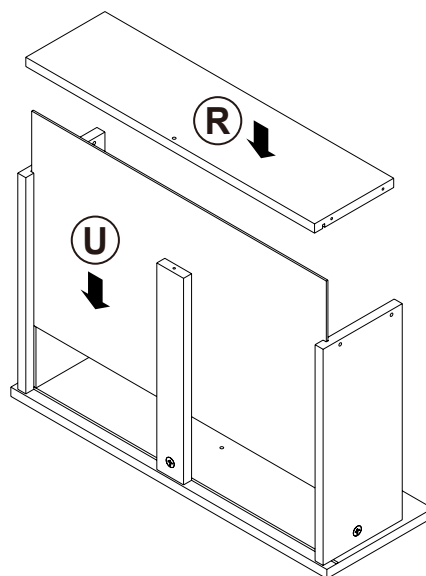


ITEM: 950405

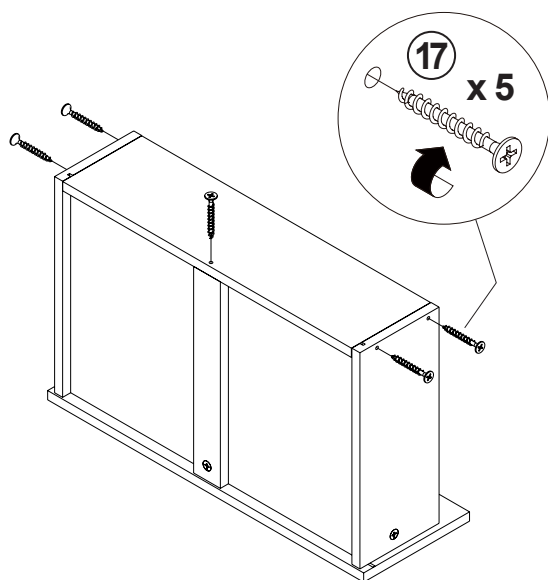
**STEP 5**



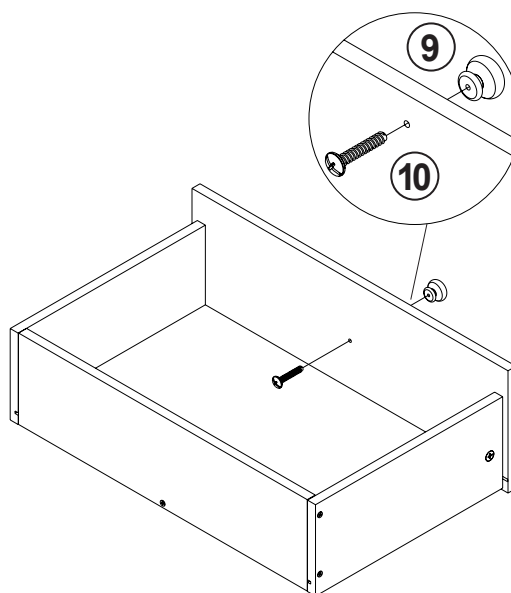
**STEP 6**



**STEP 7**



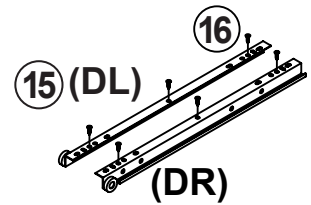
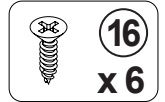
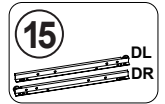
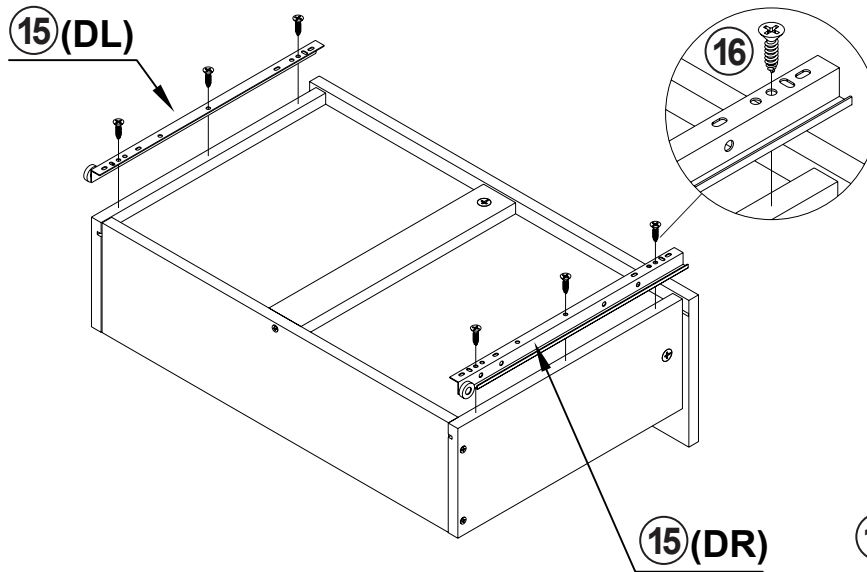
**STEP 8**



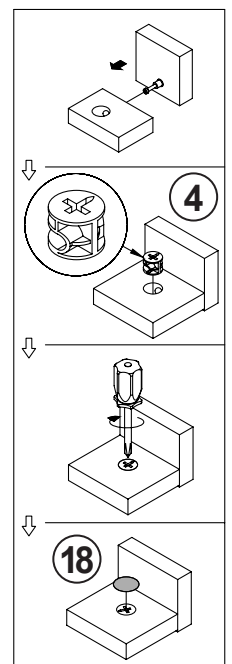
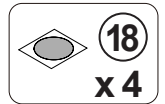
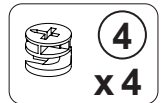
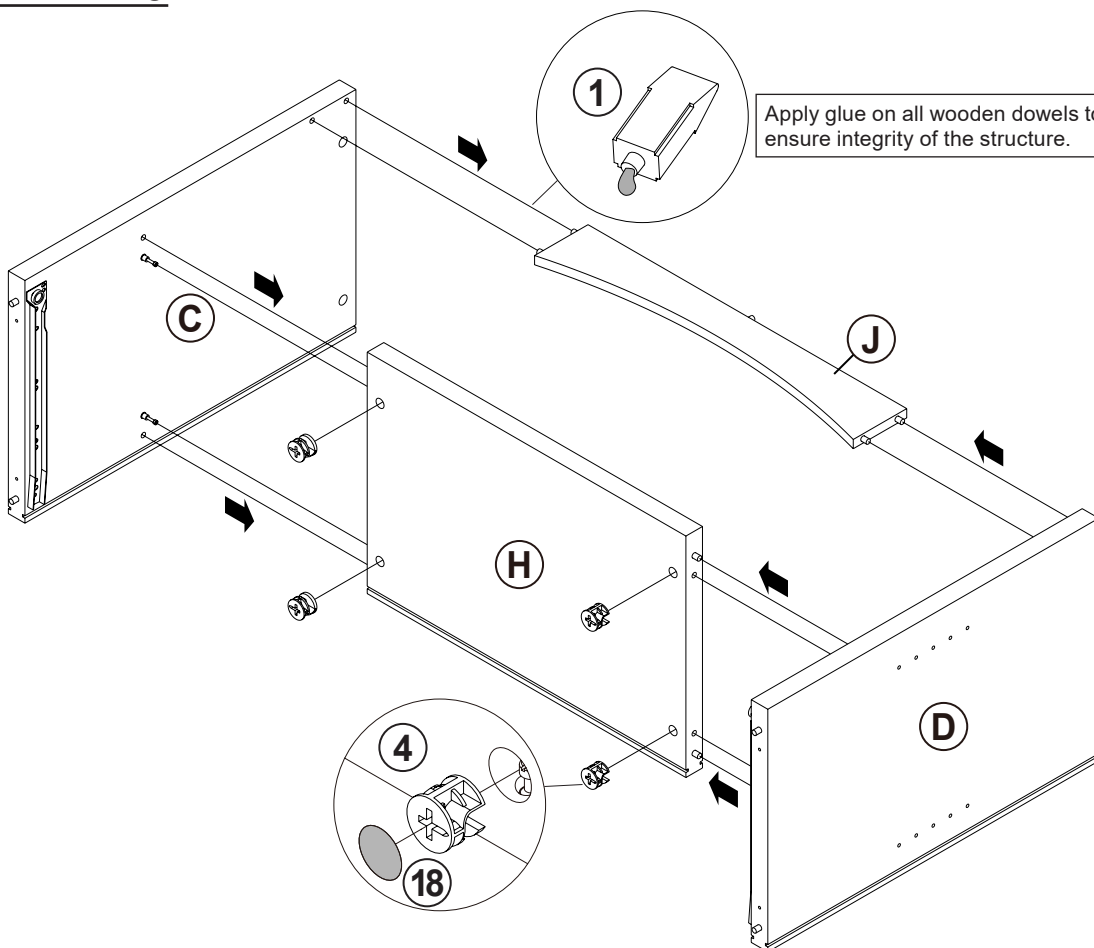
ITEM: 950405

**COASTER**  
FINE FURNITURE

**STEP 9**



**STEP 10**

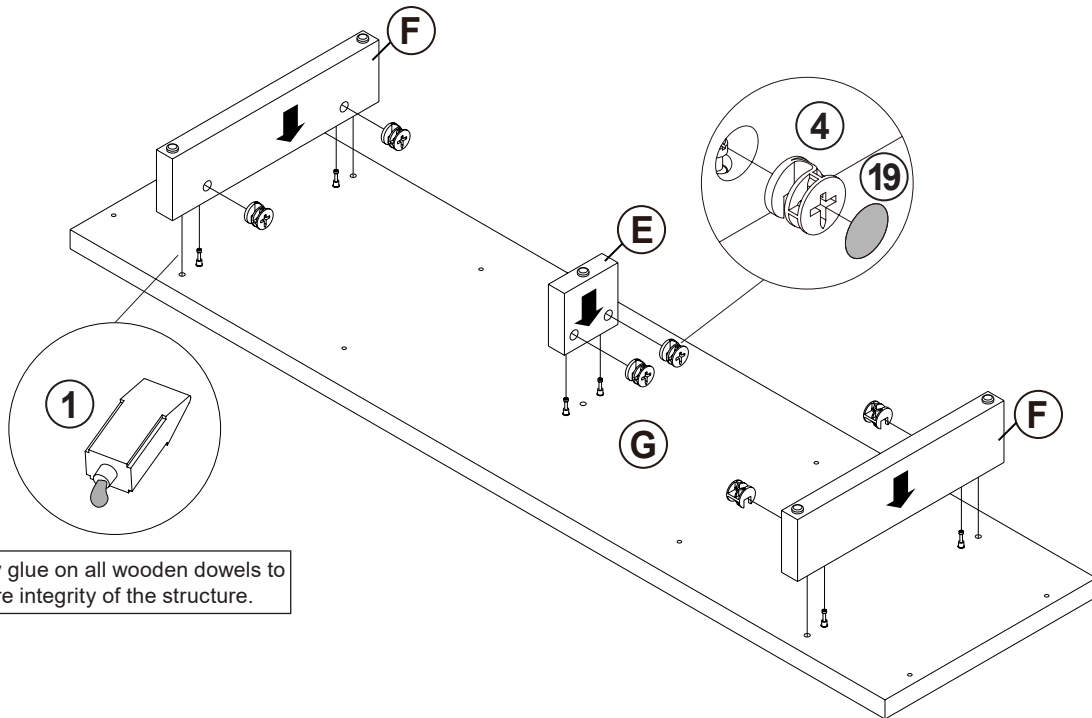
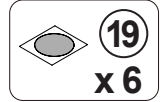




ITEM: **950405**

**COASTER**  
FINE FURNITURE

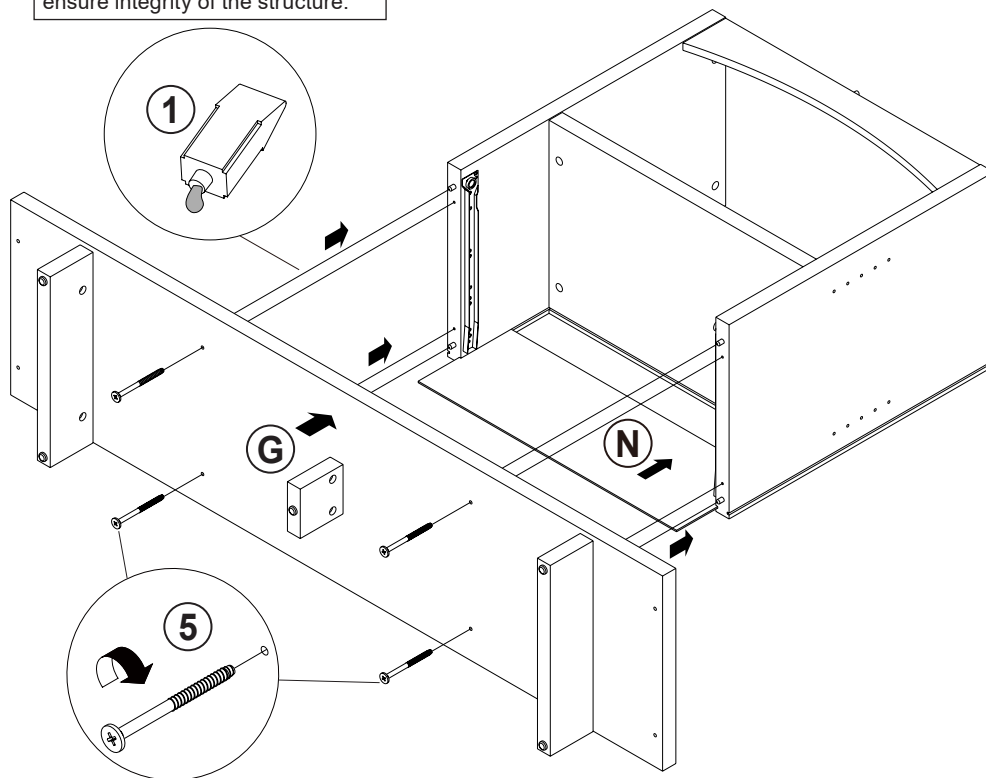
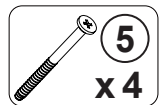
**STEP 11**



Apply glue on all wooden dowels to ensure integrity of the structure.

**STEP 12**

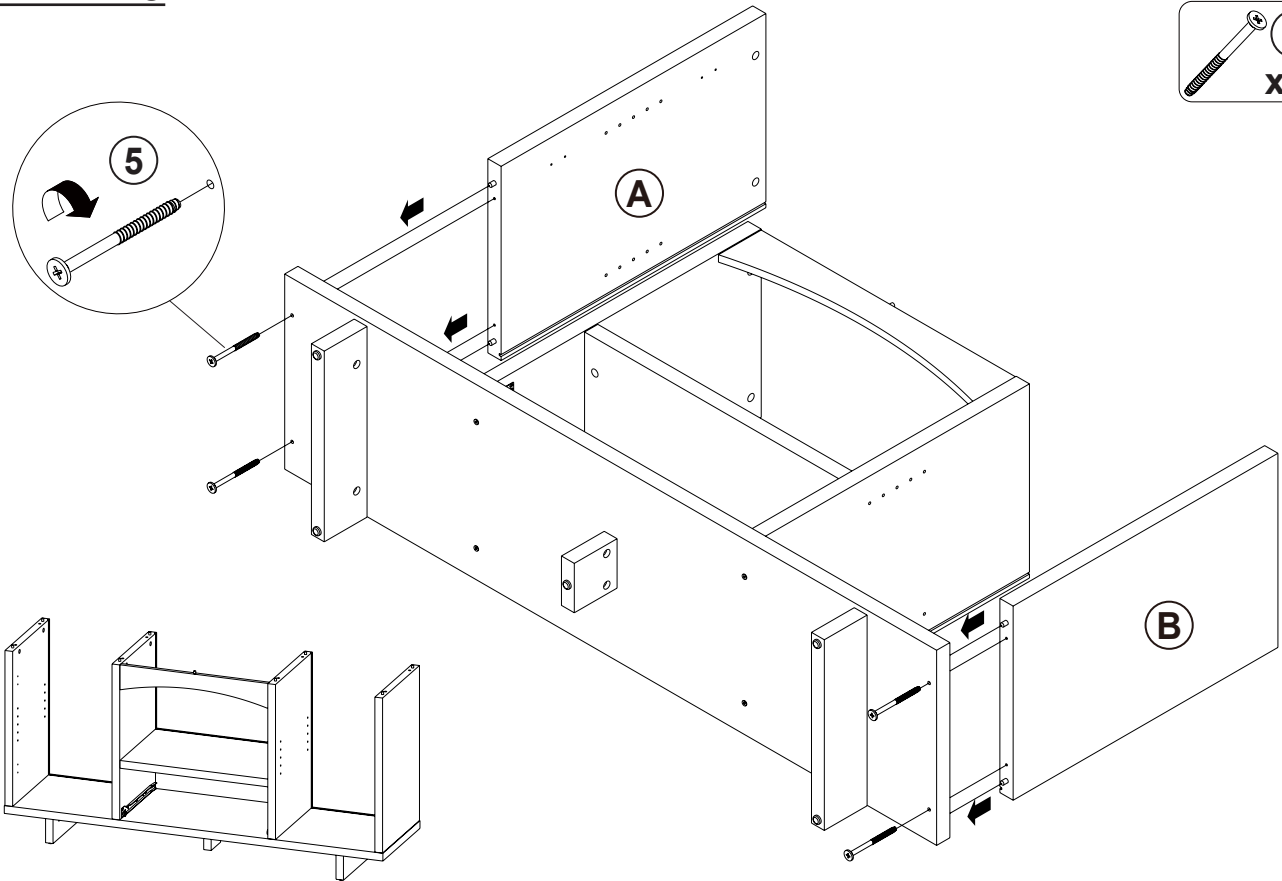
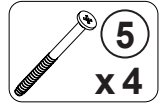
Apply glue on all wooden dowels to ensure integrity of the structure.



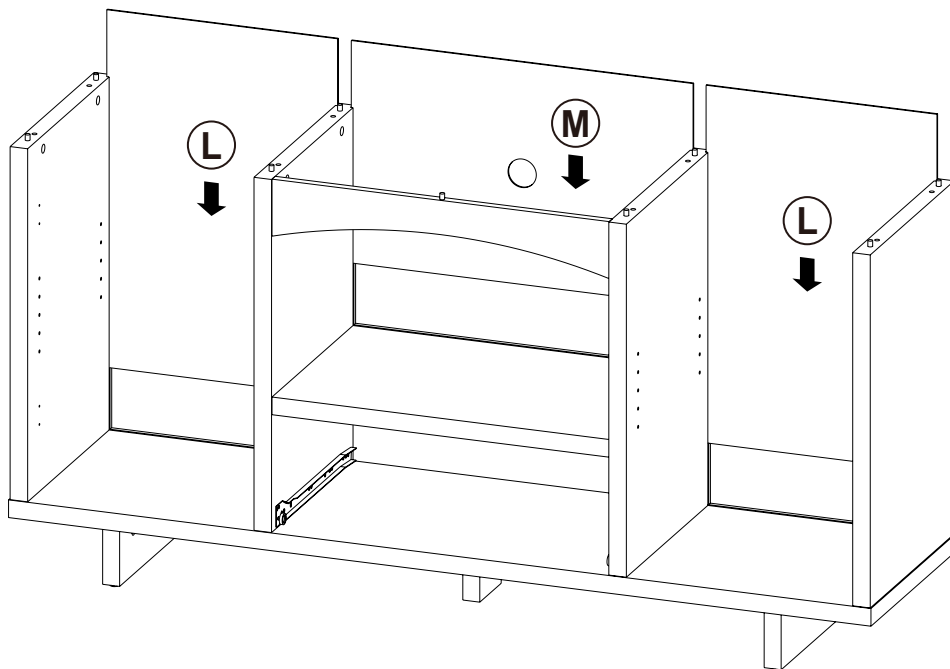
ITEM: 950405

**COASTER**  
FINE FURNITURE

**STEP 13**



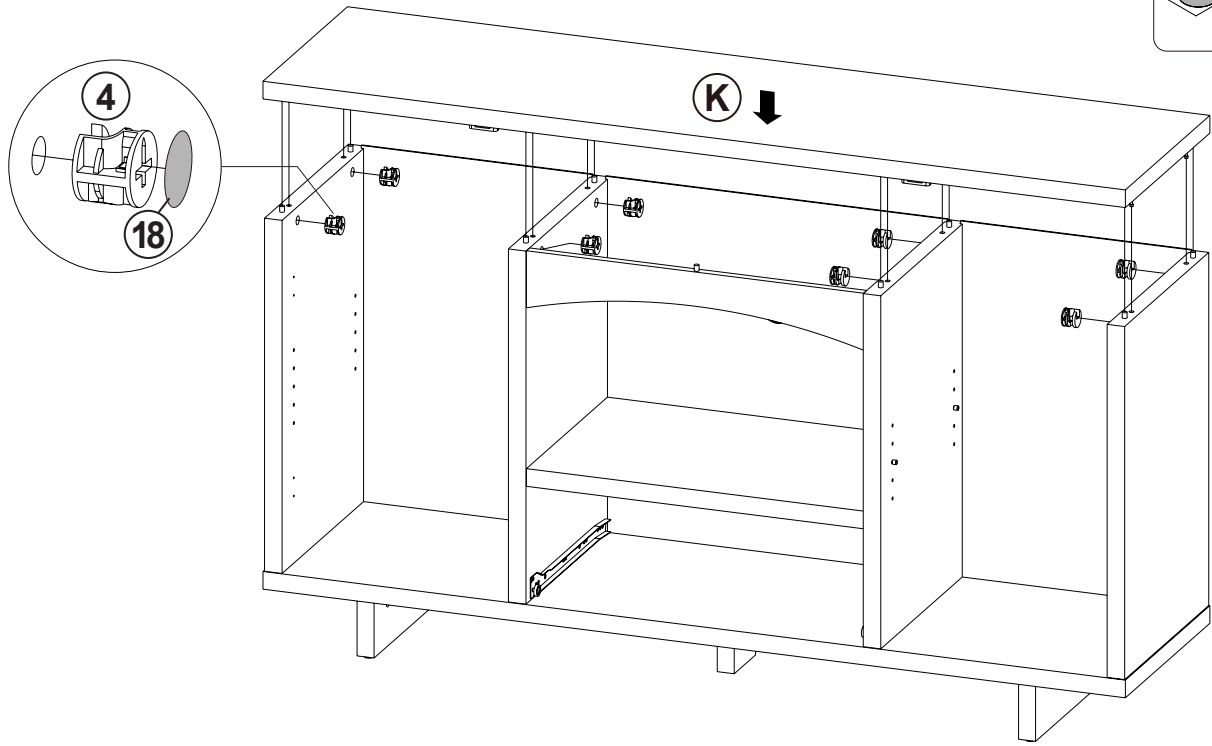
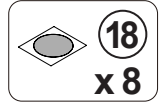
**STEP 14**



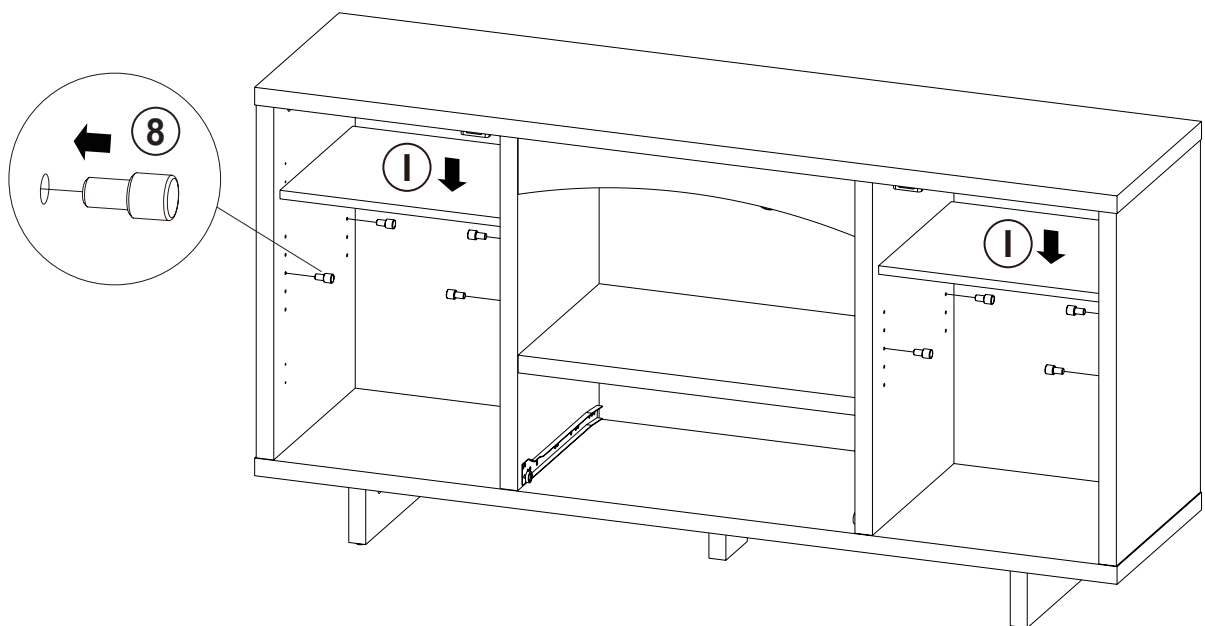
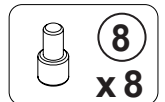
ITEM: 950405

**COASTER**  
FINE FURNITURE

**STEP 15**



**STEP 16**

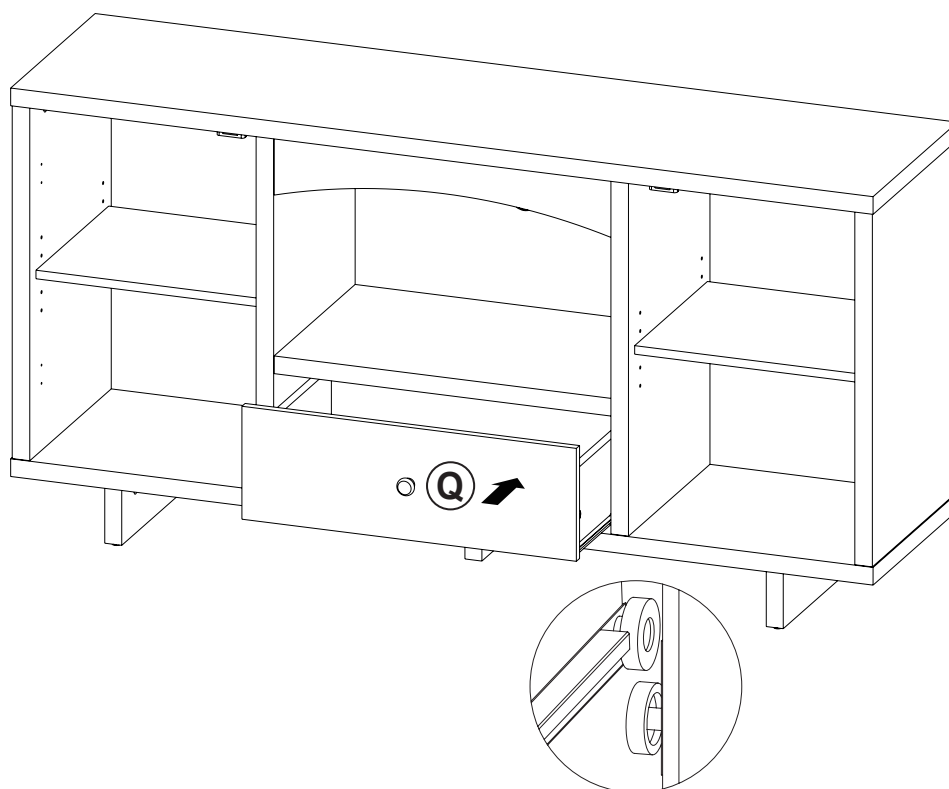
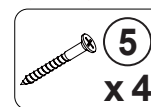


ITEM: 950405

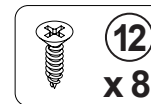
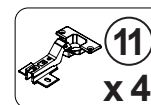
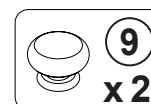
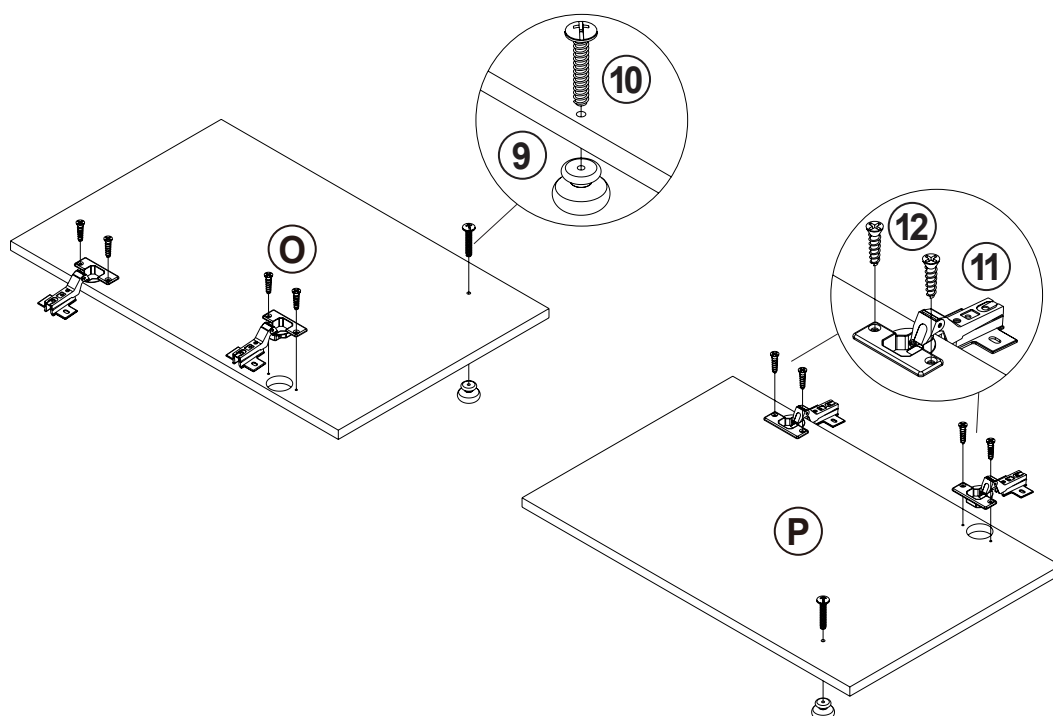
**COASTER**<sup>®</sup>

FINE FURNITURE

**STEP 17**



**STEP 18**

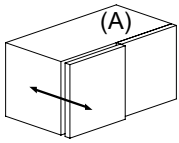


ITEM: 950405

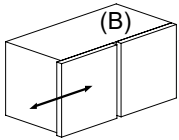
**COASTER**  
FINE FURNITURE

**STEP 19**

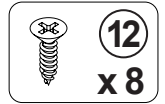
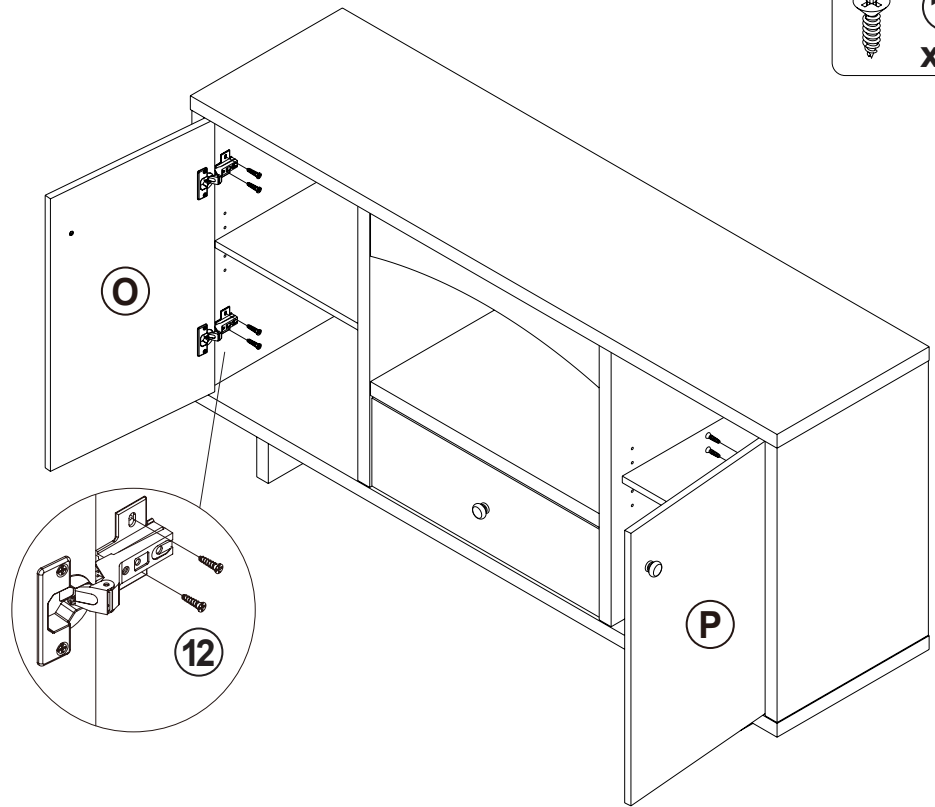
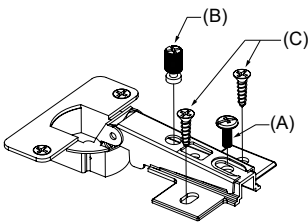
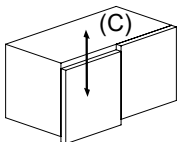
HORIZONTAL BY  
SCREW A ADJUSTMENT



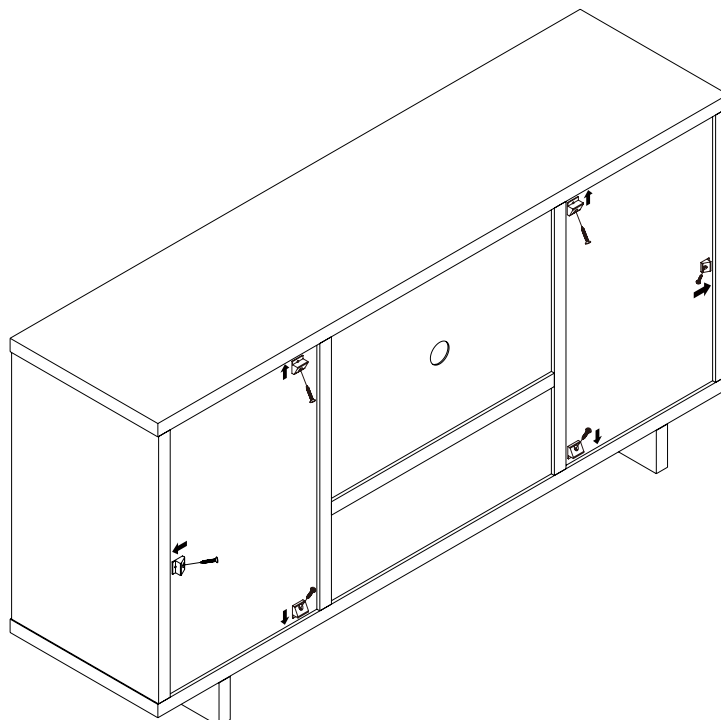
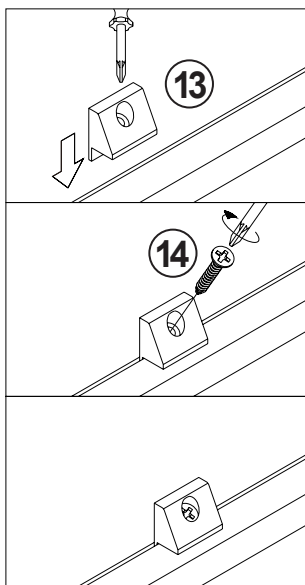
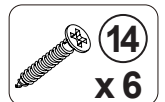
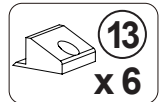
LATERAL BY  
SCREW B ADJUSTMENT



VERTICAL BY  
SCREW C ADJUSTMENT



**STEP 20**

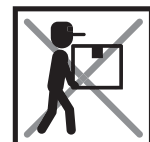
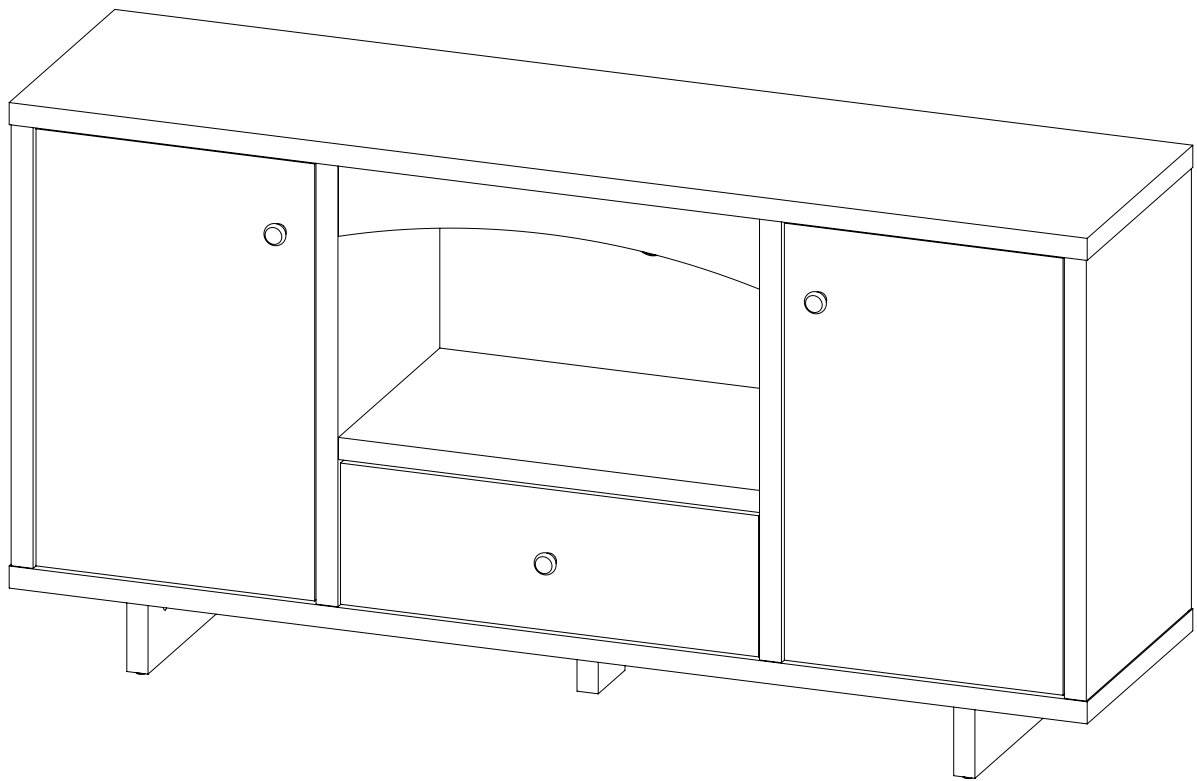


ITEM: **950405**



**STEP 21**

**COMPLETE**





# ANTI-TIPPING INSTALLMENT INSTRUCTIONS

## FURNITURE TIPPING RESTRAINT

### WARNING

Injury may result from tipping furniture.  
This restraint may protect against tipping furniture.  
Do not allow children to climb on furniture.  
This restraint is not a substitute for proper adult supervision.  
Failure to detach this restraint before moving the furniture  
may result in injury and damage.

1. To attach the anti-tip strap, securely mount one end to the top of the case piece with the 5/8" screw.
2. Position the case piece against the wall in the desired location.
3. Pull the anti-tip strap taut and mark the position of where you will secure the other end on the wall.
4. Drill a 1-1/4" hole in the spot you marked.
5. Tap in plastic wall plug.
6. Fasten anti-tip strap with wall screw provided.

(Please install the anti-tipping kit in the middle of the case piece if only have one set of anti-tipping kit.)

