

Use and care
GUIDE

Professional Series Pro Grand[®] and Pro Harmony[®] Ranges



Use and care

GUIDE

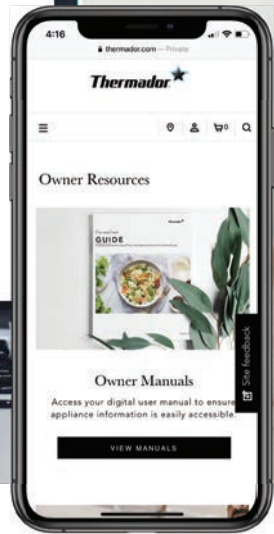
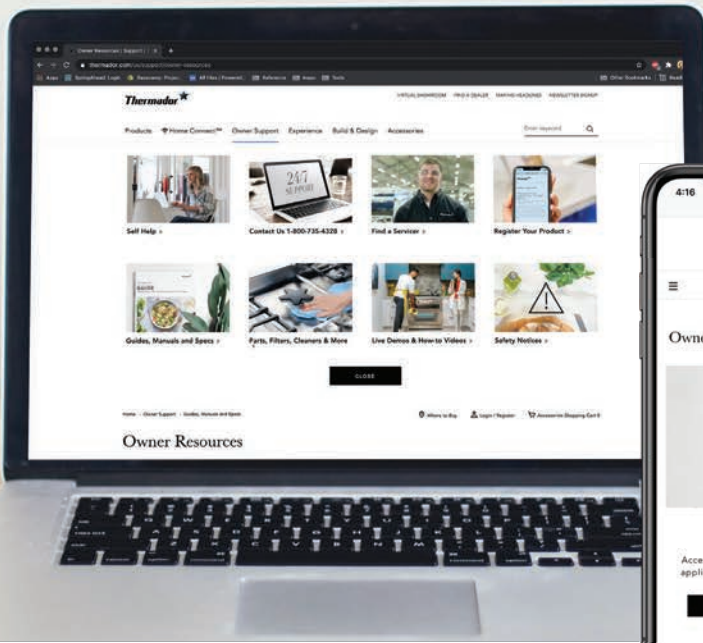
Professional Series Pro Grand[®] and Pro Harmony[®] Ranges

Table of contents (English) 2
 Table de matières (Français) 33
 Índice (Español) 67

Models | Modèles | Modelos:

Pro Grand	Pro Harmony
PRD364WDGC	PRD304WHC
PRD364WDGU	PRD304WHU
PRD364WIGC	PRD305WHC
PRD364WIGU	PRD305WHU
PRD366WGC	PRD364WDHC
PRD366WGU	PRD364WDHU
PRD486WDGC	PRD366WHC
PRD486WDGU	PRD366WHU
PRD486WIGC	PRD486WDHC
PRD486WIGU	PRD486WDHU
PRG364WDG	PRD488BHU
PRG366WG	PRD488BHC
PRG486WDG	PRG304WH
	PRG305WH
	PRG364WDH
	PRG366WH
	PRG486WDH
	PRG488BH





Quick Access for US Customers A Digital Guide to Your Thermador Appliance

From initial set-up and device pairing to proper care and cleaning, consider this your one-stop guide to getting the most out of your Thermador appliance.



Open your camera app, then hover over the QR code to scan.



How-to Product Videos

Learn how to expertly use and care for your new Thermador appliance.

www.thermador.com/us/support/live-demos-and-how-to-videos



Cleaning, Care, and FAQs

Discover helpful tips and tricks for cleaning, care, usage, and troubleshooting.

www.thermador.com/us/support/customer-care/faqs/gas-ranges



Product Registration

Register your appliance for a more efficient customer service experience.

www.thermador.com/us/support/product-registration



Home Connect™

Enlist hands-free help with remote control and monitoring. Thermador WiFi appliances work with Google Assistant and Amazon Alexa.

www.thermador.com/us/home-connect



WiFi Pairing Instructions

Pair your appliance to the Home Connect™ app with your smart device in a few easy steps.

www.thermador.com/us/support/home-connect/pairing/ranges



Cooking Accessories

Complement your kitchen with Thermador griddles, grills, teppanyaki pans, and more.

www.thermador.com/us/support/filters-cleaners-accessories

WWW.THERMADOR.COM

Table of contents

IMPORTANT SAFETY INSTRUCTIONS	3	Oven recommendations	21
Safety definitions	3	Oven rack positions	21
Familiarizing yourself with your appliance	7	Bake	21
Appliance exterior identification	7	Broil	21
Oven interior identification	8	Convection bake	22
Before using for the first time	10	True convection	23
Installing rack guides	10	Proof	23
Installing Full Access® racks	10	Roast	23
Installing flat racks	10	Home Connect®	24
Placing the burner caps	10	Home Connect setup	24
Checking the burner cap placement	11	Setting the remote start	25
Installing the burner grates	11	Setting the remote control	25
Registering your BSH product	11	Remote diagnostics	25
Using the rangetop	12	Care and maintenance	26
Turning on the burners	12	Setting the oven to self-clean	26
Operating the ExtraLow® burners	12	Cleaning the appliance	27
Operating the POWERBOOST® burners	12	Replacing the oven light bulb	28
Preparing the griddle	12	Troubleshooting	29
Operating the griddle	12	Service information	29
Rangetop recommendations	13	Remote customer service connection	30
STAR® burner cooking recommendations	13	Product registration	30
Griddle cooking recommendations	14	Statement of limited product warranty	31
Using the oven	15	What this warranty covers and who it applies to	31
Mode descriptions	15	How long the warranty lasts	31
Initial start-up	16	Repair/replace as your exclusive remedy	31
Available settings	16	Out of warranty product	31
Home Connect® assistant	16	Warranty exclusions	32
Setting the convection conversion	16	Obtaining warranty service	32
Setting the oven offset	17	Support, accessories, and parts	back page
Setting the cooking mode and temperature	17		
Setting the timers	17		
Setting fast preheat	18		
Setting the panel lock	18		
Setting the oven for proof	18		
Setting the keep warm mode	18		
Programming the meat probe	18		
Setting the Sabbath mode	19		
Initiating remote start	19		

This THERMADOR® appliance is made by
 BSH Home Appliances Corporation
 1901 Main Street, Suite 600
 Irvine, CA 92614

Questions?

1-800-735-4328

www.thermador.com or www.thermador.ca

We look forward to hearing from you!

⚠ IMPORTANT SAFETY INSTRUCTIONS

READ AND SAVE THESE INSTRUCTIONS

This Use and Care Guide explains the basics of operating your appliance and those safety measures that must be followed. For complete and safe installation information, refer to the Installation Instructions included with the appliance.

All product manuals may be downloaded online at www.thermador.com/us/support/owner-manuals or www.thermador.ca/en/support/owner-manuals.

INSTALLER: Please leave these instructions with this unit for the owner.

OWNER: Please retain these instructions for future reference. Read all safety instructions before operating the appliance. Have the installer show you where the electric circuit breaker and the gas supply shut-off valve are located so you know how and where to turn off the gas and electricity to the appliance.

Safety definitions

⚠ **WARNING:** This indicates that death or serious injuries may occur as a result of non-observance of this warning.

⚠ **CAUTION:** This indicates that minor or moderate injuries may occur as a result of non-observance of this warning.

NOTICE: This indicates that damage to the appliance or property may occur as a result of non-compliance with this advisory.

Note: This alerts you to important information and/or tips.

WARNING

Never Operate the Top Surface Cooking Section of this Appliance Unattended

- **Failure to follow this warning statement could result in fire, explosion, or burn hazard that could cause property damage, personal injury, or death.**
- **If a fire should occur, keep away from the appliance and immediately call your fire department. DO NOT ATTEMPT TO EXTINGUISH AN OIL/GREASE FIRE WITH WATER.**



WARNING: If the information in this manual is not followed exactly, a fire or explosion may result causing property damage, personal injury or death.

- **DO NOT store or use gasoline or other flammable vapors and liquids in the vicinity of this or any other appliance.**
- **WHAT TO DO IF YOU SMELL GAS**
 - **DO NOT try to light any appliance.**
 - **DO NOT touch any electrical switch.**
 - **DO NOT use any phone in your building.**
 - **Immediately call your gas supplier from a neighbor's phone. Follow the gas supplier's instructions.**
 - **If you cannot reach your gas supplier, call the fire department.**
- **Installation and service must be performed by a qualified installer, service agency or the gas supplier.**

WARNING—ALL APPLIANCES

- **Proper installation** – Be sure your appliance is properly installed and grounded by a qualified technician.
- **Never use your appliance for warming or heating the room.**
- **Do not leave children alone** – Children should not be left alone or unattended in area where an appliance is in use. They should never be allowed to sit or stand on any part of the appliance.
- **Wear proper apparel** – Loose-fitting or hanging garments should never be worn while using the appliance.
- **User servicing** – Do not repair or replace any part of the appliance unless specifically recommended in the manual. All other servicing should be referred to an authorized service provider.
- **Storage in or on appliance** – Flammable materials should not be stored in or near the appliance. To eliminate risk of burns or fire caused by reaching over heated surface units, cabinet storage located above the surface units should be avoided.

⚠ IMPORTANT SAFETY INSTRUCTIONS

READ AND SAVE THESE INSTRUCTIONS

WARNING—ALL APPLIANCES

- **Do not use water on grease fires** – Smother fire or flame or use dry chemical or foam-type extinguisher.
- **Use only dry potholders** – Moist or damp potholders on hot surfaces may result in burns from steam. Do not let a potholder touch hot heating elements. Do not use a towel or other bulky cloth.

WARNING—SURFACE COOKING UNITS

- **Use proper pan size** – This appliance may be equipped with surface burners of different sizes. Select utensils having flat bottoms large enough to cover the surface burner. The use of undersized utensils will expose a portion of the burner to direct contact and may result in ignition of clothing. Proper relationship of utensil to burner will also improve efficiency.
The flame size should not extend beyond the edge of the cooking utensil. This instruction is based on safety considerations.
- **Never leave surface burners unattended at high heat settings** – Boil-over causes smoking and greasy spillovers that may ignite.
- **If applicable, make sure drip trays are in place** – Absence of these trays during cooking may subject wiring or components underneath to damage.
- **Protective liners** – Do not use aluminum foil to line oven bottoms. Improper installation of these liners may result in a risk of electric shock, or fire.
- **Glazed cooking utensils** – Only certain types of glass, glass/ceramic, ceramic, earthenware, or other glazed utensils are suitable for range-top service without breaking due to the sudden change in temperature.
- **Utensil handles should be turned inward and not extend over adjacent surface units** – To reduce the risk of burns, ignition of flammable materials, and spillage due to unintentional contact with the utensil, the handle of a utensil should be positioned so that it is turned inward, and does not extend over adjacent surface units.
- **Clean the cooktop with caution** – If a wet sponge or cloth is used to wipe spills on a hot cooking area, be careful to avoid steam burns. Some cleaners can produce noxious fumes if applied to a hot surface.
- **Do not soak removable heating elements** – Heating elements should never be immersed in water.

WARNING—GLASS/CERAMIC COOKING SURFACES

Do not cook on a broken cooktop – If cooktop should break, cleaning solutions and spillovers may penetrate the broken cooktop and create a risk of electric shock. Contact an authorized service provider immediately.

WARNING—INDUCTION SURFACES

Do not place metallic objects such as knives, forks, spoons, and lids on the cooktop surface since they can get hot.

WARNING—DEEP FAT FRYERS

Use extreme caution when moving a grease kettle or disposing of hot grease.

WARNING—OVENS

- **Use care when opening door** – Let hot air or steam escape before removing or replacing food.
 - **Do not heat unopened food containers** – Build-up of pressure may cause the container to burst and result in injury.
 - **Keep oven vent ducts unobstructed.**
 - **Placement of oven racks** – Always place oven racks in desired location while oven is cool. If a rack must be moved while oven is hot, do not let potholder contact the hot heating element in oven.
-

WARNING—SELF-CLEANING OVENS

- **Do not clean the door gasket** – The door gasket is essential for a good seal. Care should be taken not to rub, damage, or move the gasket.
 - Do not use a protective coating to line the oven and do not use a commercial oven cleaner unless certified for use in a self-cleaning oven.
 - Clean only parts listed in manual.
 - Do not leave food or cooking utensils, etc., in an oven during the pyrolytic self-cleaning mode of operation.
 - Please note that some pets or humans can be sensitive to the odors created during the self-cleaning process whether it is a manufacturing residue burn off or food. It is recommended that those potentially affected be removed from the kitchen area during the self-clean process.
-

DO NOT TOUCH HEATING ELEMENTS OR INTERIOR SURFACES OF OVEN – Heating elements may be hot even though they are dark in color. Interior surfaces of an oven become hot enough to cause burns. During and after use, do not touch, or let clothing or other flammable materials contact heating elements or interior surfaces of oven until they have had sufficient time to cool. Other surfaces of the appliance may become hot enough to cause burns - among these surfaces are oven vent openings and surfaces near these openings, oven doors, and windows of oven doors.

⚠ IMPORTANT SAFETY INSTRUCTIONS

READ AND SAVE THESE INSTRUCTIONS

WARNING—VENTILATING HOODS

- Clean ventilating hoods frequently – Grease should not be allowed to accumulate on hood or filter.
- This appliance should not be installed with a ventilation system that directs air in a downward direction toward the appliance. This type of ventilation system may cause ignition and combustion problems with the appliance resulting in personal injury, property damage, or unintended operation. Ventilating systems that direct the air upwards do not have any restriction.
An air curtain or other overhead range hood, which operates by blowing a downward airflow onto a range, shall not be used in conjunction with a gas range unless the hood and range have been designed and tested in accordance with the Standard for Domestic Gas Ranges, ANSI Z21.1 • CSA 1.1, and listed by an independent testing laboratory for combination use.
- When flambéing foods under the hood, turn the fan on.

WARNING

NEVER cover any slots, holes or passages in the oven bottom or cover an entire rack with materials such as aluminum foil. Doing so blocks air flow through the oven and may cause carbon monoxide poisoning. Aluminum foil linings may also trap heat, causing a fire hazard.

WARNING—IN CASE OF AN ELECTRICAL FAILURE



If a gas control knob is turned ON and there is no electrical power to operate the electronic igniters on the burners, turn OFF the gas control knob and wait 5 minutes for the gas to dissipate before lighting the burner manually.

To light the burners manually, carefully hold a lighted match to the burner ports and turn the gas control knob to HI. During a power failure, you can use the standard burners, but each must be lit with a match.

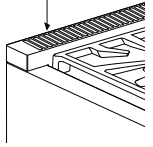
Do not attempt to light an XLO[®] burner manually. These burners are equipped with the ExtraLow[®] feature and cannot be lit manually.

CAUTION

Do not store items of interest to children above or at the back of the appliance. If children should climb onto the appliance to reach these items, they could be seriously injured.

WARNING—AIR FLOW

- Do not block or obstruct the flow of air through the ventilation openings. The vent is located at the back of the appliance. The vent needs to be unobstructed and open to provide necessary airflow that is important for proper performance.
- Do not touch the vent area while the appliance is on and for several minutes after the appliance is off. Some parts of the vent and surrounding areas become hot enough to cause burns. Allow appliance sufficient time to cool before touching or cleaning vent areas.
- Do not position plastic or other heat-sensitive items on or near the vent. These items could melt or ignite.
- To provide proper ventilation of the range do not remove range feet.



Do not allow meat probes or other utensils to come into contact with the heating elements.

Do not use the grill plate accessory for cooking excessively fatty meats or products which promote flare-ups.

When cooking fatty or oily foods on burners, the grill, or the griddle, adjacent gas burners can ignite airborne fumes. Use caution to avoid burns.

IMPORTANT: There is a possibility to discolor the back wall under certain cooking conditions.

DO NOT store or use corrosive chemicals, vapors, flammables, or nonfood products in or near this appliance. It is specifically designed for use when heating or cooking food. The use of corrosive chemicals while heating or cleaning will damage the appliance and could result in injury.

DO NOT TOUCH SURFACE UNITS OR AREAS NEAR UNITS – Surface units may be hot even though they are dark in color. Areas near surface units may become hot enough to cause burns. During and after use, do not touch, or let clothing or other flammable materials contact surface units or areas near units until they have had sufficient time to cool. Among these areas are the cooktop and surfaces facing the cooktop.

SMART-ENABLED APPLIANCES—REMOTE OPERATION

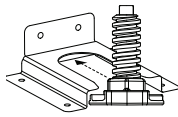
This appliance may be configurable to allow remote operation at any time. Do not store any flammable materials or temperature sensitive items inside, on top or near surface units of the appliance.

⚠ IMPORTANT SAFETY INSTRUCTIONS

READ AND SAVE THESE INSTRUCTIONS

WARNING—DANGER OF TIPPING ON RANGES

- All ranges can tip and injury can result. To prevent accidental tipping of the range, attach it to the floor, wall, or cabinet by installing the anti-tip bracket supplied.
- A child or adult can tip the range over and be killed or seriously injured. Verify that the anti-tip bracket is securely installed. Ensure the anti-tip bracket is engaged when the range is moved.
- **DO NOT** operate the range without the anti-tip bracket in place. Failure to follow the instructions in this manual can result in death or serious burns to children and adults.
- If the range is pulled away from the wall for cleaning, service, or any other reason, ensure that the anti-tip bracket is properly reengaged when the range is pushed back into place. In the event of abnormal usage (such as a person standing, sitting, or leaning on an open door), failure to take this precaution can result in tipping of the range. Personal injury might result from spilled hot liquids or from the range itself.
- Check for proper installation and use of anti-tip bracket. Carefully tip range forward pulling from the back to ensure that the anti-tip bracket engages the range and prevents tip-over. Range should not move more than 1" (2.5 cm).



- Service should only be done by an authorized service provider.
- It is the responsibility of the owner and the installer to determine if additional requirements and/or standards apply to specific installations.

GAS REQUIREMENTS

Natural gas w.c.

Minimum	7" (17.4 mbar)
Maximum	14" (34.9 mbar)

LP gas w.c.

Minimum	11" (27.4 mbar)
Maximum	14" (34.9 mbar)

- A manual valve must be installed in an accessible location in the gas piping external to the appliance for the purpose of turning on or shutting off gas to the appliance.
- In the event a burner goes out and gas escapes, open a window or a door. **DO NOT** attempt to use the appliance until the gas has had time to dissipate. Wait at least 5 minutes before using the appliance.
- For Massachusetts installations:
 - Installation must be performed by a qualified or licensed contractor, plumber or gas fitter qualified or licensed by the state, province or region where this appliance is being installed.
 - Shut-off valve must be a "T" handle gas cock.
 - Flexible gas connector must not be longer than 36" (914 mm).
- The maximum depth of cabinets installed above cooking surface must be 13" (330 mm).

REQUIREMENTS AND STANDARDS

- The appliance must be electrically grounded in accordance with local codes or, in the absence of local codes, with the National Electrical Code, NFPA 70 or the Canadian Electrical Code, CSA C22.1.
- Installation must conform with local codes or, in the absence of local codes, with the National Fuel Gas Code, ANSI Z223.1/NFPA 54 or, in Canada, the Natural Gas and Propane Installation Code, CSA B149.1.
- Installation of appliances designed for manufactured (mobile) home installation must conform with the Manufactured Home Construction and Safety Standard, Title 24 CFR, Part 3280 [formerly the Federal Standard for Mobile Home Construction and Safety, Title 24, HUD (Part 280)] or with local codes where applicable.
- Installation of appliances designed for recreational park trailers must conform with state or other codes or, in the absence of such codes, with the ANSI A119.5 Park Model Recreational Vehicle Standard.
- See the Installation Instructions for electrical requirements, grounding instructions and clearance to combustible material requirements.

PROPOSITION 65 WARNING

This product may contain a chemical known to the State of California, which can cause cancer or reproductive harm. Therefore, the packaging of your product may bear the following label as required by California:

State of California Proposition 65 Warning:

⚠ WARNING

Cancer and Reproductive Harm - www.P65Warnings.ca.gov

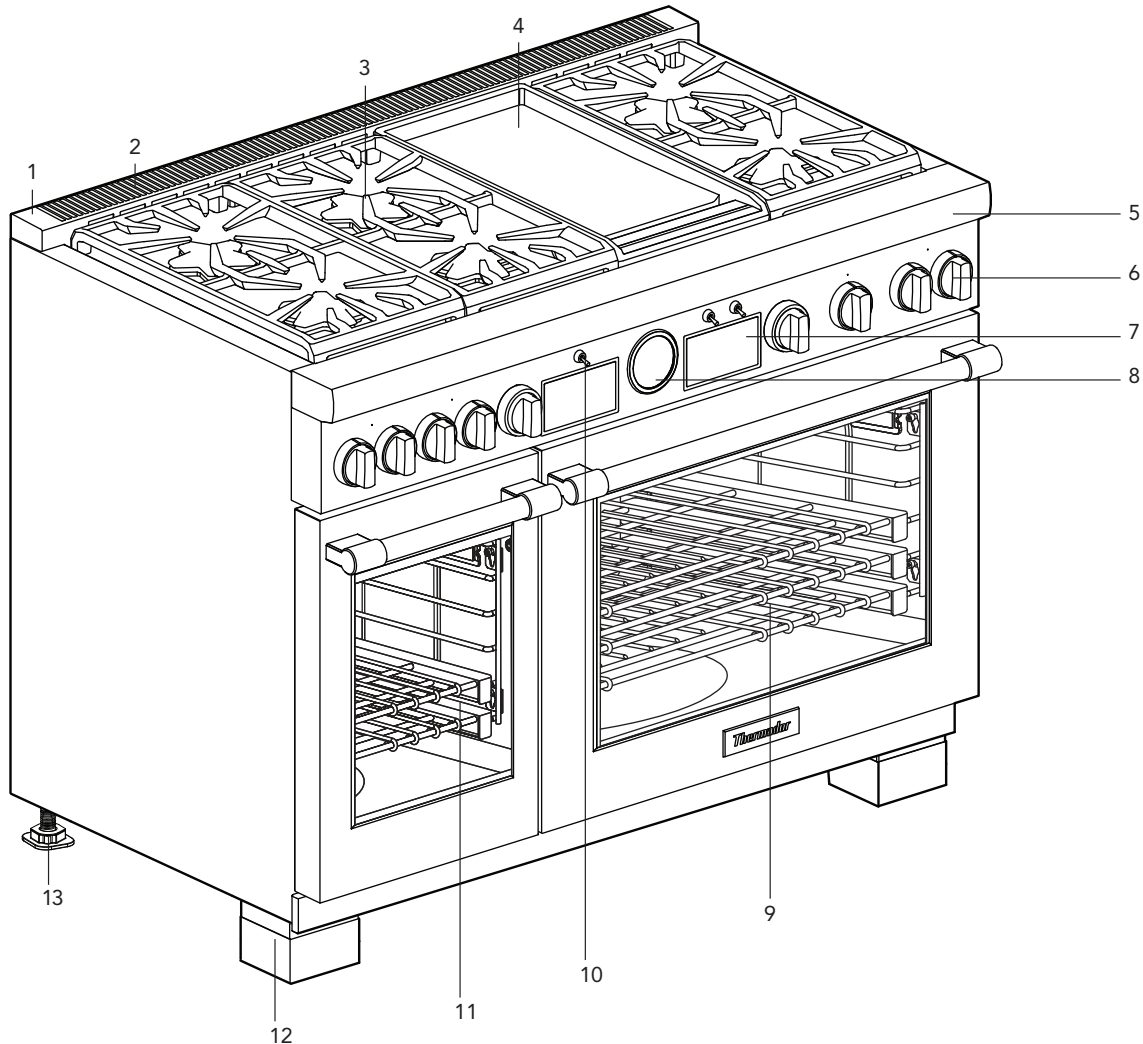
Disposal of packaging

The packaging materials are environmentally compatible and can be recycled. Sort the individual components by type and dispose of them separately. Information about current disposal methods can be obtained from your specialist dealer or local authority.

Familiarizing yourself with your appliance

This Use and Care Guide covers several models. Your model may have some but may not have all of the features or displays listed. All graphics are representative. Your appliance may vary in appearances and features.

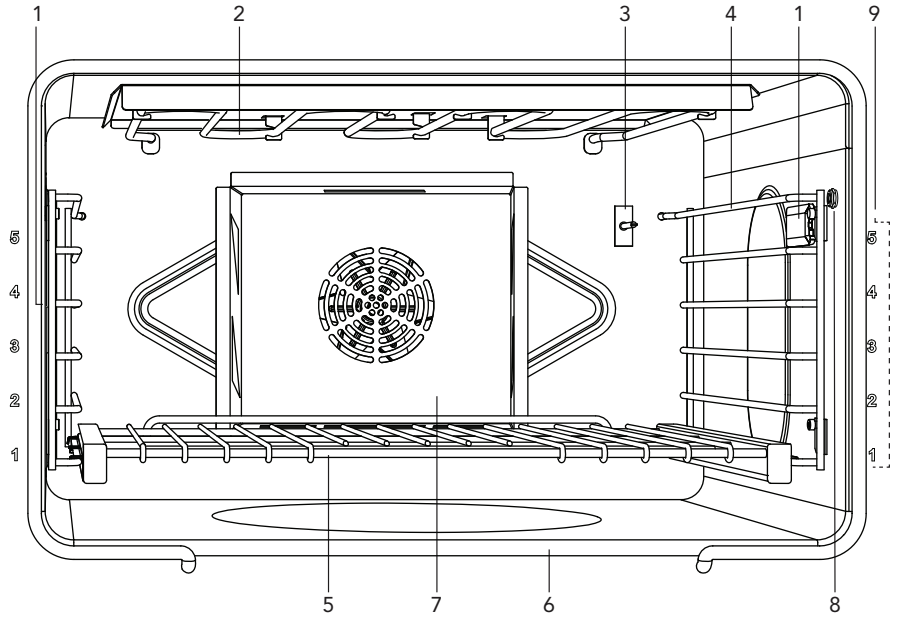
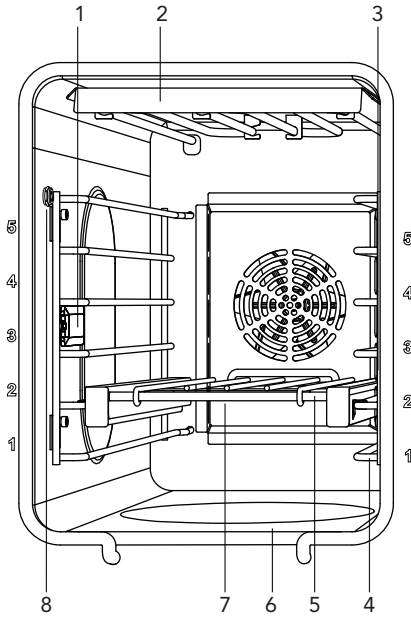
Appliance exterior identification



- 1 Island trim included or low backguard ordered separately (See Installation Instructions concerning spacing behind the range when using the range with the island trim.)
- 2 Oven vent (**DO NOT** obstruct!)
- 3 STAR[®] burners and grates
- 4 Griddle option (options will vary)
- 5 Control panel
- 6 Control knobs
- 7 Oven display
- 8 Temp gauge
- 9 Main oven
- 10 Light switch
- 11 Secondary auxiliary oven
- 12 Leg covers (Pro Grand models only. If additional leg covers are required, they may be ordered from Customer Support by calling 1-800-735-4328 at no charge for up to one year after purchase date of the appliance.)
- 13 Range feet (**DO NOT** remove!)

Oven interior identification

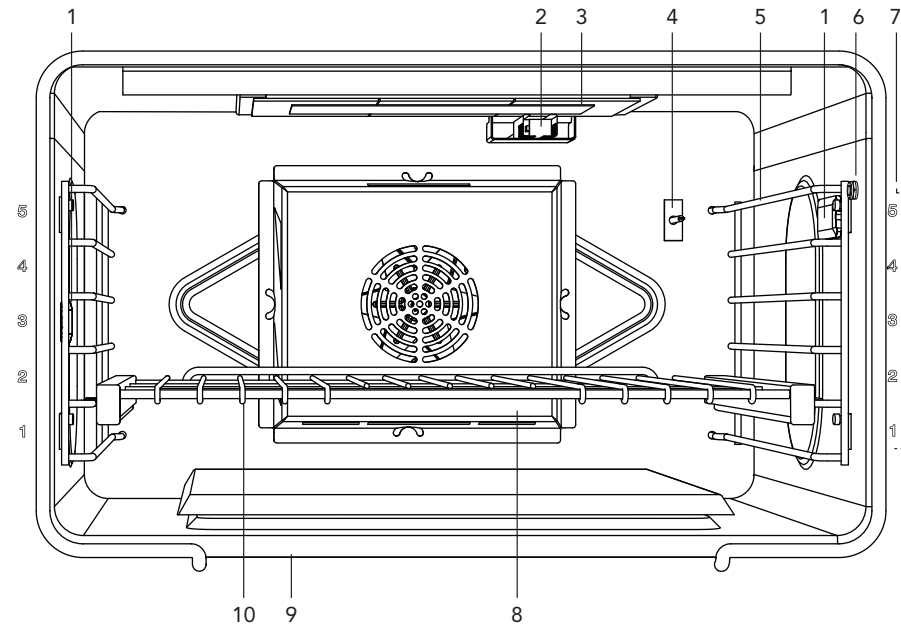
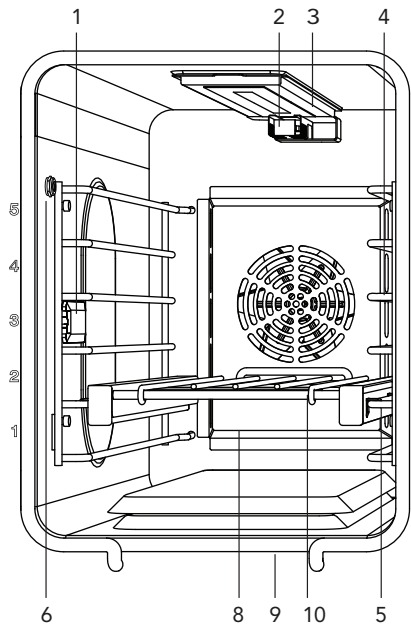
Dual fuel oven(s) interior



- 1 Oven interior light
- 2 Broil element
- 3 Oven thermostat
- 4 Rack guides
- 5 Oven racks

- 6 Bake element (hidden)
- 7 Convection fan cover
- 8 Meat probe outlet
- 9 Rack positions

Gas oven(s) interior



- 1 Oven interior light
- 2 Broil igniter
- 3 Infrared broil burner
- 4 Oven thermostat
- 5 Rack guides

- 6 Meat probe outlet
- 7 Rack positions
- 8 Convection fan cover
- 9 Bake burner (hidden)
- 10 Oven racks

Automatic operation of the cooling fan

The cooling fan runs during all cooking modes. The fan can be heard when it is running, and warm air may be felt as it is released from the oven vent. The fan may also run after the oven is off.

Oven vent

The oven vent is located at the back of the unit. Warm air may be released from the vent before, during and after cooking. It is normal to see steam escaping from the vent, and condensation may collect in this area. This area may be warm when the oven is in use. Do not block the vent, since it is important for air circulation.

Convection fan

The convection fan operates during all convection modes. When the oven is operating in a convection mode, the fan turns off automatically when the door is opened. The convection fan may also run during self-clean.

Temperature gauge

The temperature gauge will start to move toward the temperature setting. The temperature gauge reflects the temperature setting, not the actual temperature of the oven.

The needle of the temperature gauge will move to the new selected temperature setting if the temperature setting is increased or decreased. The gauge is for reference only.

Before using for the first time

The graphics are representative. Your appliance may have different appearances.

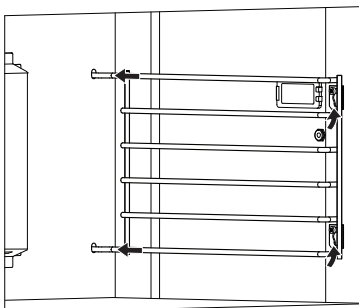
⚠ WARNING

To help prevent burns, never remove or reposition the oven racks while the oven is ON or while the oven is cooling.

IMPORTANT – Always remove the oven racks before self-cleaning the oven. If the gliding racks remain in the oven during self-clean, lubricants in the glide mechanisms of each rack will be lost and the finish will discolor.

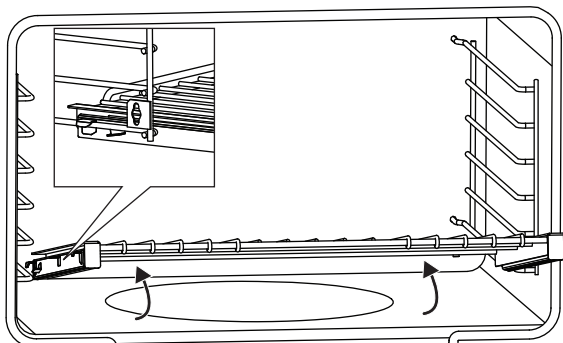
Installing rack guides

1. Push the two rails in the holes in the back of the oven cavity.
2. Slide the guide's key slots over the shoulder bolts.
3. At the front of the oven cavity press down on the front of rack guide to clear the heads of the two shoulder bolts.



Installing Full Access[®] racks

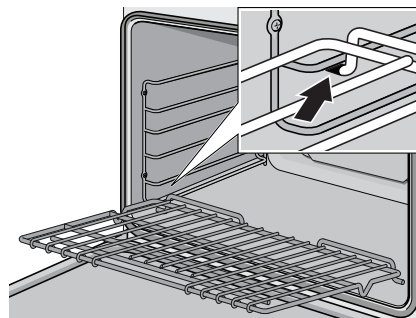
1. Hold the rack on a slight angle and place the safety hooks under the front of the rack guides.



2. Push the rack into the oven, lifting the rack stops over the front of the rack guides.
3. Hold the rack straight.
4. Push the rack in completely.
5. Engage the rack's front hooks on the rack guides.

Installing flat racks

1. Grasp rack firmly on both sides and insert rack.
2. Tilt rack up to allow stop into rack guide.



Oven start-up

Before baking or broiling, the oven and broiler should be turned on to burn off the manufacturing oils using one of the two following methods:

1. Turn on kitchen ventilation (or if vent hood is a recirculation type open a window).
2. Turn the oven on to 450°F (230°C) for 20 to 30 minutes; then turn the broiler to broil for the same length of time.

or

1. Turn on kitchen ventilation (or if vent hood is a recirculation type open a window).
2. Remove oven racks.
3. Set oven to self-clean (select models).

Placing the burner caps

⚠ WARNING

To prevent flare-ups and avoid the creation of harmful by-products, do not use the rangetop without all burner caps and all burner grates properly positioned.

⚠ WARNING

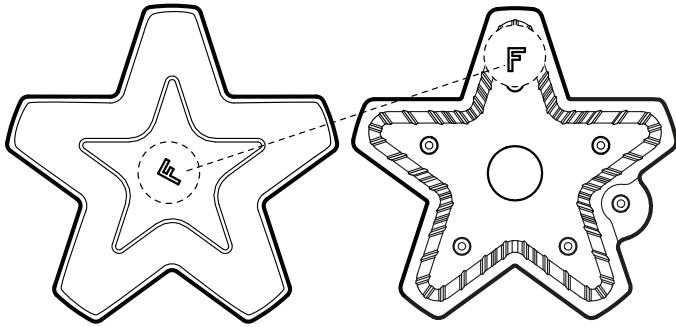
To prevent burns, do not touch burner caps or grates while hot. Turn the rangetop off and allow the burners to cool.

The burner caps must be properly placed on the burner bases for the cooktop to function properly. If the burner cap is not properly placed, one or more of the following problems may occur:

- Burner flames are too high
- Flames shoot out of burners
- Burners do not ignite
- Burner flames light unevenly
- Burner emits gas odor

Each cap has a letter (B, D, or F) cast in the underside of the cap that corresponds to a letter (B, D, or F) cast in the burner base that is attached to the appliance.

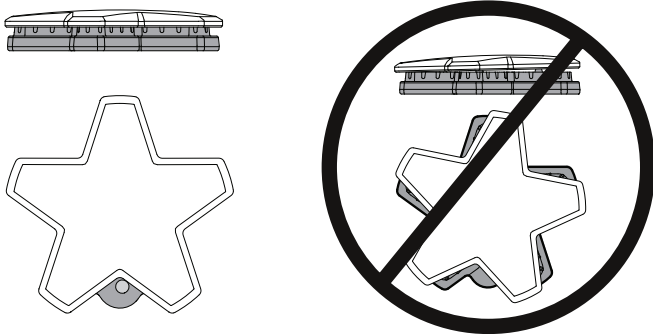
1. Place each burner cap on its correct burner base per its corresponding letter designation.



2. Place burner cap gently on top of base so that the prongs of the burner base fit snugly into the groove of the burner cap.

Checking the burner cap placement

- Check each burner to make sure there is no gap between the burner cap and burner base.
- You may gently try to move the burner caps from side to side to check if the caps are properly placed on the burner bases.
- When properly placed, each burner cap will rest flat on top of its burner base, and completely cover the star-shape of the burner base when viewed from the top as shown below.



Automatic re-ignition

Each burner has its own electronic igniter that sparks when the burner is turned on. Each burner should light in four seconds or less. If a burner does not light, check to see that the cap is positioned correctly on the base.

If any one or more burners blow out, the electronic igniter automatically activates to re-light the flame. Do not touch the burners when the igniters are active.

For flame height verification and adjustment instructions, refer to the Installation Instructions included with the appliance.

Installing the burner grates

1. Place grates flat-side down and align into the rangetop recess.
2. Grates should rest flush against each other and against the sides of the recess.

IMPORTANT

- For proper combustion do not use the rangetop without the burner grates in place.
- There is a slight sound associated with gas combustion and ignition. This is a normal condition.

Power failure

⚠ WARNING

In the event of a power failure, turn all knobs to the OFF position. Only the standard burners can be lit manually.

Refer to **IN CASE OF AN ELECTRICAL FAILURE** instructions listed in the IMPORTANT SAFETY INSTRUCTIONS on page 4.

Registering your BSH product

Register your BSH product to access your product related information. For product registration information see "Before calling for service."

Using the rangetop

This Use and Care Guide covers several models. Your model may have some but may not have all of the features listed.

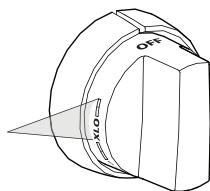
Turning on the burners

⚠ CAUTION

DO NOT touch the burners when the igniters are sparking.

1. Press in on the knob and turn it counter-clockwise to **HI**.
2. Rotate the knob to any flame setting between **HI** and **LO**.

Operating the ExtraLow[®] burners



The drawing shows that the control knob has an additional range after the XLO setting. When the knob is set within this range, the flame cycles off and on.

- XLO, the very lowest setting, is achieved by cycling the flame on for approximately 10 seconds and off for 50 seconds of each minute.
- When the knob is set just below the XLO setting, the flame will cycle on for approximately 50 seconds and off for 10 seconds of each minute.
- To vary the amount of low heat to suit the food and quantity, the control can be set anywhere within the XLO range marked on the knob.

Operating the POWERBOOST[®]

The POWERBOOST, or XHI, offers the convenience to quickly boil water, sear steaks, stir-fry vegetables, etc. Use of the LO and XLO remains the same as the other XLO knobs.

Preparing the griddle

⚠ WARNING

To avoid risk of injury, never operate the griddle without the griddle plate installed.

1. Check the griddle plate adjustment by pouring two tablespoons of water on the back of the griddle plate.
2. If water does not flow to the front of the griddle, move the griddle plate to the side.
3. Adjust the two screws under the back of the plate. Start with one half turn counterclockwise of the screws.
4. Further adjustment should be made by one-quarter turn until water slowly flows into the grease tray.

IMPORTANT:

- **NEVER** flood a hot griddle plate with cold water. This can damage the griddle plate.
- **DO NOT** clean the griddle plate in a self-cleaning oven.
- **DO NOT** heat cookware on the griddle surface.
- Care should be taken to avoid scratching or gouging the surface.
- The griddle plate is dishwasher safe, however, hand washing the griddle plate is recommended.
- The grease tray is dishwasher safe.
- Clean the grease tray after every use. When removing the tray, use care when tipping it so that the contents do not spill.

Operating the griddle

1. Press and turn the griddle knob clockwise to the desired temperature.
2. Preheat the griddle.
3. Add butter, margarine, oil or shortening if desired.

Rangetop recommendations

STAR® burner cooking recommendations

Food	Start setting	Finish setting standard burners	Finish setting XLO® burners
Beverages Cocoa	MED – heat milk, cover	LO – finish heating	XLO – keep warm, cover
Breads French toast, pancakes, grilled sandwiches	MED – preheat skillet	LO to MED – cook	LO to MED – cook
Butter Melting	LO – to start melting		Allow 5 – 10 minutes to melt
Cereals Cornmeal, grits, oatmeal	HI – cover, bring water to a boil, add cereal	LO to MED – finish cooking according to package directions	Same as for standard burners XLO – to hold, cover
Chocolate Melting	XLO – may be stirred to hasten melting		XLO – allow 10 – 15 minutes to melt XLO – to hold
Desserts Candy	LO to MED – cook following recipe	LO to MED	LO to MED
Pudding and pie filling mix	LO to MED LO – cook according to package directions	LO	LO
Pudding	LO to MED LO – bring milk to a boil	LO	LO
Eggs Cooked in shell	MED HI – cover eggs with water, add lid, bring to boil		
Fried, scrambled	LO to MED – melt butter, add eggs	LO finish cooking	Same as for standard burners XLO – to hold for a short period
Poached	HI – bring water to the boiling point, add eggs	LO to MED – finish heating	LO to MED – finish heating
Meat, fish, poultry bacon, sausage patties	MED HI – until meat starts to sizzle	LO to MED – finish cooking	LO to MED – finish cooking
Braising: Swiss steak, pot roast, stew meat	MED HI – melt fat, then brown on MED HI, add liquid, cover		XLO – Simmer until tender
Quick frying: Breakfast steaks	MED HI – preheat skillet	MED HI – fry quickly	MED HI – fry quickly
Frying: Chicken	MED HI – heat oil, then brown on MED	LO – cover, finish cooking	LO – cover, finish cooking
Deep frying: Shrimp	MED HI – heat oil	MED to MED HI – to maintain temperature	MED to MED HI – to maintain temperature
Pan frying: Lamb chops, thin steaks, hamburgers, link sausage	MED HI – preheat skillet	MED – brown meat	Same as for standard burners XLO – to hold
Poaching: Chicken, whole or pieces, fish	MED HI – Cover, bring liquids to a boil		To finish cooking
Simmering: Stewed chicken, corned beef, tongue, etc.	HI – cover, bring liquid to a boil		XLO – to simmer slowly XLO – to hold, cover

Food	Start setting	Finish setting standard burners	Finish setting XLO® burners
Pastas Macaroni, noodles, spaghetti	HI – bring water to a boil, add pasta	MED HI to HI – to maintain a rolling boil	MED HI to HI – to maintain a rolling boil
Popcorn (use a heavy, flat bottom pan)	HI – cover, heat until kernels start to pop	MED HI – finish popping	MED HI – finish popping
Pressure cooker Meat	MED HI to HI – build up pressure	LO to MED – maintain pressure	LO to MED – maintain pressure
Vegetables	HI – build up pressure	LO to MED – maintain pressure	LO to MED – maintain pressure
Rice	HI – cover, bring water and rice to a boil	LO – to maintain low boil. Cover and cook until water is absorbed	Same as for standard burners XLO – to hold, cover
Sauces Tomato base	MED HI – cook meat/ vegetables, follow recipe	LO – to maintain simmer	XLO – simmer to thicken sauce, uncovered
White cream, béarnaise	MED – melt fat, follow recipe	LO – finish cooking	XLO – to hold, cover
Hollandaise	XLO		XLO – to hold, lowest setting for short period, stir frequently
Soups, stock	HI – cover, bring liquid to a boil	LO to maintain simmer	Simmer XLO – to hold, cover
Vegetables Fresh	HI – cover, bring water and vegetables to a boil	LO to MED – cook 10 minutes, or until tender	Same as for standard burners XLO – to hold, cover
Frozen	HI – cover, bring water and vegetables to a boil	LO to MED – cook according to package directions	LO to MED – cook according to package directions
Deep frying	HI – heat oil	MED to MED HI – maintain frying temperature	MED to MED HI – maintain frying temperature
In pouch	HI – bring water and pouch to a boil	LO to MED – cook according to package directions	LO to MED – cook according to package directions
Sauté	HI – heat oil or melt butter, add vegetables	LO to MED – cook to desired doneness	LO to MED – cook to desired doneness
Stir fry	HI – heat oil, add vegetables	HI to MED HI – finish cooking	HI to MED HI – finish cooking

Griddle cooking recommendations

Food*	12" griddle	24" griddle
Bacon, sausage patties	High	Medium high
Hamburgers	High	High
Sirloin steak	High	High
Pork chops	High	Medium high
Turkey burgers	High	High
Fried eggs	Medium	Medium
Pancakes	Medium high	Medium high
Fried rice	Medium high	Medium high
Grilled cheese sandwich	Medium high	Medium high

* Level foods to a uniform thickness to ensure even cooking.

Using the oven

This Use and Care Guide covers several models. Your model may have some but not all of the modes and features listed.

Mode descriptions

Mode	Definitions and recommendations	Electric main	Gas main	Electric aux.	Gas aux.
Bake	Cooks with dry, heated air. Variety of foods, such as cakes, cookies, pastries, quick breads, quiche and casseroles.	✓	✓	✓	✓
Conv bake	Similar to bake, but air is circulated by a fan at the back of the oven. Best for baked goods such as cakes, cornbread, pies, quick breads, tarts, and yeast breads.	✓	✓	✓ ¹	✓ ¹
True conv	Cooks with heat from a third element at the back of the oven. The heat is circulated throughout the oven by the convection fan. Well suited for cooking individual serving-sized foods such as cookies and pastries.	✓			
Broil	Uses intense heat radiated from the upper element. Use for tender cuts of meat (1" or less), poultry, browning bread and casseroles.	✓	✓	✓	✓
Conv broil	Combines intense heat from upper element with fan circulation. Tender cuts of meat (more than 1"), poultry and fish. Not for browning.	✓		✓ ¹	
Proof	Proof (raises) yeast dough and sourdough.			✓	✓
Roast	Uses a more intense heat for browning of the exterior. Best suited for meats, poultry, less tender cuts of meats and roasting vegetables.	✓	✓	✓ ¹	✓
Conv roast	Uses lower and more intense heat from upper element than convection bake with air circulated by a fan. Use for tender cuts of meat and poultry and roasting vegetables. Meats are more juicy and moist than results with roast mode.	✓		✓ ¹	
Sabbath/extend bake	This cooking mode is for assisting the user for compliance to Sabbath principles.	✓	✓	✓ ¹	✓ ¹
Keep warm	Maintains a low temperature in order to keep food hot. Best for baked goods such as cakes, cornbread, pies, quick breads, tarts, and yeast breads.			✓	✓ ²
Self-clean	The oven reaches a high temperature to burn off food soil.	✓	✓ ¹	✓	✓ ¹
Remote start ³	Allows user to start, pause, and abort oven programs remotely via the Home Connect™ app on a mobile device.	✓	✓		
Fast preheat ³	Symbol displayed when fast preheating is activated.	✓		✓	
Meat probe ³	Appears when a probe is detected.	✓	✓	✓	✓
Kitchen timer ³	The kitchen timer runs independently of the other appliance functions.	✓	✓	✓	✓
Oven timer ³	Shows the amount of time that the oven mode will run before turning off automatically.	✓	✓	✓	✓
End timer ³	Used when delaying the start of a timed oven mode. Shows the time of day that the oven mode will automatically end.	✓	✓		
Panel lock ³	Prevents the oven from being turned on or its settings from being changed accidentally.	✓	✓	✓	✓

¹ Pro Grand models only ² Pro Harmony models only ³ Not available on 30" models

Mode	Definitions and recommendations	Electric main	Gas main	Electric aux.	Gas aux.
Door locking ³	Symbol is displayed during and after the self-clean mode when the door is locked.	✓	✓	✓	✓
Remote service ³	Symbol is displayed if customer service is connected during remote access.	✓	✓		
Settings ³	Press to access the settings.	✓	✓		
Home Connect ³	Remotely control your appliance with a quick click or voice command.	✓	✓		

¹ Pro Grand models only ² Pro Harmony models only ³ Not available on 30" models

Initial start-up

The time of day, language and time display settings may be accessed at any time by pressing **SETTINGS** while the appliance is in Standby mode.

1. Connect the appliance to the power supply.
2. Select a setting with the left < or > button.
3. Change the setting parameter with the right < or > button.
4. Press **ENTER**.
 - The screen changes to standby mode.

Available settings

Setting	Option
Time of day	Time in hours and minutes
Language	English, Français, Español
Clock format	12 hr, 24 hr
Clock display	Digital, Analogue
Fast preheat	On, Off
Key press sound	On, Off
Display brightness	1 – 5
Standby mode	On, Off
Dark mode	On, Off
Convection conversion	On, Off Decreases oven temperature by 25°F (14 °C)
Temperature offset	<ul style="list-style-type: none"> • Temp offset: Right oven -35° to +35°F (-20° to +20 °C) • Temp offset: Left oven -35° to +35°F (-20° to +20 °C)
Sabbath	On, Off
Home Connect	Set up using the assistant
Factory settings	Restore
Service access	Connect
Customer service	Displays customer service contact information

Home Connect™ assistant

About Home Connect

The Home Connect wizard is a part of the initial installation of the appliance on certain models. If connection is not completed during the first start-up of the appliance it may be accessed in the settings menu.

The Home Connect app must first be successfully installed on a mobile device. See the section "Home Connect™" on page 24 for full instructions on how to install the Home Connect app.

Setting up Home Connect

1. Begin from the **STANDBY** mode and select **SETTINGS**.
2. Press the left < or > to scroll to **HOME CONNECT**.
3. Press **ENTER**.
4. Follow the instructions on the display.

Setting the convection conversion

To convert most baked items for use with convection bake and true convection (cookies, cakes, pies, etc.), the oven temperature often needs to be decreased by 25 °F (14 °C). The convection conversion setting reduces the temperature you enter automatically.

- The unit will continue to run the convection conversion value indefinitely until the user manually changes it in the settings, or until the unit loses power, in which case convection conversion will need to be reset.
- Convection conversion is available for the convection bake and true convection modes only.
- For meats and poultry, the temperature should not be reduced. The same temperature recommended in recipes and cooking charts for meats and poultry should be used.

Setting the convection conversion

1. Begin from the **STANDBY** mode and select **SETTINGS**.
2. Press the left < or > to scroll to **CONVECT CONVERSION**.
3. Press the right < or > and select **ON**.

4. Press **ENTER**.
5. Turn the mode knob to **CONV BAKE** and the **TEMPERATURE** knob to the recipe temperature.
 - The oven automatically reduces the input temperature by 25°F (14 °C) to the correct temperature.
6. Allow oven to preheat and place food inside.

Setting the oven offset

The offset feature allows the cook to further fine-tune their cooking parameters to their own personal optimal settings by allowing them to adjust the temperature offset of the oven by +/-35°F in increments of 5°F. This feature is useful if you find that food is consistently either too brown or too light for your tastes.

- The offset feature is available for all modes except self-clean.
- By default, the offset temperature is set at 0°.
- The unit will continue to run the input offset value indefinitely until the user manually changes it.

Setting the oven offset with a digital display

1. Begin from the **STANDBY** mode and select **SETTINGS**.
2. Press the left < or > button to scroll **TEMP OFFSET: RIGHT/LEFT OVEN**.
3. Press the right < or > to set the temperature.
4. Press **ENTER**.

Setting the oven offset on ovens without a digital display

IMPORTANT: Offset must be initiated within 5 minutes of a power reset and must be started with the door closed. All knobs must be set to **OFF**. The door latch (if applicable) must be unlocked.

1. Reset the power at the breaker box.
 - Note:** Power must remain off for at least 20 seconds.
2. Open the oven door.
3. Rotate the mode knob to **BROIL** and the temperature knob to **350**.
4. Close the oven door.
5. Rotate the temperature knob back to **OFF**.

- Note:** Steps 3, 4, and 5 must be completed within 5 seconds after door is opened (step #2).
 - All oven LEDs will flash four times to indicate the temperature offset has been initiated.

Knob position	Temperature offset value (°F)
225	-50
250	-40
275	-30
300	-20

325	-10
350	0
375	10
400	20
425	30
450	40
475	50

NOTE: If the mode knob is rotated to any position other than **OFF** or if more than 1 minute passes with no activity while setting the temperature offset mode, the mode is exited without any change to the offset. All LEDs flash 8 times to indicate the offset has been exited.

Setting the cooking mode and oven temperature

1. Place rack in desired rack position and shut the door.
2. Turn the **MODE** knob to **BAKE**, for example.
3. Turn the **TEMPERATURE** knob.
 - The blue preheating bar moves to the right as the oven heats up.
4. After oven has preheated, place food inside.

Setting the timers

- The **KITCHEN TIMER** can be set for up to 24 hours. It can be used despite whether the range is in operation and independently of all other functions. The appliance does not switch on and off automatically.
- With the **OVEN TIMER**, the appliance switches off automatically when the desired cooking time is complete.
- Use the **END TIMER** to delay the cooking time to end at a later time. For example, it is 4:00 PM. The dish requires a cooking time of 40 minutes. You want it to be ready at 5:30. Enter the cooking time and delay the cooking time end until 5:30. The appliance starts automatically at 4:50 and switches off at 5:30.

Setting the kitchen timer

1. Press **TIMERS**.
2. Press the left < or > and select **KITCHEN TIMER**.
3. Press the right < or > to set your desired time and press **ENTER**.
 - A beep sounds when the timer ends. Press **ENTER** to terminate the beep and timer.

Changing a running timer

1. Press **TIMERS**.
2. Press the right < or > to set your desired time and press **ENTER**.

Setting the oven timer

1. Turn the **MODE** knob to **BAKE**, for example.
2. Turn the **TEMPERATURE** knob to **350**, for example.

3. Press **TIMERS**.
4. Press the left < or > and select **OVEN TIMER**.
5. Press the right < or > to set your desired time and press **ENTER**.
 - After the set time has elapsed, the appliance switches off automatically when the desired cooking time is complete. A beep sounds when the timer ends.

Setting the end timer

1. Set the desired cooking mode and oven temperature.
2. Press **TIMERS**.
3. Press the left < or > and select **OVEN TIMER**.
4. Press the right < or > to set the oven time.
5. Press the left < or > and select **END TIME**.
6. Press the right < or > to set the end time and press **ENTER**.
 - After confirming the end time the waiting time notification appears. After the waiting period the oven starts heating.

Setting fast preheat

- With fast preheat, you can shorten the preheat time required for some heating modes. Fast preheat is generally recommended for frozen convenience foods, casseroles, or other foods that require longer baking times. This mode is not recommended for baked goods.
- The unit will continue to run the fast preheat indefinitely until the user manually changes it in the settings, or until the unit loses power, in which case fast preheat will need to be reset.
- Fast preheat will also be activated for the secondary oven on 48" models.
- Fast preheat is available for the bake, convection bake, roast, and convection roast modes.
- To achieve an even cooking result, do not place your food into the oven until fast preheating is complete.

Setting fast preheat

1. Begin from the **STANDBY** mode and select **SETTINGS**.
2. Press the left < or > to scroll to **FAST PREHEAT**.
3. Press the right < or > and select **ON** and then press **ENTER**.

Setting the panel lock

The panel lock is a safety mechanism to prevent the accidental turning on of the oven or changing an oven setting. Panel lock can only be activated in standby.

1. Press and hold **TIMERS** for four seconds.
 - The panel lock key symbol and **PANEL LOCKED** will appear in the display.

2. To deactivate, press and hold the **TIMERS** button for four seconds.

Setting the oven for proof

It is best to start with a cool oven when using the proofing mode.

1. Allow dough to thaw if frozen.
2. Place dough in dish and loosely cover.
3. Use any rack level that accommodates the size of the bowl or pan. Close the door.
4. Turn the mode knob to **PROOF**.
5. Turn the oven temperature knob to 150°F.
 - The ideal temperature for proofing will be maintained until the mode knob is turned off. Dough has "proofed" when it has doubled in size.

Setting the keep warm mode

1. Turn the mode knob to **WARM**.
2. Turn the oven temperature knob to 150°F.
3. Place warmed dish in the oven and close the door.

Programming the meat probe

The meat probe allows you more control over how your foods are cooked by automatically disabling the specified cooking mode when a dish's desired temperature, defined by the cook, has been reached. The probe expresses the current temperature of the meat as it cooks.

The temperature probe will not work with the oven timer or with the end timer. The following are the heating modes that work with the temperature probe:

- Bake
- Convection bake
- Roast
- Convection roast

Programming the meat probe

1. Insert the plug end into the probe outlet in the oven wall and insert the meat probe end into the meat.
2. Close the oven door.
3. Turn the **MODE** and **TEMPERATURE** knobs to your desired settings.
4. Press the right < or > to the desired internal temperature.

Setting the Sabbath mode

About Sabbath mode – using the rangetop

⚠ WARNING

When using a blech, use only one STAR® burner at the lowest setting. Using multiple STAR burners might cause overheating, combustion issues, or damage to the appliance. **DO NOT** cover vent openings.

- When Sabbath mode is initiated, the STAR burners with the XLO feature are deactivated.
- The standard STAR gas burners without the XLO feature remain fully functional.
- The induction module, griddle, and/or the grill are fully functional during Sabbath mode.
- The standard gas STAR burners remain on during a power failure.
- The STAR burners are equipped with a re-ignition feature. The igniter will automatically re-light the STAR burner if the flame is blown out.

About Sabbath mode – using the oven(s)

- The oven maintains a constant temperature between 150°F and 475°F (66°C and 246°C) with the bake mode.
- Cooked dishes are kept warm for a minimum time of 30 minutes and up to a maximum time of 74 hours without needing to switch the appliance on or off.
- Easily perishable foodstuffs must not be left in the oven for too long.
- On the Sabbath, in lieu of a blech, the oven controls should be covered. Be careful not to cover vent openings.
- The oven lamp(s) is disabled in Sabbath mode.
- The temperature may be adjusted for cooking purposes during Holidays. (There is a delay between the request and implementation).

Setting Sabbath mode on the main oven

1. Begin from the **STANDBY** mode and select **SETTINGS** on the main oven display.
2. Press the left < or > to scroll to **SABBATH**.
3. Press the right < or > and select **ON** and then press **ENTER**.
 - Steps 1 through 3 are only necessary for the first time use of Sabbath or if the appliance's settings are factory reset.
4. Turn the main oven mode knob to **BAKE** and turn the temperature knob to the desired temp.
5. Press **TIMERS** on the main oven display.
6. Press the left < or > to scroll to **SABBATH TIMER**.
7. Press the right < or > and enter the **DURATION TIME** in 30 minute increments.
8. Press **ENTER**.

- A delay notification appears. During this five minute pause, the user can adjust the parameters. After the countdown the oven starts heating and all buttons are disabled.
 - The secondary oven can be turned to any heating mode position to initiate Sabbath during the five minute pause.
9. After the Sabbath timer has completed, turn all knobs to **OFF**.

Canceling Sabbath mode

1. Turn all knobs to **OFF** to cancel the operation.

Setting Sabbath mode on the secondary oven

1. Begin from the **STANDBY** mode and select **SETTINGS** on the main oven display.
2. Press the left < or > to scroll to **SABBATH**.
3. Press the right < or > and select **ON** and then press **ENTER**.
 - Steps 1 through 3 are only necessary for the first time use of Sabbath or if the appliance's settings are factory reset.
4. Turn the secondary oven mode knob to **BAKE** and turn the temperature knob to the desired temp.
5. Press **TIMERS** on the secondary oven display.
6. Press the left < or > to scroll to **SABBATH TIMER**.
7. Press the right < or > and enter the **DURATION TIME** in 30 minute increments.
8. Press **ENTER**.
 - During the five minute pause, the user can adjust the parameters. After the countdown the oven starts heating and all buttons are disabled.

To cancel Sabbath

1. Turn all knobs to **OFF** to cancel the operation.

Setting extended bake (Sabbath mode) on models without a digital display

1. Turn the mode knob to **EXTEND BAKE**.
2. Turn the temperature knob to desired temp.

Initiating remote start

⚠ WARNING

REMOTE OPERATION

Some models allow remote operation at any time. Do not store any flammable materials or temperature sensitive items inside, on top or near surface units of the appliance.

We are constantly working to improve the Home Connect app, which may lead to differences in the setup steps. Please rely on the instructions in the latest version on the Home Connect app to guide you through the setup process.

For some models a permanent remote start can be activated via the Home Connect app. This function allows a remote start of the available operating modes without automatically deactivating remote start.

- Remote start allows you to start, pause, and abort oven programs remotely via the Home Connect™ app on a mobile device.
- Ensure that you follow the safety instructions in this instruction manual and that you comply with these even when you are away from home and are operating the appliance via the Home Connect app. You must also follow the instructions in the Home Connect app.
- The remote start can only be employed if the Home Connect app has been successfully installed on a mobile device. See the section “Home Connect” for instructions on how to install the Home Connect app.
- Some operating modes can only be started on the oven itself.
- Operating the appliance directly from the appliance always has priority. During this time, it is not possible to operate the appliance using the Home Connect app.
- If the appliance is not connected to the home network, the appliance functions in the same way as an oven with no network connection and can still be operated via the appliance.
- The availability of the Home Connect function depends on the availability of Home Connect services in your country. Home Connect services are not available in every country. You can find more information on this at www.home-connect.com.

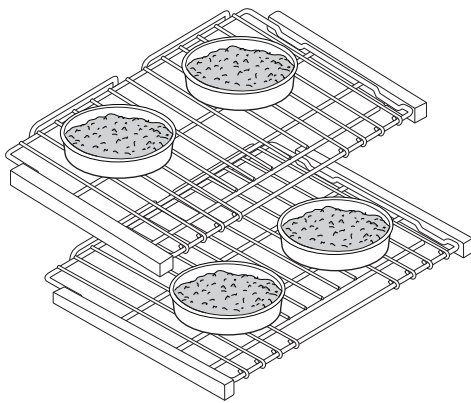
Setting remote start

1. Place the food in the oven and then close the door.
2. Turn the mode knob to **REMOTE START**.
 - **DO NOT** rotate the temperature knob to any setting (leave in the off position).
 - The displays turns to the standby screen and a remote symbol appears in the display.
3. Continue with the Home Connect app installed on your mobile device.

Oven recommendations

Oven rack positions

- Rack level positions in the oven are numbered on the front frame like an elevator. Number one level is the lowest and number five level is at the top.
- Rack positions are general recommendations for baking; however, if a recipe calls for a different rack position than those given, then the recipe or package directions should be followed.
- Allow at least 1" (25.4 mm) of space between the pans and the oven walls so heat can circulate around each pan.
- Stagger bakeware so that one is not directly above another. Allow 1½" (38 mm) above and below each pan.



Bake

Main oven one rack baking

Level	Bake mode
4	-- Best for individual baked goods such as cookies, biscuits, pastries, etc.
3	-- Best used for most baked items.
2	-- If the item is tall, such as an angel food cake. -- Pies are best baked on rack level 2 to make certain the bottom of the crust is done without over-browning the top. -- When large pieces of meat or poultry are roasted, such as a prime rib of beef or a turkey.

Main oven two rack baking

Levels	Bake mode
2 and 5 dual fuel 2 and 4 gas	-- Casserole dishes

Secondary oven (48" models)

Level	Bake mode
3	-- Best used for most baked items.

Main oven three rack baking

If three-rack baking is desired, the convection bake or true convection modes are best.

Broil

Close the oven door while broiling and monitor the food closely. Food placed close to the broil element may cause smoking, splattering, and the possibility of fats igniting. Use caution when broiling on upper rack positions. Broiling above rack position 4 is not recommended in the Pro series gas ranges.

Dual fuel main oven broil rack recommendations

Level	Dual fuel broil mode
5	-- Beef steaks, ground meat patties, ham steak and lamb chops 1" or less in thickness. Also use when top browning foods.
4	-- Meat 1-1/8" or more in thickness or fish, poultry, pork chops and ham steaks 1" or more in thickness.
3	-- Chicken quarters or halves.

Gas main oven broil rack recommendations

Level	Gas broil mode
4	-- Beef steaks, ground meat patties, ham steak and lamb chops 1" or less in thickness.
3	-- Meat 1-1/8" or more in thickness or fish, poultry, pork chops and ham steaks 1" or more in thickness. Use this rack when broiling chicken quarters or halves. Also use when top browning foods.

Secondary oven broil rack recommendations (48" models only)

Levels	Secondary broil mode
3, 4, or 5 – Dual fuel 1, 3, or 4 – Gas	-- Depending upon the type and thickness of the food.
5 – Dual fuel 3 – Gas	-- Top browning of foods.

Convection bake

- To convert most recipes for baked items (cookies, cakes, pies, etc.); reduce the oven temperature by 25°F (14 °C).
- For meats and poultry, the temperature should not be reduced. The same temperature recommended in recipes and cooking charts for meats and poultry should be used.
- Low, shallow bakeware should be used with convection cooking. This allows the heated air to circulate around the food.
- When baking on more than one rack, cookie sheets should not be staggered; round cake pans should be staggered.
- For small items such as cookies, check to see if they are done one to two minutes before the recipe time. For larger baked items such as cakes, check five to six minutes before the time indicated on the recipe.
- Large meat or poultry items may cook up to 30 minutes less than the suggested time so check them so they will not be over baked.

Pro Harmony — One rack convection baking

Level	Conv bake mode
3 or 4	-- When baking on one rack, best results are obtained in the bake mode.
2	-- Roasting a turkey or a large piece of meat.

Pro Harmony — Two rack convection baking

Levels	Conv bake mode
2 and 4 Dual fuel	-- Use for cakes. Cake pans should be staggered.
Gas see note	-- Gas range rack levels for: Cookies: 3 and 5 Cakes: 2 and 5

Pro Harmony — Three rack convection baking

Levels	Conv bake mode
1, 3, and 5 Dual fuel	-- When several sheets of cookies are to be baked. Place the baking sheets directly above each other on the respective racks to allow air to flow around the baking sheets.
Gas see note	-- Gas range rack levels for: Cookies: 3, 4, and 5 Pastries and other baked goods: 1, 3, and 5

Pro Grand — One rack convection baking

Level	Conv bake mode
3	-- When baking on one rack, best results are obtained in the bake mode.
2	-- Roasting a turkey or a large piece of meat.

Pro Grand — Two rack convection baking

Levels	Conv bake mode
2 and 4	-- Use for cakes, cookies, biscuits, and other baked goods. Cake pans should be staggered. Cookie sheets should be placed on rack 2 directly under the one on rack 4.
	-- To bake several casseroles, frozen pies, or cakes.
	-- These two racks can also be used for a large oven meal.

Pro Grand — Three rack convection baking

Levels	Conv bake mode
1, 3, and 5 Dual fuel	-- When several sheets of cookies are to be baked. Place the baking sheets directly above each other on the respective racks to allow air to flow around the baking sheets.
Gas see note	-- Gas range rack levels for: Cookies: 2, 3, and 4 Other foods: 1, 3, and 5

Convection bake dehydration recommendations

Food	Preparation	Approx. time (hrs)	Doneness test
Apple, ¼" slices	Dipped in ¼ cup lemon juice and 2 cups water	8 – 15	Slightly pliable
Bananas, ¼" slices	Dipped in ¼ cup lemon juice and 2 cups water	8 – 15	Slightly pliable
Cherries	Wash and towel dry. For fresh cherries, remove pits	7 – 18	Pliable leathery, chewy
Orange peels	Orange part of skin thinly peeled from oranges.	1 – 4	Dry and brittle
Orange slices	¼" slices of orange	9 – 16	Skins are dry and brittle, fruit is slightly moist
Pineapple rings	Towel dried	7 – 12	Soft and pliable

Strawberries	Wash and towel dry. Sliced ½" thick, skin down on rack	9 – 17	Dry and brittle
Peppers	Wash and towel dry. Remove membrane of peppers, 1" coarsely chopped pieces	13 – 17	Leathery with no moisture inside
Mushrooms	Wash and towel dry. Cut thin slices, 1/8" thick	5 – 12	Tough and leathery, dry
Tomatoes	Wash and towel dry. Cut thin slices, 1/8" thick, drain well	5 – 12	Dry, brick red color

True convection

True convection recommendations

Dual fuel levels	True conv mode
4 and 5	-- Cookies
2, 3, and 4	-- Cookies
1, 3, and 5	-- Pastries and other baked goods

Proof

Proof recommendations

Size	Time
Loaf, 1 lb (0.45 kg)	60 – 75 minutes
Rolls, 0.1 lb (0.05 kg)	30 – 45 minutes

Roast

Roasting recommendations

Meat and poultry	Temperature	Level
Beef		
Pot roast, 3 – 4 lbs.	350°F (180°C)	1
Beef brisket	350°F (180°C)	2
Beef chuck	350°F (180°C)	1
Meatloaf	350°F (180°C)	3
Poultry		
Chicken, whole	375°F (190°C)	2
Chicken, pieces	375°F (190°C)	2
Turkey, whole	325°F (165°C)	2
Pork		
Shoulder	325°F (165°C)	1
Smoked ham, half	325°F (165°C)	1

Home Connect™

We are constantly working to improve the Home Connect app, which may lead to differences in the setup steps. Please rely on the instructions in the latest version of the Home Connect app to guide you through the setup process.

To help your pairing experience, follow the link for a quick 'how-to' video guide: www.thermador.com/us/home-connect/wifi-pairing-instructions.

Notes

- Follow the safety information in this instruction manual and ensure that it is also observed when operating the appliance using the Home Connect app.
- Operating the appliance on the appliance itself always takes priority. It is not possible to operate the appliance using the Home Connect app during this time.

Home Connect setup

Downloading the Home Connect app and creating a user account

1. Open the App Store (Apple® devices) or Google Play™ store (Android™ devices) on your smartphone or tablet.
2. Search for the Home Connect (America) app published by Robert Bosch Hausgeräte GmbH in the store's search.
3. Open the app and register to create a Home Connect account.
4. Write down your Home Connect account credentials (user account and password). You will need them later.
Save your Home Connect login details here:
Network name(SSID):.....
Password(Key):.....
5. The app will guide you through the steps of adding your appliance to Home Connect.

Connecting your appliance to your home network manually

1. Press **SETTINGS** and select **HOME CONNECT**.
2. Press **ENTER**.
If no network has been established, the Home Connect assistant will guide you.
3. Press **ENTER** to select the Home Connect assistant.
4. Follow the instructions in the app.
5. Wait until "NETWORK CONNECTED" is shown on the display.

The connection may fail. The display will alert you to try again or connect automatically.

The appliance is ready to connect to the app.

6. Follow the instructions of the app on your mobile device for automatic network registration.

The process for registering is completed once "PAIRING SUCCESSFUL" is shown in the display.

Connect your appliance to your home network with WPS

1. Press **SETTINGS** and select **HOME CONNECT**.
2. Press **ENTER**.
-- A request to press the WPS button on the router within 2 minutes appears in the display.
3. Press the **WPS button** on your router.
-- Please consult your router's manual to locate the WPS button.
-- The app will get notified once your appliance has been successfully connected to your Wi-Fi network.
4. Press **ENTER**.
-- A message will appear in the display informing the user if the network was connected successfully.
5. Press **START PAIRING** in the Home Connect app.
6. Follow the directions in the app.

Activating or deactivating Wi-Fi

1. Press **SETTINGS** to cycle through available options until "HOME CONNECT SETTINGS" is displayed.
2. Press **ENTER**.
3. Press **SETTINGS** to cycle through available options until "WI-FI ON" or "WI-FI OFF" is displayed.
4. Press **ENTER**.
5. Press **0** for turning Wi-Fi off, or **1** for turning Wi-Fi on. "DEACTIVATING WI-FI" or "ACTIVATING WI-FI" is displayed.

Disconnecting from the network

Note: If your appliance is disconnected from the network, it is not possible to operate the oven using Home Connect.

1. Press **SETTINGS** to cycle through available options until "HOME CONNECT SETTINGS" is displayed.
2. Press **ENTER**.
3. Press **SETTINGS** to cycle through the available options until "NETWORK CONNECTED" is displayed.
4. Press **ENTER**.
"PRESS 0 TO DISCONNECT" is displayed.
5. Press **0**.
"DELETING NETWORK" is displayed.

Connecting to the network

1. Press **SETTINGS** to cycle through available options until "HOME CONNECT SETTINGS" is displayed.
2. Press **ENTER**.
"PRESS ENTER FOR HC" is displayed.
3. Press **ENTER** to start the Home Connect assistant.
4. Follow the instructions in the sections
 - "Manually registering your appliance in the home network", or
 - "Connect your appliance to your home network with WPS".

Connecting to the app

If the Home Connect app is installed on your mobile device, you can connect it to your oven.

Requirement: The appliance is connected to the network.

1. Press **SETTINGS** to cycle through available options until "HOME CONNECT SETTINGS" is displayed.
2. Press **ENTER**.
"PRESS ENTER FOR HC" is displayed.
3. Press **SETTINGS** to cycle through available options until "CONNECT TO HC APP" is displayed.
4. Press **ENTER**.
"CONFIRM ON HC APP" is displayed.
5. Confirm the connection on your Home Connect app.

Setting the remote start

See "Initiating remote start" on page 27.

Setting the remote control

1. Press **SETTINGS** to cycle through available options until "HOME CONNECT SETTINGS" is displayed.
2. Press **ENTER**.
"PRESS ENTER FOR HC" is displayed.
3. Press **SETTINGS** to cycle through available options until "REMOTE CTRL DISABLED" or "REMOTE CTRL ENABLED" is displayed.
4. Press **ENTER**.
"PRESS 1 REMOTE CTRL ON" or "PRESS 0 REMOTE CTRL OFF" is displayed.
5. Press **1** or **0** to switch remote control on or off.

Remote diagnostics

Customer Support can access your appliance via Remote Diagnostics if you ask them to do so, if your appliance is connected to the Home Connect server, and if Remote Diagnostics is available in the country where you are using the appliance.

Tip: Further information and details about the availability of remote diagnostics in your country can be found in the Service/Support section of your local website: www.home-connect.com

¹Wi-Fi is a registered trade mark of the Wi-Fi Alliance.

Care and maintenance

This guide covers several models. Your model may not have all of the modes listed.

For more cleaning recommendations and tips to get the most out of your appliance, refer to the website at

- US: www.thermador.com/us/support/customer-care/faqs/gas-ranges
- Canada: www.thermador.ca/en/support/customer-care/faqs/ranges

Setting the oven to self-clean

WARNING

- During the self-clean cycle, exterior surfaces may become hotter than usual. Parts of the appliance may become potentially harmful to children, and to persons who lack adult knowledge of appliances and lack adult reactions to potentially harmful conditions. Keep these individuals away during self-clean and while the appliance is in use. Care is needed when using other functions.
- The elimination of soil during self-cleaning may facilitate the emission of small amounts of chemicals or other substances that may be harmful upon sufficient exposure. To minimize exposure to these substances, provide good ventilation with an open window, or use a ventilation fan or hood.
- For the self-cleaning cycle of your range, remove small animals and birds from the kitchen and surrounding areas. Open a nearby window for additional ventilation. During self-clean, fumes are released that may be harmful.

About self-clean

- The self-cleaning mode of your new range features pyrolytic self-cleaning. When set to the self clean mode, the oven reaches a high temperature, approximately 850°F (454°C), that burns off the food soil.
- When the oven is set for self clean, the standard cooktop burners and the electric griddle may be used. The burners having the ExtraLow[®] feature cannot be used.
- **It is common to see smoke and/or flames during the clean cycle**, depending on the content and amount of soil remaining in the oven. If a flame persists, turn off the oven and allow it to cool before opening the door to wipe up the excessive food soil.

- At the end of the clean cycle, some gray ash or burned residue may remain inside the oven. This is a mineral deposit that does not burn or melt. The amount of ash depends on how heavily soiled the oven was before it was cleaned. When the oven is cold, it is easily removed using a damp paper towel, sponge, or cloth.
- To reduce flare ups and excess smoke wipe out puddles of grease and any loose soil that can be easily removed. Remove any soil that is outside the door seal area. This appliance is designed to clean the oven interior and the portion of the door that is inside the oven. The outer edges of the door and the frame surrounding the front of the oven are not in the cleaning zone. Wipe this area clean.

Before setting the oven to self-clean

- Remove all utensils.
- Remove racks and rack guides.
- Clean the oven front frame and outer door edges.
- Wipe up large spillovers and grease.
- Be sure the light bulbs and glass covers are in place.
- Turn on the ventilator hood above the range and leave it on until the oven has completed the self-clean cycle.

Setting self-clean on 30" dual fuel Harmony series models

1. Remove all utensils, racks, and rack guides. Ensure the oven door is shut.
2. Turn the mode knob to **SELF CLEAN**.
3. Turn the temperature knob to **CLEAN**.
 - Self-clean duration is 2 hours.

Setting self-clean on dual fuel models with a display

1. Remove all utensils, racks, and rack guides. Ensure the oven door is shut.
2. Turn the mode knob to **SELF CLEAN** and the temperature knob to **CLEAN**.
3. Press the right > to set the desired clean level and press **ENTER**.

Soil level	Duration (excluding cool off)
Low	1 ½ hours
High	3 hours

4. After the information text, press **ENTER**.



NOTE: The door closing process takes approximately 20 seconds to complete, at which time the door becomes locked. Check to make certain the door is locked. Do not use self-clean if the oven doesn't lock.

At the end of the clean cycle

⚠ CAUTION

The interior of the oven will still be at baking temperatures when the automatic lock cycles to its open position and the oven door can be opened.

The door latch will open automatically when the oven is below 500°F (260°C).

1. Turn the mode knob to **OFF**.
2. Turn the temperature knob to **OFF**.

To set end time of self-clean

1. Remove all utensils, racks, and rack guides. Ensure the oven door is shut.
2. Turn the mode knob to **SELF CLEAN**.
3. Press the right < or > to set the desired clean level and press **ENTER**.
4. Press **TIMERS**, press the left < or >, and select **END TIMER**.
5. Press the right < or > to set the **END TIMER**, and press **ENTER**.
6. After the information text, press **ENTER**.

NOTES:

- After self-clean completes its cycle, the self-clean function will be prevented from running again for a period of 24 hours.
- If the user tries to enable a self-clean function in an oven where the self-clean function has been restricted, the oven lights will blink on and off in 2-second intervals to indicate to the user that the function is not available. User must turn the knobs to **OFF** to cease the blinking lights.

Cleaning the appliance

⚠ CAUTION

Avoid cleaning any part of the range while it is hot.

- The porcelain enamel finish is acid resistant, but not acid proof. Acidic foods, such as citrus juices, tomatoes, rhubarb, vinegar, alcohol or milk, should be wiped up and not allowed to bake onto the porcelain during the next use.
- Use the mildest cleaning procedure that will do the job efficiently and effectively. Some cleaners of the same type are harsher than others. Try on a small inconspicuous area first.
- Always rub metal finishes in the direction of the polish lines for maximum effectiveness and to avoid marring the surface.
- Use only clean soft cloths, sponges, paper towels, fibrous brushes, plastic, non-metal or steel wool soap pads for cleaning and scouring, as recommended on the chart.
- Most exterior parts of this appliance can be cleaned with hot sudsy water (except the various items specifically identified otherwise). When rinsing is required, rinse thoroughly.
- Always wipe dry immediately to avoid water marks.
- **DO NOT USE CHLORINE BASED CLEANERS.**

Replacing the oven light bulb

⚠ CAUTION

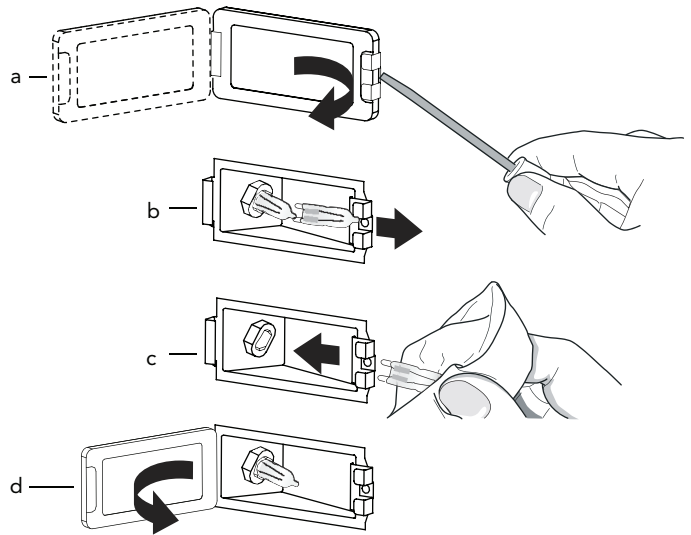
The light socket is live when the door is open. Make sure the appliance and lights are cool and power to the appliance has been turned off before replacing the light bulb(s). Failure to do so could result in electrical shock or burns. The covers must be in place when using the appliance.

Use only 10W, 12V G4 light bulbs. Use a clean, dry cloth to handle the light bulbs. This will increase the life of the bulb.

Replacing the light bulb

1. Turn off circuit breaker.
2. Remove the oven racks.
3. Slide the tip of a flat blade screw driver between the holder clip and the lamp housing (figure, a).
4. Support the glass lens cover with fingers along the bottom edge to prevent the cover from falling to the bottom of the oven. Gently twist the flat blade screw driver to loosen the glass lens cover.
5. Remove the glass lens cover.
6. Remove the bulb by grasping and sliding the bulb straight back until the two prongs have cleared the ceramic holder (figure, b).

7. **DO NOT** touch the glass of the new replacement bulb with your fingers. It may cause the bulb to fail when it first lights. Grasp the replacement bulb with a clean dry cloth. Locate the two prongs in the ceramic holder, gently poking until the two prongs locate in the ceramic socket.
8. Press down to seat the bulb (figure, c).
9. Slide the protective lens into the holder clip and push the other end until the fixing clip snaps back into the housing (figure, d).



10. Turn on circuit breaker.

Troubleshooting

You can eliminate minor faults on your appliance yourself. Please read the information on eliminating faults before contacting Customer Service. This may avoid unnecessary service visits.

Symptom	Possible cause	Remedy
Intermittent igniter sparking	<ul style="list-style-type: none"> Ceramic igniter is wet or dirty. Burner ports are clogged. 	<ul style="list-style-type: none"> Carefully dry or clean igniter. Clean ports on burner cap with a wire, a needle or straightened paper clip.
More than four clicks of igniter before lighting	<ul style="list-style-type: none"> Improper fit of burner cap onto burner base. 	<ul style="list-style-type: none"> Align burner cap properly on burner base.
Constant igniter sparking	<ul style="list-style-type: none"> Range is not properly grounded. Electrical power supply is incorrectly polarized. 	<ul style="list-style-type: none"> Refer to the Installation Instructions. Have a qualified electrician ground the range properly.
Igniters sparking but no flame ignition.	<ul style="list-style-type: none"> Gas supply valve is in "OFF" position. 	<ul style="list-style-type: none"> Restore gas supply to the unit.
Range will not operate (lights, oven, and surface burners will not come on)	<ul style="list-style-type: none"> No power to the unit. Oven is in Sabbath mode. 	<ul style="list-style-type: none"> Check for open circuit breaker. Check that power supply line connection is connected to the proper voltage. Verify that the oven is not in Sabbath mode. See the "Using the oven" section of the Use and Care Guide.
Oven operates on bake but fails to operate on timed bake	<ul style="list-style-type: none"> Timer improperly set. 	<ul style="list-style-type: none"> Set timer as outlined in the Use and Care Guide.
Oven light fails to come on.	<ul style="list-style-type: none"> Oven light burned out. 	<ul style="list-style-type: none"> Replace the oven light as outlined in the Use and Care Guide.
Door will not open.	<ul style="list-style-type: none"> Oven is still in self-clean mode. 	<ul style="list-style-type: none"> If oven is hot, door latch will release when safe temperature is reached.
Foods in oven are not cooking evenly.	<ul style="list-style-type: none"> Appliance not level. 	<ul style="list-style-type: none"> Refer to the Installation Instructions for instructions on how to level the appliance.
Hot air is coming from the appliance.	<ul style="list-style-type: none"> It is normal for the cooling process to push heated air out into the room when the oven is on. During different modes the fan speed will increase and decrease. 	<ul style="list-style-type: none"> This is normal.

Service information

We're happy to assist you with cleaning and care instructions, accessories, troubleshooting, scheduling service visits and more.

Browse our online resources, such as FAQs and How-to Videos, or call us.

Contacting customer support

USA	Canada
1-800-735-4328	
www.thermador.com/us/support/customer-care	www.thermador.ca/en/support/customer-care

Model number (E-Nr.), production number (FD) and Z-Nr.

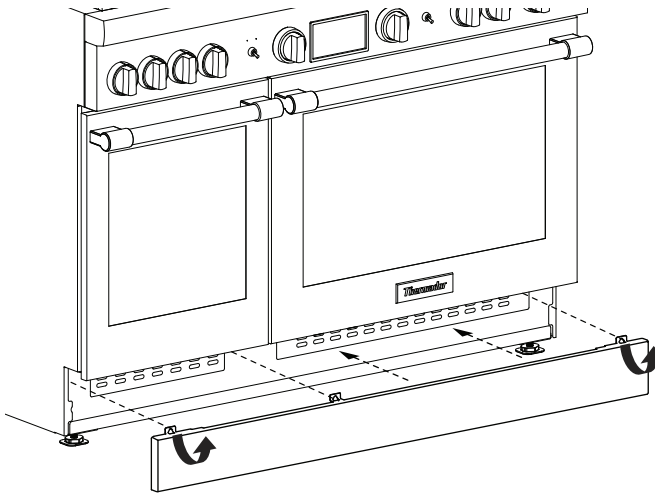
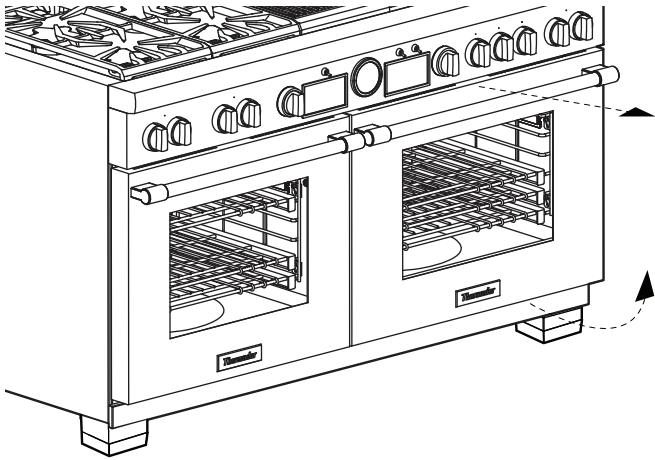
Please have the model number (E-Nr.), the production number (FD) and the consecutive numbering (Z-Nr.) of your appliance noted.



This information can be found on the appliance rating plate.

Rating plate location

The rating plate shows the model and serial number of your appliance. Depending on your model, the rating plates are located above the main oven or behind the kick plate.

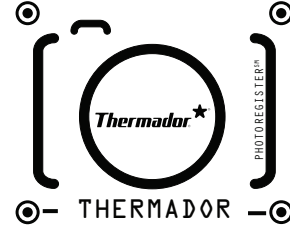



Product registration

Register your BSH product to access to your product related information.

You may register your product through one of the following ways:

- Register with your phone (USA only).
 1. Take a photo of the camera icon on the registration card, including the points (⊙)



2.  ext the photo to 21432. (USA only, text and data rates may apply.)
- Mail in the completed product registration card to the address printed on the card.
 - Register your product online at
US: www.thermador.com
CA: www.thermador.ca
 - Call Thermador customer service at 1-800-735-4328.

Remote customer service connection

It is possible for customer service to access the appliance via the Home Connect™ connection in the event of an error.

Granting customer service access to the appliance

1. Contact customer service. Follow the instructions given to you by the representative.
2. Press **ENTER** to allow customer service access.

Statement of limited product warranty

What this warranty covers and who it applies to

The limited warranty provided by BSH Home Appliances (“Thermador”) in this Statement of Limited Product Warranty applies only to the Thermador appliance sold to you (“Product”), provided that the Product was purchased:

- For your normal, household (non-commercial) use, and has in fact at all times only been used for normal household purposes.
- New at retail (not a display, “as is”, or previously returned model), and not for resale, or commercial use.
- Within the United States or Canada, and has at all times remained within the country of original purchase.

The warranties stated herein apply to the original purchaser of the product warranted herein and to each succeeding owner of the product purchased for ordinary home use during the term of the warranty.

Please make sure to return your registration card; while not necessary to effectuate warranty coverage, it is the best way for Thermador to notify you in the unlikely event of a safety notice or product recall.

How long the warranty lasts

Thermador warrants that the Product is free from defects in materials and workmanship for a period of seven hundred and thirty (730) days from the date of the original purchase. The foregoing timeline begins to run upon the date of the original purchase, and shall not be stalled, tolled, extended, or suspended, for any reason whatsoever.

This Product is also warranted to be free from cosmetic defects in material and workmanship (such as scratches of stainless steel, paint/porcelain blemishes, chip, dents, or other damage to the finish) of the Product, for a period of sixty (60) days from the date of purchase or closing date for new construction. This cosmetic warranty excludes slight color variations due to inherent differences in painted and porcelain parts, as well as differences caused by kitchen lighting, product location, or other similar factors. This cosmetic warranty specifically excludes any display, floor, “As Is”, or “B” stock appliances.

Repair/replace as your exclusive remedy

During this warranty period, Thermador or one of its authorized service providers will repair your Product without charge to you (subject to certain limitations stated herein) if your Product proves to have been manufactured with a defect in materials or workmanship. If reasonable attempts to repair the Product have been made without success, then Thermador will replace your Product (upgraded models may be available to you, in Thermador’s sole discretion, for an additional charge). Nothing in this warranty requires damaged or defective parts to be replaced with parts of a different type or design than the original part. All removed parts and components shall become the property of Thermador at its sole option. All replaced and/or repaired parts shall assume the identity of the original part for purposes of this warranty and this warranty shall not be extended with respect to such parts. Thermador’s sole liability and responsibility hereunder is to repair manufacturer-defective Product only, using a Thermador-authorized service provider during normal business hours. For safety and property damage concerns, Thermador highly recommends that you do not attempt to repair the Product yourself, or use a non-authorized service provider; Thermador will have no responsibility or liability for repairs or work performed by a non-authorized service provider. Authorized service providers are those persons or companies that have been specially trained on Thermador products, and who possess, in Thermador’s opinion, a superior reputation for customer service and technical ability (note that they are independent entities and are not agents, partners, affiliates or representatives of Thermador).

Notwithstanding the foregoing, Thermador will not incur any liability, or have responsibility, for the Product if it is located in a remote area (more than 100 miles from an authorized service provider) or is reasonably inaccessible, hazardous, threatening, or treacherous locale, surroundings, or environment; in any such event, if you request, Thermador would still pay for labor and parts and ship the parts to the nearest authorized service provider, but you would still be fully liable and responsible for any travel time or other special charges by the service company, assuming they agree to make the service call.

Out of warranty product

Thermador is under no obligation, at law or otherwise, to provide you with any concessions, including repairs, prorates, or Product replacement, once this warranty has expired.

Warranty exclusions

The warranty coverage described herein excludes all defects or damage that are not the direct fault of Thermador, including without limitation, one or more of the following:

- Use of the Product in anything other than its normal, customary and intended manner (including without limitation, any form of commercial use, use or storage of an indoor product outdoors, use of the Product in conjunction with air or water-going vessels).
- Any party's willful misconduct, negligence, misuse, abuse, accidents, neglect, improper operation, failure to maintain, improper or negligent installation, tampering, failure to follow operating instructions, mishandling, unauthorized service (including self performed "fixing" or exploration of the appliance's internal workings).
- Adjustment, alteration or modification of any kind.
- A failure to comply with any applicable state, local, city, or county electrical, plumbing and/or building codes, regulations, or laws, including failure to install the product in strict conformity with local fire and building codes and regulations.
- Ordinary wear and tear, spills of food, liquid, grease accumulations, or other substances that accumulate on, in, or around the Product.
- Any external, elemental and/or environmental forces and factors, including without limitation, rain, wind, sand, floods, fires, mud slides, freezing temperatures, excessive moisture or extended exposure to humidity, lightning, power surges, structural failures surrounding the appliance, and acts of God.

In no event shall Thermador have any liability or responsibility whatsoever for damage to surrounding property, including cabinetry, floors, ceilings, and other structures or objects around the Product. Also excluded from this warranty are Products, on which the serial numbers have been altered, defaced, or removed; service visits to teach you how to use the Product, or visits where there is nothing wrong with the Product; correction of installation problems (you are solely responsible for any structure and setting for the Product, including all electrical, plumbing or other connecting facilities, for proper foundation/flooring, and for any alterations including without limitation cabinetry, walls, floors, shelving, etc.); and resetting of breakers or fuses.

TO THE EXTENT ALLOWED BY LAW, THIS WARRANTY SETS OUT YOUR EXCLUSIVE REMEDIES WITH RESPECT TO PRODUCT, WHETHER THE CLAIM ARISES IN CONTRACTOR OR TORT (INCLUDING STRICT LIABILITY, OR NEGLIGENCE) OR OTHERWISE. THIS WARRANTY IS IN LIEU OF ALL OTHER WARRANTIES, WHETHER EXPRESS OR IMPLIED. ANY WARRANTY IMPLIED BY LAW, WHETHER FOR MERCHANTABILITY OR FITNESS FOR A PARTICULAR PURPOSE, OR OTHERWISE, SHALL BE EFFECTIVE ONLY FOR THE PERIOD THAT THIS EXPRESS LIMITED WARRANTY IS EFFECTIVE. IN NO EVENT WILL THE MANUFACTURER BE LIABLE FOR

CONSEQUENTIAL, SPECIAL, INCIDENTAL, INDIRECT, "BUSINESS LOSS", AND/OR PUNITIVE DAMAGES, LOSSES, OR EXPENSES, INCLUDING WITHOUT LIMITATION TIME AWAY FROM WORK, HOTELS AND/OR RESTAURANT MEALS, REMODELLING EXPENSES IN EXCESS OF DIRECT DAMAGES WHICH ARE DEFINITELY CAUSED EXCLUSIVELY BY THERMADOR, OR OTHERWISE. SOME STATES DO NOT ALLOW THE EXCLUSION OR LIMITATION OF INCIDENTAL OR CONSEQUENTIAL DAMAGES, AND SOME STATES DO NOT ALLOW LIMITATIONS ON HOW LONG AN IMPLIED WARRANTY LASTS, SO THE ABOVE EXCLUSIONS OR LIMITATIONS MAY NOT APPLY TO YOU. THIS WARRANTY GIVES YOU SPECIFIC LEGAL RIGHTS, AND YOU MAY ALSO HAVE OTHER RIGHTS WHICH VARY FROM STATE TO STATE.

No attempt to alter, modify or amend this warranty shall be effective unless authorized in writing by an officer of BSH.

Obtaining warranty service

To obtain warranty service for your Product, you should contact Thermador Customer Service at 1-800-735-4328 to schedule a repair.

Table des matières

CONSIGNES DE SÉCURITÉ IMPORTANTES	34	Rôtir	57
Définitions des termes de sécurité	34	Home Connect®	58
Familiarisez-vous avec votre appareil	39	Configuration de Home Connect	58
Identification extérieure de l'appareil	39	Réglage du démarrage à distance	59
Identification de l'intérieur du four	40	Réglage du contrôle à distance	59
Avant d'utiliser pour la première fois	42	Diagnostics à distance	59
Installation des guides de rack	42	Entretien et maintenance	60
Installation des grilles Full Access®	42	Réglage du four sur l'autonettoyage	60
Installation de grilles plates	42	Nettoyer l'appareil	61
Placement des chapeaux de brûleur	42	Remplacement d'une ampoule de four	61
Vérification de l'emplacement du chapeau de brûleur	43	Dépannage	63
Installation des grilles de brûleur	43	Des informations de service	64
Enregistrez votre produit BSH	43	Connexion au service à la clientèle à distance	64
Utilisation de la table de cuisson	44	Enregistrement de produit	64
Allumer les brûleurs	44	Déclaration de garantie limitée du produit	65
Fonctionnement des brûleurs ExtraLow®	44	Ce que couvre cette garantie et à qui elle s'applique	65
Fonctionnement des brûleurs POWERBOOST®	44	Combien de temps dure la garantie	65
Préparation de la plaque chauffante	44	Réparez / remplacez comme votre recours exclusif	65
Utilisation de la plaque chauffante	44	Produit hors garantie	66
Recommandations pour la cuisinière	45	Exclusions de garantie	66
Recommandations de cuisson du brûleur STAR®	45	Obtention du service de garantie	66
Recommandations de cuisson sur la plaque chauffante	47		
Utilisation du four	48		
Descriptions des modes	48		
Démarrage initiale	49		
Réglages offerts	49		
Assistant Home Connect®	50		
Réglage de la conversion par convection	50		
Réglage du décalage du four	50		
Réglage du mode de cuisson et de la température	51		
Réglage des minuteries	51		
Réglage du préchauffage rapide	52		
Réglage du verrouillage du panneau	52		
Réglage du four pour faire lever	52		
Réglage du mode de maintien au chaud	52		
Programmation de la sonde thermique	52		
Réglage du mode Sabbat	52		
Lancement du démarrage à distance	54		
Recommandations du four	55		
Positions des grilles du four	55		
Cuisson	55		
Gril	55		
Cuisson par convection	56		
Convection véritable	57		
Levage	57		

Cet appareil électroménager de THERMADOR™

est fait par BSH Home Appliances Ltd

6696 Financial Drive , Uit 3

Mississauga, ON L5N 7J6

Des questions?

1-800-735-4328

www.thermador.ca

Nous attendons de vos nouvelles!

⚠️ CONSIGNES DE SÉCURITÉ IMPORTANTES

LIRE ET CONSERVER CES DIRECTIVES

Ce guide d'utilisation et d'entretien explique les principes de base du fonctionnement de votre appareil et les mesures de sécurité à suivre. Pour des informations d'installation complètes et sûres, reportez-vous aux instructions d'installation fournies avec l'appareil.

Tous les manuels des produits peuvent être téléchargés en ligne à l'adresse www.thermador.com/us/support/owner-manuals ou www.thermador.ca/en/support/owner-manuals.

INSTALLATEUR : Prière de laisser ces instructions d'installation avec cet appareil à l'intention du propriétaire.

PROPRIÉTAIRE : Prière de conserver ces consignes pour pouvoir s'y référer ultérieurement. Lisez toutes les consignes de sécurité avant d'utiliser l'appareil. Demandez à l'installateur de vous montrer où se trouvent le disjoncteur électrique et le robinet d'arrêt de l'alimentation en gaz afin que vous sachiez comment et où couper le gaz et l'électricité de l'appareil.

Définitions des termes de sécurité

⚠️ **AVERTISSEMENT** : ceci indique des risques de blessures graves ou mortelles en cas de non-respect de cette mise en garde.

⚠️ **MISE EN GARDE** : ceci indique des risques de blessures mineures ou de gravité moyenne en cas de non-respect de cette mise en garde.

AVIS : Signale un risque de dommage matériel ou de dommage à l'appareil électroménager si l'avis n'est pas respecté.

Remarque : Cette section vous donne des informations et/ou des conseils importants.

AVERTISSEMENT

Ne faites jamais fonctionner la section de cuisson de la surface supérieure de cet appareil sans surveillance

- **Le non-respect de cet avertissement peut entraîner un incendie, une explosion ou un risque de brûlure pouvant entraîner des dommages matériels, des blessures corporelles ou la mort.**
- **En cas d'incendie, éloignez-vous de l'appareil et appelez immédiatement les pompiers. NE TENTEZ PAS D'ÉTEINDRE UN FEU D'HUILE / DE GRAISSE AVEC DE L'EAU.**



AVERTISSEMENT : Si les directives du présent manuel ne sont pas suivies à la lettre, il y a un risque d'incendie ou d'explosion pouvant entraîner des dommages matériels, des blessures ou la mort.

- **NE PAS conserver ou utiliser de l'essence ou d'autres liquides et vapeurs inflammables à proximité de cet appareil ou de tout autre appareil.**
- **QUE FAIRE SI VOUS PERCEVEZ UNE ODEUR DE GAZ**
 - **NE PAS essayer de mettre un appareil électroménager sous tension.**
 - **NE PAS toucher d'interrupteur de courant électrique.**
 - **NE PAS utiliser de téléphone dans l'édifice.**
 - **Communiquer immédiatement avec le fournisseur de gaz depuis l'appareil téléphonique d'un voisin. Respecter les directives du fournisseur de gaz.**
 - **S'il s'avère impossible de joindre le fournisseur de gaz, communiquer avec les pompiers.**
- **Utiliser les services d'un installateur ou d'une agence de réparation qualifiés ou le fournisseur de gaz pour procéder à l'installation et aux réparations.**

AVERTISSEMENT - TOUS LES APPAREILS

- **Bonne installation** - Assurez-vous que l'appareil électroménager est correctement installé et mis à la terre par un technicien qualifié.
- N'utilisez jamais votre appareil pour réchauffer ou chauffer la pièce.
- **Ne laissez pas les enfants seuls** - Les enfants ne doivent pas être laissés seuls ou sans surveillance dans la zone où un appareil est utilisé. Les enfants ne doivent jamais s'asseoir ou rester debout sur une partie quelconque de l'appareil.
- **Portez des vêtements appropriés** - Des vêtements lâches ne doivent jamais être portés lorsqu'on utilise l'appareil.

⚠️ CONSIGNES DE SÉCURITÉ IMPORTANTES

LIRE ET CONSERVER CES DIRECTIVES

AVERTISSEMENT - TOUS LES APPAREILS

- **Entretien par l'utilisateur** - Ne réparez ni ne remplacez aucune pièce de l'appareil à moins que ce ne soit spécifiquement recommandé dans ce manuel. Toute réparation doit être effectuée par un technicien qualifié.
- **Stockage dans ou sur l'appareil** - Les matériaux inflammables ne doivent pas être stockés dans ou à proximité de l'appareil. Pour éliminer les risques de brûlures ou d'incendie causés par l'atteinte des unités de surface chauffées, le stockage en armoire situé au-dessus des unités de surface doit être évité.
- **N'utilisez pas d'eau sur les feux de graisse** - Éteignez le feu ou les flammes ou utilisez un extincteur à poudre ou à mousse.
- **Utiliser seulement des maniques sèches** - Des maniques mouillées ou humides sur des surfaces chaudes peuvent entraîner en brûlures de vapeur. Ne laissez pas la manique toucher les éléments chauffants chauds. N'utilisez pas de serviette ou autre chiffon volumineux.

AVERTISSEMENT - UNITÉS DE CUISSON EN SURFACE

- **Utilisez une casserole de taille appropriée** - Cet appareil peut être équipé de brûleurs de surface de différentes tailles. Sélectionnez des ustensiles dont le fond est plat et suffisamment grand pour couvrir le brûleur de surface. L'emploi d'un plat de cuisson trop petit expose une partie du brûleur au contact direct et peut ainsi provoquer l'inflammation des vêtements. Une bonne relation entre l'ustensile et le brûleur améliorera également l'efficacité.

La taille de la flamme ne doit pas dépasser le bord de l'ustensile de cuisson. Cette instruction est basée sur des considérations de sécurité.

- **Ne laissez jamais les brûleurs de surface sans surveillance à des réglages de chaleur élevés** - Le débordement provoque de la fumée et des débordements graisseux qui peuvent s'enflammer.
- **Le cas échéant, assurez-vous que les plateaux d'égouttage sont en place** - L'absence de ces plateaux pendant la cuisson peut endommager le câblage ou les composants situés en dessous.
- **Revêtements protecteurs** - N'utilisez pas de papier d'aluminium pour recouvrir les fonds du four. Une mauvaise installation de ces revêtements peut entraîner un risque de choc électrique ou d'incendie.
- **Ustensiles de cuisson vitrés** - Seuls certains types de verre, verre/céramique, de céramique, de faïence ou d'autres ustensiles vitrés conviennent à la cuisinière sans se casser en raison du changement soudain de température.

AVERTISSEMENT - UNITÉS DE CUISSON EN SURFACE

- Les poignées d'ustensiles doivent être tournées vers l'intérieur et ne pas s'étendre sur les éléments de surface adjacents - Pour réduire le risque de brûlures, d'inflammation de matériaux inflammables et de déversement dû à un contact involontaire avec l'ustensile, la poignée d'un ustensile doit être positionnée de manière à être tournée vers l'intérieur, et ne s'étend pas sur les unités de surface adjacents.
- Nettoyez la table de cuisson avec précaution - Si une éponge ou un chiffon humide est utilisé pour essuyer les éclaboussures sur une zone de cuisson chaude, veillez à éviter les brûlures de vapeur. Certains nettoyeurs dégagent des fumées nocives lorsqu'ils sont appliqués sur une surface chaude.
- Ne pas tremper les éléments chauffants amovibles - Les éléments chauffants ne doivent jamais être immergés dans l'eau.

AVERTISSEMENT - SURFACES DE CUISSON EN VERRE / CÉRAMIQUE

Ne cuisez pas sur une table de cuisson cassée - Si la table de cuisson se brise, les solutions de nettoyage et les débordements peuvent pénétrer dans la table de cuisson cassée et créer un risque de choc électrique. Contacter immédiatement un technicien qualifié.

AVERTISSEMENT - SURFACES À INDUCTION

Ne placez pas d'objets métalliques tels que des couteaux, des fourchettes, des cuillères et des couvercles sur la surface de cuisson car ils peuvent devenir chauds.

AVERTISSEMENT - FRITEUSES

Soyez extrêmement prudent lors du déplacement d'une bouilloire à graisse ou de l'élimination de la graisse chaude.

AVERTISSEMENT - FOURS

- **Soyez prudent lors de l'ouverture de la porte** - Laissez l'air chaud ou la vapeur s'échapper avant de retirer ou remplacer les aliments.
- **Ne pas chauffer des récipients alimentaires non ouverts** - L'accumulation de pression peut faire éclater le récipient et provoquer des blessures.
- **Gardez les conduits de ventilation du four dégagés.**
- **Placement des grilles du four** - Placez toujours les grilles du four dans l'emplacement pendant que le four est froid. Si la grille doit être déplacée pendant que le four est chaud, ne laissez pas la manique en contact avec l'élément chauffant chaud dans le four.

⚠️ CONSIGNES DE SÉCURITÉ IMPORTANTES

LIRE ET CONSERVER CES DIRECTIVES

AVERTISSEMENT - FOURS AUTO-NETTOYANTS

- Ne nettoyez pas le joint de la porte – le joint de porte est essentiel pour une bonne étanchéité. Veillez à ne pas frotter, endommager ou déplacer le joint.
- N'utilisez pas de revêtement protecteur pour recouvrir le four et n'utilisez pas de nettoyant pour four du commerce à moins d'être certifié pour une utilisation dans un four auto-nettoyant.
- Ne nettoyez que les parties indiquées dans le manuel.
- Ne laissez pas de nourriture ou d'ustensiles de cuisine, etc., dans le four pendant le mode de fonctionnement autonettoyant pyrolytique.
- Veuillez noter que certains animaux domestiques ou humains peuvent être sensibles aux odeurs créées pendant le processus d'auto-nettoyage, qu'il s'agisse de résidus de fabrication brûlés ou d'aliments. Il est recommandé que les personnes potentiellement affectées soient retirées de la cuisine pendant le processus d'auto-nettoyage.

AVERTISSEMENT - HOTTES DE VENTILATION

- **Nettoyez fréquemment les hottes de ventilation** - La graisse ne devrait pas s'accumuler sur le ventilateur ou le filtre.
- Cet appareil ne doit pas être installé avec un système de ventilation qui dirige l'air vers le bas en direction de l'appareil. Ce type de système de ventilation peut causer des problèmes d'allumage et de combustion avec l'appareil, entraînant des blessures corporelles, des dommages matériels ou un fonctionnement involontaire. Les systèmes de ventilation qui dirigent l'air vers le haut ne présentent aucune restriction. Un rideau d'air ou une hotte au-dessus la cuisinière,, dont le débit d'air est orienté vers le bas en direction de la cuisinière, ne peut pas être utilisé avec une cuisinière au gaz à moins que la hotte et la cuisinière ne soient conçues et testées en conformité à la norme ANSI Z21.1 • CSA 1.1, Cuisinières à gaz domestiques, et classées par un laboratoire d'essai indépendant pour une utilisation conjuguée.
- Lorsque vous brûlez des aliments sous la hotte, allumez le ventilateur.

AVERTISSEMENT

NE couvrez JAMAIS les fentes, les orifices ou les canaux de la sole du four, ni ne couvrez toute une grille avec une matière comme du papier d'aluminium. Une telle couverture bloque le débit d'air dans le four et pourrait entraîner une intoxication par monoxyde de carbone. Utiliser une feuille de papier aluminium pourrait également emprisonner la chaleur, entraînant un risque d'incendie.

AVERTISSEMENT - EN CAS DE PANNE ÉLECTRIQUE



Si un bouton de commande de gaz est sur ON (EN MARCHÉ) et qu'il n'y a pas d'alimentation électrique pour faire fonctionner les allumeurs électroniques sur les brûleurs, éteignez le bouton de commande de gaz et attendez 5 minutes que le gaz se dissipe avant d'allumer le brûleur manuellement.

Pour allumer les brûleurs manuellement, tenez soigneusement une allumette allumée sur les orifices du brûleur et tournez le bouton de commande du gaz sur HI (ÉLEVÉ). Lors d'une panne de courant, vous pouvez utiliser les brûleurs standard, mais chacun doit être allumé avec une allumette.

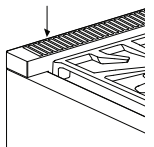
N'essayez pas d'allumer un brûleur XLO® manuellement. Ces brûleurs sont équipés de la fonction ExtraLow® et ne peuvent pas être allumés manuellement.

MISE EN GARDE

Ne jamais ranger des articles d'intérêt pour les enfants dans un appareil électroménager ou dans les armoires au-dessus de l'appareil. Les enfants peuvent grimper sur l'appareil pour atteindre ces objets et se blesser sérieusement.

AVERTISSEMENT - DÉBIT D'AIR

- Ne bloquez pas ou n'obstruez pas la circulation de l'air à travers les ouvertures de ventilation. L'évent est situé à l'arrière de l'appareil. L'évent doit être dégagé et ouvert pour fournir le flux d'air nécessaire qui est important pour une performance adéquate.
- Ne touchez pas la zone de ventilation lorsque l'appareil est en marche et pendant plusieurs minutes après que l'appareil est éteint. Certaines parties de l'évent et les zones environnantes deviennent suffisamment chaudes pour provoquer des brûlures. Laissez à l'appareil le temps de refroidir avant de toucher ou de nettoyer les zones de ventilation.
- Ne placez pas de plastique ou d'autres objets sensibles à la chaleur sur ou à proximité de l'évent. Ces articles pourraient fondre ou s'enflammer.
- Pour assurer une ventilation adéquate de la cuisinière, ne retirez pas les pieds de la cuisinière.



Ne laissez pas les sondes à viande ou autres ustensiles entrer en contact avec les éléments chauffants.

N'utilisez pas l'accessoire de plaque de gril pour cuire des viandes trop grasses ou des produits favorisant les poussées.

⚠️ CONSIGNES DE SÉCURITÉ IMPORTANTES

LIRE ET CONSERVER CES DIRECTIVES

Lors de la cuisson d'aliments gras ou huileux sur les brûleurs, le gril ou la plaque chauffante, les brûleurs à gaz adjacents peuvent enflammer les vapeurs en suspension dans l'air. Soyez prudent pour éviter les brûlures.



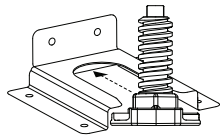
IMPORTANT : Il est possible que la paroi arrière se décolore sous certaines conditions de cuisson.

NE PAS entreposer ni utiliser de produits chimiques corrosifs, des vapeurs, des matériaux inflammables ou des produits non alimentaires près ou dans cet appareil électroménager. Cet appareil est spécialement conçu pour chauffer ou cuire la nourriture. L'emploi de produits chimiques corrosifs pendant la cuisson ou le nettoyage endommagera l'appareil et pourrait causer des blessures.

NE TOUCHEZ PAS LES UNITÉS DE SURFACE OU LES ZONES À PROXIMITÉ DES UNITÉS - Les unités de surface peuvent être chaudes même si elles sont de couleur foncée. Les zones à proximité des éléments peuvent devenir suffisamment chaudes pour causer des brûlures. Pendant et après l'utilisation, éviter de toucher ou de laisser des vêtements ou d'autres tissus inflammables entrer en contact avec les éléments de surface ou à proximité des éléments de surface, jusqu'à ce que ceux-ci aient le temps de refroidir. Ces zones comprennent la table de cuisson et les surfaces situées face à la table de cuisson.

NE PAS TOUCHER LES ÉLÉMENTS CHAUFFANTS OU LES SURFACES INTÉRIEURES DU FOUR - Les éléments chauffants peuvent être chauds même s'ils sont de couleur sombre. Les parois intérieures d'un four peuvent devenir suffisamment chaudes pour provoquer des brûlures. Pendant et après l'utilisation, ne touchez pas et ne laissez pas les vêtements ou autres matériaux inflammables entrer en contact avec les éléments chauffants ou les surfaces intérieures du four avant d'avoir suffisamment de temps pour refroidir. D'autres surfaces de l'appareil peuvent devenir suffisamment chaudes pour causer des brûlures - parmi ces surfaces se trouvent les ouvertures de ventilation du four et les surfaces proches de ces ouvertures, les portes du four et les fenêtres des portes du four.

AVERTISSEMENT - DANGER DE BASCULEMENT SUR LES CUISINIÈRES

- Toutes les cuisinières peuvent basculer et entraîner des blessures. Pour éviter tout basculement accidentel de la cuisinière, fixez-la au sol, au mur ou à l'armoire en installant le support anti-basculement fourni. 
- Un enfant ou un adulte peut faire basculer la cuisinière et être tué ou gravement blessé. Vérifiez que le support antibasculement est correctement installé. Assurez-vous que le support anti-basculement est engagé lorsque la cuisinière est déplacée. 
- **NE PAS** faire fonctionner la cuisinière si le support anti-basculement n'est pas en place. Non-respect des instructions de ce manuel peut entraîner la mort ou des brûlures graves pour les enfants et les adultes. 
- Si la cuisinière est éloignée du mur pour le nettoyage, l'entretien ou toute autre raison, assurez-vous que le support anti-basculement est correctement ré-engagé lorsque la cuisinière est repoussée contre le mur. En cas d'utilisation anormale (telle qu'une personne debout, assise ou appuyée sur une porte ouverte), le non-respect de cette précaution peut entraîner le basculement de la cuisinière. Des blessures peuvent résulter du déversement de liquides chauds ou de la cuisinière elle-même.
- Vérifiez que le support anti-basculement est correctement installé et utilisé. Inclinez délicatement la cuisinière vers l'avant de l'arrière pour s'assurer que le support anti-basculer s'engage dans la patte de la cuisinière et empêche le renversement. La cuisinière ne doit pas se déplacer de plus de 1 po (2,5 cm).

EXIGENCES ET NORMES

- L'électroménager doit être mis à la terre en conformité aux codes locaux, ou en l'absence de tels codes, au National Electric Code NFPA 70 ou, au Canada, au code canadien de l'électricité CSA C22.1.
- L'installation doit être conforme aux codes locaux ou, en l'absence de tels codes, au National Fuel Gas Code ANSI Z223.1/NFPA 54 ou, au Canada, au code national CSA B149.1 d'installation du gaz naturel et du propane.

⚠️ CONSIGNES DE SÉCURITÉ IMPORTANTES

LIRE ET CONSERVER CES DIRECTIVES

- L'installation d'appareils conçus pour une installation dans des maisons préfabriquées (mobiles) doit être conforme à la Norme de sécurité et de construction de maisons préfabriquées, Titre 24 CFR, Partie 3280 [anciennement la Norme fédérale pour la construction et la sécurité des maisons mobiles, Titre 24, HUD {Partie 280}] ou avec les codes locaux le cas échéant.
- L'installation d'appareils conçus pour les remorques de parcs de loisirs doit être conforme aux codes d'état ou à d'autres codes ou, en l'absence de tels codes, à la norme pour les remorques de parcs de loisirs, ANSI A119.5.
- Voir les instructions d'installation pour les exigences électriques, les instructions de mise à la terre et le dégagement aux exigences en matière de matériaux combustibles.
- L'entretien ne doit être effectué que par un réparateur agréé.
- Il incombe au propriétaire et à l'installateur de déterminer si des exigences et/ou normes supplémentaires s'appliquent pour des installations spécifiques.

EXIGENCES EN GAZ

Gaz naturel w.c.

Minimum	7 po (17,4 mbar)
Maximum	14 po (34,9 mbar)

Gaz propane w.c.

Minimum	11 po (27,4 mbar)
Maximum	14 po (34,9 mbar)

- Une soupape manuelle doit être installée dans un endroit accessible dans la tuyauterie de gaz externe à l'appareil afin d'allumer ou de couper le gaz à l'appareil.
- Dans le cas où un brûleur s'éteint et du gaz s'échappe, ouvrez une fenêtre ou une porte. N'essayez PAS d'utiliser l'appareil tant que le gaz n'a pas eu le temps de se dissiper. Attendez au moins 5 minutes avant d'utiliser l'appareil.
- Pour les installations au Massachusetts :
 - L'installation doit être exécutée par un entrepreneur, un plombier ou un ajusteur d'appareils à gaz qualifié ou autorisé par l'État, la province ou la région d'installation de cet électroménager.
 - Le robinet d'arrêt doit être robinet à gaz avec poignées en T.
 - Le connecteur à gaz souple ne doit pas dépasser 36 pouces (914 mm).

- La profondeur maximale des armoires installées au-dessus de la surface de cuisson doit être de 13 po (330 mm).

APPAREILS INTELLIGENTS - FONCTIONNEMENT À DISTANCE

Cet appareil peut être configurable pour permettre un fonctionnement à distance à tout moment. Ne pas ranger de matières inflammables ou d'articles sensibles à la chaleur à l'intérieur, sur le dessus ou près de la surface de l'appareil.

AVERTISSEMENT SUR LA PROPOSITION 65

Ce produit pourrait contenir un produit chimique reconnu par l'État de la Californie comme cancérigène ou ayant des effets nocifs sur la reproduction. Par conséquent, vous pourriez devoir apposer l'étiquette suivante sur l'emballage du produit comme requis par la Californie :

Avertissement sur la proposition 65 de l'État de Californie:

⚠️ **AVERTISSEMENT**

Cancérigène et effets nocifs sur la reproduction -
www.P65Warnings.ca.gov

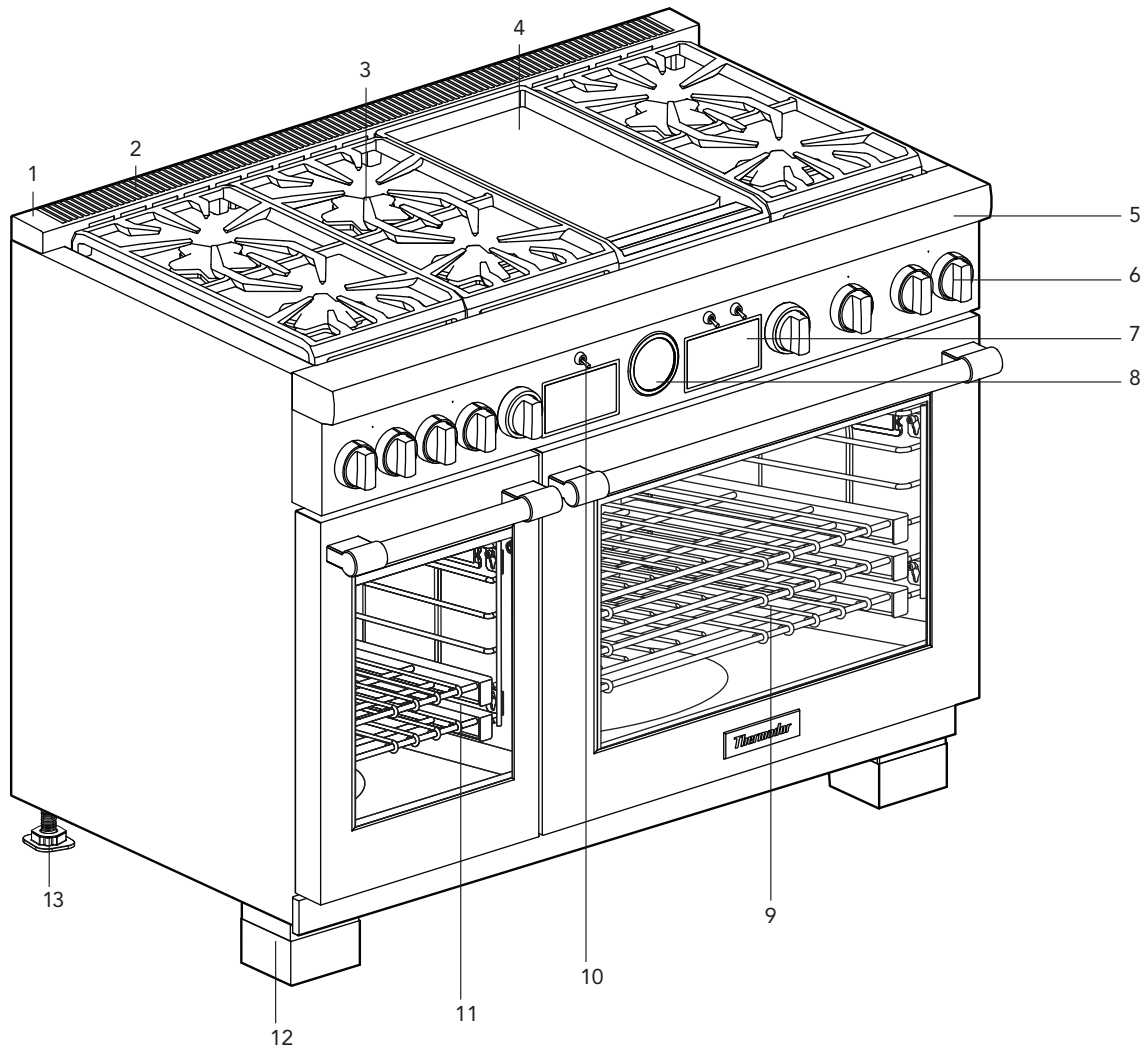
Élimination de l'emballage

Les matériaux d'emballage sont compatibles avec l'environnement et peuvent être recyclés. Triez les composants individuels par type et éliminez-les séparément. Des informations sur les méthodes d'élimination actuelles peuvent être obtenues auprès de votre revendeur spécialisé ou des autorités locales.

Familiarisez-vous avec votre appareil

Ce guide d'utilisation et d'entretien couvre plusieurs modèles. Votre modèle peut en avoir, mais pas toutes les fonctionnalités ou tous les affichages répertoriés. Tous graphiques sont représentatifs. L'apparence et les fonctionnalités de votre appareil peuvent varier.

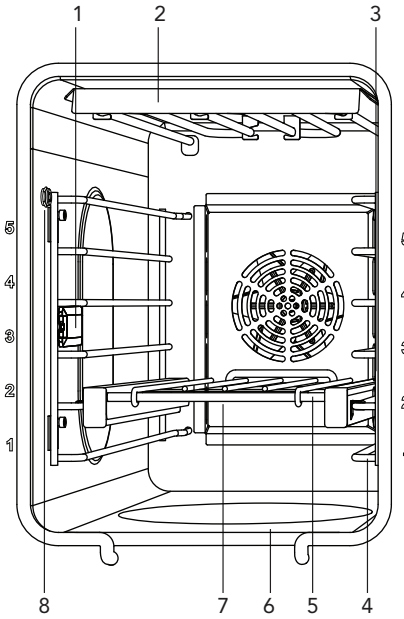
Identification extérieure de l'appareil



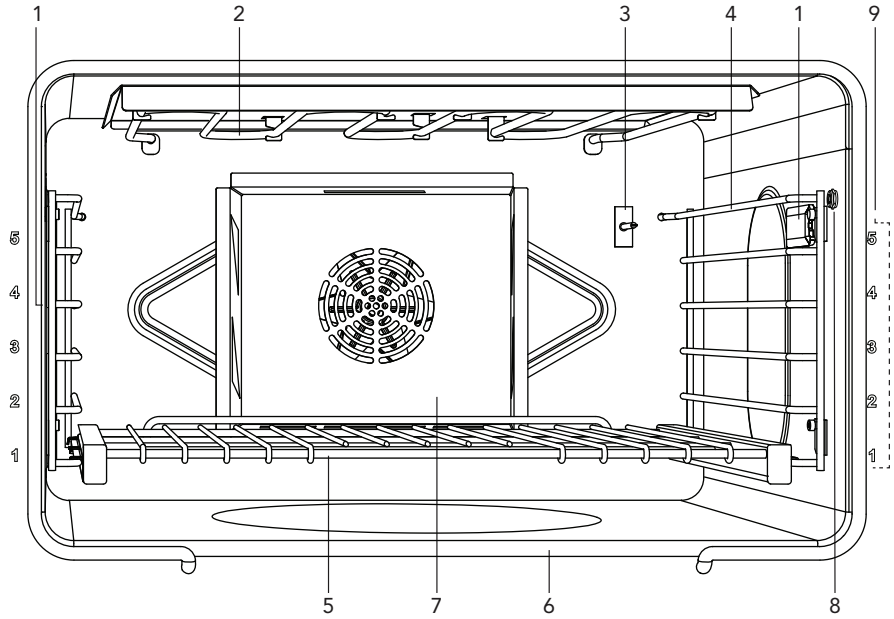
- 1 Garniture d'îlot incluse ou protection arrière basse commandée séparément (voir les instructions d'installation concernant l'espacement derrière la cuisinière lors de l'utilisation de la cuisinière avec la garniture d'îlot.)
- 2 Évent du four (NE PAS obstruer!)
- 3 Brûleurs et grilles STAR®
- 4 Option de plaque chauffante (les options varient)
- 5 Panneau de commande
- 6 Boutons de commande
- 7 Écran du four
- 8 Jauge de température
- 9 Four principal
- 10 Interrupteur de la lumière
- 11 Four auxiliaire secondaire
- 12 Couvre-pattes (modèles Pro Grand uniquement. Si des couvre-pattes supplémentaires sont nécessaires, ils peuvent être commandés auprès du service à la clientèle en appelant le 1-800-735-4328 sans frais pendant un an après la date d'achat de l'appareil.)
- 13 Pieds de la cuisinière (Ne pas retirer!)

Identification de l'intérieur du four

Intérieur du (des) four (s) bi-énergie

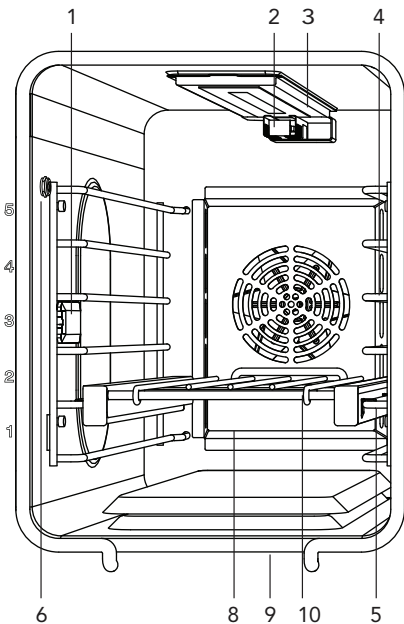


- 1 Éclairage intérieur du four
- 2 Élément de grill
- 3 Thermostat four
- 4 Guides de grille
- 5 Grilles de four

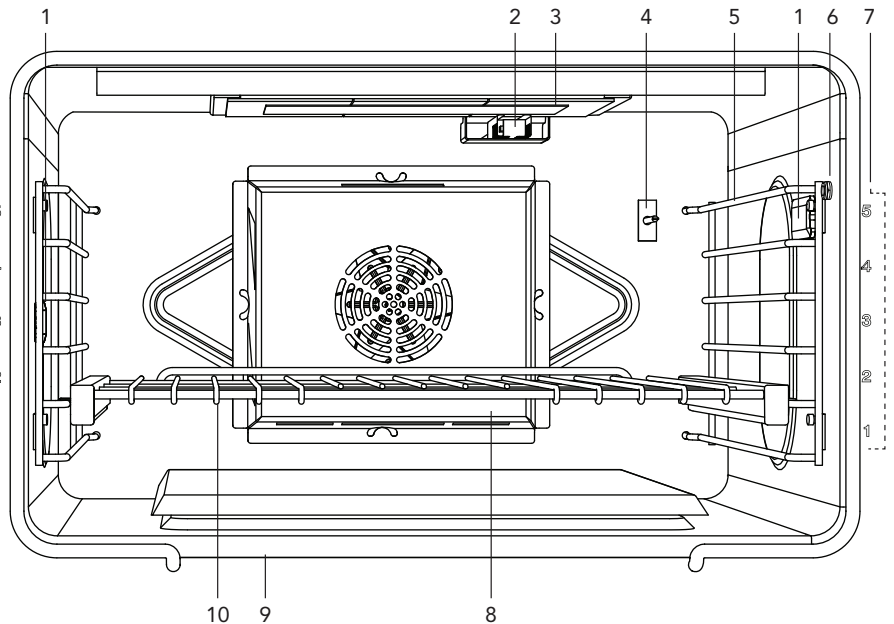


- 6 Élément de cuisson (caché)
- 7 Couverture du ventilateur de convection
- 8 Sortie de la sonde de viande
- 9 Positions des grilles

Intérieur du (des) four (s) à gaz



- 1 Éclairage intérieur du four
- 2 Allumeur de grill
- 3 Brûleur de grill infrarouge
- 4 Thermostat four
- 5 Guides de grille



- 6 Sortie de la sonde de viande
- 7 Positions des grilles
- 8 Couverture du ventilateur de convection
- 9 Brûleur de cuisson (caché)
- 10 Grilles de four

Fonctionnement automatique du ventilateur de refroidissement

Le ventilateur de refroidissement est en marche dans tous les modes de cuisson. Lorsque le four est en marche, le ventilateur est audible et l'air chaud peut être ressenti par la ventilation du four. Il se peut également que le ventilateur continue de tourner après que le four a été éteint.

Évent du four

L'évent de four se trouve à l'arrière de l'unité. De l'air chaud peut être évacué de l'évent avant, pendant et après la cuisson. Il est normal de voir de la vapeur s'échapper de l'évent, et de la condensation pourrait s'accumuler dans cette zone. Cette zone peut être chaude lorsque le four fonctionne. Ne bloquez pas l'évent car il est important pour la circulation d'air.

Ventilateur de convection

Le ventilateur de convection fonctionne pendant tous les modes de convection. Lorsque le four fonctionne en mode convection, le ventilateur s'éteint automatiquement lorsque la porte est ouverte. Le ventilateur de convection peut également fonctionner pendant l'autonettoyage.

Indicateur de température

La jauge de température commencera à se déplacer vers le réglage de température. La jauge de température reflète le réglage de la température et non la température réelle du four.

L'aiguille de la jauge de température passera au nouveau réglage de température sélectionné si le réglage de température est augmenté ou diminué. La jauge est pour référence seulement.

Avant d'utiliser pour la première fois

Les graphiques sont représentatifs. Votre appareil peut avoir différentes apparences.

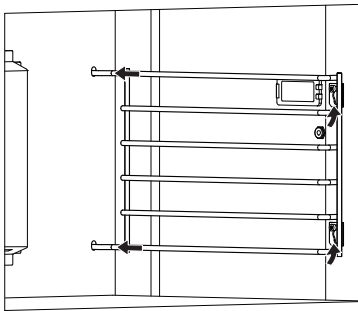
⚠ AVERTISSEMENT

Pour éviter les brûlures, ne retirez ou ne repositionnez jamais les grilles du four lorsque le four est en marche ou pendant que le four refroidit.

IMPORTANT– Retirez toujours les grilles du four avant d'autonettoyer le four. Si les grilles de glissement restent dans le four pendant l'autonettoyage, les lubrifiants dans les mécanismes de glissement de chaque grille seront perdus et la finition se décolore.

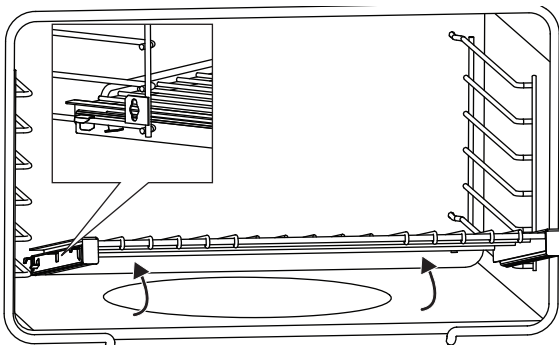
Installation des guides de rack

1. Poussez les deux rails dans les trous à l'arrière de la cavité du four.
2. Faites glisser les fentes de clé du guide sur les boulons à épaulement.
3. À l'avant de la cavité du four, appuyez sur l'avant du guide de grille pour dégager les têtes des deux boulons à épaulement.



Installation des grilles Full Access®

1. Tenez la grille légèrement inclinée et placez les crochets de sécurité sous l'avant des guides de la grille.

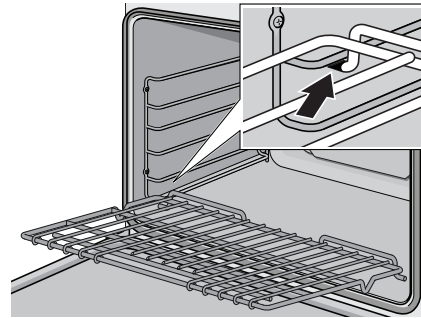


2. Poussez la grille dans le four, en soulevant les butées de la grille sur l'avant des guides de la grille.
3. Tenez la grille droite.
4. Enfoncez complètement la grille.

5. Engagez les crochets avant de la grille sur les guides de la grille.

Installation de grilles plates

1. Saisissez fermement la grille des deux côtés et insérez la grille.
2. Inclinez la grille vers le haut pour engager la butée dans la glissière.



Démarrage du four

Avant la cuisson ou la cuisson au grill, le four et le grill doivent être allumés pour brûler les huiles de fabrication en utilisant l'une des deux méthodes suivantes :

1. Allumez la ventilation de la cuisine (ou si la hotte de ventilation est de type à recirculation, ouvrez une fenêtre).
2. Allumez le four à 450 °F (230 °C) pendant 20 à 30 minutes; puis faites griller le grill pendant la même durée.

ou

1. Allumez la ventilation de la cuisine (ou si la hotte de ventilation est de type à recirculation, ouvrez une fenêtre).
2. Retirez les grilles du four.
3. Réglez le four sur l'autonettoyage (certains modèles).

Placement des chapeaux de brûleur

⚠ AVERTISSEMENT

Pour éviter les flambées et la création de sous-produits nocifs, n'utilisez pas la table de cuisson sans tous les chapeaux de brûleur et toutes les grilles de brûleur correctement positionnées.

⚠ AVERTISSEMENT

Pour éviter les brûlures, ne pas toucher aux chapeaux de brûleur ni aux grilles quand ils sont chauds. Éteignez la cuisinière et laissez les brûleurs refroidir.

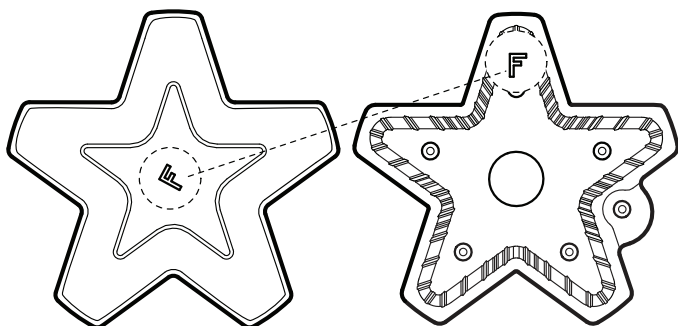
Les chapeaux des brûleurs doivent être correctement placés sur les bases des brûleurs pour que la table de cuisson fonctionne correctement.

Un ou plusieurs problèmes peuvent survenir si un chapeau de brûleur n'est pas bien positionné :

- La flamme du brûleur est trop élevée.
- Des flammes jaillissent des brûleurs.
- Les brûleurs ne s'allument pas.
- La flamme du brûleur n'est pas uniforme.
- Une odeur de gaz se dégage du brûleur.

Une lettre (B, D ou F) est moulée sous chacun des chapeaux de brûleur et correspond à une lettre moulée dans la base du brûleur (B, D ou F) fixée à l'appareil électroménager.

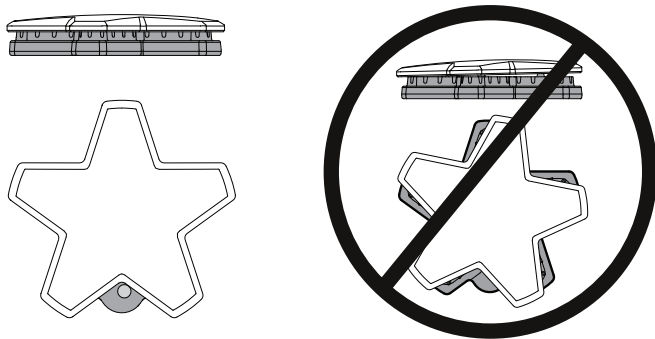
1. Déposer chaque chapeau de brûleur sur sa base correspondante selon la lettre moulée.



2. Déposer délicatement le chapeau de brûleur sur le dessus de la base de sorte que les pattes de la base soient bien ajustées dans la goulotte du chapeau du brûleur.

Vérification de l'emplacement du chapeau de brûleur

- Vérifiez chaque brûleur pour vous assurer qu'il n'y a pas d'espace entre le chapeau du brûleur et la base du brûleur.
- Vous pouvez doucement essayer de déplacer les chapeaux de brûleur d'un côté à l'autre pour vérifier si les chapeaux sont correctement placés sur les bases des brûleurs.
- Lorsqu'il est correctement placé, chaque chapeau de brûleur reposera à plat sur le dessus de sa base de brûleur et couvrira complètement la forme en étoile de la base du brûleur vu du dessus, comme illustré ci-dessous.



Rallumage automatique

Chaque brûleur a son propre allumeur électronique qui produit des étincelles lorsque le brûleur est allumé. Chaque brûleur doit s'allumer en quatre secondes ou moins. Si un brûleur ne s'allume pas, vérifiez que le capuchon est correctement positionné sur la base.

Si un ou plusieurs brûleurs sautent, l'allumeur électronique s'active automatiquement pour rallumer la flamme. Ne touchez pas les brûleurs lorsque les allumeurs sont actifs.

Pour la vérification de la hauteur de la flamme et les instructions de réglage, reportez-vous aux instructions d'installation fournies avec l'appareil.

Installation des grilles de brûleur

1. Placez les grilles côté plat vers le bas et alignez-les dans le renforcement de la table de cuisson.
2. Les grilles doivent reposer les unes contre les autres et contre les côtés de l'évidement.

IMPORTANT

- Pour une combustion correcte, n'utilisez pas la table de cuisson sans les grilles du brûleur en place.
- Il y a un léger bruit associé à la combustion et à l'allumage du gaz. C'est une condition normale.

Panne de courant

⚠ AVERTISSEMENT

En cas de panne de courant, tournez tous les boutons en position OFF (ARRÊT). Seuls les brûleurs normaux du haut peuvent être allumés manuellement.

Reportez-vous aux instructions EN CAS DE PANNE ÉLECTRIQUE répertoriées dans les INSTRUCTIONS DE SÉCURITÉ IMPORTANTES.

Enregistrez votre produit BSH

Enregistrez le produit BSH pour assurer une réparation en temps opportun et avoir accès à l'information liée au produit. Pour obtenir des informations sur l'enregistrement du produit, reportez-vous à « Avant d'appeler le service technique ».

Utilisation de la table de cuisson

Ce guide d'utilisation et d'entretien couvre plusieurs modèles. Votre modèle peut en avoir, mais pas toutes les fonctionnalités répertoriés.

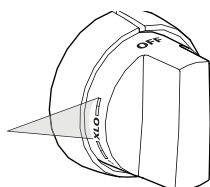
Allumer les brûleurs

⚠ MISE EN GARDE

NE TOUCHEZ PAS les brûleurs lorsque les allumeurs sont actifs.

1. Appuyez sur le bouton et tournez-le dans le sens antihoraire HI (ÉLEVÉ).
2. Tournez le bouton sur n'importe quel réglage de flamme entre HI (ÉLEVÉ) et LO (BAS).

Fonctionnement des brûleurs ExtraLow®



Le dessin montre que le bouton de commande a une plage supplémentaire après le réglage XLO. Lorsque le bouton est réglé dans cette plage, la flamme s'éteint puis s'allume.

- XLO, le réglage le plus bas, est obtenu en allumant la flamme pendant environ 10 secondes et en l'éteignant pendant 50 secondes de chaque minute.
- Lorsque le bouton est placé juste en dessous du réglage XLO, la flamme s'allumera pendant environ 50 secondes et s'éteindra pendant 10 secondes de chaque minute.
- Pour faire varier la quantité de chaleur basse en fonction de l'aliment et de la quantité, la commande peut être réglée n'importe où dans la plage XLO indiquée sur le bouton.

Fonctionnement des brûleurs POWERBOOST®

Le POWERBOOST, ou XHI, offre la commodité de faire bouillir rapidement de l'eau, de saisir des steaks, de faire sauter des légumes, etc. L'utilisation de LO et XLO reste la même que les autres boutons XLO.

Préparation de la plaque chauffante

⚠ AVERTISSEMENT

Pour éviter tout risque de blessure, n'utilisez jamais la plaque chauffante sans la plaque chauffante installée.

1. Vérifiez le réglage de la plaque chauffante en versant deux cuillères à soupe d'eau à l'arrière de la plaque chauffante.
2. Si l'eau ne coule pas vers l'avant de la plaque chauffante, déplacez la plaque chauffante sur le côté.
3. Ajustez les deux vis sous l'arrière de la plaque. Commencez par un demi-tour dans le sens antihoraire des vis.
4. Un autre réglage doit être effectué d'un quart de tour jusqu'à ce que l'eau s'écoule lentement dans le bac à graisse.

IMPORTANT :

- NE JAMAIS inonder une plaque chauffante chaude avec de l'eau froide. Cela peut endommager la plaque chauffante.
- NE nettoyez PAS la plaque chauffante dans un four autonettoyant.
- Ne faites PAS chauffer d'ustensiles de cuisson sur la plaque à griller.
- Des précautions doivent être prises pour éviter de rayer ou de creuser la surface.
- La plaque de cuisson passe au lave-vaisselle, cependant, il est recommandé de laver la plaque à la main.
- Le bac à graisse va au lave-vaisselle.
- Nettoyez le bac à graisse après chaque utilisation. Lorsque vous retirez le plateau, faites attention en le basculant afin que le contenu ne se renverse pas.

Utilisation de la plaque chauffante

1. Appuyez et tournez le bouton de la plaque chauffante dans le sens des aiguilles d'une montre jusqu'à la température désirée.
2. Préchauffez la plaque chauffante.
3. Ajouter du beurre, de la margarine, de l'huile ou du shortening si désiré.

Recommandations pour la cuisinière

Recommandations de cuisson du brûleur STAR®

Nourriture	Démarrer le réglage	Terminer le réglage brûleurs standards	Terminer le réglage des brûleurs XLO®
Boissons Cacao	MED (MOYEN) - chauffer le lait, couvrir	LO (BAS) - chauffage de finition	XLO (EXTRA BAS) - garder au chaud, couvrir
Pains Pain doré, crêpes, sandwichs grillés	MED (MOYEN) - préchauffer la poêle	LO (BAS) à MED (MOYEN) - cuisiner	LO (BAS) à MED (MOYEN) - cuisiner
Beurre Fondre	LO (BAS) - pour commencer à fondre		Laisser 5 à 10 minutes pour fondre
Céréales Semoule de maïs, gruau de maïs, gruau	HI (ÉLEVÉ) - couvrir, porter l'eau à ébullition, ajouter les céréales	LO (BAS) à MED (MOYEN) - terminer la cuisson selon les instructions sur l'emballage	Idem que pour les brûleurs standard XLO (EXTRA BAS) - tenir, couvrir
Chocolat Fondre	XLO (EXTRA BAS) - peut être agité pour accélérer la fusion		XLO (EXTRA BAS) - laisser fondre 10 à 15 minutes XLO (EXTRA BAS) - maintenir
Desserts Friandise	LO (BAS) à MED (MOYEN) - cuisiner selon la recette	LO (BAS) à MED (MOYEN)	LO (BAS) à MED (MOYEN)
Mélange pour garniture pour pouding et tarte	LO (BAS) à MED LO (MOYEN BAS) - cuire selon les instructions sur l'emballage	LO (BAS)	LO (BAS)
Pouding	LO (BAS) à MED LO (MOYEN BAS) - porter le lait à ébullition	LO (BAS)	LO (BAS)
Œufs Cuits en coquille	MED HI (MOYEN ÉLEVÉ) - couvrir les œufs d'eau, ajouter le couvercle, porter à ébullition		
Frit, brouillé	LO (BAS) à MED (MOYEN) - faire fondre le beurre, ajouter les œufs	LO (BAS) terminer la cuisson	Idem que pour les brûleurs standard XLO (EXTRA BAS) - à conserver pendant une courte période
Pochés	XLO (EXTRA BAS) - à tenir pendant une courte période HI (ÉLEVÉ) - porter l'eau à ébullition, ajouter les œufs	LO (BAS) à MED (MOYEN) - finition du chauffage	LO (BAS) à MED (MOYEN) - finition du chauffage
Viande, poisson, volaille bacon, galettes de saucisses	MED HI (MOYEN ÉLEVÉ) - jusqu'à ce que la viande commence à grésiller	LO (BAS) à MED (MOYEN) - terminer la cuisson	LO (BAS) à MED (MOYEN) - terminer la cuisson
Braiser : steak suisse, rôti, ragoût de viande	MED HI (MOYEN ÉLEVÉ) - faire fondre la graisse, puis faire dorer à MED HI (MOYEN ÉLEVÉ), ajouter du liquide, couvrir		XLO (EXTRA BAS) - Laisser mijoter jusqu'à tendreté
Friture rapide : steaks de déjeuner	MED HI (MOYEN ÉLEVÉ) - préchauffer la poêle	MED HI (MOYEN ÉLEVÉ) - faire frire rapidement	MED HI (MOYEN ÉLEVÉ) - faire frire rapidement
Friture : poulet	MED HI (MOYEN ÉLEVÉ) - chauffer l'huile, puis faire dorer sur MED (MOYEN)	LO (BAS) - couvrir, terminer la cuisson	LO (BAS) - couvrir, terminer la cuisson

Nourriture	Démarrer le réglage	Terminer le réglage brûleurs standards	Terminer le réglage des brûleurs XLO®
Friture : crevettes	MED HI (MOYEN ÉLEVÉ) - chauffer l'huile	MED (MOYEN) à MED HI (MOYEN ÉLEVÉ) - pour maintenir la température	MED (MOYEN) à MED HI (MOYEN ÉLEVÉ) - pour maintenir la température
Poêle à frire : côtelettes d'agneau, steaks fins, hamburgers, saucisse de liaison	MED HI (MOYEN ÉLEVÉ) - préchauffer la poêle	MED (MOYEN) - viande brune	Idem que pour les brûleurs standard XLO (EXTRA BAS) - maintenir
Pochage : Poulet, entier ou en morceaux, poisson	MED HI (MOYEN ÉLEVÉ) - Couvrir, porter les liquides à ébullition		Pour terminer la cuisson
Mijotage : Poulet ragoût, boeuf salé, langue, etc.	HI (ÉLEVÉ) - couvrir, porter le liquide à ébullition		XLO (EXTRA BAS) - à mijoter lentement XLO (EXTRA BAS) - tenir, couvrir
Pâtes Macaroni, nouilles, spaghettis	HI (MOYEN) - porter l'eau à ébullition, ajouter les pâtes	MED HI (MOYEN ÉLEVÉ) à HI (ÉLEVÉ) - pour maintenir une ébullition continue	MED HI (MOYEN ÉLEVÉ) à HI (ÉLEVÉ) - pour maintenir une ébullition continue
Maïs soufflé (utilisez une casserole à fond plat épais)	HI (ÉLEVÉ) - couvrir, chauffer jusqu'à ce que les grains commencent à éclater	MED HI (MOYEN ÉLEVÉ) - finition de l'éclatement	MED HI (MOYEN ÉLEVÉ) - finition de l'éclatement
Cuiseur à pression Viande	MED HI (MOYEN ÉLEVÉ) à HI (ÉLEVÉ) - faire monter la pression	LO (BAS) à MED (MOYEN) - maintenir la pression	LO (BAS) à MED (MOYEN) - maintenir la pression
Légumes	HI (ÉLEVÉ) - faire monter en pression	LO (BAS) à MED (MOYEN) - maintenir la pression	LO (BAS) à MED (MOYEN) - maintenir la pression
Riz	HI (ÉLEVÉ) - couvrir, porter l'eau et le riz à ébullition	LO (BAS) - pour maintenir une ébullition basse. Couvrir et cuire jusqu'à ce que l'eau soit absorbée	Idem que pour les brûleurs standard XLO (EXTRA BAS) - tenir, couvrir
Sauces Base de tomate	MED HI (MOYEN ÉLEVÉ) - cuire la viande / les légumes, suivre la recette	LO (BAS) - pour maintenir le mijotage	XLO (EXTRA BAS) - laisser mijoter pour épaissir la sauce, à découvert
Crème blanche, béarnaise	MED (MOYEN) - faire fondre la graisse, suivre la recette	LO (BAS) - terminer la cuisson	XLO (EXTRA BAS) - maintenir, couvrir
Hollandaise	XLO (EXTRA BAS)		XLO (EXTRA BAS) - pour maintenir, le réglage le plus bas pendant une courte période, remuer fréquemment
Soupes, bouillon	HI (ÉLEVÉ) - couvrir, porter le liquide à ébullition	LO (BAS) pour maintenir le mijotage	Mijotage XLO (EXTRA BAS) - maintenir, couvrir
Légumes Frais	HI (ÉLEVÉ) - couvrir, porter l'eau et les légumes à ébullition	LO (BAS) à MED (MOYEN) - cuire 10 minutes, ou jusqu'à tendreté	Idem que pour les brûleurs standard XLO (EXTRA BAS) - tenir, couvrir
Congelé	HI (ÉLEVÉ) - couvrir, porter l'eau et les légumes à ébullition	LO (BAS) à MED (MOYEN) - cuire selon les instructions sur l'emballage	LO (BAS) à MED (MOYEN) - cuire selon les instructions sur l'emballage
Grande friture	HI (ÉLEVÉ) - chauffer l'huile	MED (MOYEN) à MED HI (MOYEN ÉLEVÉ) - pour maintenir la température de friture	MED (MOYEN) à MED HI (MOYEN ÉLEVÉ) - pour maintenir la température de friture

Nourriture	Démarrer le réglage	Terminer le réglage brûleurs standards	Terminer le réglage des brûleurs XLO®
En poche	HI (ÉLEVÉ) - porter l'eau et la poche à ébullition	LO (BAS) à MED (MOYEN) - cuire selon les instructions sur l'emballage	LO (BAS) à MED (MOYEN) - cuire selon les instructions sur l'emballage
Sauté	HI (ÉLEVÉ) - chauffer l'huile ou faire fondre le beurre, ajouter les légumes	LO (BAS) à MED (MOYEN) - cuire à la cuisson désirée	LO (BAS) à MED (MOYEN) - cuire à la cuisson désirée
Sauté	HI (ÉLEVÉ) - chauffer l'huile, ajouter les légumes	HI (ÉLEVÉ) à MED HI (MOYEN ÉLEVÉ) - terminer la cuisson	HI (ÉLEVÉ) à MED HI (MOYEN ÉLEVÉ) - terminer la cuisson

Recommandations de cuisson sur la plaque chauffante

Nourriture*	Plaque de cuisson de 12 po	Plaque de cuisson de 24 po
Bacon, galettes à la saucisse	Élevé	Moyen-élevé
Hamburgers	Élevé	Élevé
Bifteck de surlonge	Élevé	Élevé
Côtelettes de porc	Élevé	Moyen-élevé
Steaks de dinde	Élevé	Élevé
Œufs frits	Moyen	Moyen
Crêpes	Moyen-élevé	Moyen-élevé
Riz frits	Moyen-élevé	Moyen-élevé
Sandwich au fromage grillé	Moyen-élevé	Moyen-élevé

* Nivelez les aliments à une épaisseur uniforme pour assurer une cuisson uniforme.

Utilisation du four

Ce guide d'utilisation et d'entretien couvre plusieurs modèles. Votre modèle peut avoir certains mais pas tous les modes et fonctionnalités répertoriés.

Descriptions des modes

Mode	Définitions et recommandations	Conduite électrique principale	Principal raccord gazier	Raccord électrique secondaire	Raccord gazier secondaire
Cuisson	Cuit les aliments avec de l'air chaud et sec. Différents types d'aliments comme des gâteaux, des biscuits, des pâtisseries, des pains éclair, des quiches et des casseroles.	✓	✓	✓	✓
Cuisson à convection	Semblable au mode Cuisson, mais un ventilateur à l'arrière du four fait circuler l'air. Idéal pour les produits boulangers comme les gâteaux, les pains de maïs, les tartes, les pains éclair, les tourtes et les pains à la levure.	✓	✓	✓ 1	✓ 1
Conv. véritable	Utilise la chaleur diffusée par un troisième élément situé à l'arrière du four. La chaleur circule à l'intérieur du four grâce au ventilateur à convection. Convient tout particulièrement aux aliments en portions individuelles comme les biscuits et les pâtisseries.	✓			
Gril	Utilise la chaleur intense diffusée par l'élément. Pour des pièces tendres et épaisses de viande (1 po/2,5 cm ou moins) ou de volaille; faire dorer le pain et les casseroles.	✓	✓	✓	✓
Gril à convection	Allie la chaleur intense diffusée par l'élément supérieur à l'air chaud qui circule sous l'action d'un ventilateur. Pour des pièces tendres de viande (plus de 1 po/2,5 cm), de volaille et de poisson. Ne convient pas au brunissage.	✓		✓ 1	
Levage	Fait lever la pâte levée et le pain au levain.			✓	✓
Rôtir	Utilise davantage la chaleur intense diffusée par l'élément supérieur, brunissage plus intense de l'extérieur du mets. Idéal pour la viande, la volaille, les morceaux moins tendres de viande et les légumes rôtis.	✓	✓	✓ 1	✓
Rôtissage par conv	Allie la chaleur de la sole et la chaleur plus intense diffusée par l'élément supérieur (que celle de la cuisson avec convection) à l'air chaud qui circule sous l'action d'un ventilateur. Pour les morceaux tendres de viande et de volaille et les légumes rôtis. La viande est plus tendre et juteuse qu'en mode Rôtir.	✓		✓ 1	
Sabbat / prolonger la cuisson	Ce mode de cuisson aide l'utilisateur à se conformer aux principes du Sabbath.	✓	✓	✓ 1	✓ 1
Keep Warm (Garder au chaud)	Maintien une faible température pour maintenir les aliments chauds. Idéal pour les produits boulangers comme les gâteaux, les pains de maïs, les tartes, les pains éclair, les tourtes et les pains à la levure.			✓	✓ 2
Nettoyage automatique	Le four atteint une température élevée pour brûler le sol des aliments.	✓	✓ 1	✓	✓ 1
Démarrage à distance ³	La fonction permet à l'utilisateur de démarrer, faire une pause et mettre fin à des programmes du four, et ce à distance par l'appli Home Connect.	✓	✓		

1 Modèles Pro Grand uniquement 2 Modèles Pro Harmony uniquement 3 Non disponible sur les modèles de 30 pouces

Mode	Définitions et recommandations	Conduite électrique principale	Principal raccord gazier	Raccord électrique secondaire	Raccord gazier secondaire
Préchauffage rapide ³	Symbole affiché lorsque le préchauffage rapide est activé.	✓		✓	
Sonde thermométrique ³	S'affiche à la détection d'une sonde.	✓	✓	✓	✓
Minuterie de cuisine ³	La minuterie de cuisine fonctionne de façon indépendante des autres fonctionnalités de l'appareil électroménager.	✓	✓	✓	✓
Minuterie du four ³	Affiche le temps restant du fonctionnement du four avant qu'il ne s'arrête automatiquement.	✓	✓	✓	✓
Fin de la minuterie ³	S'utilise lorsque le démarrage programme du four est reporté. Affiche l'heure du jour à laquelle le four s'éteindra automatiquement.	✓	✓		
Verrouillage du panneau ³	Empêche toute mise sous tension du four ou bloque toute modification accidentelle des réglages.	✓	✓	✓	✓
Verrouillage de porte ³	Symbole affiché au cours du mode d'autonettoyage et après celui-ci alors que la porte est verrouillée.	✓	✓	✓	✓
Réparations à distance ³	Ce symbole est affiché lorsque le service à la clientèle est connecté pour un accès à distance.	✓	✓		
Réglages ³	Appuyez pour accéder aux paramètres.	✓	✓		
Home Connect ³	Contrôlez à distance votre appareil avec un clic rapide ou une commande vocale.	✓	✓		

1 Modèles Pro Grand uniquement 2 Modèles Pro Harmony uniquement 3 Non disponible sur les modèles de 30 pouces

Démarrage initiale

Les paramètres d'affichage de l'heure de la journée, de la langue et de l'heure sont accessibles à tout moment en appuyant sur **RÉGLAGES** lorsque l'appareil est en mode veille.

1. Branchez l'appareil à l'alimentation électrique.
2. Sélectionnez un paramètre avec la gauche < ou >.
3. Modifiez le paramètre de réglage avec la droite < ou >.
4. Appuyez sur **ENTRER**.
 - L'écran passe en mode veille.

Réglages offerts

Réglage	Option
Heure de la journée	Temps donnée en heures et en minutes
Langue	Anglais, français, espagnol
Format de l'heure	12 h, 24 h
Affichage de l'heure	Numérique, analogue
Préchauffage rapide	Activée, désactivée

Réglage	Option
Son de la touche	Activée, désactivée
Luminosité de l'écran	1 – 5
Mode de veille	Activée, désactivée
Mode sombre	Activée, désactivée
Conversion en convection	Activée, désactivée Réduit la température du four de 25 °F (14 °C)
Écart de température	<ul style="list-style-type: none"> • Écart temp. : four de droite -35 à +35 °F (-20 à + 20 °C) • Écart temp. : four de gauche -35 à +35 °F (-20 à + 20 °C)
Sabbat	Activée, désactivée
Home Connect	Configuration avec l'assistant
Réglages d'usine	Restauration
Accès au service	Connexion
Service à la clientèle	Affiches les coordonnées du service à la clientèle

Assistant Home Connect™

À propos de Home Connect

Pour certains modèles, l'assistant Home Connect fait partie de l'installation initiale de l'appareil électroménager. Si la connexion n'est pas terminée lors du premier démarrage de l'appareil, elle est accessible dans le menu des réglages.

Il faut d'abord réussir l'installation de l'application Home Connect sur un appareil mobile. Consultez la section "Home Connect™" pour connaître l'ensemble des directives d'installation de l'application Home Connect.

Configuration de Home Connect

1. Commencez à partir du mode Standby (Veille) et sélectionnez **SETTINGS** (Réglages).
2. Appuyez sur la gauche < ou > pour accéder à home connect.
3. Appuyez sur **ENTRÉE**.
4. Suivez les instructions à l'écran.

Réglage de la conversion par convection

Pour préparer la plupart des aliments cuits au four avec utilisation des modes Cuisson par convection et Convection véritable (biscuits, gâteaux, tartes, etc.), il faut souvent réduire la température du four de 25 °F (14 °C). Le réglage Conversion Convection réduit automatiquement la température saisie.

- L'appareil continuera d'utiliser la valeur de Conversion convection sans interruption jusqu'à un changement manuel de l'utilisateur dans les réglages ou lors d'une coupure de courant; dans ce cas, il faut réinitialiser la Conversion convection.
- La Conversion convection est uniquement offerte pour les modes Cuisson à convection et Convection véritable.
- Il ne faut pas réduire la température pour les viandes et la volaille. Il faudrait respecter les températures recommandées dans les recettes et les tableaux de cuisson pour les viandes et la volaille.

Réglage de la conversion par convection

1. Commencez à partir du mode **STANDBY** (Veille) et sélectionnez **SETTINGS** (Réglages).
2. Appuyez à gauche < ou > pour faire défiler la Conversion convection.
3. Appuyez sur la droite < ou >, et sélectionnez **ON** (Marche).
4. Appuyez sur **ENTRER**.
5. Tourner le bouton de mode de cuisson à **CONV BAKE** (Cuisson par convection) et celui de la température à la température indiquée dans la recette.
 - Le four réduit automatiquement la température saisie de 25 °F (5 °C).

6. Laissez au four le temps de préchauffer puis enfournez les aliments.

Réglage du décalage du four

La fonction de décalage permet au cuisinier d'affiner davantage ses paramètres de cuisson à ses propres réglages optimaux personnels en lui permettant d'ajuster le décalage de température du four de +/- 35 °F (1,67 °C) par incréments de 5 °F (-15 °C). Cette fonction est utile si vous trouvez que la nourriture est toujours trop brune ou trop claire à votre goût.

- La fonction de décalage est disponible pour tous les modes sauf l'autonettoyage.
- Par défaut, la température est défini sur 0.
- L'unité continuera d'exécuter la valeur de décalage d'entrée indéfiniment jusqu'à ce que l'utilisateur la modifie manuellement.

Réglage du décalage du four avec un affichage numérique

1. Commencez à partir du mode Standby (Veille) et sélectionnez **SETTINGS** (Réglages).
2. **APPUYEZ SUR LA GAUCHE (OU) POUR FAIRE DÉFILER LA TEMPÉRATURE COMPENSÉE : FOUR DROIT/GAUCHE.**
3. Appuyez sur la droite < ou > pour régler la température.
4. Appuyez sur **ENTRER**.

Réglage du décalage du four sur les fours sans affichage numérique

IMPORTANT : Le décalage doit être initié dans les 5 minutes suivant une réinitialisation de l'alimentation et doit être démarré avec la porte fermée. Tous les boutons doivent être réglés sur **OFF** (ARRÊT). Le loquet de porte (le cas échéant) doit être déverrouillé.

1. Réinitialisez l'alimentation à la boîte des disjoncteurs. Remarque : l'alimentation doit rester hors tension pendant au moins 20 secondes.
2. Ouvrez la porte du four.
3. Tournez le bouton de mode sur **BROIL** (GRIL) et le bouton de température sur 350.
4. Fermez la porte de four.
5. Tournez le bouton de température sur **OFF** (ARRÊT).

Remarque : les étapes 3, 4 et 5 doivent être terminées dans les 5 secondes suivant l'ouverture de la porte (étape n° 2).

- Tous les voyants à DEL du four clignotent 4 fois pour indiquer que le mode de décalage de température a été lancé.

Position du bouton	Valeur de décalage de température (°F)
225	-50
250	-40
275	-30
300	-20
325	-10
350	0
375	10
400	20
425	30
450	40
475	50

REMARQUE : Si le mode encodeur est tourné dans une position autre que OFF (ARRÊT) ou si plus d'une minute passe sans activité pendant le réglage du mode de décalage de température, le mode est quitté sans aucune modification du décalage. Tous les voyants à DEL clignotent 8 fois pour indiquer que le décalage a été quitté.

Réglage du mode de cuisson et de la température du four

1. Insérez la grille au niveau désiré et fermez la porte.
2. Tournez le bouton **MODE** sur **BAKE** (CUISSON), par exemple.
3. Tournez le bouton de température.
 - La barre de préchauffage bleue se déplace vers la droite lorsque le four chauffe.
4. Une fois le four chaud, insérez les aliments dans la cavité.

Réglage des minuteries

- La minuterie de cuisine peut être réglée pour jusqu'à 24 heures. Il peut être utilisé même si la cuisinière est en service et indépendamment de toutes les autres fonctions. L'appareil ne s'allume pas ni s'éteint automatiquement.
- Avec la minuterie du four, l'appareil s'éteint automatiquement lorsque le temps de cuisson souhaité est terminé.
- Utilisez la minuterie de fin pour retarder la fin de la cuisson ultérieurement. Par exemple, il est 16 h 00. Le plat doit cuire pendant 40 minutes. Vous voulez qu'il soit prêt à 17 h 30. Saisissez la durée du temps de cuisson et reportez l'heure de fin jusqu'à 17 h 30. L'appareil électroménager se met en marche.

automatiquement à 16 h 50 et s'éteint de lui-même à 17 h 30.

Réglage de la minuterie de cuisine

1. Appuyez sur **TIMERS** (MINUTERIES).
2. Appuyez sur la gauche (ou) et sélectionnez **KITCHEN TIMER** (MINUTERIE DE CUISINE).
3. Appuyez sur la droite (ou) pour régler l'heure souhaitée et appuyez sur **ENTER** (ENTRÉE).
 - Un signal sonore retentit à la fin du temps écoulé. Appuyez sur **ENTRÉE (ENTER)** pour interrompre la sonnerie et la minuterie.

Modification d'une minuterie en cours de fonctionnement :

1. Appuyez sur **TIMERS** (MINUTERIES).
2. Appuyez sur la droite (ou) pour régler l'heure souhaitée et appuyez sur **ENTER** (ENTRÉE).

Réglage de la minuterie du four

1. Tournez le bouton **MODE** sur **BAKE** (CUISSON), par exemple.
2. Tournez le bouton de température à 350 °F (176,7 °C), par exemple.
3. Appuyez sur **TIMERS** (MINUTERIES).
4. Appuyez sur la gauche (ou) et sélectionnez **OVEN TIMER** (MINUTERIE DU FOUR).
5. Appuyez sur la droite (ou) pour régler l'heure souhaitée et appuyez sur **ENTER** (ENTRÉE).
 - Une fois le temps réglé écoulé, l'appareil s'éteint automatiquement lorsque le temps de cuisson souhaité est écoulé. Un signal sonore retentit à la fin du temps écoulé.

Réglage de la minuterie de fin

1. Réglez le mode de cuisson désiré ainsi que la température du four.
2. Appuyez sur **TIMERS** (MINUTERIES).
3. Appuyez sur la gauche < or > et sélectionnez **OVEN TIMER** (MINUTERIE DU FOUR).
4. Appuyez sur la droite < ou > pour régler l'heure du four.
5. Appuyez sur la gauche < ou > et sélectionnez **HEURE DE FIN** (END TIME).
6. Appuyez sur la droite < or > pour régler l'heure de fin (end time) et appuyez sur **ENTER** (ENTRÉE).
 - Après la confirmation de l'heure de fin, l'avis de temps d'attente s'affiche à l'écran. Après la période d'attente, le four commence à chauffer.

Réglage du préchauffage rapide

- Pour certains modes de cuisson, vous pouvez réduire la durée du temps de préchauffage en appuyant sur Préchauffage rapide. Le préchauffage rapide est habituellement recommandé pour les plats préparés surgelés, en casserole ou tout autre aliment qui demande des temps de cuisson prolongés. Ce mode de cuisson n'est pas recommandé pour les produits de boulangerie.
- L'appareil continuera de fonctionner en mode Préchauffage rapide sans interruption jusqu'à un changement manuel de l'utilisateur dans les réglages ou lors d'une coupure de courant; dans ce cas, il faut réinitialiser le préchauffage rapide.
- Il est également possible d'activer le préchauffage rapide du deuxième four dans les modèles de 48 po (122 cm).
- Le préchauffage rapide est offert pour les modes Cuisson, Cuisson à convection, Rôtissage et Rôtissage par convection.
- Pour un résultat de cuisson uniforme, ne déposez pas les aliments dans le four avant la fin du Préchauffage rapide.

Réglage du préchauffage rapide

1. Commencez à partir du mode **STANDBY** (Veille) et sélectionnez **SETTINGS** (Réglages).
2. Appuyez sur la gauche (ou) pour faire défiler jusqu'à Préchauffage rapide.
3. Effleurez la droite < ou > et sélectionnez **ON** (marche) puis effleurez **ENTER** (entrée).

Réglage du verrouillage du panneau

Le verrouillage du panneau est un mécanisme de sécurité pour empêcher l'allumage accidentel du four ou la modification d'un réglage du four. Le verrouillage du panneau ne peut être activé qu'en mode veille.

1. Appuyez et maintenez **TIMERS** (MINUTERIE) pendant quatre secondes.
 - Le symbole de verrouillage du panneau F et **PANEL LOCKED** (PANNEAU VERROUILLÉ) s'afficheront à l'écran, deux signaux sonores retentiront.
2. Pour désactiver, appuyez sur le bouton **TIMERS** (MINUTERIES) et maintenez-le enfoncé pendant quatre secondes.

Réglage du four pour faire lever

Il est préférable de commencer avec un four froid lorsque vous utilisez la fonction de levage.

1. Laisser la pâte décongeler si elle est congelée.
2. Placer la pâte dans un plat et couvrir légèrement.
3. Utilisez n'importe quel niveau de grille adapté à la taille du bol ou du plat. Fermez la porte.
4. Tournez le bouton de mode sur **PROOF** (LEVAGE).

5. Tournez le bouton de température du four à 150 °F (65,6 °C).
 - La température idéale pour la fermentation sera maintenue jusqu'à ce que le bouton de mode soit désactivé. La pâte a fait ses preuves lorsqu'elle a doublé de volume.

Réglage du mode de maintien au chaud

1. Tournez le bouton du mode de cuisson à **CHAUD** (WARM).
2. Tournez le bouton de température du four à 150 °F (65,6 °C).
3. Placez le plat réchauffé dans le four et fermez la porte.

Programmation de la sonde thermique

La sonde thermique vous permet d'avoir plus de contrôle sur la manière dont les aliments sont cuits en désactivant automatiquement le mode de cuisson spécifié lorsque la température souhaitée d'un plat, définie par l'utilisateur, a été atteinte. La sonde exprime la température actuelle de la viande pendant la cuisson.

La sonde de température ne fonctionnera pas avec la minuterie du four ou avec la minuterie de fin. Voici les modes de chauffage qui fonctionnent avec la sonde de température:

- Cuisson
- Cuisson par convection
- Rôtir
- Rôti à convection

Programmation de la sonde thermique

1. Insérez l'extrémité de la fiche dans la prise de la sonde dans la paroi du four et insérez l'extrémité de la sonde à viande dans la viande.
2. Fermez la porte de four.
3. Tournez les boutons **MODE** et **TEMPERATURE** (TEMPÉRATURE) sur les réglages souhaités.
4. Appuyez sur la droite (ou) pour régler la température.

Réglage du mode Sabbat

À propos du mode Sabbat - Utilisation de la table de cuisson

⚠ AVERTISSEMENT

Lorsque vous utilisez une plaque, faites fonctionner un seul brûleur STAR® au réglage le plus faible. L'utilisation de plusieurs brûleurs STAR peut entraîner une surchauffe ou des problèmes de combustion ou endommager l'appareil électroménager. NE PAS couvrir les orifices d'évacuation.

- Lorsque le mode Sabbat est activé, les brûleurs STAR dotés de la fonction XLO sont désactivés pour assurer le respect des préceptes.

- Les brûleurs au gaz STAR® standards sans XLO demeurent entièrement fonctionnels.
- Le module de cuisson par induction, la plaque et/ou le gril sont entièrement fonctionnels en mode Sabbat.
- Les brûleurs au gaz STAR standards demeurent allumés au cours d'une panne électrique.
- Les brûleurs STAR sont dotés d'une fonction de ré-allumage. Si la flamme est éteinte, l'allumeur rallumera automatiquement le brûleur STAR.

Mode Sabbat : utilisation du ou des fours

- Le four maintient une température uniforme entre 150 °F et 475 °F (66 °C et 246 °C) en mode Cuisson.
- Les aliments cuits sont maintenus au chaud pour une période minimum de 30 minutes jusqu'à un maximum de 74 heures sans devoir éteindre ou allumer l'appareil électroménager.
- Les denrées facilement périssables ne doivent pas être laissées trop longtemps au four.
- Lors du Sabbat, au lieu d'utiliser une plaque, les commandes du four devraient être couverts. Soyez attentifs et ne couvrez pas les orifices d'évacuation.
- La ou les lampe(s) du four sont désactivées en mode Sabbat.
- Il est possible d'ajuster la température de cuisson lors des Fêtes. (Il y aura un délai entre la commande et l'activation).

Réglage du mode Sabbat sur le four principal

1. Commencez à partir du mode Sabbat et sélectionnez **SETTINGS** (Réglages) à l'écran du four principal.
2. Effleurez la gauche < ou > pour défiler jusqu'au mode **SABBAT**.
3. Effleurez la droite < ou > et sélectionnez **ON** (marche) puis effleurez **ENTER** (entrée).
 - Les étapes 1 à 3 sont uniquement nécessaires lors de la première utilisation du mode Sabbat ou si l'appareil électroménager a été réinitialisé en usine.
4. Tournez la molette de commande du four principal à **BAKE** (cuisson) puis la molette de température à la température désirée.
5. Effleurez **TIMERS** (minuteurs) à l'écran du four principal.
6. Effleurez la gauche < ou > pour défiler jusqu'à **SABBATH TIMER** (minuteur sabbat).
7. Effleurez la droite < ou > et saisissez la durée (DURATION TIME) par incréments de 30 minutes.
8. Appuyez sur **ENTRER**.
 - Un avis de temporisation apparaît. Au cours de cette pause de cinq minutes, l'utilisateur peut régler les paramètres. Après le décompte, le four démarre et toutes les commandes sont désactivées.

- Il est possible de démarrer le four secondaire à n'importe quel mode de cuisson pour lancer le mode Sabbat au cours de la pause de cinq minutes.

9. À la fin du décompte du minuteur Sabbat, repositionnez toutes les molettes à **OFF** (éteint).

Annulation du mode Sabbat

1. Pour annuler la programmation, positionnez toutes les molettes à **OFF** (éteint).

Réglage du mode Sabbat sur le four secondaire

1. Commencez à partir du mode Sabbat et sélectionnez **SETTINGS** (Réglages) à l'écran du four principal.
2. Effleurez la gauche < ou > pour défiler jusqu'au mode **SABBAT**.
3. Effleurez la droite < ou > et sélectionnez **ON** (marche) puis effleurez **ENTER** (entrée).
 - Les étapes 1 à 3 sont uniquement nécessaires lors de la première utilisation du mode Sabbat ou si l'appareil électroménager a été réinitialisé en usine.
4. Tournez la molette du four secondaire à **BAKE** (cuisson) et la molette de la température à la température désirée.
5. Appuyez sur **TIMERS** (minuteurs) à l'écran du four secondaire.
6. Effleurez la gauche < ou > pour défiler jusqu'à **SABBATH TIMER** (minuteur sabbat).
7. Effleurez la droite < ou > et saisissez la durée (DURATION TIME) par incréments de 30 minutes.
8. Appuyez sur **ENTRER**.
 - Au cours de la pause de cinq minutes, l'utilisateur peut régler les paramètres. Après le décompte, le four démarre et toutes les commandes sont désactivées.

Annulation du mode Sabbat

1. Pour annuler la programmation, positionnez toutes les molettes à **OFF** (éteint).

Réglage de la cuisson prolongée (mode Sabbat) sur les modèles sans affichage numérique

1. Tournez le bouton de mode sur **EXTEND BAKE** (PROLONGER LA CUISSON).
2. Tournez le bouton de température sur la température désirée.

Lancement du démarrage à distance

⚠ AVERTISSEMENT

FONCTIONNEMENT À DISTANCE

Certains modèles permettent un fonctionnement à distance à tout moment. Ne pas ranger de matières inflammables ou d'articles sensibles à la chaleur à l'intérieur, sur le dessus ou près de la surface de l'appareil.

Nous travaillons sans relâche pour améliorer l'application Home Connect. Les étapes de configuration peuvent varier légèrement. Veuillez respecter les directives de la dernière version de l'application Home Connect pour vous guider lors du processus de configuration.

Pour certains modèles, un démarrage à distance permanent peut être activé via l'application Home Connect. Cette fonction permet un démarrage à distance des modes de fonctionnement disponibles sans désactiver automatiquement le démarrage à distance.

- Le démarrage à distance permet à l'utilisateur de démarrer, faire une pause et mettre fin à des programmes du four, et ce, à distance par l'appli Home Connect™ sur un appareil mobile.
- Assurez-vous de respecter les directives de sécurité décrites au présent mode d'emploi et que ces directives sont aussi respectées lors de la télécommande de l'appareil électroménager par l'appli Home Connect quand vous êtes absent de la maison. Respectez également les directives fournies par l'appli Home Connect.
- La fonctionnalité de démarrage à distance (Remote Start) fonctionne uniquement si l'application Home Connect a bien été installée sur un appareil mobile. Consultez la section « Home Connect® » pour connaître les directives d'installation de l'application Home Connect.

- Certains modes de fonctionnement se lancent uniquement sur le four.
- Les commandes données directement depuis l'appareil électroménager ont toujours préséance sur les autres. Au cours de cette période, il est impossible de faire fonctionner l'appareil électroménager par l'appli Home Connect.
- Si l'appareil électroménager n'est pas connecté au réseau domestique, il fonctionne de la même façon qu'un four normal sans connexion réseautique et peut toujours être commandé par l'appareil.
- La disponibilité de la fonction Home Connect dépend de l'offre des services Home Connect dans votre pays. Les services Home Connect ne sont pas disponibles dans tous les pays. Consultez www.home-connect.com pour de plus amples renseignements à ce sujet.

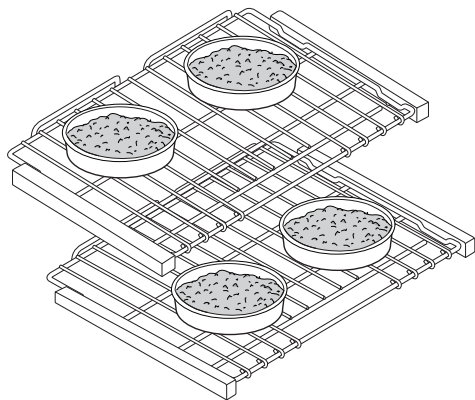
Réglage du démarrage à distance

1. Placez les aliments dans le four, puis fermez la porte.
2. Tournez le bouton de mode sur **REMOTE START (DÉMARRAGE À DISTANCE)**.
 - NE PAS tourner le bouton de température sur aucun réglage (laisser en position d'arrêt).
 - L'écran passera en mode veille.
3. Poursuivez avec l'appli Home Connect installé sur l'appareil mobile.

Recommandations sur la position des grilles

Positions des grilles du four

- Les positions des grilles de four sont numérotées comme un ascenseur. Le numéro un est la position la plus basse et le numéro cinq est celle la plus haute.
- Les recommandations relatives à la position des grilles s'appliquent à la cuisson au four; toutefois, si une recette suggère une position de grille différente, vous devriez suivre la recette ou les instructions de l'emballage.
- Laissez un espace d'au moins 25.4 mm (1 po) entre les plats et les parois du four pour que la chaleur puisse circuler.
- Espacez les plats de sorte qu'ils ne se trouvent pas l'un au-dessus de l'autre. Laissez 38 mm (1½ po) au-dessus et en dessous de chaque plat.



Cuisson

Cuisson sur une grille du four principal

Niveaux	Mode de cuisson
4	-- Idéal pour les produits de boulangerie individuels tels que les biscuits, les pâtisseries, etc.
3	-- Idéal pour la plupart des produits cuits au four.
2	-- Si l'article est grand, comme un gâteau des anges. -- Il est préférable de cuire les tartes au niveau de la grille 2 pour s'assurer que le fond de la croûte est cuit sans trop brunir le dessus. -- Lorsque de gros morceaux de viande ou de volaille sont rôtis, comme une côte de bœuf ou une dinde.

Cuisson sur deux grilles du four principal

Niveaux	Mode de cuisson
2 et 5 bi-énergie 2 et 4 gaz	-- Plats en casserole

Four secondaire (modèles de 48 po)

Niveaux	Mode de cuisson
3	-- Idéal pour la plupart des produits cuits au four.

Cuisson à trois grilles du four principal

Si vous souhaitez une cuisson sur trois grilles, la cuisson par convection ou les modes de convection véritable sont les meilleurs.

GRIL

Recommandations pour la grille de grill du four principal bi-énergie

Niveaux	Mode de grill bi-énergie
5	-- Steaks de bœuf, galettes de viande hachée, steak de jambon et côtelettes d'agneau de 1 po ou moins d'épaisseur. Utiliser également pour faire dorer les aliments.
4	-- Viande de 1-1/8 po ou plus d'épaisseur ou poisson, volaille, côtelettes de porc et steaks de jambon de 1 po ou plus d'épaisseur.
3	-- Quartiers ou moitiés de poulet.

Recommandations pour la grille de grill du four à gaz

Niveaux	Mode de grill au gaz
4	-- Steaks de bœuf, galettes de viande hachée, steak de jambon et côtelettes d'agneau de 1 po ou moins d'épaisseur.
3	-- Viande de 1-1/8 po ou plus d'épaisseur ou poisson, volaille, côtelettes de porc et steaks de jambon de 1 po ou plus d'épaisseur. Utilisez cette grille pour griller des quartiers ou des moitiés de poulet. Utiliser également pour faire dorer les aliments.

Recommandations pour la grille de grill du four secondaire (modèles de 48 po uniquement)

Niveaux	Mode de grill secondaire
3, 4 ou 5 - bi-énergie 1, 3 ou 4 - à gaz	-- Selon le type et l'épaisseur de l'aliment.
5 - bi-énergie 3 - à gaz	-- Haut brunissement des aliments.

Cuisson par convection

Pro Harmony - Cuisson par convection sur une grille

Niveaux	Mode de cuisson à convection
3 ou 4	-- Lors de la cuisson sur une seule grille, les meilleurs résultats sont obtenus en mode cuisson.
2	-- Rôtir une dinde ou un gros morceau de viande.

Pro Harmony - Cuisson par convection sur deux grilles

Niveaux	Mode de cuisson à convection
2 et 4 bi-énergie	-- Utilisez pour les gâteaux. Les moules à gâteaux doivent être décalés.
Gaz voir la note	-- Niveaux de grille de cuisinière à gaz pour : Biscuits: 3 et 5 Gâteaux : 2 et 5

Pro Harmony - Cuisson par convection sur trois grilles

Niveaux	Mode de cuisson à convection
1, 3, et 5 Bi-énergie	-- Lorsque plusieurs feuilles de biscuits doivent être cuites. Placez les plaques à pâtisserie directement les unes au-dessus des autres sur les grilles respectives pour permettre à l'air de circuler autour des plaques à pâtisserie.
Gaz voir la note	-- Niveaux de grille de cuisinière à gaz pour : Biscuits : 3, 4 et 5 Pâtisseries et autres produits de boulangerie : 1, 3 et 5

Pro Grand - Cuisson par convection sur une grille

Niveaux	Mode de cuisson à convection
3	-- Lors de la cuisson sur une seule grille, les meilleurs résultats sont obtenus en mode cuisson.
2	-- Rôtir une dinde ou un gros morceau de viande.

Pro Grand - Cuisson par convection sur deux grilles

Niveaux	Mode de cuisson à convection
2 et 4	-- À utiliser pour les gâteaux, biscuits et autres produits de boulangerie. Les moules à gâteaux doivent être décalés. Les plaques à biscuits doivent être placées sur la grille 2 directement sous celle sur la grille 4.
	-- Pour cuire plusieurs casseroles, tartes surgelées ou gâteaux.
	-- Ces deux grilles peuvent également être utilisées pour un grand repas au four.

Pro Grand - Cuisson par convection sur trois grilles

Niveaux	Mode de cuisson à convection
1, 3, et 5 Bi-énergie	-- Lorsque plusieurs feuilles de biscuits doivent être cuites. Placez les plaques à pâtisserie directement les unes au-dessus des autres sur les grilles respectives pour permettre à l'air de circuler autour des plaques à pâtisserie.
Gaz voir la note	-- Niveaux de grille de cuisinière à gaz pour : Biscuits : 2, 3 et 4 Autres aliments : 1, 3 et 5

Recommandations pour la déshydratation de la cuisson par convection

Nourriture	Préparation	Environ de temps (heures)	Test de cuisson
Pomme, tranches de ¼ po	Saucez dans ¼ tasse (60 ml) de jus de citron et 2 tasses (500 ml) d'eau	8 – 15	Légèrement malléables
Bananes, tranches de ¼ po	Saucez dans ¼ tasse (60 ml) de jus de citron et 2 tasses (500 ml) d'eau	8 – 15	Légèrement malléables
Cerises	Laver et sécher à la serviette. Dans le cas de cerises fraîches, enlever les noyaux	7 – 18	Malléables, résistantes et moelleuses
Pelures d'orange	Partie orange de la pelure finement pelée des oranges.	1 – 4	Sèches et cassantes
Tranches d'orange	Tranches d'orange de ¼ po	9 – 16	La pelure devient sèche et cassante, le fruit, légèrement humide
Anneaux d'ananas	Sécher à la serviette	7 – 12	Moelleux et malléables
Fraises	Laver et sécher à la serviette. Couper en tranches de 1/2 po (12 mm) d'épaisseur, peau vers le bas sur la grille	9 – 17	Sèches et cassantes

Poivrons	Laver et sécher à la serviette. Retirer la membrane du poivron, couper grossièrement en morceaux de 1 po (2,5 cm)	13 – 17	Résistants sans traces d'humidité à l'intérieur
Champignons	Laver et sécher à la serviette. Couper en tranches minces de 1/8 po (3 mm) d'épaisseur	5 – 12	Coriaces et résistants, secs
Tomates	Laver et sécher à la serviette. Couper en tranches minces de 1/8 po (3 mm) d'épaisseur, bien drainer	5 – 12	Sèches, couleur rouge vif

Convection véritable

Recommandations de convection véritable

Niveaux de bi-énergie	Mode de convection véritable
4 et 5	-- Biscuits
2, 3, et 4	-- Biscuits
1, 3, et 5	-- Pâtisseries et autres produits de boulangerie

Levage

Recommandations de levage

Taille	Temps
Miche, 1 lb (0,45 kg)	60 - 75 minutes
Roulades, 0,1 lb (0,05 g)	30 - 45 minutes

Rôtir

Recommandations de grillage

Viande et volaille	Température	Niveau
Bœuf		
Bœuf braisé, 3 – 4 lb	350 F(180 C)	1
Poitrine de bœuf	350 F(180 C)	2
Mandrin de boeuf	350 F(180 C)	1
Pain de viande	350 F(180 C)	3
Volaille		
Poulet, entier	375 F(190 C)	2
Poulet, morceaux	375 F(190 C)	2
Dinde, entière	325 F(165 C)	2
Porc		
Épaule	325 F(165 C)	1
Jambon fumé, demi	325 F(165 C)	1

Home Connect™

Nous travaillons sans relâche pour améliorer l'application Home Connect. Les étapes de configuration peuvent varier légèrement. Veuillez respecter les directives de la dernière version de l'application Home Connect pour vous guider lors du processus de configuration.

Pour vous aider dans votre expérience de jumelage, suivez le lien pour un guide vidéo rapide sur le « mode d'emploi » : www.thermador.com/us/home-connect/wifi-pairing-instructions.

Remarques

- Suivez les informations de sécurité dans ce manuel d'instructions et assurez-vous qu'elles sont également respectées lors de l'utilisation de l'appareil à l'aide de l'application Home Connect.
- Le fonctionnement de l'appareil sur l'appareil lui-même est toujours prioritaire. Il n'est pas possible de faire fonctionner l'appareil à l'aide de l'application Home Connect pendant cette période.

Configuration de Home Connect

Téléchargement de l'application Home Connect et création d'un compte utilisateur

1. Depuis le téléphone intelligent ou la tablette, ouvrez l'App Store (appareils Apple^{MD}) ou Google Play^{MC} Store (appareils Android^{MC}).
2. Recherchez l'application Home Connect (Amérique) publiée par Robert Bosch Hausgeräte GmbH dans la recherche du magasin.
3. Ouvrez l'application et enregistrez-vous pour créer un compte Home Connect.
4. Notez les informations d'identification de votre compte Home Connect (compte d'utilisateur et mot de passe). Vous en aurez besoin plus tard.

Conservez vos données de connexion Home Connect ici :

Nom du réseau (SSID) :

Mot de passe (clé) :

5. L'application vous informera des étapes nécessaires pour ajouter un appareil à Home Connect.

Connexion manuelle de votre appareil à votre réseau domestique

1. Appuyez sur **PARAMÈTRES** et sélectionnez **HOME CONNECT**.
2. Appuyez sur **ENTRER**.
Si aucun réseau n'a été établi, l'assistant Home Connect vous guidera. Si aucun réseau n'a été établi, l'assistant Home Connect vous guidera.

3. Appuyez sur **ENTRER** pour sélectionner l'assistant Home Connect.
4. Suivre les directives de l'application.
5. Attendre que « NETWORK CONNECTED » (Connexion réseau réussie) s'affiche à l'écran.
Il est possible que la connexion échoue. Il est possible que la connexion échoue. Un message d'alerte à l'écran vous demandera de réessayer ou de procéder à une connexion automatique.
L'appareil électroménager est prêt à se connecter à l'appli.
6. Respecter les directives de l'appli sur l'appareil mobile pour une inscription automatique au réseau.
Le processus d'enregistrement est terminé une fois que « PAIRING SUCCESSFUL » (jumelage réussi) s'affiche à l'écran.

Connexion de l'appareil électroménager au réseau domestique avec WPS

1. Appuyez sur **PARAMÈTRES** et sélectionnez **HOME CONNECT**.
2. Appuyez sur **ENTRER**.
-- Une demande pour appuyer sur le bouton WPS du routeur dans les deux (2) minutes s'affiche à l'écran.
3. **Appuyez sur le bouton WPS du routeur.**
-- Veuillez consulter le manuel du routeur pour localiser le bouton WPS.
-- L'appli est avisée dès la connexion réussie de l'appareil électroménager au réseau Wi-Fi.
4. Appuyez sur **ENTRER**.
-- Un message apparaîtra à l'écran pour informer l'utilisateur si la connexion au réseau a réussi.
5. Appuyez sur **LANCER L'APPAIRAGE (START PAIRING)** de l'application Home Connect.
6. Respectez les directives de l'appli.

Activer ou désactiver le Wi-Fi

1. Appuyez sur **SETTINGS (RÉGLAGES)** pour parcourir les options disponibles jusqu'à ce que « **HOME CONNECT SETTINGS** » (RÉGLAGES HOME CONNECT) s'affiche.
2. Appuyez sur **ENTRER**.
3. Appuyez sur **SETTINGS (RÉGLAGE)** pour parcourir les options disponibles jusqu'à ce que « **WI-FI ON** » ou « **WI-FI OFF** » s'affiche.
4. Appuyez sur **ENTRER**.
5. Appuyez sur 0 pour désactiver le Wi-Fi ou sur 1 pour activer le Wi-Fi.
« **DEACTIVATING WI-FI** » ou « **ACTIVATING WI-FI** » (Wi-Fi désactivé/activé) s'affiche.

Déconnexion du réseau

Remarque : Lorsque l'appareil est déconnecté du réseau, il est impossible de le faire fonctionner par Home Connect.

1. Appuyez sur **SETTINGS** (RÉGLAGES) pour parcourir les options disponibles jusqu'à ce que « **HOME CONNECT SETTINGS** » (RÉGLAGES HOME CONNECT) s'affiche.
2. Appuyez sur **ENTRER**.
3. Appuyez sur **SETTINGS** (PARAMÈTRES) pour faire défiler les options disponibles jusqu'à ce que « **NETWORK CONNECTED** » (RÉSEAU CONNECTÉ) s'affiche.
4. Appuyez sur **ENTRER**.
« **PRESS 0 TO DISCONNECT** » (Appuyer sur 0 pour couper la connexion) s'affiche.
5. Appuyez sur le **0**.
« **DELETING NETWORK** » (Effacer le réseau) s'affiche.

Connexion au réseau

1. Appuyez sur **SETTINGS** (RÉGLAGES) pour parcourir les options disponibles jusqu'à ce que « **HOME CONNECT SETTINGS** » (RÉGLAGES HOME CONNECT) s'affiche.
2. Appuyez sur **ENTRER**.
« **PRESS ENTER FOR HC** » (Appuyez Entrée pour Home Connect) s'affiche.
3. Appuyez sur **ENTRER** pour démarrer l'assistant Home Connect.
4. Suivez les instructions dans les sections
 - « Enregistrement manuel de votre appareil sur le réseau domestique », ou
 - « Connexion de l'appareil électroménager au réseau domestique avec WPS ».

Connexion à l'application

Si l'application Home Connect est installée sur votre appareil mobile, vous pouvez la connecter à votre four.

Exigence : l'électroménager est connecté au réseau.

1. Appuyez sur **SETTINGS** (RÉGLAGES) pour parcourir les options disponibles jusqu'à ce que « **HOME CONNECT SETTINGS** » (RÉGLAGES HOME CONNECT) s'affiche.
2. Appuyez sur **ENTRER**.
« **PRESS ENTER FOR HC** » (Appuyez Entrée pour Home Connect) s'affiche.
3. Appuyez sur **SETTINGS** (RÉGLAGES) pour parcourir les options disponibles jusqu'à ce que « **CONNECT TO HC APP** » (CONNEXION À L'APPLICATION HC) s'affiche.
4. Appuyez sur **ENTRER**.
« **CONFIRM ON HC APP** » (Confirmer sur l'appli Home Connect) s'affiche.

5. Confirmer la connexion à l'appli Home Connect.

Réglage du démarrage à distance

See "Lancement du démarrage à distance" on page 54

Réglage du contrôle à distance

1. Appuyez sur **SETTINGS** (RÉGLAGES) pour parcourir les options disponibles jusqu'à ce que « **HOME CONNECT SETTINGS** » (RÉGLAGES HOME CONNECT) s'affiche.
2. Appuyez sur **ENTRER**.
« **PRESS ENTER FOR HC** » (Appuyez Entrée pour Home Connect) s'affiche.
3. Appuyez sur **SETTINGS** (RÉGLAGES) pour faire défiler les options disponibles jusqu'à ce que « **REMOTE CTRL DISABLED** » (CONTRÔLE À DISTANCE INACTIF) ou « **REMOTE CTRL ENABLED** » (CONTRÔLE À DISTANCE ACTIF) s'affiche.
4. Appuyez sur **ENTRER**.
« **PRESS 1 REMOTE CTRL ON** » (Appuyer sur 1 pour activer) ou « **PRESS 0 REMOTE CTRL OFF** » (Appuyer sur 0 pour désactiver) s'affiche.
5. Appuyez sur 1 ou 0 pour allumer ou éteindre le contrôle à distance.

Diagnostics à distance

Les services après-vente peuvent accéder à votre appareil via Remote Diagnostics (Diagnostic à distance) si vous leur demandez de le faire, si votre appareil est connecté au serveur Home Connect et si Remote Diagnostics (Diagnostic à distance) est disponible dans le pays où vous utilisez l'appareil.

Conseil : Pour plus d'informations et de détails sur la disponibilité des diagnostics à distance dans votre pays, consultez la section Service/Support de votre site Web local: www.home-connect.com

¹Wi-Fi est une marque déposée de Wi-Fi Alliance.

Entretien et maintenance

Ce guide de démarrage et de sécurité couvre plusieurs modèles. Votre modèle peut ne pas avoir tous les modes répertoriés.

Pour plus de recommandations et de conseils de nettoyage pour tirer le meilleur parti de votre appareil, reportez-vous au Guide d'utilisation et d'entretien disponible en ligne à l'adresse

- États-Unis : www.thermador.com/us/support/customer-care/faqs/gas-ranges
- Canada: www.thermador.ca/en/support/customer-care/faqs/ranges

Réglage du four sur l'autonettoyage

AVERTISSEMENT

- Pendant le cycle d'autonettoyage, les surfaces extérieures peuvent devenir plus chaudes que d'habitude. Certaines parties de l'appareil peuvent devenir potentiellement dangereuses pour les enfants et pour les personnes qui ne connaissent pas les appareils par un adulte et qui ne réagissent pas aux conditions potentiellement dangereuses. Tenez ces personnes éloignées pendant l'autonettoyage et pendant l'utilisation de l'appareil. Des précautions sont nécessaires lors de l'utilisation des autres fonctions.
- L'élimination des salissures pendant l'autonettoyage peut faciliter l'émission de petites quantités de produits chimiques ou d'autres substances qui peuvent être nocives en cas d'exposition suffisante. Pour minimiser l'exposition à ces substances, s'assurez d'avoir une bonne ventilation en laissant une fenêtre ouverte, ou utiliser un ventilateur ou une hotte d'aération.
- Pour le cycle d'autonettoyage de votre cuisinière, retirez les petits animaux et les oiseaux de la cuisine et des environs. Ouvrez une fenêtre à proximité pour une ventilation supplémentaire. Pendant l'autonettoyage, les émanations de fumée peuvent être nocives pour les oiseaux.

AVANT DE RÉGLER LE FOUR EN AUTONETTOYAGE

N'UTILISEZ PAS DE NETTOYANTS POUR FOUR - Ne pas utiliser un produit nettoyant pour four commercial ou un revêtement protecteur de cavité de four, peu importe le type, à l'intérieur du four ou sur n'importe quelle autre partie autour du four.

- Lorsque le four est réglé pour l'autonettoyage, les brûleurs standard de la table de cuisson et la plaque chauffante électrique et le gril peuvent être utilisés. Les brûleurs dotés de la fonction ExtraLow® ne peuvent pas être utilisés.

- Nettoyez le cadre avant du four et les bords extérieurs de la porte.
- Essayez les gros débordements et la graisse.
- Assurez-vous que les ampoules et les couvercles en verre sont en place.
- Allumez la hotte du ventilateur au-dessus de la cuisinière et laissez-la allumée jusqu'à ce que le four ait terminé le cycle d'autonettoyage.

Réglage de l'autonettoyage sur les modèles de la série Harmony à double combustible de 30 po

1. Retirez tous les ustensiles de cuisine, les grilles et les guides de grille. Assurez-vous que la porte du four est fermée.
2. Tournez le bouton de mode sur **AUTONETTOYAGE**.
3. Tournez le bouton de température sur **CLEAN (NETTOYAGE)**.
 - L'autonettoyage dure 2 heures.

Réglage de l'autonettoyage sur les modèles bi-énergie avec écran

1. Retirez tous les ustensiles de cuisine, les grilles et les guides de grille. Assurez-vous que la porte du four est fermée.
2. Tournez le bouton de mode sur **SELF CLEAN (AUTONETTOYAGE)** et le bouton de température sur **CLEAN (NETTOYAGE)**.
3. Appuyez sur la droite > régler le niveau de nettoyage souhaité et appuyez sur **ENTER (ENTRÉE)**.

Niveau du sol	Durée (exclut la période de refroidissement)
Faible	1½ heures
Élevé	3 heures

4. Après l'affichage du texte informatif, appuyez sur **ENTER (ENTRÉE)**.



REMARQUE : Le processus de fermeture de la porte prend environ 20 secondes, après quoi la porte se verrouille. Vérifiez que la porte est verrouillée. N'utilisez pas d'auto-nettoyage si le four ne se verrouille pas.

À la fin du cycle de nettoyage

MISE EN GARDE

L'intérieur du four sera toujours aux températures de cuisson lorsque le verrouillage automatique se met en position ouverte et que la porte du four peut être ouverte.

Le loquet de la porte s'ouvre automatiquement lorsque le four est en dessous de 500 F (260 C).

1. Tournez le bouton de mode sur **OFF** (ARRÊT).
2. Tournez le bouton de température sur **OFF** (ARRÊT).

Pour régler l'heure de fin de l'autonettoyage

1. Retirez tous les ustensiles de cuisine, les grilles et les guides de grille. Assurez-vous que la porte du four est fermée.
2. Tournez le bouton de mode sur **AUTONETTOYAGE**.
3. Appuyez sur la droite (ou) pour régler le niveau de nettoyage souhaité et appuyez sur **ENTER** (ENTRÉE).
4. Appuyez sur **TIMERS** (MINUTRIES), appuyez sur la gauche (ou) et sélectionnez **END TIMER** (FIN DE MINUTRIE).
5. Appuyez sur la droite (ou) pour régler la fin de la minuterie et appuyez sur **ENTER** (ENTRÉE).
6. Après l'affichage du texte informatif, appuyez sur **ENTER** (ENTRÉE).

REMARQUE :

- Une fois que l'autonettoyage a terminé son cycle, la fonction d'autonettoyage ne pourra plus fonctionner pendant une période de 24 heures.
- Si l'utilisateur essaie d'activer une fonction d'autonettoyage dans un four où la fonction d'autonettoyage a été restreinte, les lumières du four clignotent à intervalles de 2 secondes pour indiquer à l'utilisateur que la fonction n'est pas disponible. L'utilisateur doit tourner les boutons sur **OFF** (ARRÊT) pour arrêter les lumières clignotantes.

Nettoyer l'appareil

⚠ MISE EN GARDE

Évitez de nettoyer une partie de la cuisinière lorsqu'elle est chaude.

- Le fini émaillé de la porcelaine est résistant à l'acide, mais il n'est pas nécessairement à son épreuve. Il faut essuyer les aliments acides, notamment le jus d'agrumes, les tomates, la rhubarbe, le vinaigre, l'alcool ou le lait, et empêcher les résidus de cuire et de coller à la porcelaine lors de la prochaine utilisation du four.
- Utilisez la procédure de nettoyage la plus douce qui fera le travail de manière efficace et efficiente. Certains nettoyeurs du même type sont plus durs que d'autres. Essayez d'abord sur une petite zone peu visible.
- Frottez toujours les finitions métalliques dans le sens des lignes de polissage pour une efficacité maximale et pour éviter de tacher la surface.
- Utilisez uniquement des chiffons doux et propres, des éponges, des serviettes en papier, des brosses fibreuses, des tampons en plastique, non métalliques ou en laine d'acier pour le nettoyage et le récurage, comme recommandé sur le tableau.

- La plupart des pièces extérieures de cet appareil peuvent être nettoyées avec de l'eau chaude savonneuse (à l'exception des divers éléments spécifiquement identifiés autrement). Lorsqu'un rinçage est nécessaire, rincez abondamment.
- Essuyez toujours immédiatement pour éviter les traces d'eau.
- **N'UTILISEZ PAS DE NETTOYANTS À BASE DE CHLORE.**

Remplacement d'une ampoule de four

⚠ MISE EN GARDE

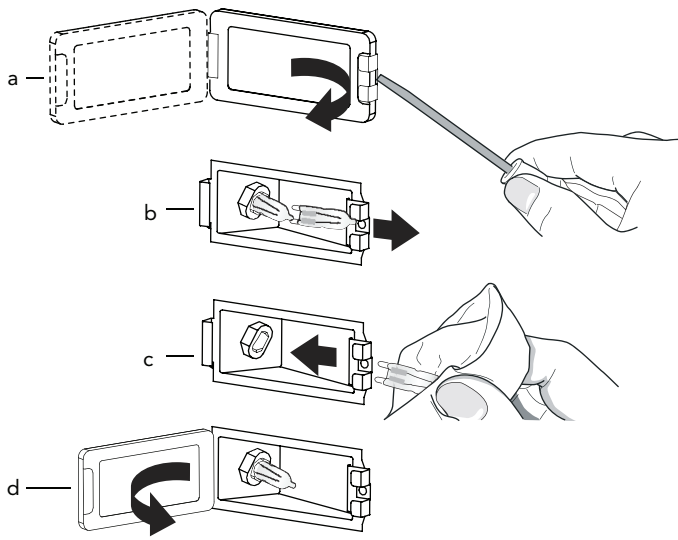
La prise de courant est sous tension lorsque la porte est ouverte. S'assurer que l'appareil et l'éclairage sont froids et veiller à couper l'alimentation électrique de l'appareil avant de remplacer la ou les ampoules. Le non-respect de cette précaution pourrait entraîner un choc électrique ou des brûlures. Les couvercles doivent être en place lors de l'utilisation de l'appareil.

Utilisez uniquement des ampoules G4 de 10 W, 12 V. Utilisez un chiffon propre et sec pour manipuler les ampoules. Cela augmentera la durée de vie de l'ampoule.

Remplacement de l'ampoule

1. Mettez à l'arrêt le disjoncteur.
2. Retirez les grilles du four.
3. Faites glisser la pointe d'un tournevis à lame plate entre le clip du support et le boîtier de la lampe (figure, a).
4. Soutenez le couvercle de la lentille en verre avec les doigts le long du bord inférieur pour éviter que le couvercle ne tombe au fond du four. Tournez doucement le tournevis à lame plate pour desserrer le couvercle de la lentille en verre.
5. Retirez le couvert de la lentille en verre.
6. Retirez l'ampoule en saisissant et en faisant glisser l'ampoule vers l'arrière jusqu'à ce que les deux broches aient dégagé le support en céramique (figure, b).
7. **NE TOUCHEZ PAS** au verre de la nouvelle ampoule de remplacement avec les doigts. Cela pourrait provoquer la défaillance de l'ampoule lorsqu'elle s'allume pour la première fois. Saisissez l'ampoule de remplacement avec un chiffon propre et sec. Repérez les deux tiges dans le support de céramique, en tâtant légèrement jusqu'à ce que les deux tiges s'insèrent dans la douille céramique.
8. Appuyez pour asseoir l'ampoule (figure, c).

9. Faites glisser la lentille de protection dans le clip du support et poussez l'autre extrémité jusqu'à ce que le clip de fixation s'enclenche dans le boîtier (figure, d).



10. Allumez le disjoncteur.

Dépannage

Vous pouvez éliminer vous-même les défauts mineurs de votre appareil. Veuillez lire les informations sur l'élimination des défauts avant de contacter le service à la clientèle. Cela peut éviter des frais de réparation inutiles.

Symptôme	Cause possible	Solution
Allumage intermittent de l'allumeur	<ul style="list-style-type: none"> L'allumeur en céramique est humide ou sale. Les orifices du brûleur sont obstrués. 	<ul style="list-style-type: none"> Séchez ou nettoyez soigneusement l'allumeur. Nettoyez les orifices du capuchon de brûleur à l'aide d'un fil métallique, d'une aiguille, ou d'un trombone déplié.
Plus de quatre clics d'allumeur avant l'allumage	<ul style="list-style-type: none"> Mauvais ajustement du chapeau du brûleur sur la base du brûleur. 	<ul style="list-style-type: none"> Alignez correctement le chapeau du brûleur sur la base du brûleur.
Allumage constant d'étincelles	<ul style="list-style-type: none"> La cuisinière n'est pas correctement mise à la terre. L'alimentation électrique n'est pas polarisée correctement. 	<ul style="list-style-type: none"> Reportez-vous aux instructions d'installation. Faites mettre correctement la cuisinière à la terre par un électricien qualifié.
Les allumeurs produisent des étincelles mais pas d'allumage de flamme.	<ul style="list-style-type: none"> La vanne d'alimentation en gaz est en position « OFF (ARRÊT) ». 	<ul style="list-style-type: none"> Rétablissez l'alimentation en gaz de l'unité.
La cuisinière ne fonctionnera pas (les lumières, le four et les brûleurs de surface ne s'allumeront pas)	<ul style="list-style-type: none"> Pas d'alimentation à l'unité. Le four est en mode Sabbat. 	<ul style="list-style-type: none"> Vérifiez si le disjoncteur est ouvert. Vérifiez que la connexion de la ligne d'alimentation est connectée à la tension appropriée. Vérifiez que le four n'est pas en mode sabbat. Reportez-vous à la section « Utilisation du four » du Guide d'utilisation et d'entretien.
Le four fonctionne sur la cuisson mais ne fonctionne pas sur la cuisson minutée	<ul style="list-style-type: none"> Minuterie mal réglée. 	<ul style="list-style-type: none"> Réglez la minuterie comme indiqué dans le Guide d'utilisation et d'entretien.
La lumière du four ne s'allume pas.	<ul style="list-style-type: none"> La lumière du four est grillée. 	<ul style="list-style-type: none"> Remplacez l'ampoule du four comme indiqué dans le Guide d'utilisation et d'entretien.
La porte ne s'ouvre pas.	<ul style="list-style-type: none"> Le four est toujours en mode d'autonettoyage. 	<ul style="list-style-type: none"> Si le four est chaud, le loquet de la porte se relâche lorsque la température sécuritaire est atteinte.
Les aliments dans le four ne cuisent pas uniformément.	<ul style="list-style-type: none"> L'appareil n'est pas de niveau. 	<ul style="list-style-type: none"> Reportez-vous aux instructions d'installation pour savoir comment mettre à niveau l'appareil.
De l'air chaud sort de l'appareil.	<ul style="list-style-type: none"> Il est normal que le processus de refroidissement pousse l'air chaud dans la pièce lorsque le four est allumé. Pendant différents modes, la vitesse du ventilateur augmentera et diminuera. 	<ul style="list-style-type: none"> Cela est normal.

Des informations de service

Nous sommes heureux de vous aider avec les instructions de nettoyage et d'entretien, les accessoires, le dépannage, la planification des visites de service et plus encore.

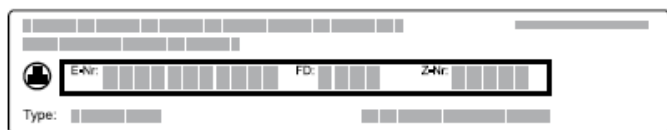
Parcourez nos ressources en ligne, telles que les FAQ et les vidéos pratiques, ou appelez-nous.

Contactez le support à la clientèle

États-Unis	Canada
1-800-735-4328	
www.thermador.com/us/support/customer-care	www.thermador.ca/en/support/customer-care

Numéro de produit (E-Nr.), numéro de production (FD) et Z-Nr.

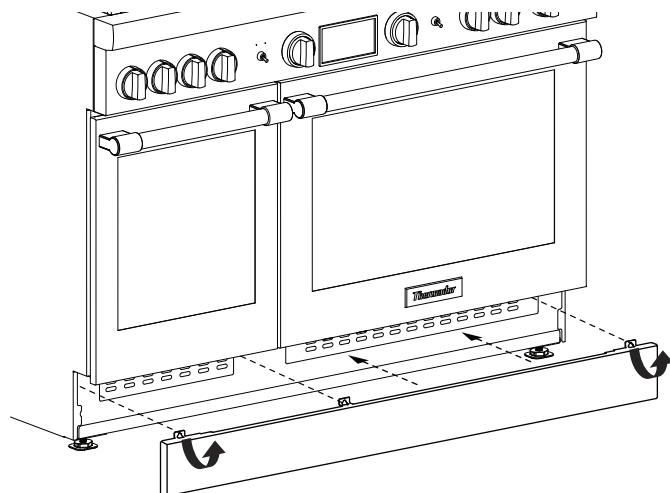
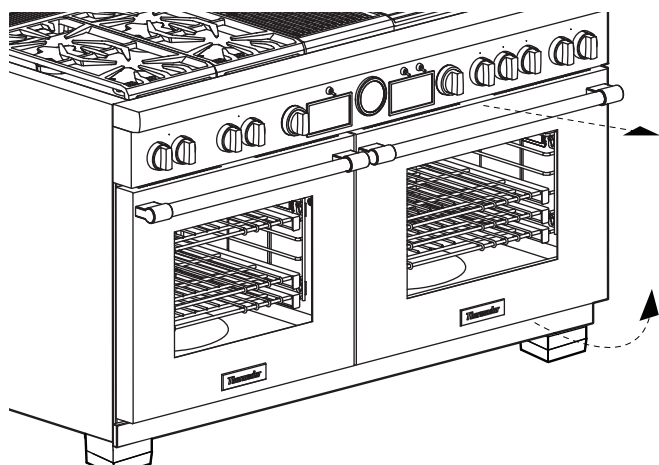
Veuillez noter le numéro de produit (E-Nr.), Le numéro de production (FD) et la numérotation consécutive (Z-Nr.) De votre appareil.



Ces informations figurent sur la plaque signalétique de l'appareil.

Emplacement de la plaque signalétique

La plaque signalétique indique le modèle et le numéro de série de votre appareil. Selon votre modèle, les plaques signalétiques sont situées au-dessus du four principal ou derrière la plaque de protection.



Connexion au service à la clientèle à distance

En cas d'erreur, le Service à la clientèle peut accéder à l'appareil électroménager par la connexion Home Connect™.

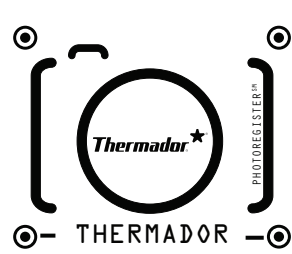
Accorder l'accès au service à la clientèle à l'appareil

1. Communiquez avec le service à la clientèle. Respectez les directives données par le technicien.
2. Appuyez sur ENTRÉE (ENTER) pour octroyer l'accès au service d'assistance technique.

Enregistrement de produit

Enregistrez le produit BSH pour assurer une réparation en temps opportun et avoir accès à l'information liée au produit.

Vous pouvez enregistrer votre produit de plusieurs manières :

- Inscrivez-vous avec votre téléphone (aux É.-U. seulement).
 1. Prenez une photo de l'icône de la caméra sur la carte d'enregistrement, y compris les points (●).
 2. Envoyez la photo par texto au numéro 21432. (É.-U. seulement, des frais de messagerie et de données peuvent s'appliquer.)
- Postez la carte d'enregistrement du produit remplie à l'adresse imprimée sur la carte.
- Enregistrez votre produit en ligne à www.thermador.com.
- Appelez-nous au service à la clientèle de Thermador au 1-800-735-4328.

Déclaration de garantie limitée du produit

Ce que couvre cette garantie et à qui elle s'applique

La garantie limitée fournie par BSH Home Appliances (« Thermador ») dans cet énoncé de garantie limitée s'applique seulement à l'appareil Thermador qui vous a été vendu (« Produit »), pour autant que le produit ait été acheté :

- Pour une utilisation normale résidentielle (non commerciale), et qu'il a été utilisé en tout temps pour un usage domestique normal.
- Neuf au moment de la vente au détail (non en montre, « tel quel » ou un modèle retourné antérieurement), qu'il n'est pas destiné à la revente ni à un usage commercial.
- Aux États-Unis ou au Canada et qu'il est demeuré en tout temps dans le pays où l'appareil a été acheté.

Les garanties énoncées dans le présent document s'appliquent à l'acheteur original du produit sous garantie et à tout propriétaire successif du produit acheté pour une utilisation résidentielle habituelle et la durée de la garantie.

Assurez-vous de renvoyer la carte d'enregistrement; bien que cette démarche ne soit pas nécessaire pour que la garantie soit valide, c'est la meilleure façon de permettre à Thermador de vous avertir dans l'éventualité improbable d'un avis de sécurité ou d'un rappel du produit.

Combien de temps dure la garantie

Thermador garantit que le produit est exempt de défaut de matériau et de fabrication pour une période de sept cent trente (730) jours à compter de la date d'achat. La période susmentionnée commence à partir de la date d'achat et ne doit pas être retenue, retardée, prolongée, ou interrompue pour une raison quelconque.

Ce produit est également garanti comme étant exempt de défaut esthétique au niveau du matériau et de la fabrication (par ex d'égratignures sur l'acier inoxydable, d'imperfections au niveau de la peinture/porcelaine, d'éclats, de bosses ou autres dommages à la finition du produit), pour une période de soixante (60) jours à partir de la date d'achat ou de la date limite pour une construction neuve. La présente garantie esthétique exclut les variations légères de couleur causées par les différences inhérentes entre les sections peintes et les sections en porcelaine, de même que les différences causées par l'éclairage de la cuisine, l'emplacement du produit et autres facteurs similaires. Cette garantie cosmétique exclut spécifiquement tous les appareils ménagers d'exposition, sur place, « tels quels » ou remis à neuf.

Réparez / remplacez comme votre recours exclusif

Pendant cette période de garantie, Thermador ou l'un de ses centres de réparations autorisés réparera gratuitement votre Produit (sous réserve de certaines restrictions aux présentes) si celui-ci présente des défauts de matériels ou de fabrication. Si des tentatives raisonnables pour réparer le produit sont vaines, alors Thermador remplacera le produit (un modèle supérieur peut être offert, à la seule discrétion de Thermador, moyennant des frais supplémentaires). Rien dans cette garantie n'exige que les pièces endommagées ou défectueuses soient remplacées par des pièces d'un type ou d'une conception différent de la pièce d'origine. Toutes les pièces ou les composants enlevés demeurent la seule propriété de Thermador. Toute pièce remplacée et/ou réparée remplacera la pièce d'origine aux fins de la présente garantie et la garantie ne sera pas prolongée en regard de telles pièces. La seule responsabilité de Thermador, en vertu des présentes, se limite à la réparation des produits défectueux au départ de l'usine, par le biais d'un fournisseur de services agréé Thermador pendant les heures de travail normales. Pour la sécurité et éviter des dommages matériels, Thermador recommande fortement de ne pas réparer le produit soi-même ni de le faire réparer par un centre de réparation non-autorisé; Thermador ne sera pas tenue responsable de réparations ou de travail effectués par un centre de réparation non autorisé. Les centres de réparation autorisés sont les personnes ou les entreprises qui ont été spécialement formées sur les produits Thermador et qui possèdent, selon l'opinion de Thermador, une réputation supérieure pour le service après-vente et la capacité technique (il est à noter qu'elles sont des entités indépendantes et non des agents, partenaires, affiliés ou représentants de Thermador).

Nonobstant ce qui suit, Thermador ne sera pas tenue responsable d'aucune façon si le produit est situé dans une région éloignée (supérieure à 100 miles d'un centre de réparation autorisé) ou n'est pas accessible de façon raisonnable, dans un environnement ou un local dangereux, menaçant ou périlleux; dans une telle éventualité, à la demande du consommateur, Thermador pourrait encore payer les frais de main-d'œuvre et de pièces et expédier les pièces au centre de réparation autorisé le plus près, mais le consommateur serait entièrement responsable pour tous les frais de déplacement et autres frais spéciaux encourus par le centre de réparation, en autant qu'il accepte la demande de réparation.

Produit hors garantie

Thermador n'a aucune obligation, aux termes de la loi ou autrement, d'offrir toute concession, incluant réparation, prorata ou remplacement de produit une fois la garantie expirée.

Exclusions de garantie

La couverture de garantie décrite dans les présentes exclut tous les défauts ou dommages pour lesquels Thermador serait directement imputable, y compris, sans s'y limiter, l'un ou plusieurs des cas suivants :

- Utilisation du produit autre qu'un usage normal, habituel et de la façon destinée (incluant, sans s'y limiter, toute forme d'utilisation commerciale, d'utilisation ou de rangement d'un produit pour l'intérieur à l'extérieur, d'utilisation du produit de concert avec un transporteur aérien ou marin).
- Inconduite, négligence, mauvaise utilisation, abus, accidents, fonctionnement inadéquat, mauvais entretien, installation inadéquate ou négligente, altération, non-respect des instructions de fonctionnement, mauvaise manipulation, réparation non autorisée (incluant réparation par le consommateur ou exploration du fonctionnement interne du produit), de toutes les parties, et ce, de façon délibérée.
- Réglage, modification ou altération de tout type.
- Non-conformité aux normes fédérales, territoriales, provinciales, étatiques, municipales ou électriques en vigueur au pays, aux codes de plomberie ou du bâtiment, aux réglementations ou aux lois, incluant le non-respect d'installer le produit en stricte conformité avec les codes et les réglementations du bâtiment et d'incendie locaux.
- Bris et usure normaux, déversements d'aliments ou de liquides, accumulations de graisse ou d'autres substances dans, sur ou autour du Produit.
- Toute force ou tout facteur externe, élémentaire et/ou environnemental, incluant sans limitation, la pluie, le vent, le sable, les inondations, les incendies, les coulées de boue, le gel, l'humidité excessive ou l'exposition prolongée à l'humidité, la foudre, les surtensions, les problèmes de structure autour de l'appareil et les désastres naturels.

En aucun cas, Thermador ne sera tenue responsable de dommages survenus à la propriété environnantes, incluant les armoires, les planchers, les plafonds et les autres objets ou structures situés autour du produit. Sont également exclus de la garantie : les produits dont les numéros de série ont été modifiés, effacés ou enlevés ; les visites d'entretien visant à enseigner le fonctionnement du produit et les visites menées à bien en l'absence de problème avec le produit ; la correction de problèmes d'installation (le consommateur est seul responsable de toute structure et de tout réglage du produit, y compris en ce qui concerne l'électricité, la plomberie et autres raccordements nécessaires, pour des fondations/un plancher approprié(es), et pour toute modification

incluant, sans limitation, les armoires, les murs, les planchers, les tablettes, etc.), la remise en marche des disjoncteurs ou le remplacement des fusibles.

DANS LA MESURE AUTORISÉE PAR LA LOI, CETTE GARANTIE EXPOSE VOS RECOURS EXCLUSIFS EN CE QUI CONCERNE LE PRODUIT, QUE LA RÉCLAMATION SOIT CONTRACTUELLE OU DÉLIT (Y COMPRIS LA RESPONSABILITÉ STRICTE OU LA NÉGLIGENCE) OU AUTRE. LA PRÉSENTE GARANTIE REMPLACE TOUTES LES AUTRES GARANTIES, EXPRESSES OU IMPLICITES. TOUTES GARANTIES IMPLICITES AUX TERMES DE LA LOI, QUE SE SOIENT LES GARANTIES DE QUALITÉ MARCHANDE OU D'APTITUDE À UN USAGE PARTICULIER, OU AUTRES, SONT LIMITÉES DANS LE TEMPS À LA DURÉE DE LADITE GARANTIE LIMITÉE EXPRESSE. LE FABRICANT NE SERA EN AUCUN CAS RESPONSABLE DE DOMMAGES CONSÉCUTIFS, SPÉCIAUX, ACCESSOIRES, INDIRECTS OU DE « PERTES COMMERCIALES » ET / OU DE DOMMAGES PUNITIFS, DE PERTES OU DE DÉPENSES, Y COMPRIS SANS S'Y LIMITER, ABSENCE DU TRAVAIL, FRAIS D'HÔTEL ET / OU FRAIS DE RESTAURANT, FRAIS DE REMANIEMENT EN EXCÉDENT DES DOMMAGES DIRECTS QUI SONT DÉFINITIVEMENT CAUSÉS EXCLUSIVEMENT PAR THERMADOR, OU AUTREMENT. CERTAINS ÉTATS N'AUTORISENT PAS L'EXCLUSION OU LA LIMITATION DE DOMMAGES ACCESSOIRES OU CONSÉCUTIFS, ET CERTAINS ÉTATS N'AUTORISENT PAS LA LIMITATION DE LA DURÉE DES GARANTIES IMPLICITES. PAR CONSÉQUENT, LES EXCLUSIONS OU LES LIMITES SUSMENTIONNÉES POURRAIENT NE PAS VOUS CONCERNER. CETTE GARANTIE DONNE VOS DROITS LÉGAUX PARTICULIERS ET VOUS POUVEZ ÉGALEMENT AVOIR D'AUTRES DROITS QUI VARIENT D'ÉTAT À ÉTAT.

Aucune tentative de modifier, changer ou amender la présente garantie ne peut être valide sans le consentement écrit autorisé par un dirigeant de BSH.

Obtention du service de garantie

Pour obtenir une réparation sous garantie pour votre produit, communiquez avec le département de service après-vente de Thermador : Appelez le 1-800-735-4328 pour planifier une réparation.

Índice

INSTRUCCIONES DE SEGURIDAD IMPORTANTES	68	Grill de amplia superficie	90
Definiciones de seguridad	68	Hornear con aire caliente por convección	90
Para familiarizarse con el aparato	73	Convección verdadera	92
Identificación del exterior del electrodoméstico	73	Leudar	92
Identificación del interior del horno	74	Asar	92
Antes usar por primera vez	76	Home Connect	93
Montar las guías de rejillas	76	Configurar Home Connect	93
Montar las rejillas Full Access®	76	Ajustar el inicio remoto	94
Montar las rejillas planas	76	Configurar el control remoto	94
Colocar las tapas de los quemadores	77	Diagnóstico remoto	94
Comprobar la colocación de las tapas de los quemadores	77	Cuidado y mantenimiento	95
Instalar las rejillas de los quemadores	77	Ajustar el horno al modo de autolimpieza	95
Utilizar de la parrilla de gas	79	Limpiar el aparato	96
Encender los quemadores	79	Sustituir el foco del horno	96
Manejar los quemadores ExtraLow®	79	Solución de problemas	98
Manejar los quemadores POWERBOOST®	79	Información del Servicio técnico	99
Preparar la plancha	79	Conexión remota del Servicio técnico	99
Manejar la plancha	79	Registro de productos	99
Recomendaciones de la parrilla de gas	80	Declaración de garantía limitada del producto	100
Recomendaciones de cocción con el quemador STAR	80	Qué cubre esta garantía y a quiénes se aplica	100
Recomendaciones de cocción con la plancha	82	Duración de la garantía	100
Usar el horno	83	Reparación/sustitución como único recurso	100
Descripciones de los modos	83	Producto fuera de garantía	101
Inicio para poner en funcionamiento	84	Exclusiones de la garantía	101
Ajustes disponibles	84	Obtener el servicio técnico adscrito a la garantía	101
Asistente Home Connect®	85		
Ajustar la conversión a aire caliente	85		
Ajustar la compensación del horno	85		
Ajustar el modo de cocción y la temperatura	86		
Ajustar los temporizadores	86		
Ajustar el precalentamiento rápido	87		
Ajustar el bloqueo del panel	87		
Ajustar el horno para leudar	87		
Ajustar el modo para conservar calientes los alimentos	87		
Programar la sonda para carne	87		
Ajuste del modo Sabbath	88		
Iniciar con inicio remoto	89		
Recomendaciones del horno	90		
Posiciones de las rejillas del horno	90		
Hornear	90		

This Thermador® appliance is made by
 BSH Home Appliances Corporation
 1901 Main Street, Suite 600
 Irvine, CA 92614

Questions?
 1-800-735-4328
 www.thermador.com

We look forward to hearing from you!

⚠ INSTRUCCIONES IMPORTANTES DE SEGURIDAD

LEER Y CONSERVAR ESTAS INSTRUCCIONES

Esta guía de uso y mantenimiento explica los aspectos básicos del manejo del aparato y otras medidas de seguridad que es preciso seguir. Para obtener información relativa a una instalación completa y segura, consultar las instrucciones de instalación que se incluyen con el aparato.

Todos los manuales de productos están disponibles en línea para su descarga en www.thermador.com/us/support/owner-manuals o www.thermador.ca/en/support/owner-manuals.

INSTALADOR: se ruega dejar estas instrucciones con esta unidad para el propietario.

PROPIETARIO: se ruega conservar estas instrucciones para consultar en el futuro. Leer íntegramente las instrucciones antes de utilizar el aparato. El instalador debe mostrar al usuario dónde se encuentran el breaker del circuito eléctrico y la llave de cierre del gas, para que sepa dónde puede desconectar el suministro eléctrico y de gas del aparato.

Definiciones de seguridad

⚠ **ADVERTENCIA:** No respetar esta indicación puede producir lesiones graves o la muerte.

⚠ **PRECAUCIÓN:** No respetar esta indicación puede producir lesiones leves o moderadas.

ATENCIÓN: No respetar esta indicación puede producir daños materiales o en el aparato.

Nota: alerta sobre información y/o consejos importantes.

ADVERTENCIA

No poner a funcionar nunca la sección superior de la superficie de cocción del aparato sin vigilancia.

- El incumplimiento de esta advertencia podría causar incendios, explosiones o quemaduras que podrían provocar daños materiales, personales e incluso la muerte.
- Si se produce un incendio, mantenerse alejado del aparato y llamar de inmediato a los bomberos. **NO INTENTAR EXTINGUIR CON AGUA UN INCENDIO PROVOCADO POR ACEITE O GRASA.**



ADVERTENCIA: Si no se sigue exactamente la información de este manual, se puede producir un incendio o una explosión que pueden causar daños materiales, lesiones personales o la muerte.

- **NO almacenar o usar gasolina u otros vapores y líquidos inflamables en las proximidades de este aparato, o de cualquier otro.**
- **QUÉ HACER SI SE DETECTA OLOR A GAS**
 - **NO intentar encender ningún aparato.**
 - **NO tocar ningún interruptor eléctrico.**
 - **NO usar ningún teléfono en su edificio.**
 - **Llamar inmediatamente al proveedor de gas desde el teléfono de un vecino. Seguir las instrucciones del proveedor de gas.**
 - **Si no es posible establecer contacto con su proveedor de gas, comunicarse con el departamento de bomberos.**
- **La instalación y el mantenimiento deben correr a cargo de un instalador calificado, una empresa de servicios o un proveedor de gas.**

ADVERTENCIA—TODOS LOS APARATOS

- **Instalación apropiada:** – Asegurarse de que un técnico calificado instale correctamente el aparato, con puesta a tierra.
- No utilizar bajo ninguna circunstancia el aparato para entibiar o calentar una habitación.
- **No dejar a los niños sin supervisión** – No se debe dejar a los niños solos o desatendidos en la zona donde el aparato esté en uso. Nunca debe permitirse que se suban al aparato o se sienten en ninguna parte del mismo.
- **Llevar ropa apropiada** – Nunca deben utilizarse prendas holgadas ni sueltas mientras utiliza el aparato.

⚠ INSTRUCCIONES IMPORTANTES DE SEGURIDAD

LEER Y CONSERVAR ESTAS INSTRUCCIONES

ADVERTENCIA—TODOS LOS APARATOS

- **Mantenimiento por parte del usuario:** – No reparar ni modificar parte alguna del aparato a menos que se recomiende específicamente en este manual. Si se necesita llevar a cabo cualquier otro tipo de servicio técnico, consultar con un técnico calificado.
- **Almacenamiento en el aparato** – No deben almacenarse materiales inflamables cerca del aparato o en su interior. Para eliminar el riesgo de sufrir quemaduras o que se produzca un incendio al alcanzar unidades cuya superficie esté caliente, se deberá evitar colocar gabinetes de almacenamiento encima de las unidades de superficie.
- **No usar agua para apagar fuegos causados por grasa** – Sofocar el fuego o la llama o usar un polvo químico o un extintor de espuma.
- **Utilizar solo agarradores de ollas secos** – Los agarradores de ollas húmedos o mojados sobre las superficies calientes pueden ocasionar quemaduras por vapor. No dejar que los agarradores de ollas entren en contacto con elementos de calentamiento que estén calientes. No usar toallas ni otros paños gruesos.

ADVERTENCIA: UNIDADES DE COCCIÓN DE SUPERFICIE

- **Usar sartenes del tamaño apropiado** – Este aparato puede estar equipado con uno o más quemadores de superficie de diversos tamaños. Seleccionar recipientes para cocinar que tengan una base plana y que sean lo suficientemente grandes como para cubrir la superficie del quemador. Si se usan utensilios de un tamaño inferior al adecuado, una parte del quemador quedará expuesta al contacto directo y podría provocar que arda la ropa. Una adecuada relación de los recipientes para cocinar con respecto a los quemadores también contribuye a incrementar la eficiencia.
El tamaño de la llama no debe sobrepasar el borde del recipiente para cocinar. Esta indicación se fundamenta en consideraciones de seguridad.
- **No dejar nunca los quemadores de superficie encendidos a gran potencia sin supervisión:** los derrames causan humaredas, y las salpicaduras de grasa pueden prenderse fuego.
- **Si procede, asegurarse de utilizar bandejas de goteo** – Si no se utilizan estas bandejas en el cocinado, el cableado o los componentes que hay por debajo de la superficie del aparato podrían resultar dañados.

ADVERTENCIA: UNIDADES DE COCCIÓN DE SUPERFICIE

- **Recubrimientos de protección** – No usar papel de aluminio para forrar la base del horno. Una colocación incorrecta de estos recubrimientos podría producir un riesgo de descarga eléctrica o fuego.
- **Recipientes de cocina vitrificados:** solo son adecuados para su uso en placas de cocción o placas de gas algunos tipos de utensilios de vidrio, vidrio y cerámica, cerámica, loza y otros materiales, puesto que existe un riesgo de rotura debido al cambio brusco de temperaturas.
- **Los mangos de los utensilios deben quedar orientados hacia el interior del aparato y no sobresalir por las unidades de superficie adyacentes** – Para reducir el riesgo de quemaduras, la ignición de materiales inflamables o los derrames por un contacto no intencionado con los utensilios, el mango de los utensilios deben colocarse de manera que apunten hacia el interior y no sobresalgan sobre unidades de superficie adyacentes.
- **Limpiar la placa de cocción con precaución** – Si se usa una esponja húmeda para secar el derrame en un nivel de cocción caliente, tener cuidado de no quemarse también con el vapor. Algunos limpiadores producen emanaciones nocivas si se aplican en una superficie caliente.
- **No poner en remojo los elementos calentadores extraíbles** – Los elementos calentadores no deben sumergirse nunca en agua.

ADVERTENCIA—SUPERFICIES DE COCCIÓN VITROCERÁMICAS

No cocinar en una placa de cocción rota – Si la placa de cocción se rompe, las disoluciones de limpieza y los derrames podrían penetrar en la placa de cocción rota y provocar una descarga eléctrica. Contactar de inmediato con un técnico calificado.

ADVERTENCIA—SUPERFICIES DE INDUCCIÓN

No colocar en la superficie de cocción objetos metálicos como cuchillos, tenedores, cucharas o tapaderas, ya que pueden calentarse.

ADVERTENCIA—USO DE FREIDORAS

Proceder con extrema precaución al mover un recipiente lleno de grasa o al eliminarla.

⚠ INSTRUCCIONES IMPORTANTES DE SEGURIDAD

LEER Y CONSERVAR ESTAS INSTRUCCIONES

ADVERTENCIA—HORNOS

- **Tener cuidado al abrir la puerta** – Dejar salir el aire caliente o el vapor antes de sacar o sustituir la comida.
- **No calentar recipientes de comida sin abrir** – La acumulación de presión en el interior puede hacer que revienta el recipiente y causar lesiones.
- **Mantener los conductos de ventilación del horno libres de obstrucciones.**
- **Sustitución de las rejillas del horno** – Colocar siempre las rejillas del horno en la posición deseada cuando el horno está frío. Si es necesario mover la rejilla cuando el horno está caliente, evitar que el agarrador de ollas entre en contacto con la resistencia caliente del horno.

ADVERTENCIA—HORNOS CON FUNCIÓN DE AUTOLIMPIEZA

- **No limpiar la junta de la puerta** – La junta de la puerta es fundamental para un buen cierre. Es preciso extremar la precaución para no frotar, dañar ni mover la junta.
- No utilizar un recubrimiento de protección para revestir el horno ni utilizar limpiadores comerciales para hornos, a menos que estén autorizados para su uso en hornos con autolimpieza.
- Limpiar solo las piezas enumeradas en el manual.
- No dejar en el horno alimentos, recipientes de cocina, etc., durante el modo de autolimpieza por pirólisis.
- Es preciso tener en cuenta que algunos humanos o mascotas pueden ser sensibles a los olores que se generan durante el proceso de autolimpieza por pirólisis, que pueden deberse a la combustión de restos de comida o procedentes de la producción. Se recomienda que las personas o mascotas que puedan verse afectadas por este proceso abandonen la cocina durante el proceso de autolimpieza.

ADVERTENCIA

No cubrir **NUNCA** ninguna ranura, agujero ni conducto de la base del horno, ni tapar una rejilla completa con materiales como, por ejemplo, papel de aluminio; de hacerlo, se bloqueará el flujo de aire del horno y podría producirse una intoxicación por monóxido de carbono. Los revestimientos de papel de aluminio también pueden atrapar el calor, lo que genera un riesgo de incendio.

PRECAUCIÓN

No guardar artículos que atraigan el interés de los niños sobre el aparato ni en la parte trasera de este; si los niños se suben al aparato para alcanzar estos artículos, podrían lesionarse gravemente.

ADVERTENCIA—CAMPANAS EXTRACTORAS

- Limpiar las campanas extractoras con frecuencia – No debe permitirse que se acumule grasa en la campana ni en el filtro.
- El aparato no debe instalarse con un sistema de ventilación que dirija el aire en dirección descendente hacia el aparato. Este tipo de ventilación podría causar problemas de ignición y combustión en el aparato de cocción de gas, con lo que se podrían producir lesiones, daños materiales o un funcionamiento no deseado. No hay restricciones para sistemas de ventilación que dirijan el aire hacia arriba. No se debe usar conjuntamente con una estufa de gas una cortina de aire ni otro tipo de campana extractora suspendida que funcione impulsando un flujo de aire descendente sobre una cubierta, a no ser que la campana extractora y la cubierta se hayan diseñado y probado de acuerdo con la norma para cubiertas de gas domésticas Standard for Domestic Gas Ranges, ANSI Z21.1 • CSA 1.1, y hayan sido catalogadas por un laboratorio de pruebas independiente de cara a su uso combinado.
- Al flambear alimentos debajo de la campana, encender siempre el ventilador.

ADVERTENCIA—EN CASO DE FALLA ELÉCTRICA



Si una perilla de control de gas está encendida y no hay energía eléctrica para hacer funcionar los dispositivos electrónicos de ignición para los quemadores, **APAGAR** la perilla de control de gas y esperar cinco minutos a que se disipe el gas antes de encender el quemador manualmente.

Para encender manualmente los quemadores, sostener un cerillo encendido junto a los puertos del quemador y girar la perilla de control de gas a la posición HI (nivel alto). Si se produce una falla eléctrica, se pueden utilizar los quemadores normales, pero deben encenderse con un cerillo.

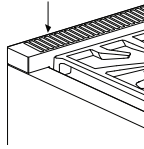
No tratar de encender manualmente un quemador XLO®. Estos quemadores están equipados con la función ExtraLow® y no se pueden encender a mano.

⚠ INSTRUCCIONES IMPORTANTES DE SEGURIDAD

LEER Y CONSERVAR ESTAS INSTRUCCIONES

ADVERTENCIA—FLUJO DE AIRE

- No bloquear ni obstruir el flujo de aire por las aberturas de ventilación. La abertura de ventilación se encuentra en la parte trasera del aparato. Esta abertura debe mantenerse libre de obstrucciones y abierta, para que se genere el flujo de aire necesario para un funcionamiento correcto.
- No tocar la zona de la abertura de ventilación mientras esté encendido el aparato, ni tampoco durante los minutos siguientes al apagado; algunos de sus componentes y zonas aledañas se calientan lo bastante como para causar quemaduras. Dejar que pase tiempo suficiente para que se enfríe el aparato antes de tocar o limpiar áreas de ventilación.
- No colocar elementos de plástico o termosensibles cerca de la zona de ventilación, ya que podrían derretirse o prenderse en llamas.
- Para garantizar una ventilación apropiada de la cubierta, no se deben quitar las patas.



No permitir que sondas para carne u otros utensilios entren en contacto con los elementos calentadores.

No utilizar el accesorio de plancha para cocinar carnes muy grasas o productos que puedan prenderse en llamas.

Al cocinar alimentos grasos o aceitosos en los quemadores, la plancha o la parrilla, los quemadores de gas adyacentes pueden arder y generar humo. Proceder con precaución para evitar las quemaduras.

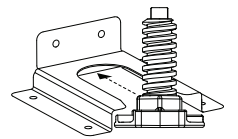
IMPORTANTE: Existe la posibilidad de que la pared trasera se decolore bajo ciertas condiciones de cocción.

NO almacenar ni utilizar productos químicos corrosivos, vapores, materiales inflamables ni productos no alimentarios dentro ni cerca de este electrodoméstico. Está especialmente diseñado para utilizarse mientras se calienta o cocina la comida. El uso de productos químicos corrosivos mientras el aparato calienta o para limpiarlo puede provocar daños y causar lesiones personales.

NO TOCAR LAS UNIDADES DE SUPERFICIE O LAS ÁREAS CERCANAS – Las unidades de superficie pueden seguir calientes aunque estén oscuras. Las zonas próximas a las unidades pueden estar lo suficientemente calientes como para provocar quemaduras. Durante y después del uso, no tocar ni dejar que prendas u otros materiales inflamables entren en contacto con las unidades de superficie o con las áreas próximas a ellas, hasta que haya transcurrido tiempo suficiente para que se enfríen. Entre estas áreas se cuentan la placa de cocción y las superficies frente a ella.

ADVERTENCIA—RIESGO DE QUE SE VUELQUEN LAS CUBIERTAS

- Una cubierta puede volcar y causar heridas. Para evitar que la cubierta vuelque por accidente, fijarla al suelo, a la pared o al mueble instalando la placa de fijación antivuelco que se incluye.
- Si el aparato vuelca sobre un niño o un adulto, puede causarles lesiones graves o incluso la muerte. Comprobar que la placa de fijación antivuelco esté firmemente instalada. Asegurarse de que la placa de fijación antivuelco esté conectada al mover la cocina.
- **NO** manejar el aparato si no está fijada la placa de fijación antivuelco. Si no se siguen las instrucciones de este manual, tanto los niños como los adultos podrían sufrir quemaduras graves o incluso la muerte.
- Si se extrae la cubierta de la pared para su limpieza, su mantenimiento o por cualquier otro motivo, es preciso asegurarse de volver a colocar correctamente la placa de fijación antivuelco al volver a colocar el aparato contra la pared. Si no se sigue esta recomendación, la cubierta podría volcar si se realiza un uso indebido de la misma (p. ej., una persona se sube o se sienta a ella o se deja una puerta abierta). Tanto la propia cubierta como los líquidos calientes que se derramen podrían causar lesiones.
- Comprobar que la instalación sea la adecuada y que se use la placa de fijación antivuelco. Inclinar con cuidado la cubierta jalándola hacia delante desde la parte de atrás para garantizar que la placa de fijación antivuelco sujete las patas del electrodoméstico, con lo que se evitará que vuelque. La cubierta no debe moverse más de 1" (2.5 cm).



NO TOCAR LOS ELEMENTOS DE CALENTAMIENTO NI LAS SUPERFICIES INTERIORES DEL HORNO

– Los elementos de calentamiento pueden estar calientes aunque estén oscuros. Las superficies internas de un horno pueden calentarse lo suficiente como para ocasionar quemaduras. Durante y después de usarse, no se deben tocar los elementos de calentamiento ni las superficies internas del horno, ni dejar que la ropa ni ningún otro material inflamable entre en contacto con estos hasta que haya transcurrido el tiempo suficiente para que se enfríen. Otras superficies del aparato que podrían calentarse lo suficiente para causar quemaduras incluyen las aberturas de ventilación del horno y las superficies adyacentes, además de las ventanas y las puertas del horno.

⚠ INSTRUCCIONES IMPORTANTES DE SEGURIDAD LEER Y CONSERVAR ESTAS INSTRUCCIONES

REQUISITOS Y NORMAS

- El electrodoméstico debe conectarse a tierra conforme a la normativa local o, en ausencia de esta, conforme al Código Eléctrico Nacional (NFPA 70) o al Código Eléctrico de Canadá (CSA C22.1-02).
- La instalación debe realizarse cumpliendo las normas locales o, en ausencia de estas, conforme al Código Nacional de Combustibles Gaseosos (ANSI Z223.1/ NFPA 54) o, si se lleva a cabo en Canadá, al Código de Instalación de Gas Natural y Propano (CSA B149.1).
- La instalación de aparatos diseñados para ser instalados en casas prefabricadas (móviles) deben cumplir con la Norma de Seguridad y Construcción de Casas Prefabricadas, Título 24 CFR, Parte 3280 [antigua Norma Federal de Seguridad y Construcción de Casas Móviles, Título 24, HUD {Parte 280}] o con los códigos locales donde corresponda.
- El montaje de aparatos diseñados para casas móviles debe cumplir con los códigos estatales o de otro tipo o, en ausencia de dichos códigos, con la normativa para casas móviles, ANSI A119.5.
- Véanse las instrucciones de montaje para conocer los requisitos eléctricos, las indicaciones de puesta a tierra y las distancias que se deben mantener con respecto a materiales combustibles.
- Solo un técnico de servicio autorizado puede realizar tareas de mantenimiento.
- Es responsabilidad del propietario y del instalador determinar si se aplican otros requisitos o normas en instalaciones específicas.

REQUISITOS DE GAS

Gas natural columna de agua

Mínimo	7" (17.4 mbar)
Máximo	14" (34.9 mbar)

Gas propano columna de agua

Mínimo	11" (27.4 mbar)
Máximo	14" (34.9 mbar)

- Se debe instalar una válvula manual en una ubicación accesible de la parte de la tubería de gas que está por fuera del aparato para desconectar el suministro de gas en caso necesario.
- Si se desactiva un quemador y hay un escape de gas, abrir una ventana o una puerta. **NO** tratar de utilizar el aparato hasta que el gas haya tenido tiempo para disiparse. Esperar al menos cinco minutos antes de usar el aparato.

- Para instalaciones en Massachusetts:
 - La instalación debe correr a cargo de un contratista, un plomero o un instalador de gas calificado o con licencia del estado, provincia o región donde se vaya a instalar este aparato.
 - La llave de cierre tiene que ser una llave de gas en T.
 - El conector de gas flexible debe tener una longitud no superior a 36 pulgadas (914 mm).
- La profundidad máxima de los muebles instalados por encima de la superficie de cocción debe ser de 13 pulgadas (330 mm).

APARATOS CON CONFIGURACIÓN SMART— FUNCIONAMIENTO REMOTO

Este aparato se puede configurar para permitir su manejo remoto en cualquier momento. No almacenar materiales inflamables o sensibles a la temperatura en su interior, en la parte superior o cerca de las unidades de superficie del aparato.

ADVERTENCIA EN VIRTUD DE LA PROPOSICIÓN 65

Este producto puede contener un producto químico que el Estado de California reconoce como potencialmente cancerígeno o causante de daños reproductivos. Por lo tanto, el producto debe llevar en el embalaje la siguiente etiqueta, de conformidad con la legislación de California:

Advertencia en virtud de la Proposición 65 del Estado de California:

⚠ **ADVERTENCIA**

Cancerígeno o causante de daños reproductivos -
www.P65Warnings.ca.gov

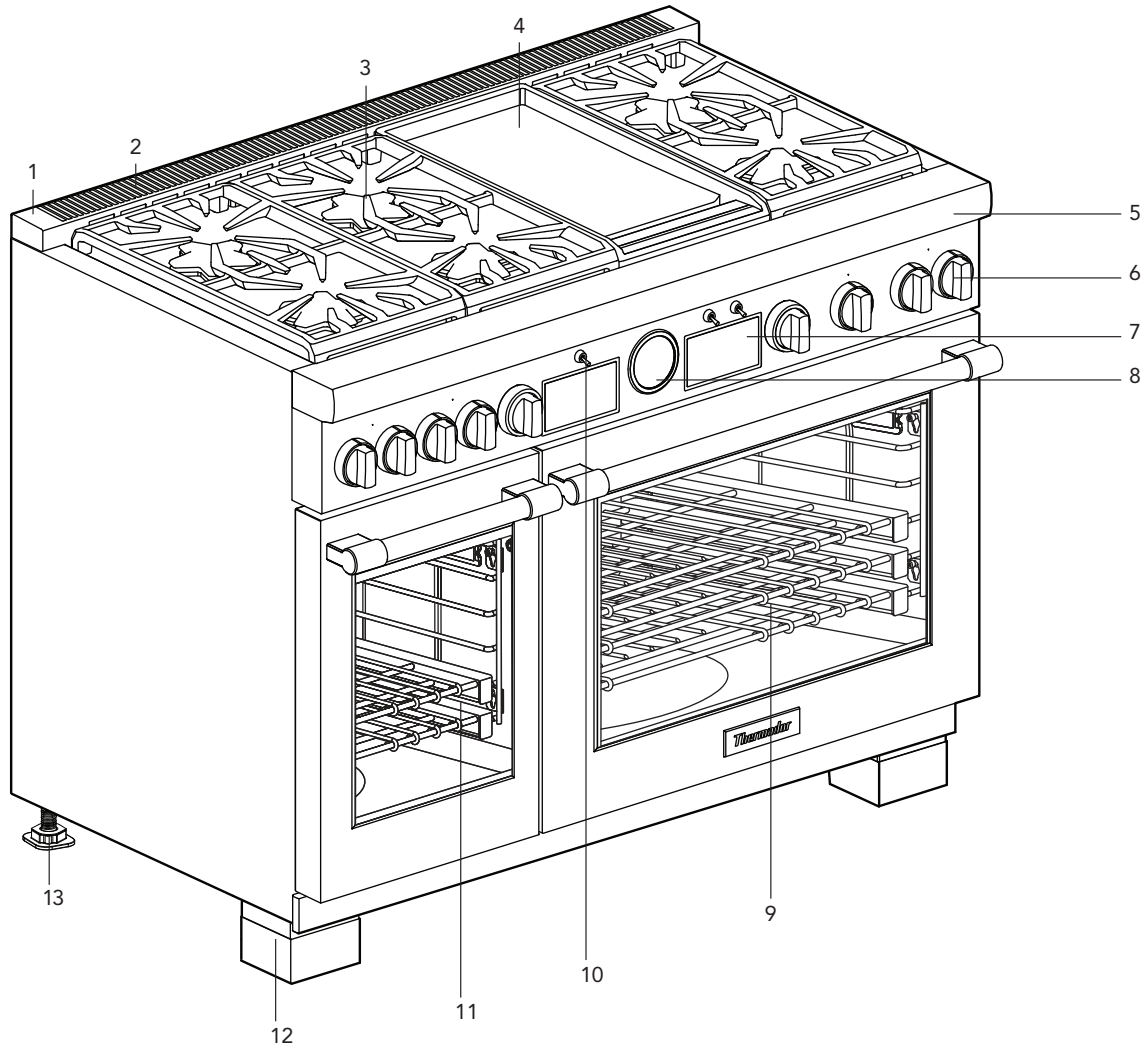
Eliminación de materiales de embalaje

Los materiales de embalaje son respetuosos con el medio ambiente y pueden reciclarse. Clasificar los componentes individuales por categorías y eliminarlos por separado. Las autoridades locales o los distribuidores especializados pueden facilitar información acerca de los métodos disponibles para la eliminación de residuos.

Para familiarizarse con el aparato

Esta guía de uso y mantenimiento abarca varios modelos. Es posible que el modelo adquirido tenga solo algunas de las funciones o pantallas descritas. Todos los gráficos son representativos. La apariencia y las funciones del aparato pueden variar.

Identificación del exterior del electrodoméstico

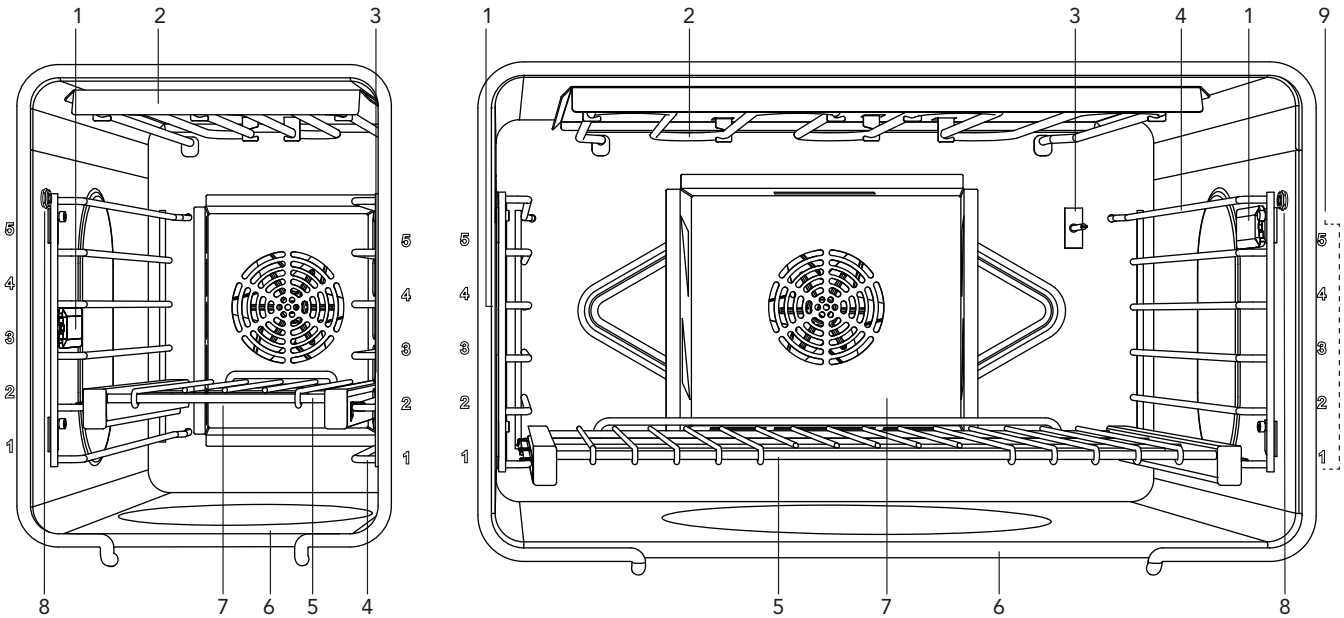


- 1 Moldura para instalación en isla incluida, protector inferior disponible por separado (véanse las instrucciones de instalación para conocer detalles sobre el espacio que debe dejarse por detrás de la estufa al utilizarla con la moldura para instalación en isla).
- 2 Abertura de ventilación del horno (**¡NO** obstruir!)
- 3 Quemadores y rejillas STAR®
- 4 Opción de plancha (opciones variables)
- 5 Panel de control
- 6 Perillas de control
- 7 Panel indicador del horno
- 8 Indicador de temperatura
- 9 Horno principal
- 10 Interruptor de la luz
- 11 Segundo horno auxiliar

- 12 Cubiertas para las patas (solo para modelos Pro Grand; si se requieren cubiertas adicionales para las patas, es posible encargarlas al Servicio de atención al cliente en el número de teléfono 1-800-735-4328, sin costo adicional durante el año siguiente a la fecha de compra del aparato).
- 13 Patas de la estufa (¡No retirar!)

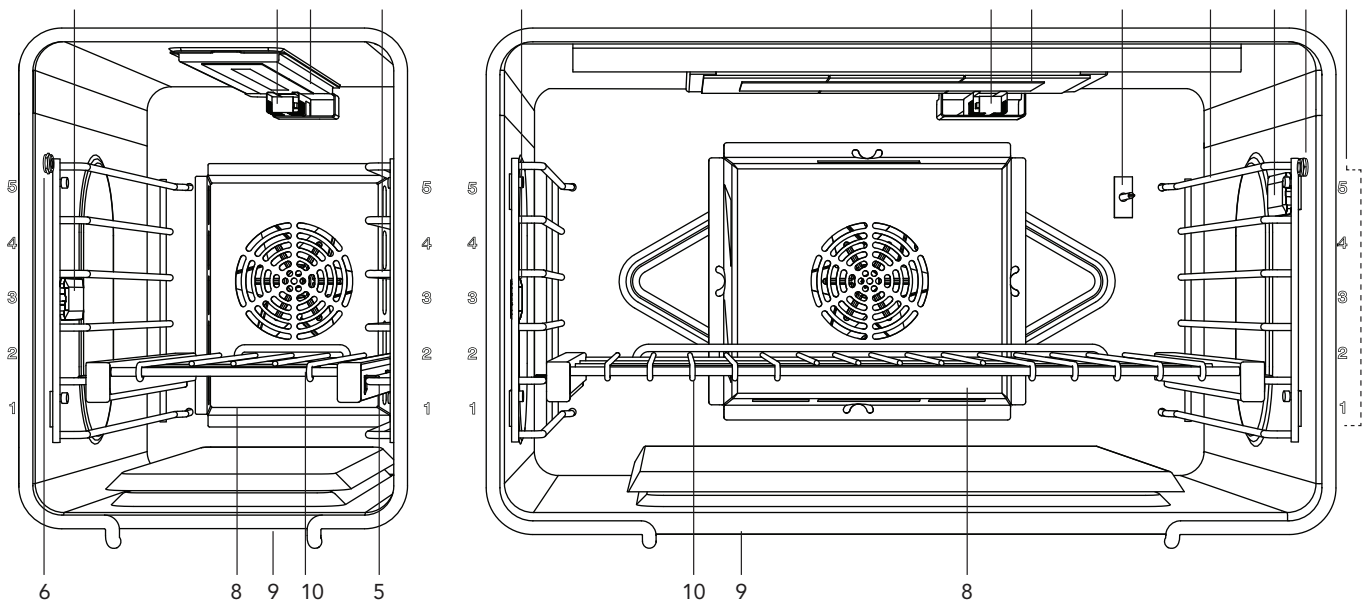
Identificación del interior del horno

Interior de los hornos de dos combustibles



- | | |
|--|--|
| 1 Iluminación interior del horno | 6 Elemento de horneado (oculto) |
| 2 Elemento calefactor del grill de amplia superficie | 7 Cubierta del ventilador de aire caliente |
| 3 Termostato del horno | 8 Toma para la sonda para carne |
| 4 Guías de las rejillas | 9 Posiciones de las rejillas |
| 5 Rejillas del horno | |

Interior de los hornos de gas



- | | |
|--|--|
| 1 Iluminación interior del horno | 6 Toma para la sonda para carne |
| 2 Dispositivo de ignición del grill de amplia superficie | 7 Posiciones de las rejillas |
| 3 Quemador del grill de infrarrojos | 8 Cubierta del ventilador de aire caliente |
| 4 Termostato del horno | 9 Quemador de horneado (oculto) |
| 5 Guías de las rejillas | 10 Rejillas del horno |

Funcionamiento automático del ventilador enfriador

El ventilador enfriador funciona en todos los modos de cocción. Su funcionamiento es bastante audible y es posible sentir el aire caliente que sale por la abertura de ventilación del horno. El ventilador también puede seguir funcionando una vez que el horno esté apagado.

Ventilación del horno

La abertura de ventilación del horno se encuentra en la parte trasera de la unidad. Antes, durante y después de la cocción, puede salir aire caliente por la abertura de ventilación. Es normal observar vapores que salen por la abertura de ventilación y es posible que se acumule condensación en esta zona, que además puede calentarse cuando el horno está en uso. No bloquear la abertura de ventilación, ya que es importante para la circulación del aire.

Ventilador de aire caliente

El ventilador de aire caliente funciona en todos los modos de aire caliente (convección). Cuando el horno funciona con un modo de aire caliente, el ventilador de aire caliente se apaga automáticamente al abrir la puerta. Este ventilador también se pone en marcha durante el ciclo de autolimpieza.

Indicador de temperatura

El indicador de temperatura comenzará a desplazarse hacia el ajuste de temperatura. Este elemento refleja la temperatura ajustada, no la temperatura real del horno.

Al aumentar o reducir el ajuste, la aguja del indicador se desplaza al nuevo valor configurado de temperatura. El indicador cumple únicamente propósitos de referencia.

Antes usar por primera vez

Los gráficos son representativos. El aparato adquirido puede presentar una apariencia distinta.

⚠ ADVERTENCIA

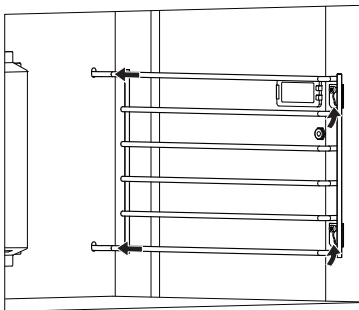
Para evitar quemaduras, no retirar ni recolocar las rejillas del horno cuando este esté encendido o mientras se esté enfriando.

IMPORTANTE:

- Antes de realizar un ciclo de autolimpieza del horno, retirar siempre las rejillas.
- Si las rejillas deslizantes se mantienen en el horno durante la autolimpieza, se echará a perder el lubricante de los mecanismos de deslizamiento de las rejillas y estas acabarán por decolorarse.

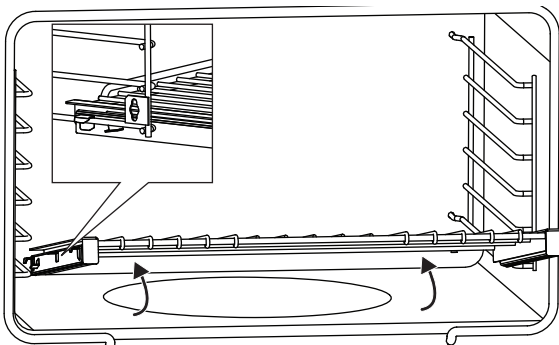
Montar las guías de rejillas

1. Presionar los dos raíles en los orificios de la parte posterior de la cavidad del horno.
2. Deslizar las ranuras clave de la guía por los tornillos guía.
3. En la parte frontal de la cavidad del horno, presionar hacia abajo la parte frontal de la guía de la rejilla para dejar libres las cabezas de los dos tornillos guía.



Montar las rejillas Full Access®

1. Sujetar la rejilla ligeramente en ángulo y colocar los ganchos de seguridad bajo la parte frontal de las guías de la rejilla.

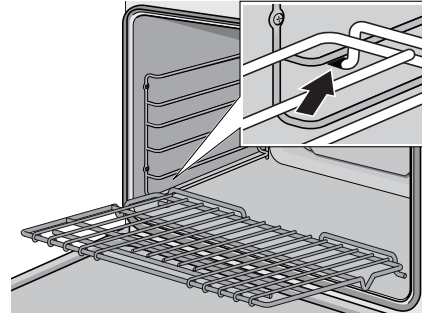


2. Empujar la rejilla hacia el interior del horno y levantar los toques de la rejilla por encima de la parte frontal de las guías.

3. Mantener recta la rejilla.
4. Acabar de introducir la rejilla.
5. Enganchar los ganchos frontales de la rejilla en las guías.

Montar las rejillas planas

1. Sujetar la rejilla firmemente por ambos lados e insertarla.
2. Inclinar la rejilla hacia arriba para que encaje en su guía.



Puesta en funcionamiento del horno

Antes de hornear o de usar el grill de amplia superficie por vez primera, es preciso encender el horno o el grill para eliminar los aceites de producción. Existen dos métodos para ello:

1. Encender el sistema de ventilación de la cocina; si la campana extractora es de recirculación, abrir una ventana.
2. Encender el horno a 450 °F (230 °C) entre 20 y 30 minutos; después, encender el grill de amplia superficie durante un período de tiempo similar.

Alternativamente:

1. Encender el sistema de ventilación de la cocina; si la campana extractora es de recirculación, abrir una ventana.
2. Retirar las rejillas del horno.
3. Ajustar el horno al modo de autolimpieza (solo algunos modelos).

Colocar las tapas de los quemadores

⚠ ADVERTENCIA

Para evitar que se produzcan llamaradas y que se generen subproductos perjudiciales, no utilizar la parrilla de gas hasta que todas las tapas, las bases y las rejillas de los quemadores estén correctamente colocadas.

⚠ ADVERTENCIA

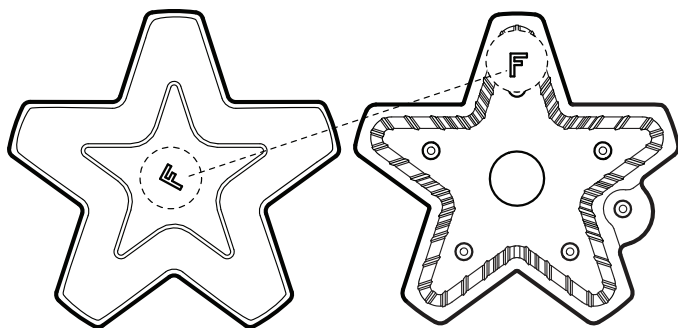
Para evitar quemaduras, no tocar las tapas de los quemadores ni las rejillas cuando estén calientes. Apagar la parrilla de gas y dejar que se enfríen los quemadores.

Las tapas de los quemadores deben estar colocadas correctamente sobre las bases para que la parrilla de gas funcione bien. Si la tapa del quemador no está bien colocada, podrían darse uno o varios de los siguientes problemas:

- Las llamas de los quemadores son demasiado altas.
- Las llamas salen disparadas de los quemadores.
- Los quemadores no se prenden.
- Las llamas del quemador no son uniformes.
- El quemador desprende olor a gas.

Todas las tapas tienen una letra (B, D o F) en el lado inferior de la tapa que corresponde con una letra (B, D o F) en la base del quemador que viene con el electrodoméstico.

1. Colocar todas las tapas de los quemadores en sus bases correctas según indiquen las designaciones de las letras.

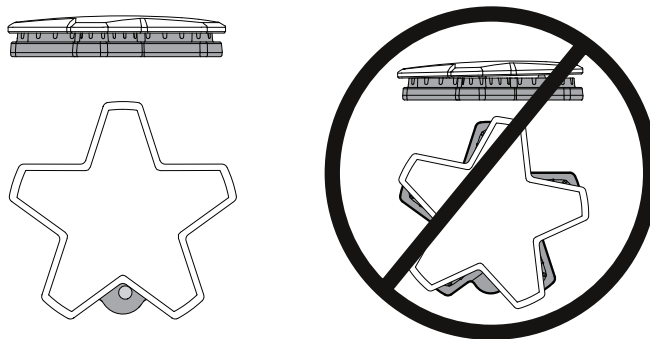


2. Colocar las tapas de los quemadores suavemente sobre las bases de modo que los dientes de estas encajen cómodamente en las ranuras de las tapas.

Comprobar la colocación de las tapas de los quemadores

- Comprobar cada quemador para asegurarse de que no haya ninguna separación entre la tapa y la base.
- Se puede mover con suavidad la tapa del quemador hacia los lados para comprobar si está correctamente colocada sobre su base.

- Si la tapa de un quemador está correctamente colocada, descansa plana de forma horizontal sobre su base y cubre completamente la forma de estrella de esta cuando se le observa desde arriba, como se muestra en la figura siguiente.



Reignición automática

Cada quemador cuenta con su propio dispositivo eléctrico de ignición, que emite chispas cuando se enciende el quemador. Cada quemador debe poder encenderse en cuatro segundos o menos. Si un quemador no se enciende, comprobar que la tapa esté correctamente colocada sobre la base.

Si se apaga algún quemador, el sistema electrónico de ignición se activa para volver a encender la llama. No tocar los quemadores cuando los dispositivos de ignición se encuentren activos.

Para comprobar la altura de la llama y obtener indicaciones de ajuste, véanse las instrucciones de instalación que se incluyen con el aparato.

Instalar las rejillas de los quemadores

1. Colocar las rejillas boca abajo, en horizontal, y alinearlas con el hueco de la parrilla de gas.
2. Las rejillas deben descansar a ras las unas de las otras, contra los laterales del hueco.

IMPORTANTE

- Para garantizar una combustión apropiada, no utilizar la parrilla de gas sin colocar las rejillas de los quemadores.
- Los procesos de combustión e ignición del gas suelen ir asociados a un ligero ruido. Esto es normal.

Falla en el suministro eléctrico

⚠ ADVERTENCIA

En caso de que se produzca una falla eléctrica, girar todas las perillas hasta la posición «OFF». Solo se pueden encender manualmente los quemadores estándar.

Consultar las indicaciones **EN CASO DE QUE SE PRODUZCA UNA FALLA ELÉCTRICA** que aparecen en las INSTRUCCIONES IMPORTANTES DE SEGURIDAD, en page 8 .

Registrar un producto BSH

Se recomienda registrar el producto de BSH para garantizar un servicio técnico oportuno y acceder a la información relacionada con el mismo. Para obtener información sobre el registro del producto, véase la sección «Antes de llamar al Servicio técnico».

Uso de la parrilla de gas

Esta guía de uso y mantenimiento abarca varios modelos. Es posible que el modelo adquirido tenga solo algunos de los modos o funciones descritos.

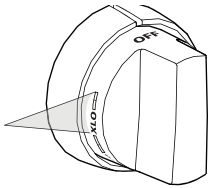
Encender los quemadores

⚠ PRECAUCIÓN

NO tocar los quemadores cuando los dispositivos de ignición estén generando chispas.

1. Presionar la perilla y girarla en sentido opuesto a las agujas del reloj a la posición **HI**.
2. Girar la perilla hasta cualquier ajuste entre **HI** y **LO**.

Manejar los quemadores ExtraLow®



El esquema indica que la perilla de control incorpora un rango de valores adicional después del ajuste XLO; cuando la perilla se encuentra en este rango, la llama se apaga y enciende de forma cíclica.

- El ajuste extrabajo XLO consiste en una sucesión cíclica de períodos de unos 10 segundos con la llama encendida y otros 50 segundos con la llama apagada por cada minuto.
- Si la perilla se ajusta justo por debajo del ajuste XLO, la llama alternará cíclicamente entre períodos de unos 50 segundos encendida y 10 segundos apagada por cada minuto.
- Para variar la cantidad de calor de baja intensidad en función del tipo y la cantidad de alimentos, es posible ajustar un valor cualquiera del rango XLO que aparece marcado en la perilla.

Manejar los quemadores POWERBOOST®

La función POWERBOOST (o XHI) resulta de gran utilidad, ya que permite hervir agua con gran rapidez, sellar piezas de carne, saltear verduras, etc. El uso de los ajustes LO y XLO es similar al del resto de perillas XLO.

Preparar la plancha

⚠ ADVERTENCIA

Para evitar riesgos de lesiones, no utilizar nunca la plancha sin tener colocada su placa correspondiente.

1. Para comprobar el ajuste correcto de la placa para la plancha, echar dos cucharadas soperas de agua en la parte trasera de la misma;
2. si el agua no fluye hasta la parte frontal de la plancha, desplazar la placa hacia un lado.
3. Ajustar los dos tornillos situados bajo la parte trasera de la placa. En principio, empezar dando media vuelta en sentido opuesto a las agujas del reloj a los tornillos.
4. Si es preciso seguir ajustando el componente, proceder con giros de un cuarto de vuelta hasta que el agua fluya lentamente a la bandeja de goteo de grasa.

IMPORTANTE:

- **NO** derramar bajo ningún concepto agua fría sobre la placa de la plancha cuando esté caliente; de hacerlo así, podría resultar dañada.
- **NO** limpiar la placa de la plancha en un horno con autolimpieza.
- **NO** calentar los recipientes de cocina en la superficie de la plancha.
- Se debe tener cuidado para evitar rayar o raspar la superficie.
- La placa de la plancha es apta para lavarse en lavavajillas, no obstante se recomienda su lavado a mano.
- La bandeja de goteo de grasa es apta para lavavajillas.
- Limpiar la bandeja de goteo de grasa después de cada uso. Al extraer e inclinar la bandeja, proceder con cuidado para evitar que se derrame el contenido.

Manejar la plancha

1. Presionar y girar la perilla de la plancha en sentido de las agujas del reloj hasta alcanzar la temperatura deseada.
2. Precalentar la plancha.
3. Añadir mantequilla, margarina, aceite o manteca, si así se desea.

Recomendaciones de la parrilla de gas

Recomendaciones de cocción con los quemadores STAR®

Alimento	Ajuste de inicio	Ajuste de finalización Quemadores estándar	Ajuste de finalización, quemadores XLO®
Bebidas Cacao	MED – calentar leche, cubrir	LO – terminar de calentar	XLO – conservar caliente, cubrir
Panes Tostada a la francesa, hot cakes, sándwiches a la parrilla	MED – precalentar el sartén	de LO a MED – cocinar	de LO a MED – cocinar
Mantequilla Fundir	LO – comenzar a derretir		Dejar que se derrita durante 5-10 minutos
Cereales Harina de maíz, sémola, avena	HI – cubrir, llevar el agua a ebullición, añadir los cereales	de LO a MED – acabar de cocinar según las instrucciones del paquete	Igual que los quemadores estándar XLO – conservar, cubrir
Chocolate Fundir	XLO – se puede remover para que se derrita más rápido		XLO – dejar que se derrita durante 5-10 minutos XLO – conservar
Postres Dulces	de LO a MED – cocinar según la receta	de LO a MED	de LO a MED
Pudín y relleno de pasteles	de LO a MED LO – cocinar según las instrucciones del paquete	LO	LO
Pudín	de LO a MED LO – llevar la leche a ebullición	LO	LO
Huevos En su cáscara	MED HI – cubrir los huevos con agua, colocar la tapa, llevar a ebullición		
Fritos, revueltos	de LO a MED – fundir la mantequilla, añadir los huevos	LO – finalizar la cocción	Igual que los quemadores estándar XLO – conservar durante un corto período de tiempo
Pochados	HI – llevar agua a ebullición, añadir los huevos	de LO a MED – terminar de calentar	de LO a MED – terminar de calentar
Carne, aves, pescado Tocino, salchichas, hamburguesas	MED HI – hasta que la carne empiece a crepitar	de LO a MED – finalizar la cocción	de LO a MED – finalizar la cocción
Estofar: filete suizo, estofado de carne, guiso de carne	MED HI – derretir la grasa, dorar en ajuste MED HI, añadir líquido, cubrir		XLO – dejar que cueza a fuego lento hasta que esté tierno
Fritura rápida: carne para el desayuno	MED HI – precalentar el sartén	MED HI – freír rápidamente	MED HI – freír rápidamente
Fritura: pollo	MED HI – calentar el aceite, dorar en ajuste MED	LO – cubrir, finalizar la cocción	LO – cubrir, finalizar la cocción
Fritura en abundante aceite: camarones	MED HI – calentar el aceite	de MED a MED HI – conservar la temperatura	de MED a MED HI – conservar la temperatura
Fritura en sartén: chuletas de cordero, filetes, hamburguesas, salchichas	MED HI – precalentar el sartén	MED – dorar la carne	Igual que los quemadores estándar XLO – conservar
Guisar: pollo entero o por piezas, pescado	MED HI – cubrir, llevar el líquido a ebullición		Finalizar la cocción

Alimento	Ajuste de inicio	Ajuste de finalización Quemadores estándar	Ajuste de finalización, quemadores XLO®
Cocinar a fuego lento: guiso de pollo, carne en conserva, lengua, etc.	HI – cubrir, llevar el líquido a ebullición		XLO – cocer a fuego lento XLO – conservar, cubrir
Pastas Macarrones, espaguetis, pasta larga	HI – llevar el agua a ebullición, añadir la pasta	de MED a MED HI – mantener el agua hirviendo	de MED a MED HI – mantener el agua hirviendo
Palomitas (utilizar un sartén pesado de base plana)	HI – cubrir, calentar hasta que empiecen a estallar los granos	MED HI – terminar de preparar palomitas	MED HI – terminar de preparar palomitas
Olla a presión Carne	de MED HI a HI – acumular presión	de LO a MED – mantener la presión	de LO a MED – mantener la presión
Verduras	HI – acumular presión	de LO a MED – mantener la presión	de LO a MED – mantener la presión
Arroz	HI – cubrir, llevar el agua y el arroz a ebullición	LO – mantener un hervor suave Cubrir y cocer hasta que se absorba el agua	Igual que los quemadores estándar XLO – conservar, cubrir
Salsas A base de tomate	MED HI – cocinar carne o verduras, seguir la receta	LO – mantener un hervor suave	XLO – cocer a fuego lento sin tapar el recipiente para que reduzca la salsa
Salsas blancas cremosas, salsa bearnesa	MED – fundir la grasa, seguir la receta	LO – finalizar la cocción	XLO – conservar, cubrir
Salsa holandesa	XLO		XLO – conservar el ajuste más bajo durante un corto período de tiempo, remover con frecuencia
Sopas, caldos	HI – cubrir, llevar el líquido a ebullición	LO – mantener un hervor suave	XLO – hervir a fuego lento, conservar, cubrir
Verduras Frescas	HI – cubrir, llevar el agua y las verduras a ebullición	de LO a MED – cocer durante 10 minutos o hasta que estén tiernas	Igual que los quemadores estándar XLO – conservar, cubrir
Precongeladas	HI – cubrir, llevar el agua y las verduras a ebullición	de LO a MED – cocinar según las instrucciones del paquete	de LO a MED – cocinar según las instrucciones del paquete
Fritura en abundante aceite	HI – calentar el aceite	de MED a MED HI – conservar la temperatura para freír	de MED a MED HI – conservar la temperatura para freír
En bolsita	HI – llevar el agua y la bolsita a ebullición	de LO a MED – cocinar según las instrucciones del paquete	de LO a MED – cocinar según las instrucciones del paquete
Salteadas	HI – calentar el aceite o fundir mantequilla, añadir las verduras	de LO a MED – cocinar hasta alcanzar la consistencia deseada	de LO a MED – cocinar hasta alcanzar la consistencia deseada
Saltear	HI – calentar el aceite, añadir las verduras	de HI a MED HI – finalizar la cocción	de HI a MED HI – finalizar la cocción

Recomendaciones de cocción con la plancha

Alimento*	Ajuste para plancha de 12 pulg.	Ajuste para plancha de 24 pulg.
Tocino, hamburguesas,	Alto	Medio-alto
Hamburguesas	Alto	Alto
Solomillo de buey	Alto	Alto
Chuletas de cerdo	Alto	Medio-alto
Hamburguesas de pavo	Alto	Alto
Huevos fritos	Medio	Medio
Hot cakes	Medio-alto	Medio-alto
Arroz fritos	Medio-alto	Medio-alto
Sándwiches de queso a la plancha	Medio-alto	Medio-alto

* Aplanar los alimentos para que tengan un grosor uniforme; de este modo, se asegura una cocción homogénea.

Usar el horno

Esta guía de uso y mantenimiento abarca varios modelos. Es posible que el modelo adquirido tenga solo algunos de los modos o funciones descritos.

Descripciones de los modos

Modo	Definiciones y recomendaciones	Sistema eléctrico principal	Sistema de gas principal	Sistema eléctrico aux.	Sistema de gas aux.
Hornear	Cocción con aire caliente y seco. Alimentos variados, por ejemplo, tartas, galletas, pastas, panes rápidos, quiche y guisos.	✓	✓	✓	✓
Horno de conv.	Similar al horneado normal, pero un ventilador situado en la parte posterior del horno hace circular el aire. Adecuado para alimentos horneados, por ejemplo, tartas, pan de maíz, pasteles, panes rápidos, tartaletas y panes de levadura.	✓	✓	✓ 1	✓ 1
Conv. real	Cocina con calor de un tercer elemento calefactor en la parte posterior del horno. Un ventilador de aire caliente hace circular el calor por todo el horno. Adecuado para cocinar alimentos individuales en ración, por ejemplo, galletas y pasteles.	✓			
Grill de amplia superficie	Utiliza un calor intenso que sale del elemento calefactor superior. Se usa para trozos tiernos de carne de 1" (2.5 cm) o menos, aves de corral, pan tostado y guisos.	✓	✓	✓	✓
Asar conv.	Combina el calor intenso del elemento calefactor superior con la circulación de aire del ventilador. Trozos tiernos de carne de más de 1" (2.5 cm), aves de corral y pescado. No utilizar para tostar.	✓		✓ 1	
Leudar	Leudar (levar) masa con levadura y masa madre.			✓	✓
Asar	Utiliza un calor más intenso del elemento calefactor, se tuesta más el exterior. Adecuado para carnes, aves de corral, trozos menos tiernos de carnes y para asar verduras.	✓	✓	✓ 1	✓
Asado c/ aire caliente	Utiliza el elemento calefactor inferior y un calor más intenso del elemento calefactor superior que en el horneado con aire caliente, con un ventilador que hace circular el aire. Se usa para trozos tiernos de carne, aves de corral y para asar verduras. Las carnes quedan más jugosas y húmedas que con el modo para asar.	✓		✓ 1	
Sabbat/ Horneado ampl.	Este modo de cocción es para ayudar al usuario a cumplir con los principios del Sabbat.	✓	✓	✓ 1	✓ 1
Conservar caliente	Mantiene una temperatura moderada para que los alimentos se conserven calientes. Adecuado para alimentos horneados, por ejemplo, tartas, pan de maíz, pasteles, panes rápidos, tartaletas y panes de levadura.			✓	✓ 2
Autolimpieza	El horno alcanza una temperatura muy elevada para quemar los restos de alimentos.	✓	✓ 1	✓	✓ 1
Inicio remoto ³	Permite al usuario iniciar, pausar y cancelar los programas del horno de forma remota a través de la aplicación Home Connect™ en su dispositivo móvil.	✓	✓		

¹ Solo en modelos Pro Grand ² Solo en modelos Pro Harmony ³ No disponible en modelos de 30"

Modo	Definiciones y recomendaciones	Sistema eléctrico principal	Sistema de gas principal	Sistema eléctrico aux.	Sistema de gas aux.
Pre calentamiento rápido ³	Símbolo que aparece cuando está activado el pre calentamiento rápido.	✓		✓	
Sonda para carne ³	Se muestra cuando se detecta una sonda.	✓	✓	✓	✓
Temporizador de cocina ³	El temporizador de cocina funciona independientemente de las demás funciones del electrodoméstico.	✓	✓	✓	✓
Temporizador del horno ³	Muestra la cantidad de tiempo que funcionará el modo del horno antes de que se apague de forma automática.	✓	✓	✓	✓
Finalización del temporizador ³	Se usa al retrasar el inicio de un modo del horno con tiempo. Muestra la hora del día a la que finalizará el modo del horno de forma automática.	✓	✓		
Bloqueo del panel ³	Evita que el horno se encienda o se cambien los ajustes accidentalmente.	✓	✓	✓	✓
Cerradura de la puerta ³	El símbolo se muestra durante el modo de autolimpieza y después, cuando la puerta está bloqueada.	✓	✓	✓	✓
Servicio remoto ³	Se muestra el símbolo si se conecta el servicio técnico durante el acceso remoto.	✓	✓		
Ajustes ³	Presionar para acceder a los ajustes.	✓	✓		
Home Connect ³	Control remoto del aparato mediante un clic rápido o control por voz.	✓	✓		

¹ Solo en modelos Pro Grand ² Solo en modelos Pro Harmony ³ No disponible en modelos de 30"

Inicio para poner en funcionamiento

Se puede acceder a los ajustes del tiempo, el idioma y la indicación de la hora actual en cualquier momento presionando **AJUSTES** mientras el aparato está en modo de espera.

1. Conectar el aparato a la fuente de alimentación.
2. Seleccionar un ajuste con los botones < o > de la izquierda.
3. Cambiar el parámetro ajustado con los botones < o > de la derecha.
4. Presionar **INTRO**.
 - La pantalla cambia al modo de espera.

Ajustes disponibles

Ajuste	Opción
Hora del día	Tiempo en horas y minutos
Idioma	English, français, español
Formato del reloj	12 h 24 h
Pantalla del reloj	Digital, analógica
Pre calentamiento rápido	Encendido, apagado
Sonido al presionar las teclas	Encendido, apagado
Brillo del panel indicador	1 – 5
Modo de espera	Encendido, apagado
Modo oscuro	Encendido, apagado
Convección con aire caliente	Encendido, apagado Hace descender la temperatura del horno 4 °C (25° F)

Ajuste	Opción
Compensación de temperatura	<ul style="list-style-type: none"> • Comp. temp.: horno derecho de -20 °C a +20 °C (de -35 °F a +35 °F) • Comp. temp.: horno izquierdo de -20 °C a +20 °C (de -35 °F a +35 °F)
Sabbat	Encendido, apagado
Home Connect	Realizar ajustes con el asistente
Configuración de fábrica	Restablecer
Acceso al servicio técnico	Conectar
Servicio técnico	Muestra la información de contacto del servicio técnico

Asistente Home Connect™

Acerca de Home Connect

El asistente de instalación de Home Connect forma parte de la instalación inicial del aparato en determinados modelos. Si no se completó la conexión la primera vez que se ha puesto en marcha el aparato, se puede acceder a la aplicación en el menú de ajustes.

La aplicación Home Connect primero se tiene que instalar correctamente en un dispositivo móvil. Consultar la sección "Home Connect™" on page 24 para ver instrucciones completas sobre cómo instalar la aplicación Home Connect.

Configuración de Home Connect

1. Comenzar desde el **MODO DE ESPERA** y seleccionar **AJUSTES**.
2. Presionar los botones < o > de la izquierda para desplazarse a **HOME CONNECT**.
3. Presionar **INTRO**.
4. Seguir las instrucciones que aparecen en la pantalla.

Ajustar la conversión al modo de aire caliente

Para convertir la mayoría de los productos horneados para usarlos con horneado por convección y convección real (galletas, pasteles, tartas, etc.), la temperatura del horno a menudo debe reducirse en 25 °F. El ajuste de conversión automática a aire caliente reduce automáticamente la temperatura introducida.

- La unidad continuará ejecutando el valor de conversión automática a aire caliente de forma indefinida hasta que el usuario lo cambie manualmente en los ajustes o hasta que la unidad pierda potencia, en cuyo caso será necesario restablecer la conversión automática a aire caliente.

- La conversión automática a aire caliente está disponible solamente para los modos «turbohornear especial» y «convección real».
- No se debe reducir la temperatura para carnes y aves. Se debe usar la misma temperatura recomendada en las recetas y tablas de cocción para carnes y aves.

Ajustar la conversión al modo de aire caliente

1. Comenzar desde el **MODO DE ESPERA** y seleccionar **AJUSTES**.
2. Presionar los botones < o > de la izquierda para desplazarse al modo de **CONVERSIÓN A AIRE CALIENTE**.
3. Presionar los botones < o > de la derecha y seleccionar **ENCENDIDO**.
4. Presionar **INTRO**.
5. Girar la perilla de modos a **HORNEADO CONV** y la perilla de **TEMPERATURA** a la temperatura de la receta.
 - El horno reduce automáticamente la entrada de temperatura en 25 °F (10 °C) a la temperatura correcta.
6. Permitir que el horno se precaliente para colocar la comida dentro del mismo.

Ajustar la compensación del horno

La función de compensación le permite al cocinero ajustar con más precisión sus parámetros de cocción a sus propios ajustes óptimos al permitirle ajustar la compensación de temperatura del horno +/-35 °F, en incrementos de 5 °F. Esta característica es útil si el usuario considera que la comida está siempre demasiado dorada o poco cocida para su gusto.

- La función de compensación está disponible para todos los modos, excepto el de autolimpieza.
- La compensación de temperatura está preestablecida a 0 °C como opción predeterminada.
- La unidad continuará ejecutando el valor de compensación de entrada de forma indefinida hasta que el usuario lo cambie manualmente.

Ajustar la compensación del horno con un panel indicador digital

1. Comenzar desde el **MODO DE ESPERA** y seleccionar **AJUSTES**.
2. Presionar los botones < o > de la izquierda para desplazarse a **COMPENSACIÓN DE TEMPERATURA: HORNO DER./IZQ.**
3. Presionar los botones < o > de la derecha para ajustar la temperatura.
4. Presionar **INTRO**.

Ajustar la compensación del horno en los hornos con un panel indicador digital

IMPORTANTE: La compensación debe iniciarse en los 5 minutos siguientes a un restablecimiento de energía y debe comenzarse con la puerta cerrada. Todas las perillas deben estar en **OFF** (apagado). El cierre de la puerta (si procede) debe estar desbloqueado.

1. Restablecer la energía en la caja de breakers.

Nota: La corriente eléctrica debe permanecer apagada durante al menos 20 segundos.

2. Abrir la puerta del horno.
3. Girar la perilla de modo hasta «**BROIL**» y la perilla de la temperatura del horno hasta el valor de **350**.
4. Cerrar la puerta del horno.
5. Girar de nuevo la perilla de temperatura hasta **OFF** (apagado).

Nota: Los pasos 3, 4 y 5 deben completarse en los cinco segundos siguientes a la apertura de la puerta (paso 2).

- Todos los LED del horno parpadearán cuatro veces para indicar que se ha iniciado el modo de compensación de temperatura.

Posición de la perilla	Valor de compensación de temperatura (°F)
225	-50
250	-40
275	-30
300	-20
325	-10
350	0
375	10
400	20
425	30
450	40
475	50

NOTA: Si la perilla de modo está girada en cualquier posición distinta a **OFF** (apagado) o si transcurre más de un minuto sin actividad mientras se ajusta el modo de compensación de temperatura, se saldrá del modo sin realizar ningún cambio en la compensación. Todos los LED parpadearán ocho veces para indicar que se ha salido de la compensación.

Ajustar el modo de cocción y la temperatura del horno

1. Colocar la rejilla en la posición deseada y cerrar la puerta.
2. Girar la perilla de **MODO** a **HORNEAR**, por ejemplo.
3. Girar la perilla de **TEMPERATURA**.

- La barra azul de precalentamiento se desplaza hacia la derecha a medida que se calienta el horno.
4. Una vez que el horno esté precalentado, introducir los alimentos.

Ajustar los temporizadores

- El **TEMPORIZADOR DE COCINA** puede programarse hasta por 24 horas. Se puede usar aunque esté en funcionamiento la placa de cocción y con independencia del resto de funciones. El aparato no se enciende y se apaga automáticamente.
- Con el **TEMPORIZADOR DEL HORNO**, el aparato se apaga automáticamente cuando se alcanza el tiempo de cocción deseado.
- Utilizar la función de **FINALIZACIÓN DEL TEMPORIZADOR** para retrasar el tiempo de cocción que finalice más tarde. Por ejemplo, son las 4:00 PM. El plato necesita un tiempo de cocción de 40 minutos. Se desea que esté listo a las 5:30 PM. Introducir el tiempo de cocción y retrasar su finalización hasta las 5:30. El aparato se pondrá en marcha automáticamente a las 4:50 y se apagará a las 5:30.

Ajuste del temporizador de cocina

1. Presionar la opción **TEMPORIZADORES**.
2. Presionar los botones < o > de la izquierda y seleccionar **TEMPORIZADOR DE COCINA**.
3. Presionar los botones < o > de la derecha para ajustar el tiempo deseado y presionar **INTRO**.
 - Suena un bip cuando finaliza el temporizador. Presionar **INTRO** para cancelar el bip y finalizar el temporizador.

Cambiar un temporizador en marcha

1. Presionar la opción **TEMPORIZADORES**.
2. Presionar los botones < o > de la derecha para ajustar el tiempo deseado y presionar **INTRO**.

Ajuste del temporizador del horno

1. Girar la perilla de **MODO** a **HORNEAR**, por ejemplo.
2. Girar la perilla de **TEMPERATURA**, por ejemplo, a 350 °F.
3. Presionar la opción **TEMPORIZADORES**.
4. Presionar los botones < o > de la izquierda y seleccionar **TEMPORIZADOR DEL HORNO**.
5. Presionar los botones < o > de la derecha para ajustar el tiempo deseado y presionar **INTRO**.
 - Una vez transcurrido el tiempo configurado, el aparato se apaga automáticamente cuando se alcanza el tiempo de cocción deseado. Suena un bip cuando finaliza el temporizador.

Ajuste de la finalización del temporizador

1. Ajustar el modo de cocción y la temperatura del horno deseados.
2. Presionar la opción **TEMPORIZADORES**.

3. Presionar los botones < o > de la izquierda y seleccionar **TEMPORIZADOR DEL HORNO**.
4. Presionar los botones < o > de la derecha para ajustar el tiempo del horno.
5. Presionar los botones < o > de la izquierda y seleccionar la opción de **FINALIZACIÓN DEL TEMPORIZADOR**.
6. Presionar los botones < o > de la derecha para ajustar la finalización del temporizador y presionar **INTRO**.
 - Después de confirmar la hora de finalización, aparece la notificación de tiempo de espera. Después del período de espera, el horno empieza a calentarse.

Ajustar el precalentamiento rápido

- Con el precalentamiento rápido, se puede acortar el tiempo de precalentamiento necesario para algunos modos de calentamiento. El precalentamiento rápido se recomienda generalmente para la comida preparada congelada, guisados u otros alimentos que requieren tiempos de cocción más prolongados. Este modo no se recomienda para productos de panadería.
- La unidad continuará ejecutando el precalentamiento rápido de forma indefinida hasta que el usuario lo cambie manualmente en los ajustes o hasta que la unidad pierda potencia, en cuyo caso será necesario restablecer el precalentamiento rápido.
- El precalentamiento rápido también se activará para el horno secundario en los modelos de 48".
- El precalentamiento rápido está disponible para los modos de horneado, horneado por convección, asado y asado por convección.
- Para conseguir un resultado de cocción uniforme, no colocar los alimentos en el horno hasta que se complete el precalentamiento rápido.

Ajustar el precalentamiento rápido

1. Comenzar desde el **MODO DE ESPERA** y seleccionar **AJUSTES**.
2. Presionar los botones < o > de la izquierda para desplazarse a la opción de **PRECALENTAMIENTO RÁPIDO**.
3. Presionar los botones < o > de la derecha seleccionar **ENCENDIDO** y, a continuación, presionar **INTRO**.

Ajustar el bloqueo del panel

El bloqueo del panel es un mecanismo de seguridad que evita el encendido accidental del horno o que se cambien los ajustes. El bloqueo del panel solo puede activarse en el modo de espera.

1. Mantener presionada la opción de **TEMPORIZADORES** durante cuatro segundos.
 - Aparecerán en el panel indicador el símbolo de bloqueo del panel F y la indicación **PANEL BLOQUEADO**.

2. Para desactivar la opción, mantener presionado el botón **TEMPORIZADORES** durante cuatro segundos.

Ajustar el horno para leudar

Es mejor empezar con el horno frío al usar la función de leudar.

1. Dejar descongelar primero las masas congeladas.
2. Colocar la masa en un plato y cubrirla de forma holgada.
3. Utilizar cualquier nivel de rejillas que se adapte al tamaño del recipiente o el tazón. Cerrar la puerta.
4. Girar la perilla al modo de **LEUDAR**.
5. Girar la perilla de temperatura del horno a 150 °F.
 - Se mantendrá la temperatura ideal para leudar hasta que se apague la perilla de modos. La masa habrá leudado cuando su tamaño se haya duplicado.

Ajustar el modo para conservar calientes los alimentos

1. Girar la perilla de modo a la opción de **CONSERVAR CALIENTE**.
2. Girar la perilla de temperatura del horno a 150 °F.
3. Colocar el plato calentado en el horno y cerrar la puerta.

Programar la sonda para carne

La sonda para carne le permite tener más control sobre cómo se cocinan los alimentos: deshabilita automáticamente el modo de cocción especificado cuando se alcanza la temperatura deseada de un plato, tal y como la define el cocinero. La sonda indica la temperatura de la carne en cada momento según se va cocinando.

La sonda de temperatura no funciona con el temporizador del horno ni con la función de finalización del temporizador. A continuación, se muestran los modos de calentamiento que funcionan con la sonda de temperatura:

- Hornear
- Hornear con aire caliente
- Asar
- Asar por convección con aire caliente

Programar la sonda para carne

1. Introducir el extremo enchufable en la toma de la sonda de la pared del horno e insertar la sonda propiamente dicha en la carne.
2. Cerrar la puerta del horno.
3. Girar las perillas de **MODO** y **TEMPERATURA** a los ajustes deseados.
4. Presionar los botones < o > de la derecha para ajustar la temperatura interna deseada.

Ajuste del modo Sabbat

Sobre el modo Sabbat: uso de la placa de cocción

⚠ ADVERTENCIA

Al utilizar una placa, utilizar únicamente un quemador STAR® con el ajuste más bajo. El uso de varios quemadores STAR puede provocar un sobrecalentamiento, problemas de combustión o daños en el aparato. **NO** tapar las aberturas de ventilación.

- Al iniciar el modo Sabbat, los quemadores STAR con la característica XLO se desactivan.
- Los quemadores STAR estándar sin la característica XLO siguen manteniendo toda su funcionalidad.
- El módulo de inducción, la plancha o la parrilla siguen funcionando sin problemas durante el modo Sabbat.
- Los quemadores de gas STAR estándar permanecen encendidos durante una falla eléctrica.
- Los quemadores STAR están equipados con una función de reencendido. Si la llama se apaga, la ignición vuelve a encender automáticamente el quemador STAR.

Sobre el modo Sabbat: uso del horno o de los hornos

- El horno mantiene una temperatura constante entre 150 °F y 475 °F (66 °C-246 °C) con el modo de horneado.
- Los platos cocinados se conservan calientes durante un tiempo mínimo de 30 minutos y hasta un máximo de 74 horas sin necesidad de encender o apagar el aparato.
- Los alimentos fácilmente perecederos no deben permanecer en el horno demasiado tiempo.
- Durante el Sabbat, debe taparse los controles del horno en lugar de la placa. Proceder con precaución para no tapar las aberturas de ventilación.
- Los focos del horno se desactivan en el modo Sabbat.
- Durante otras festividades, es posible ajustar la temperatura con fines de cocción. (Existe un retardo entre la solicitud y la respuesta).

Ajuste del modo Sabbat en el horno principal

1. Comenzar desde el **MODO DE ESPERA** y seleccionar **AJUSTES** en el panel indicador principal del horno.
2. Presionar los botones < o > de la izquierda para desplazarse a la opción **SABBAT**.
3. Presionar los botones < o > de la derecha seleccionar **ENCENDIDO** y, a continuación, presionar **INTRO**.
 - Los pasos 1 a 3 solo son necesarios la primera vez que se utiliza el modo Sabbat o en caso de haber restablecido de fábrica los ajustes del aparato.
4. Girar la perilla de modo del horno principal a **HORNEAR** y girar la perilla de temperatura a la temperatura deseada.
5. Presionar la opción **TEMPORIZADORES** en el panel indicador del horno principal.

6. Presionar los botones < o > de la izquierda para desplazarse a la opción **TEMPORIZADOR SABBAT**.
7. Presionar los botones < o > de la derecha e introducir la **DURACIÓN** en incrementos de 30 minutos.
8. Presionar **INTRO**.
 - Aparece una notificación de espera. Durante esta pausa de cinco minutos, el usuario puede ajustar los parámetros. Al finalizar la cuenta regresiva, el horno empieza a calentarse y se desactivan todos los botones.
 - El horno secundario puede ajustarse a cualquier modo de calentamiento para iniciar el Sabbat durante la pausa de cinco minutos.
9. Una vez que el temporizador del Sabbat llega a cero, girar todas las perillas a **APAGADO**.

Cancelar el modo Sabbat

1. Girar todas las perillas a **APAGADO** para cancelar la operación.

Ajuste del modo Sabbat en el horno secundario

1. Comenzar desde el **MODO DE ESPERA** y seleccionar **AJUSTES** en el panel indicador principal del horno.
2. Presionar los botones < o > de la izquierda para desplazarse a la opción **SABBAT**.
3. Presionar los botones < o > de la derecha seleccionar **ENCENDIDO** y, a continuación, presionar **INTRO**.
 - Los pasos 1 a 3 solo son necesarios la primera vez que se utiliza el modo Sabbat o en caso de haber restablecido de fábrica los ajustes del aparato.
4. Girar la perilla de modo del horno secundario a **HORNEAR** y girar la perilla de temperatura a la temperatura deseada.
5. Presionar la opción **TEMPORIZADORES** en el panel indicador del horno secundario.
6. Presionar los botones < o > de la izquierda para desplazarse a la opción **TEMPORIZADOR SABBAT**.
7. Presionar los botones < o > de la derecha e introducir la **DURACIÓN** en incrementos de 30 minutos.
8. Presionar **INTRO**.
 - Durante la pausa de cinco minutos, el usuario puede ajustar los parámetros. Al finalizar la cuenta regresiva, el horno empieza a calentarse y se desactivan todos los botones.

Para cancelar el Sabbat

1. Girar todas las perillas a **APAGADO** para cancelar la operación.

Seleccionar el modo de horneado ampliado (modo Sabbat) en modelos sin panel indicador digital

1. Girar la perilla al modo de **HORNEADO AMPLIADO**.
2. Girar la perilla de temperatura al valor deseado.

Iniciar con inicio remoto

⚠ ADVERTENCIA

MANEJO REMOTO

Algunos modelos permiten el funcionamiento remoto en cualquier momento. No almacenar materiales inflamables o sensibles a la temperatura en su interior, en la parte superior o cerca de las unidades de superficie del aparato.

Trabajamos continuamente para mejorar la aplicación Home Connect, lo que puede generar diferencias en los pasos para la configuración. Seguir las instrucciones de la última versión de la aplicación Home Connect; estas orientan al usuario durante el proceso de configuración.

En algunos modelos puede activarse un inicio por control remoto permanente a través de la aplicación Home Connect. Esta función permite que se inicien por control remoto los modos de funcionamiento disponibles sin desactivar automáticamente el inicio por control remoto.

- El inicio remoto permite al usuario iniciar, pausar y cancelar los programas del horno de forma remota a través de la aplicación Home Connect™ en su dispositivo móvil.
- Asegurarse de las instrucciones de seguridad contenidas en este manual de instrucciones y de cumplirlas incluso cuando se maneje el aparato por medio de la aplicación Home Connect fuera de casa. También se deben seguir las instrucciones de la aplicación Home Connect.
- El inicio remoto solo se puede utilizar si la aplicación Home Connect se ha instalado correctamente en un dispositivo móvil. Consultar la sección «Home Connect®» para obtener instrucciones completas sobre cómo instalar la aplicación Home Connect.
- Algunos modos de funcionamiento solo se pueden iniciar en el propio horno.
- El manejo del aparato de forma directa siempre tiene prioridad sobre el manejo desde la aplicación. Durante este tiempo, no es posible manejar el aparato utilizando la aplicación Home Connect.
- Si el aparato no está conectado a la red de internet doméstica, funcionará de la misma manera que un horno sin conexión a la red y se podrá seguir manejando con sus controles propios.
- La disponibilidad de la función Home Connect depende de la disponibilidad de los servicios Home Connect en cada país. Los servicios Home Connect no están disponibles en todos los países. Se puede encontrar más información al respecto en www.home-connect.com.

Ajustes del inicio remoto

1. Colocar los alimentos en el horno y luego cerrar la puerta.
2. Girar la perilla de modo a la opción de **INICIO REMOTO**.

- **NO** girar la perilla de temperatura a ninguna posición (dejarla en la posición de apagado).
 - El panel indicador pasa a la indicación de standby y aparece.
3. Continuar con la aplicación Home Connect instalada en el dispositivo móvil.

Recomendaciones de colocación de las rejillas del horno

Posiciones de las rejillas del horno

- Las posiciones de las rejillas en la hornilla están numeradas como un elevador. La posición número uno es la más baja.
- Las recomendaciones relativas a la posición de las rejillas se aplican a la cocción en la hornilla. Sin embargo, si una receta sugiere una posición de rejilla distinta, se debe seguir la receta o las instrucciones del paquete.
- Deje por lo menos 1 pulg. (25,4 mm) de espacio entre las ollas y las paredes de la hornilla para que el calor pueda circular alrededor de cada olla.
- Deje un espacio libre de 1,5 pulg. (38 mm) encima y debajo de cada plato.

Hornear

Horno principal, horneado en una rejilla

Nivel	Modo de horneado
4	-- Especialmente apropiado para productos horneados individuales, como galletas, pastas, pastelitos, etc.
3	-- Especialmente apropiado para la mayoría de artículos horneados.
2	-- Si el alimento tiene una cierta altura, como el pastel de cabello de ángel. -- Se recomienda hornear tartas de base firme en el nivel 2 para asegurarse de que la base quede bien hecha sin que se dore en exceso la parte superior. -- Para asar piezas de carne o aves de gran tamaño, como un prime rib o un pavo.

Horno principal, horneado en dos rejillas

Niveles	Modo de horneado
2 y 5, combustible doble 2 y 4, gas	-- Guisados en cazuela

Horno secundario (modelos de 48 pulgadas)

Nivel	Modo de horneado
1	-- Especialmente apropiado para la mayoría de artículos horneados.

Horno principal, horneado en tres rejillas

Si se desea hornear con tres rejillas, los modos más apropiados son el de horneado con aire caliente o el de aire caliente de convección verdadero.

Grill de amplia superficie

Recomendaciones para la rejilla del grill de amplia superficie de horno principal de combustible doble

Nivel	Modo de grill de amplia superficie, combustible doble
5	-- Bisteces de res, hamburguesas de carne molida, rebanadas de jamón y chuletas de cordero de 1 pulgada de grosor o menos. Usar también para tostar la parte superior de los alimentos.
4	-- Carne de 1 1/8 pulgadas de grosor o más; pescado, aves, chuletas de cerdo y rebanadas de jamón de 1 pulgada de grosor o más.
3	-- Pollo en cuartos o mitades.

Recomendaciones para la rejilla del grill de amplia superficie de horno principal de gas

Nivel	Modo de grill de amplia superficie, gas
4	-- Bisteces de res, hamburguesas de carne molida, rebanadas de jamón y chuletas de cordero de 1 pulgada de grosor o menos.
3	-- Carne de 1 1/8 pulgadas de grosor o más; pescado, aves, chuletas de cerdo y rebanadas de jamón de 1 pulgada de grosor o más. Usar esta rejilla para preparar pollo en cuartos o mitades al grill. Usar también para tostar la parte superior de los alimentos.

Recomendaciones para la rejilla del grill de amplia superficie del horno secundario (solo modelos de 48 pulgadas)

Niveles	Modo de grill de amplia superficie, horno secundario
3, 4, o 5: combustible doble 1, 3 o 4: gas	-- En función del tipo y el grosor de los alimentos.
5: combustible doble 3: gas	-- Tostar la parte superior de los alimentos.

Hornear con aire caliente por convección

Pro Harmony — Horneado con aire caliente en una rejilla

Nivel	Modo de horneado con aire caliente
3 o 4	-- Al utilizar solo una rejilla, se obtienen mejores resultados con el modo de horneado.

2	-- Asar un pavo o una pieza de carne de gran tamaño.
---	--

Pro Harmony — Horneado con aire caliente en dos rejillas

Niveles	Modo de horneado con aire caliente
2 y 4, combustible doble	-- Usar para preparar pasteles. Las bandejas para pasteles deben disponerse de forma escalonada (no una encima de la otra).
Para gas, ver la nota	-- Niveles de bandejas para aparatos de gas: Para galletas y pastas: 3 y 5 Para pasteles: 2 y 5

Pro Harmony — Horneado con aire caliente en tres rejillas

Niveles	Modo de horneado con aire caliente
1, 3 y 5 Combustible e doble	-- Si se desea hornear varias bandejas de galletas. Colocar directamente las bandejas, una por encima de otra, para que el aire pueda circular entre ellas.
Para gas, ver la nota	-- Niveles de bandejas para aparatos de gas: Para galletas y pastas: 3, 4 y 5 Para pastelitos y otros alimentos horneados: 1, 3 y 5

Pro Grand — Horneado con aire caliente en una rejilla

Nivel	Modo de horneado con aire caliente
3	-- Al utilizar solo una rejilla, se obtienen mejores resultados con el modo de horneado.
2	-- Asar un pavo o una pieza de carne de gran tamaño.

Pro Grand — Horneado con aire caliente en dos rejillas

Niveles	Modo de horneado con aire caliente
2 y 4	-- Usar para preparar pasteles, galletas pastas y otros alimentos horneados. Las bandejas para pasteles deben disponerse de forma escalonada (no una encima de la otra). Las bandejas para galletas deben colocarse en la rejilla 2, directamente bajo la 4.
	-- Para preparar varios guisos, pasteles o tartas precongeladas.
	-- También pueden utilizarse estas dos rejillas para preparar una comida copiosa que requiera horno.

Pro Grand — Horneado con aire caliente en tres rejillas

Niveles	Modo de horneado con aire caliente
1, 3 y 5 Combustible e doble	-- Si se desea hornear varias bandejas de galletas. Colocar directamente las bandejas, una por encima de otra, para que el aire pueda circular entre ellas.
Gas, véase la nota	-- Niveles de bandejas para aparatos de gas: Para galletas y pastas: 2, 3 y 4 Otros alimentos: 1, 3 y 5

Recomendaciones de deshidratación para el modo de horneado con aire caliente (con aire caliente)

Alimento	Preparación	Tiempo aproximado (horas)	Prueba de punto de preparación (textura)
Manzana en rodajas de ¼ pulgadas	Sumergidas en 1/4 de taza de zumo de limón y 2 tazas de agua	8 – 15	Ligeramente dúctil
Plátanos en rodajas de ¼ pulgadas	Sumergidas en 1/4 de taza de zumo de limón y 2 tazas de agua	8 – 15	Ligeramente dúctil
Cerezas	Lavar y secar con un paño. Si las cerezas son frescas, quitarles el hueso	7 – 18	Dúctil, curtida, gomosa
Corteza de naranja	La parte anaranjada de una cáscara de naranja finamente pelada.	1 – 4	Seca y quebradiza
Naranja en rodajas	Naranja en rodajas de ¼ pulgadas	9 – 16	La piel queda seca y quebradiza, el fruto queda ligeramente húmedo
Rodajas de piña	Secadas con un paño	7 – 12	Suave y dúctil
Fresas	Lavar y secar con un paño. En rodajas de ½ pulgada de grosor, colocadas en la rejilla con la piel hacia abajo	9 – 17	Seca y quebradiza

Pimientos	Lavar y secar con un paño. Pimientos con la membrana quitada en trozos irregulares de 1 pulgada de grosor	13 – 17	Curtida sin humedad en el interior
Champiñones	Lavar y secar con un paño. En rodajas delgadas (1/8" de grosor)	5 – 12	Correosa y curtida, seca
Tomates	Lavar y secar con un paño. Cortados en rebanadas delgadas, bien escurridas, de 1/8" pulgadas de grosor	5 – 12	Seca, color rojo ladrillo

Convección verdadera

Recomendaciones de uso del modo de convección verdadera

Niveles con combustible doble	Modo de convección verdadera
4 y 5	-- Pastas y galletas
2, 3 y 4	-- Pastas y galletas
1, 3 y 5	-- Pastelitos y otros alimentos horneados

Leudar

Recomendaciones para leudar

Tamaño	Tiempo
Hogaza, 1 lb(0,45 kg)	60–75 minutos
Panecillos, 0,1 lb(0,05 kg)	30–45 minutos

Asar

Recomendaciones para asar

Carnes y aves	Temperatura	Nivel
Carne de vacuno		
Asado en olla, 3-4 lb	350 °F (180 °C)	1
Pecho de res	350 °F (180 °C)	2
Aguja de res	350 °F (180 °C)	1
Pastel de carne	350 °F (180 °C)	3
Aves		
Pollo, entero	375 °F (190 °C)	2
Pollo, despiezado	375 °F (190 °C)	2
Pavo, entero	325 °F (165 °C)	2
Cerdo		
Paleta	325 °F (165 °C)	1
Jamón ahumado, a la mitad	325 °F (165 °C)	1

Home Connect™

Trabajamos continuamente para mejorar la aplicación Home Connect, lo que puede generar diferencias en los pasos para la configuración. Seguir las instrucciones de la última versión de la aplicación Home Connect; estas orientan al usuario durante el proceso de configuración.

Para ayudar con la vinculación, hacer clic en el siguiente enlace para ver un breve tutorial en vídeo:

www.thermador.com/us/home-connect/wifi-pairing-instructions.

Notas

- Seguir la información de seguridad incluida en este manual de instrucciones; asegurarse también de respetarla al manejar el aparato con la aplicación Home Connect.
- El manejo del aparato de forma directa siempre tiene prioridad sobre el manejo desde la aplicación; durante ese tiempo, no es posible manejar el aparato utilizando la aplicación Home Connect.

Configurar Home Connect

Descargar la aplicación Home Connect y crear una cuenta de usuario

1. Abrir App Store (dispositivos Apple®) o Google Play™ Store (dispositivos Android™) en el teléfono inteligente o la tableta.
2. Buscar la aplicación Home Connect (América) publicada por Robert Bosch Hausgeräte GmbH en el campo de búsqueda de la tienda.
3. Abrir la aplicación y registrarse para crear una cuenta Home Connect.
4. Anotar las credenciales de la cuenta de Home Connect (cuenta de usuario y contraseña), para referencias futuras.
Apuntar los datos de acceso a Home Connect aquí:
Nombre de red
(SSID):.....
Contraseña
(clave):.....
5. La aplicación guía al usuario por los distintos pasos para añadir el aparato a Home Connect.

Conectar manualmente el aparato a la red de internet doméstica

1. Presionar **AJUSTES** y seleccionar **HOME CONNECT**.
2. Presionar **INTRO**.
Si no se ha establecido ninguna red, el asistente de Home Connect guiará al usuario.
3. Presionar **INTRO** para seleccionar el asistente de Home Connect.
4. Seguir las instrucciones de la aplicación.

5. Esperar hasta que el mensaje «RED CONECTADA» aparezca en el panel indicador.

La conexión puede fallar; el panel indicador avisará para iniciar un nuevo intento o para tratar de conectarse automáticamente.

El aparato está listo para conectarse con la aplicación.

6. Seguir las instrucciones de la aplicación en el dispositivo móvil para registrar automáticamente la red de internet.

El proceso de registro se ha completado una vez que aparece «VINCULACIÓN CORRECTA» en el panel indicador.

Conectar el aparato a la red de internet doméstica con WPS

1. Presionar **AJUSTES** y seleccionar **HOME CONNECT**.
2. Presionar **INTRO**.
-- En el panel indicador aparece una petición para presionar el botón WPS del router antes de que transcurran dos minutos.
3. Presionar el **botón WPS** en el router.
-- Consultar el manual del router para localizar el botón WPS.
-- La aplicación recibirá una notificación cuando el aparato se haya conectado correctamente a la red inalámbrica.
4. Presionar **INTRO**.
-- En el panel indicador, aparecerá un mensaje para informar al usuario si la red se ha conectado correctamente.
5. Presionar **START PAIRING** (iniciar vinculación) en la aplicación Home Connect.
6. Seguir las indicaciones de la aplicación.

Activar o desactivar el Wi-Fi

1. Presionar **AJUSTES** para navegar por las opciones disponibles hasta que se muestre «AJUSTES DE HOME CONNECT».
2. Presionar **INTRO**.
3. Presionar **AJUSTES** para navegar por las opciones disponibles hasta que se muestre «WI-FI ON» o «WI-FI OFF».
4. Presionar **INTRO**.
5. Presionar **0** para desactivar la red Wi-Fi o **1** para activarla.
Aparece el mensaje «DESACTIVANDO WI-FI» o «ACTIVANDO WI-FI».

Desconectarse de la red

Nota: Si el aparato se desconecta de la red de internet, este no se puede manejar mediante Home Connect.

1. Presionar **AJUSTES** para navegar por las opciones disponibles hasta que se muestre «AJUSTES DE HOME CONNECT».
2. Presionar **INTRO**.
3. Presionar **AJUSTES** para navegar por las opciones disponibles hasta que se muestre «RED CONECTADA».
4. Presionar **INTRO**.
Se muestra «PRESIONAR 0 PARA DESCONECTAR».
5. Presionar **0**.
Se muestra «ELIMINANDO RED».

Conectarse a la red

1. Presionar **AJUSTES** para navegar por las opciones disponibles hasta que se muestre «AJUSTES DE HOME CONNECT».
2. Presionar **INTRO**.
Se muestra «PRESIONAR INTRO PARA HC».
3. Presionar **INTRO** para iniciar el asistente de Home Connect.
4. Seguir las instrucciones de las secciones
 - «Registro manual del aparato en la red doméstica» o
 - «Conectar el aparato a la red de internet doméstica con WPS».

Conectarse a la aplicación

Si la aplicación Home Connect está instalada en el dispositivo móvil, se puede conectar con el horno.

Requisito: el aparato debe estar conectado a la red.

1. Presionar **AJUSTES** para navegar por las opciones disponibles hasta que se muestre «AJUSTES DE HOME CONNECT».
2. Presionar **INTRO**.
Se muestra «PRESIONAR INTRO PARA HC».
3. Presionar **AJUSTES** para navegar por las opciones disponibles hasta que se muestre «CONECTAR A LA APLICACIÓN HC».
4. Presionar **INTRO**.
Se muestra «CONFIRMAR EN LA APLICACIÓN HC».
5. Confirmar la conexión en la aplicación Home Connect.

Ajustar el inicio remoto

“Ajustes del inicio remoto” on page 89

Configurar el control remoto

1. Presionar **AJUSTES** para navegar por las opciones disponibles hasta que se muestre «AJUSTES DE HOME CONNECT».
2. Presionar **INTRO**.
Se muestra «PRESIONAR INTRO PARA HC».
3. Presionar **AJUSTES** para navegar por las opciones disponibles hasta que se muestre «CONTROL REMOTO DESACTIVADO» o «CONTROL REMOTO ACTIVADO».
4. Presionar **INTRO**.
Se muestra «PRESIONAR 1 PARA CTRL REMOTO ON» o «PRESIONAR 0 PARA CTRL REMOTO OFF».
5. Presionar **1** o **0** para activar o desactivar el control remoto.

Diagnóstico remoto

Los servicios posventa pueden acceder a la aplicación a través del servicio de diagnóstico remoto si el usuario lo solicita, si el aparato está conectado al servidor Home Connect y si este servicio está disponible en el país donde se utiliza el aparato.

Consejo: Hay disponible más información y detalles sobre la disponibilidad del diagnóstico remoto en cada país en la sección de ayuda y asistencia de la página web local: www.home-connect.com

¹Wi-Fi es una marca registrada de Wi-Fi Alliance.

Cuidado y mantenimiento

Esta guía de puesta en marcha y seguridad abarca varios modelos. Es posible que el modelo adquirido carezca de alguno de los modos descritos.

Para más recomendaciones y consejos de limpieza y para sacar el máximo partido al aparato, recomendamos consultar la guía de uso y mantenimiento que se encuentra disponible en línea a través del siguiente enlace:

- EE. UU.: www.thermador.com/us/support/customer-care/faqs/gas-ranges
- Canadá: www.thermador.ca/en/support/customer-care/faqs/ranges

Ajustar el horno al modo de autolimpieza

ADVERTENCIA

- Durante el ciclo de autolimpieza, las superficies exteriores se calientan más de lo normal. Ciertos componentes del aparato pueden resultar potencialmente dañinos para personas que carezcan de un conocimiento maduro sobre electrodomésticos y de las reacciones con las que un adulto afrontaría condiciones potencialmente peligrosas. Este tipo de personas deben mantenerse alejadas del aparato durante su uso y durante el ciclo de autolimpieza. Es necesario tener cuidado al utilizar las otras funciones.
- La eliminación de suciedad durante la autolimpieza puede propiciar la emisión de pequeñas cantidades de sustancias químicas o de otra naturaleza que pueden resultar nocivas mediante una exposición prolongada. Para minimizar la exposición a estas sustancias, asegurar una ventilación suficiente con una ventana abierta, una campana extractora o utilizar un ventilador.
- Para ejecutar el ciclo de autolimpieza de la cubierta, sacar de la cocina o de las áreas circundantes a los animales pequeños y a los pájaros. Abrir una ventana cercana para contar con ventilación adicional. Durante la autolimpieza, las emanaciones que se liberan pueden resultar dañinas.

ANTES DE AJUSTAR EL HORNO AL MODO DE AUTOLIMPIEZA

NO USAR LIMPIADORES DE HORNO – No se debe usar ningún limpiador comercial de horno ni ningún tipo de capa protectora del revestimiento del horno dentro o alrededor de ninguna parte del horno.

- Cuando el horno está ajustado en el modo de autolimpieza, pueden usarse los quemadores estándar de la cubierta y la plancha y la parrilla eléctricas. No pueden usarse los quemadores con función ExtraLow®.

- Limpiar el bastidor frontal del horno y los bordes exteriores de la puerta.
- Retirar la grasa y los derrames de gran tamaño.
- Asegurarse de que estén bien colocados los focos y las cubiertas de vidrio.
- Encender la campana extractora por encima de la cubierta y dejarla encendida hasta que el horno haya completado el ciclo de autolimpieza.


Ajuste del modo de autolimpieza en modelos de dos combustibles de la serie Harmony de 30 pulgadas

1. Retirar todos los recipientes, rejillas y guías de rejillas. Asegurarse de que la puerta del horno esté cerrada.
2. Girar la perilla de modo a la opción de **AUTOLIMPIEZA**.
3. Girar la perilla de temperatura a la opción de **LIMPIEZA**.
 - La autolimpieza dura dos horas.

Ajuste del modo de autolimpieza en modelos de dos combustibles con panel de visualización.

1. Retirar todos los recipientes, rejillas y guías de rejillas. Asegurarse de que la puerta del horno esté cerrada.
2. Girar la perilla de modo a la opción **AUTOLIMPIEZA** y la de temperatura a la opción de **LIMPIEZA**.
3. Presionar el botón > de la derecha para ajustar el nivel deseado de limpieza y presionar **INTRO**.

Nivel de suciedad	Duración (sin contar con el tiempo de enfriado)
Bajo	1 ½ horas
Alto	3 horas

4. Después del texto de información, presionar **INTRO**.
 **NOTA:** La puerta tarda unos 20 segundos en cerrarse por completo; a partir de ese momento, queda bloqueada. Comprobar que se haya cerrado correctamente. No ejecutar la autolimpieza si la puerta del horno no está cerrada.

Al finalizar el ciclo de limpieza

PRECAUCIÓN

Cuando el bloqueo automático pasa a la posición abierta y permite abrir la puerta del horno, en el interior hay todavía temperaturas muy elevadas.

El mecanismo de cierre de la puerta se abre automáticamente cuando la temperatura del horno desciende por debajo de los 500 °F (260 °C).

1. Girar la perilla de modo a la opción de **APAGADO**.

2. Girar la perilla de temperatura a la opción de **APAGADO**.

Para ajustar el tiempo de finalización de la autolimpieza

1. Retirar todos los recipientes, rejillas y guías de rejillas. Asegurarse de que la puerta del horno esté cerrada.
2. Girar la perilla de modo a la opción de **AUTOLIMPIEZA**.
3. Oprimir los botones < o > de la derecha para ajustar el nivel de limpieza deseado y presionar **INTRO**.
4. Presionar la opción **TEMPORIZADORES**; después, presionar los botones < o > de la izquierda y seleccionar **FINALIZACIÓN DEL TEMPORIZADOR**.
5. Oprimir los botones < o > de la derecha para ajustar la **FINALIZACIÓN DEL TEMPORIZADOR** y presionar **INTRO**.
6. Después del texto de información, presionar **INTRO**.

NOTAS:

- Una vez completado el ciclo de autolimpieza, se evitará que la función de autolimpieza pueda volver a funcionar en un plazo de 24 horas.
- Si el usuario intenta ejecutar la función de autolimpieza en un horno en que esta está restringida, las luces parpadean en intervalos de dos segundos para indicar que la función no se encuentra disponible. Para detener el parpadeo, el usuario debe girar las perillas a la posición de APAGADO.

Limpiar el aparato

⚠ PRECAUCIÓN

Evitar limpiar partes del aparato que estén calientes.

- El esmalte de porcelana es resistente a los ácidos pero no está hecho a prueba de ellos. Es preciso limpiar los restos de alimentos ácidos, como los zumos cítricos, los tomates, el ruibarbo, el vinagre, el alcohol o la leche, para evitar que se queden incrustados en la porcelana en el siguiente uso.
- Se debe optar siempre por la opción más suave de limpieza que permita obtener resultados eficaces. Algunos limpiadores pueden ser más agresivos que otros del mismo tipo. Se recomienda hacer una prueba en una zona poco visible antes de usarlos.
- Frotar siempre los acabados metálicos en dirección de las líneas del pulido para obtener los mejores resultados posibles y no dañar la superficie.
- Usar únicamente trapos suaves, esponjas, paños de papel, cepillos de fibras y estropajos de lana de acero o de materiales plásticos o no metálicos para limpiar y frotar, tal y como se recomienda en la tabla.

- La mayoría de componentes exteriores de este aparato se pueden limpiar con agua jabonosa tibia (con la excepción de los que están explícitamente identificados con otras indicaciones). Si es necesario aclarar, proceder con especial cuidado.
- Secar siempre inmediatamente para evitar las marcas de agua.
- **NO UTILIZAR LIMPIADORES A BASE DE CLORO.**

Sustituir el foco del horno

⚠ PRECAUCIÓN

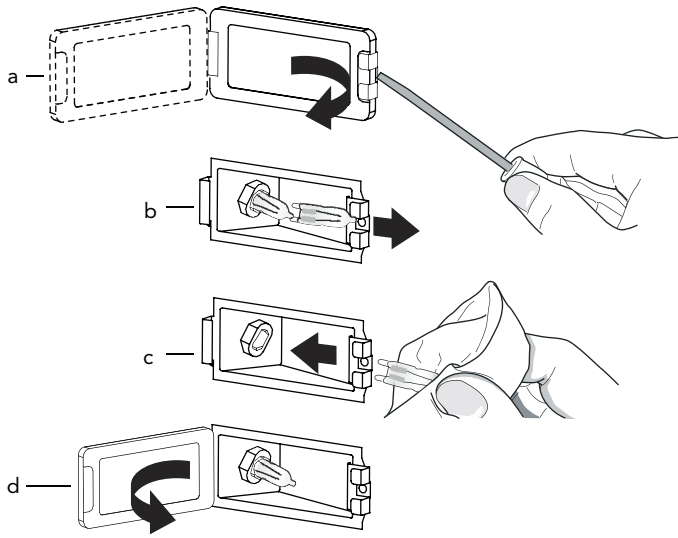
El enchufe de la luz está conectado a la corriente cuando la puerta está abierta. Asegurarse de que el aparato y las luces estén fríos y de haber desconectado la corriente eléctrica que va al aparato antes de cambiar los focos; de no hacerlo así, es posible que se produzca una descarga eléctrica o que se sufran quemaduras. Las cubiertas deben estar en su lugar cuando se utilice el aparato.

Usar únicamente focos G4 de 10 W, 12 V. Usar un trapo limpio y seco para manipular los focos; de este modo, se prolonga su vida útil.

Sustituir el foco

1. Apagar el breaker. del circuito.
2. Retirar las rejillas del horno.
3. Deslizar el extremo de un destornillador de punta plana entre el clip de soporte y la carcasa del foco (figura a).
4. Sujetar con los dedos la cubierta de vidrio por su borde inferior para evitar que se caiga al fondo del horno. Girar suavemente el destornillador de punta plana para soltar la cubierta de vidrio.
5. Retirar la cubierta de vidrio.
6. Para extraer el foco, agarrarlo y jalarlo hacia atrás hasta que las dos clavijas se liberen del soporte cerámico (figura b).
7. **NO** tocar con los dedos el vidrio del nuevo foco de repuesto; de hacerlo así, podría fallar al encenderlo por primera vez. Agarrar el foco de repuesto con un trapo seco limpio. Ubicar las dos clavijas en el soporte cerámico y presionar suavemente hasta que encajen en la toma de corriente de cerámica.
8. Seguir presionando para que se asiente el foco (figura c).

9. Deslizar el cristal de protección en el clip de soporte y presionarlo por el lado opuesto hasta que el clip de fijación vuelva a encajar en la carcasa (figura d).



10. Encender el breaker.

Solución de problemas

El usuario puede resolver errores de escasa consideración en el aparato por cuenta propia. Se ruega consultar la información para la solución de errores antes de contactar con el Servicio de atención al cliente; de este modo, se pueden evitar gastos de reparación innecesarios.

Síntoma	Posible causa	Solución
El dispositivo de ignición emite chispas de forma intermitente	<ul style="list-style-type: none"> El dispositivo cerámico de ignición está húmedo o sucio. Los orificios del quemador están obstruidos. 	<ul style="list-style-type: none"> Limpiar o secar con cuidado el dispositivo de ignición. Limpiar los orificios con un alambre, un alfiler o un clip extendido.
Se escuchan más de cuatro chasquidos del dispositivo de ignición antes de que se encienda	<ul style="list-style-type: none"> La tapa del quemador no encaja correctamente en la base. 	<ul style="list-style-type: none"> Alinear correctamente la tapa del quemador con la base.
El dispositivo de ignición emite chispas de forma constante	<ul style="list-style-type: none"> La estufa no está puesta a tierra correctamente. La conexión eléctrica está polarizada incorrectamente. 	<ul style="list-style-type: none"> Consultar las instrucciones de instalación. Encargar a un electricista calificado la puesta a tierra del aparato apropiadamente.
Los dispositivos de ignición emiten chispas pero la llama no se enciende.	<ul style="list-style-type: none"> La llave de suministro de gas está en posición de apagado. 	<ul style="list-style-type: none"> Restablecer el suministro de gas a la unidad.
La estufa no funciona (las luces, el horno y los quemadores de superficie no se encienden)	<ul style="list-style-type: none"> La unidad no recibe energía. El horno está en modo Sabbath. 	<ul style="list-style-type: none"> Comprobar si el breaker está abierto. Comprobar que el cable de suministro eléctrico esté conectado al voltaje adecuado. Comprobar que el horno no esté en modo Sabbath. Consultar la sección relativa al manejo del horno en la guía de uso y mantenimiento.
El horno funciona en el modo de horneado pero no con el temporizador	<ul style="list-style-type: none"> El temporizador no se ha configurado correctamente. 	<ul style="list-style-type: none"> Configurar el temporizador como se indica en la guía de uso y mantenimiento.
Las luces del horno no se encienden.	<ul style="list-style-type: none"> Se ha fundido un foco del horno. 	<ul style="list-style-type: none"> Sustituir el foco del horno como se indica en la guía de uso y mantenimiento.
La puerta no se abre.	<ul style="list-style-type: none"> El horno está todavía en modo de autolimpieza. 	<ul style="list-style-type: none"> Si el horno está caliente, el mecanismo de cierre de la puerta se soltará cuando se alcance una temperatura segura.
Los alimentos no se cuecen uniformemente en el horno. El aparato emite aire caliente.	<ul style="list-style-type: none"> El electrodoméstico no está nivelado. Durante el proceso de enfriamiento, es normal que el aire caliente del horno sea enviado afuera por el lugar cuando el horno está encendido. En el transcurso de los distintos modos, la velocidad del ventilador aumenta y disminuye. 	<ul style="list-style-type: none"> Consultar las instrucciones de instalación para saber cómo nivelar el aparato. Esto es normal.

Información del Servicio técnico

Estamos siempre encantados de asistir a los usuarios con las instrucciones de limpieza y cuidado y con todo lo relacionado con accesorios, solución de problemas, visitas del Servicio técnico y mucho más.

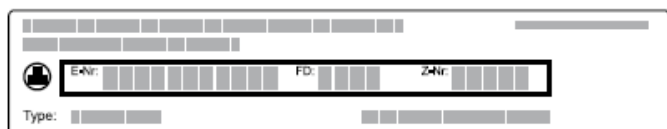
Recomendamos explorar nuestros recursos en línea, como nuestras preguntas frecuentes y tutoriales en vídeo; también es posible contactar con nosotros por teléfono.

Contacto con el Servicio de atención al cliente

EE. UU.	Canadá
1-800-735-4328	
www.thermador.com/us/support/customer-care	www.thermador.ca/en/support/customer-care

Número de producto (E-Nr.), número de fabricación (FD) y Z-Nr.

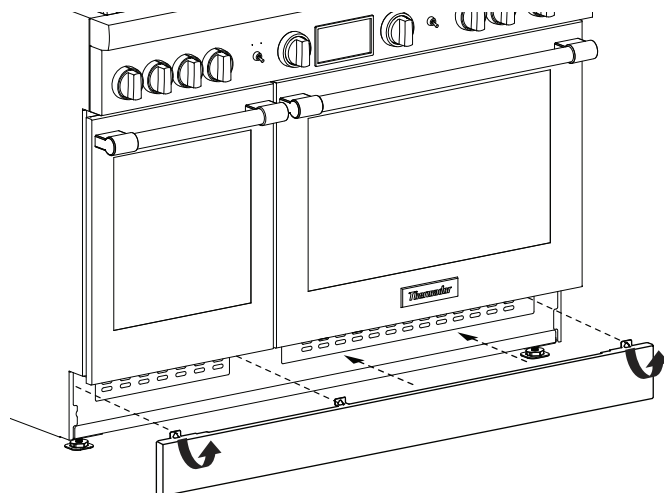
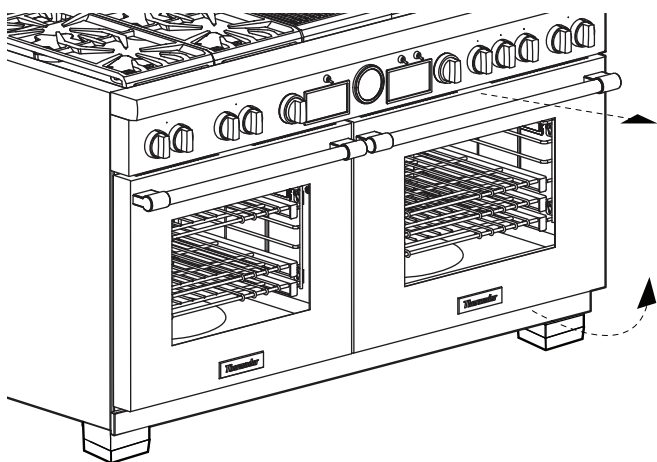
Es preciso tener preparados el número del producto (E-Nr.), el número de fabricación (FD) y la numeración consecutiva (Z-Nr.) del aparato.



Estos datos se encuentran en la placa de características del aparato.

Ubicación de la placa de características del aparato

En la placa de características se muestran el modelo y el número de serie del aparato. En función del modelo, la placa de características puede encontrarse por encima del horno principal o detrás de la placa protectora inferior.



Conexión remota del Servicio técnico

En caso de que ocurra un error, el Servicio técnico tiene la posibilidad de conectarse con el aparato a través de la conexión Home Connect™.

Para otorgar acceso al aparato al Servicio técnico:

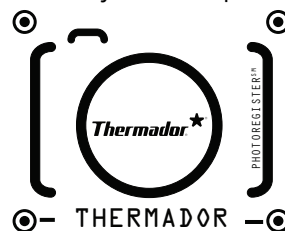
1. Ponerse en contacto con el Servicio técnico. Seguir las instrucciones facilitadas por el técnico.
2. Pulsar **INTRO** para otorgarle acceso al Servicio técnico.


Registro del producto

Se recomienda registrar el producto de BSH para garantizar un servicio oportuno y acceder a la información relacionada con dicho producto.

Es posible registrar un producto de las siguientes maneras:

- Registro por teléfono (solo en EE. UU.).
 1. Sacar una foto del icono de la cámara en la tarjeta de registro, incluyendo los puntos (⊙)



2.  Enviar la foto al 21432. (Solo en EE. UU.; el servicio puede estar sujeto a tarifas de texto y datos.)
- Enviar la tarjeta completa de registro del producto a la dirección que figura en la misma.
- Registrar el producto en línea en www.thermador.com.
- Llamar al Servicio de atención al cliente de Thermador al 1-800-735-4328.

Declaración de garantía limitada del producto

Qué cubre esta garantía y a quiénes se aplica

La garantía limitada otorgada por BSH Home Appliances («Thermador») en esta Declaración de Garantía Limitada del Producto se aplica únicamente al aparato Thermador vendido a usted («Producto»), el primer comprador usuario, condicionada estrictamente a que el Producto haya sido comprado:

- para uso doméstico (no comercial) normal, y se haya utilizado en todo momento únicamente para fines domésticos normales;
- nuevo en una tienda minorista (que no sea un producto de exhibición, ni un producto vendido «en las condiciones en que se encuentra» ni un modelo devuelto anteriormente) y no esté destinado para reventa ni uso comercial;
- dentro de los Estados Unidos o Canadá, y que haya permanecido en todo momento dentro del país de compra original.

La garantía descrita aquí es válida para el comprador original del producto cubierto por esta garantía y para cada usuario posterior del producto, adquirido para un uso doméstico, durante el período de la garantía.

Es preciso asegurarse de devolver la tarjeta de registro; si bien no es necesario para hacer efectiva la cobertura de la garantía, es la mejor manera de que Thermador pueda enviar una notificación en el caso poco probable de que se emita un aviso de seguridad o se retire del mercado un producto.

Duración de la garantía

Thermador garantiza que el Producto no presenta defectos de materiales ni de mano de obra durante un período de setecientos treinta (730) días a partir de la fecha de compra original. Dicho período comienza a contar a partir de la fecha de compra original y no se interrumpirá, dejará sin efecto, extenderá ni suspenderá por ningún motivo.

También se garantiza que este Producto no presenta defectos estéticos en el material ni en la mano de obra (como rayones en el acero inoxidable, imperfecciones en la pintura/porcelana, astillas, abolladuras ni ningún otro daño en el acabado) del Producto durante un período de sesenta (60) días desde la fecha de compra o fecha de cierre para una nueva construcción. Esta garantía estética excluye leves variaciones de color a causa de diferencias inherentes en partes pintadas y de porcelana, así como por diferencias causadas por la iluminación de la cocina, la ubicación del producto u otros factores similares. Se excluye específicamente de esta garantía por defectos estéticos cualquier aparato en exposición, de piso, vendido «en el estado en que se encuentra» o de segunda selección.

Reparación/reemplazo como único recurso

Durante el período de esta garantía, Thermador o uno de sus proveedores autorizados de servicio técnico reparará el producto sin cargo (con sujeción a determinadas limitaciones especificadas en el presente) si se prueba que el producto ha sido fabricado con un defecto en los materiales o en la mano de obra. Si se ha intentado de manera razonable reparar el Producto sin éxito, Thermador lo sustituirá (es posible llegar a disponer de modelos mejorados, a entera discreción de Thermador, por un cargo adicional). Esta garantía no establece que las piezas dañadas o defectuosas se reemplacen por piezas de diferente tipo o diseño a las originales. Todas las partes y los componentes retirados serán propiedad de Thermador, a su entera discreción. Todas las partes sustituidas y/o reparadas se considerarán como la pieza original a los fines de esta garantía, y esta garantía no será extensible a dichas partes. En virtud del presente documento, la única responsabilidad y obligación de Thermador consiste en reparar el Producto defectuoso de fábrica, a través de un proveedor de servicio técnico autorizado por Thermador durante el horario normal de oficina. Por cuestiones de seguridad y daños materiales, Thermador recomienda categóricamente no intentar reparar el Producto por cuenta propia ni usar un proveedor de servicio técnico no autorizado; Thermador no tendrá ninguna responsabilidad ni obligación por reparaciones o trabajos realizados por un proveedor de servicio técnico no autorizado. Los proveedores de servicio técnico autorizados son aquellas personas o compañías que han sido especialmente capacitadas para manejar los productos de Thermador y que tienen, según el criterio de Thermador, una reputación superior de servicio de atención al cliente y capacidad técnica (tenga en cuenta que son entidades independientes y no son agentes, socias, afiliadas ni representantes de Thermador).

Independientemente de lo anteriormente expuesto, Thermador no tendrá responsabilidad ni obligación alguna por el Producto que se encuentre en un área remota (a más de 100 millas de un proveedor de servicio técnico autorizado) o en un lugar, área circundante o entorno que no sean accesibles por medios razonables o que sean peligrosos, hostiles o arriesgados. En tales casos, a petición, Thermador pagará de todas maneras por la mano de obra y las piezas, que enviará al proveedor de servicio técnico autorizado más cercano; no obstante, el cliente seguirá siendo totalmente responsable por el tiempo de viaje y demás cargos especiales de la compañía de servicio técnico, siempre que esta acepte realizar la pertinente visita.

Producto fuera de garantía

Thermador no tiene obligación alguna, en virtud de la ley ni por otro motivo, de otorgar ninguna concesión, incluyendo reparaciones, prorrates o sustituciones del Producto, con posterioridad al vencimiento de la garantía.

Exclusiones de la garantía

La cobertura de garantía descrita en el presente documento excluye todos los defectos o daños que no fueron provocados directamente por Thermador, incluidos, entre otros, cualquiera de los siguientes:

- uso del Producto de maneras distintas del uso normal, habitual y previsto (incluidos, entre otros, cualquier forma de uso comercial, uso o almacenamiento en exteriores de un producto diseñado para interiores, uso del Producto en aeronaves o embarcaciones);
- conducta indebida, negligencia, uso indebido, abuso, accidentes, descuido, operación inadecuada, omisión de mantener, instalación inadecuada o negligente, adulteración, omisión de seguir las instrucciones de operación, manipulación inadecuada, servicio técnico no autorizado (incluidos «arreglos» o exploración de los mecanismos internos del aparato realizados por uno mismo) por parte de cualquier persona;
- ajustes, alteraciones o modificaciones de cualquier tipo;
- incumplimiento de los códigos, regulaciones o leyes de electricidad, fontanería o construcción estatales, locales, municipales o de condado, incluida la omisión de instalar el producto cumpliendo estrictamente con los códigos y regulaciones locales de construcción y protección contra incendios;
- desgaste habitual, derrames de alimentos, líquidos, acumulaciones de grasa u otras sustancias que se acumulen sobre el Producto, en el interior o alrededor de este;
- cualquier fuerza y factor externo, elemental o ambiental, incluidos, entre otros, lluvia, viento, arena, inundaciones, incendios, corrimientos de tierra, temperaturas bajas extremas, humedad excesiva o exposición prolongada a la humedad, rayos, sobrecargas eléctricas, fallos estructurales alrededor del aparato y catástrofes naturales.

Thermador no tendrá en ningún caso responsabilidad ni obligación alguna por los daños ocasionados a los bienes circundantes, incluidos los muebles, pisos, techos y demás estructuras u objetos que se encuentren alrededor del Producto. Además, quedan excluidos de esta garantía los Productos en los cuales los números de serie hayan sido alterados, modificados o eliminados; las visitas del servicio técnico con fines de formación sobre el uso del Producto o las visitas en las que se determine que no hay ningún problema con el Producto; la corrección de los problemas de instalación (el usuario es el único responsable de cualquier estructura y soporte del Producto, incluidas todas las instalaciones de electricidad y plomería o demás instalaciones de conexión, de la correcta instalación en bases/pisos, y de cualquier alteración, incluyendo, a modo

de ejemplo, muebles, paredes, pisos, repisas, etc.); y el restablecimiento de disyuntores o fusibles.

EN EL ALCANCE PERMITIDO POR LA LEY, LA PRESENTE GARANTÍA ESTABLECE LOS RECURSOS ÚNICOS PARA EL USUARIO CON RESPECTO AL PRODUCTO, INDEPENDIENTEMENTE DE SI UNA RECLAMACIÓN SE ORIGINA DE UN ASPECTO CONTRACTUAL, UN DAÑO JURÍDICO (INCLUYENDO LA RESPONSABILIDAD ESTRICTA O LA NEGLIGENCIA) O DE CUALQUIER OTRO ASPECTO. ESTA GARANTÍA REEMPLAZA TODAS LAS DEMÁS GARANTÍAS EXPRESAS O IMPLÍCITAS. LAS GARANTÍAS IMPLÍCITAS POR LEY, YA SEA DE COMERCIALIZACIÓN O DE APTITUD PARA UN FIN ESPECÍFICO O DE CUALQUIER OTRO TIPO, TENDRÁN VALIDEZ ÚNICAMENTE POR EL PERÍODO DE VIGENCIA DE LA PRESENTE GARANTÍA LIMITADA EXPRESA. EL FABRICANTE NO SE RESPONSABILIZARÁ EN NINGÚN DAÑO POR DAÑOS CONSECUENTES, ESPECIALES, O DAÑOS PUNITIVOS, PÉRDIDAS O GASTOS, INCLUIDOS, ENTRE OTROS, TIEMPO FUERA DEL TRABAJO, HOTELES O COMIDAS EN RESTAURANTES O GASTOS DE REMODELACIÓN, QUE SUPEREN LOS DAÑOS DIRECTOS INEQUÍVOCAMENTE PROVOCADOS DE MANERA EXCLUSIVA POR THERMADOR O DE OTRA MANERA. ALGUNOS ESTADOS NO PERMITEN LA EXCLUSIÓN O LIMITACIÓN DE DAÑOS INCIDENTALES O CONSECUENTES, Y ALGUNOS ESTADOS NO PERMITEN LIMITACIONES CON RESPECTO AL PLAZO DE VIGENCIA DE UNA GARANTÍA IMPLÍCITA; POR LO TANTO, ES POSIBLE QUE LAS ANTERIORES EXCLUSIONES O LIMITACIONES NO SE APLIQUEN. LA PRESENTE GARANTÍA OTORGA CIERTOS DERECHOS JURÍDICOS ESPECIALES AL USUARIO, A QUIEN PUEDEN CORRESPONDER TAMBIÉN OTROS DERECHOS EN FUNCIÓN DEL ESTADO EN QUE SE ENCUENTRE.

Ningún intento de alterar, modificar o enmendar la presente garantía será válido, a menos que fuera autorizado por escrito por un ejecutivo de BSH.

Obtener el servicio técnico adscrito a la garantía

Para obtener el servicio de garantía para su Producto, debe comunicarse con el Servicio de atención al cliente de Thermador al 1-800-735-4328 a fin de programar una reparación.

Support

Thank you for being a Thermador customer!

USA:

Thermador is dedicated to supporting you and your appliance so you have many years of creative cooking. Please don't hesitate to contact us if you have any questions. We're happy to help you with cleaning and care instructions, cooking tips, accessories, troubleshooting, scheduling service visits, and more.

1-800-735-4328

www.thermador.com/us/support/customer-care

Canada:

1-800-735-4328

www.thermador.ca/en/support/customer-care

Accessories and parts

USA:

Filters, Thermador cleaners, teppanyaki pans, griddles, replacement parts, and more can be purchased in our online accessories store.

www.thermador.com/us/accessories

Canada:

Visit the webpage below to learn how to purchase filters, cleaners, accessories and parts.

www.thermador.ca/en/support/filters-cleaners-accessories

Soutien

Merci d'être un client Thermador!

É.-U. :

Thermador s'engage à offrir tout le tout le support dont vous et votre appareil avez besoin afin que vous puissiez en profiter pleinement. N'hésitez pas à communiquer avec nous pour toute question. Nous serons heureux de vous aider avec des directives concernant le nettoyage et les soins, des conseils de cuisson, des accessoires, le dépannage et plus encore.

1-800-735-4328

www.thermador.com/us/support/customer-care

Canada :

1-800-735-4328

www.thermador.ca/en/support/customer-care

Accessoires et pièces

É.-U. :

Filtres, nettoyants, accessoires et pièces :

www.thermador.com/us/accessories

Canada :

Les filtres, pièces et accessoires peuvent être achetés auprès de nos distributeurs.

www.thermador.ca/en/support/filters-cleaners-accessories

Soporte

¡Gracias por ser un cliente Thermador!

EEUU:

Thermador se dedica a apoyarlo a usted y a su aparato para que tenga muchos años para cocinar creativamente. No dude en contactarnos si tuviera preguntas. Nos encantará ayudarlo con las instrucciones de limpieza y cuidado, consejos para cocinar, accesorios, solución de problemas y más.

1-800-735-4328

www.thermador.com/us/support/customer-care

Canadá:

1-800-735-4328

www.thermador.ca/en/support/customer-care

Accesorios y piezas

EEUU:

Los filtros, limpiadores Thermador, sartenes de teppanyaki, planchas, piezas de refacción y más se pueden comprar en nuestra tienda de accesorios en línea.

www.thermador.com/us/accessories

Canadá:

Los filtros, piezas y accesorios se pueden comprar a través de nuestros distribuidores.

www.thermador.ca/en/support/filters-cleaners-accessories



1901 MAIN STREET, SUITE 600, IRVINE, CA 92614 // 800-735-4328 // WWW.THERMADOR.COM

© 2022 BSH Home Appliances Corporation
8001250420