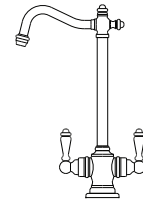
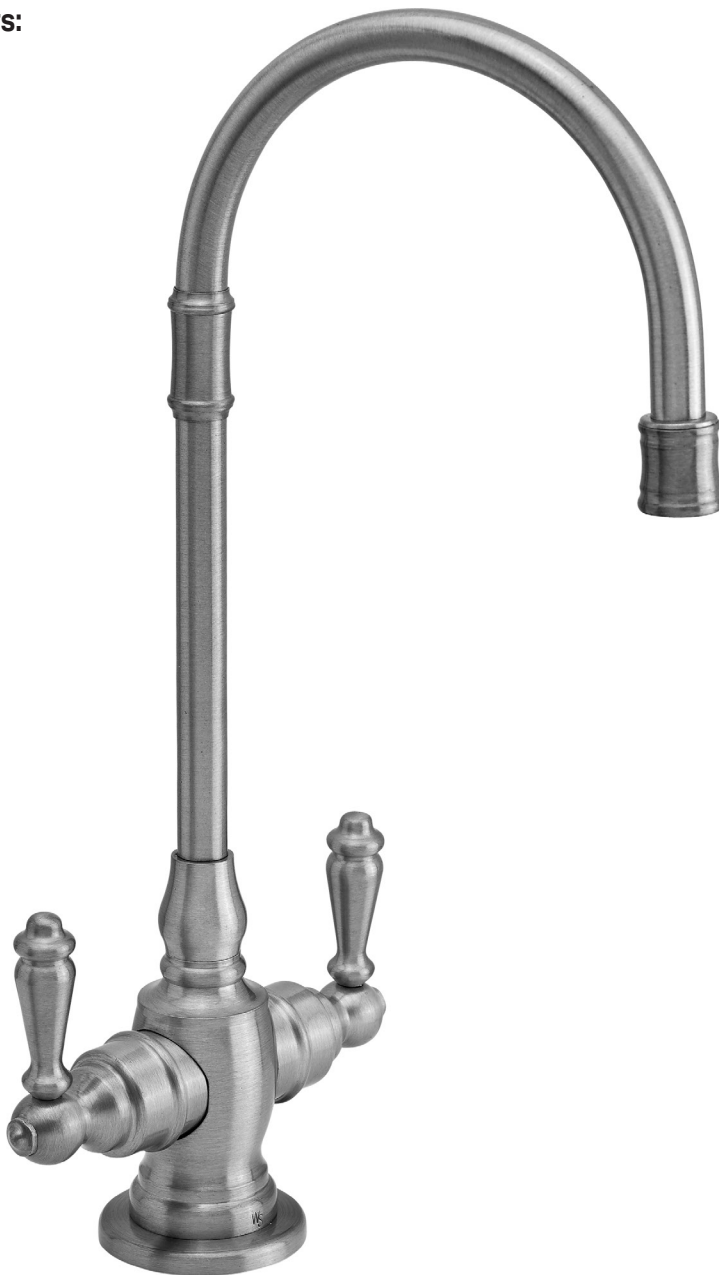


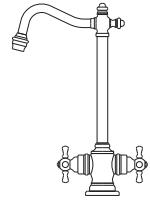
# BAR FAUCET INSTALLATION INSTRUCTIONS

**Model #s:**

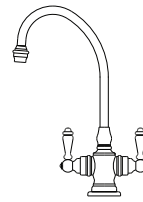
- 1300
- 1350
- 1500
- 1502
- 1550
- 1552
- 1600
- 1625
- 1650
- 1655
- 1800
- 1850
- 2500



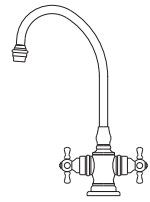
1300



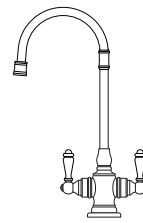
1350



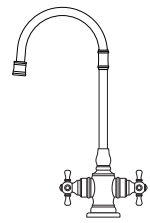
1500



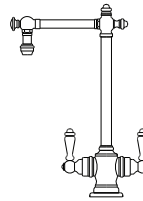
1550



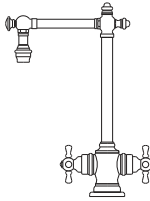
1502



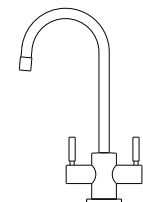
1552



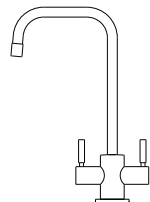
1800



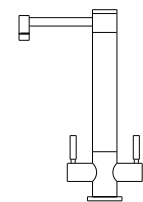
1850



1600, 1650



1625, 1655



2500

## BEFORE YOU BEGIN YOUR INSTALLATION:

1



Turn off water supply.

2



Observe all local plumbing codes.

3



Inspect waste and water supplies for signs of damage. Replace as necessary.

4



DO NOT use petroleum based products on this faucet.

### REQUIRED TOOLS:



1. Adjustable Wrench

### PARTS INCLUDED:

HK-FBF-XX\*  
BAR FAUCET HARDWARE KIT

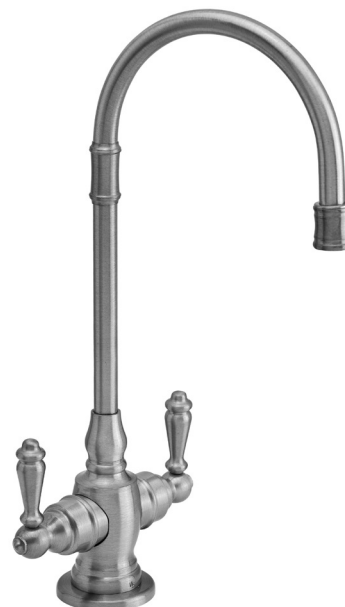
*\*XX represents finish*

## LIFETIME WARRANTY

All Waterstone products manufactured by Waterstone carry a **Limited Lifetime Guarantee** against functional defect in material or workmanship in a residential application. Consult with an authorized Waterstone dealer for complete information about our warranty.

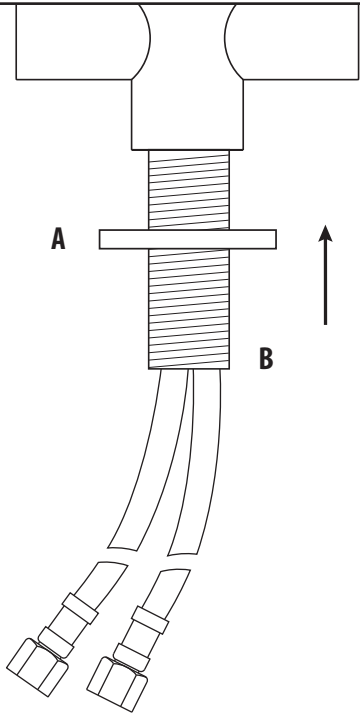
For any questions or concerns about your faucet's warranty, contact Waterstone.

Waterstone Faucets  
41180 Raintree Court • Murrieta, CA 92562  
1-888-304-0660  
[www.waterstoneco.com](http://www.waterstoneco.com)



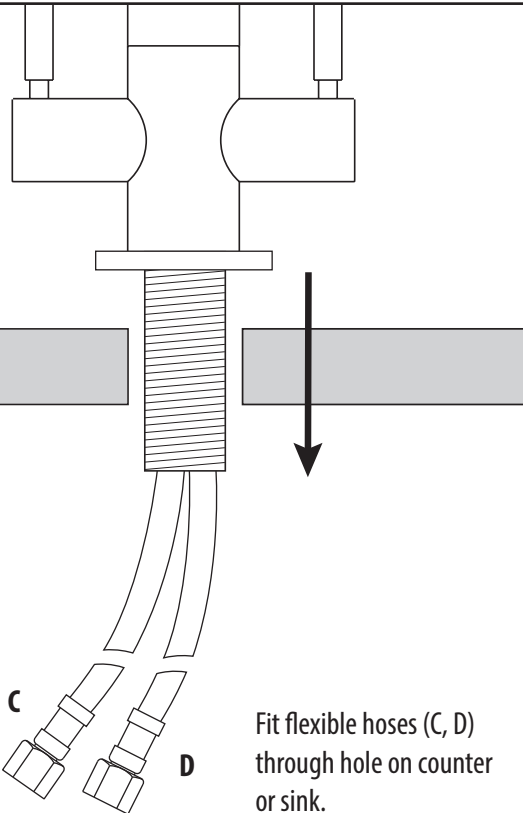
# BAR FAUCET INSTALLATION

**1.**



Slide escutcheon plate (A) onto threaded shroud (B) and up to base of faucet.

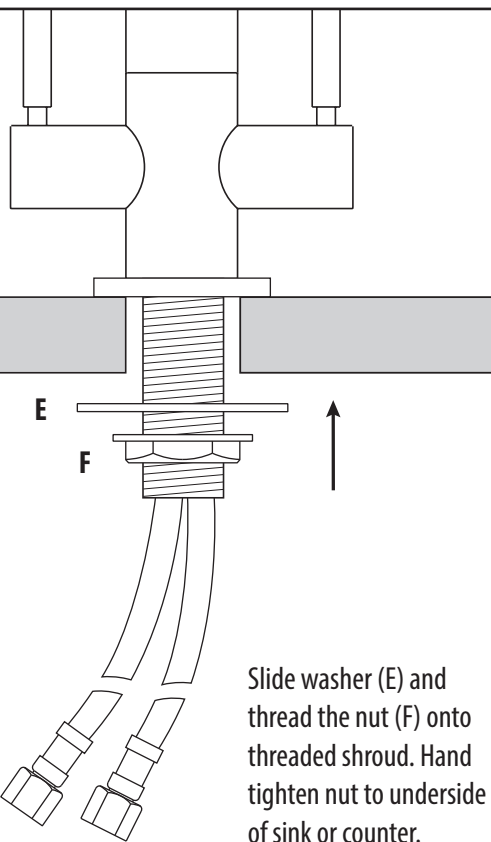
**2.**



COUNTER OR SINK

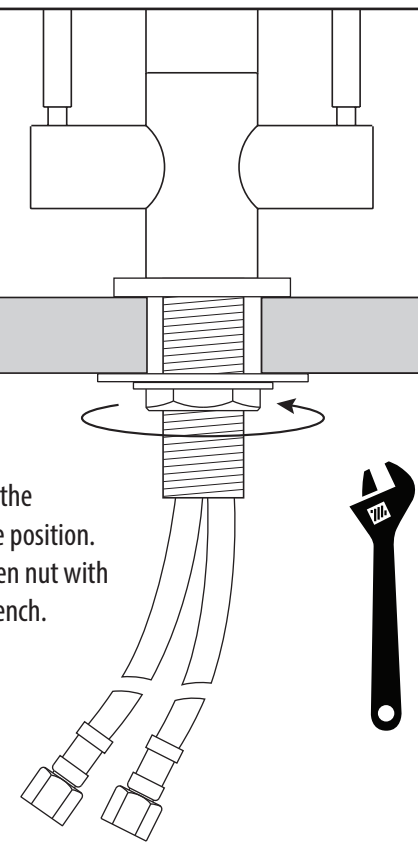
Fit flexible hoses (C, D) through hole on counter or sink.

**3.**




Slide washer (E) and thread the nut (F) onto threaded shroud. Hand tighten nut to underside of sink or counter.

**4.**

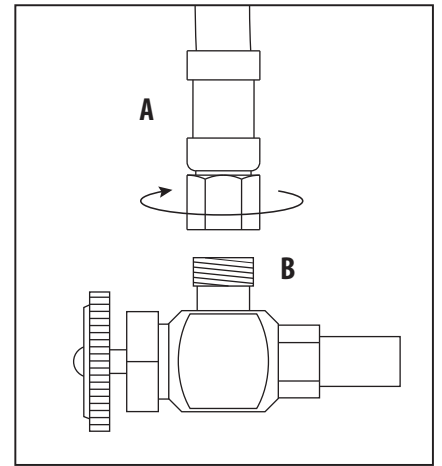


Turn faucet to the desired handle position. Securely tighten nut with adjustable wrench.

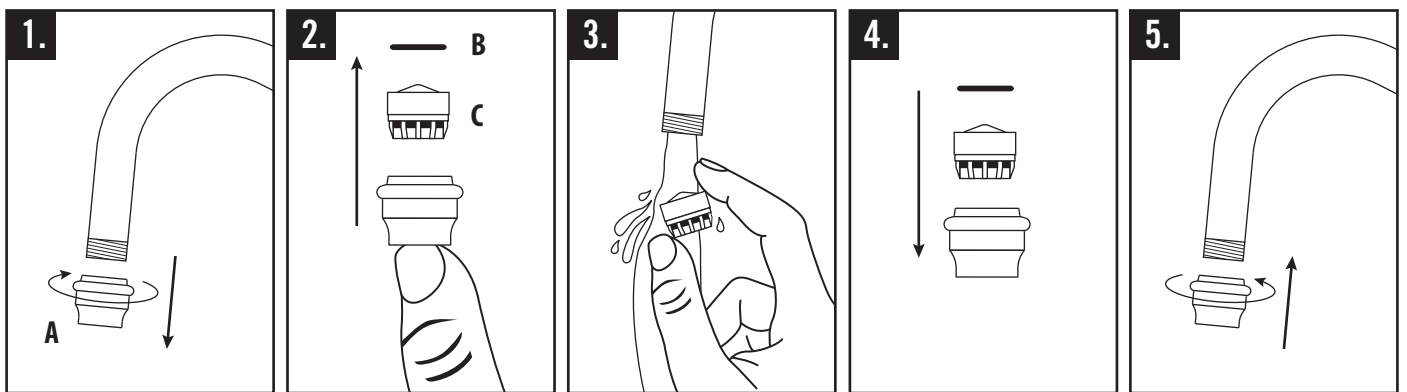


## CONNECTING SUPPLY HOSES

1. Before connecting supply hoses, flush supply stops to clear any debris. Place a bucket underneath stops and run water for 5 to 10 seconds. Turn water off.
2. Carefully position hot and cold supplies so they will not interfere with other hoses.
3. Connect supply hoses (A) to supply stops (B). DO NOT use teflon tape or plumbers putty. Turn water back on and check for leaks.



## CLEANING AERATOR AND DEBRIS SCREEN



Depending on quality of your household water, the aerator and debris screen may become clogged. We recommend cleaning one week after installation, then a minimum of once of year thereafter. To remove the debris, follow the steps below.

1. Gently unscrew and remove spout tip (A) by hand.
2. Remove O-ring (B). To remove aerator (C), push with finger from bottom.
3. Thoroughly rinse aerator with water until all debris is removed.
4. Place aerator, then O-ring back into spout tip.
5. Gently screw spout tip, by hand, snugly back onto spout.

