

CORE

SORRENTO

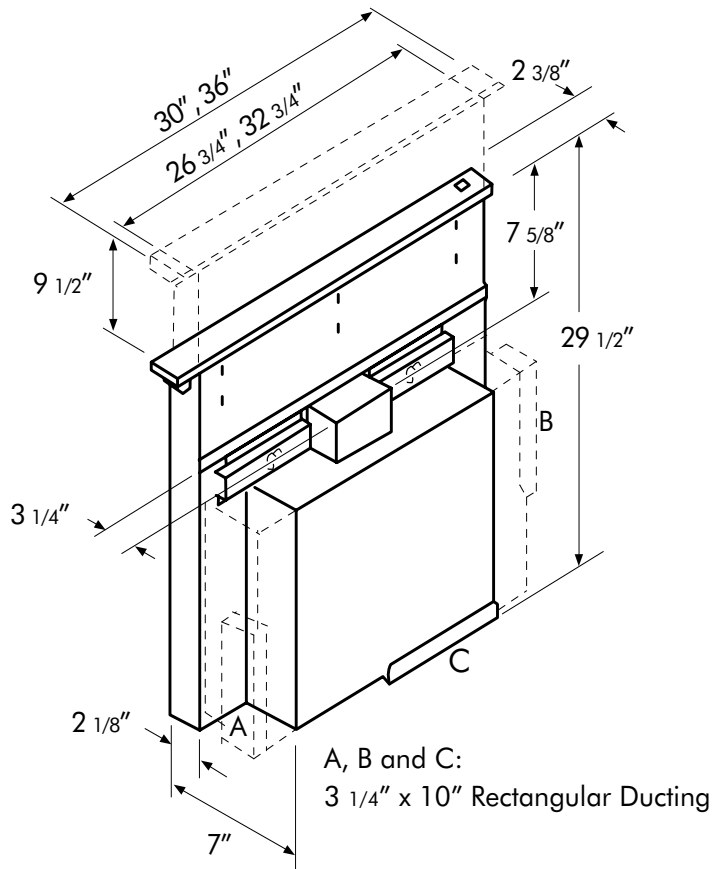
DOWNDRAFT

Ideal for small kitchens or for island settings where ceilings are too high for ducting, Sorrento rises to the occasion. The brushed stainless steel filter unit houses quiet, efficient centrifugal blowers. An automatic heat

sensor adjusts blowers in high-heat conditions. The press of a button lets you conveniently raise and lower this hood.

**ZEPHYR**

ZEPHYRONLINE.COM



MODEL	DD1-E30AS	DD1-E36AS
Stainless Steel		
<b>Size</b>	30"	36"
<b>Blower CFM (Max.)</b>	500	500
<b>Sones</b>	NA	NA
<b>FEATURES</b>		
<b>Controls</b>	Control Knob	Control Knob
<b>Speed Levels</b>	Variable	Variable
<b>Auto On/Off*</b>	Yes	Yes
<b>Automatic Heat Sensor**</b>	Yes	Yes
<b>Filters</b>	Decorative Mesh x2	Decorative Mesh x2
<b>DUCT SPECIFICATIONS</b>		
<b>Internal Blower (Left, Right or Bottom)</b>	3-1/4" x 10"	3-1/4" x 10"
<b>AC POWER</b>	120V, 60Hz at Max. 4A	120V, 60Hz at Max. 4A
<b>OPTIONAL ACCESSORIES</b>		
<b>Remote Up/Down Control</b>	DDA-0001	DDA-0001
<b>Make-Up Air Kit</b>	MUA006A	MUA006A
<b>HEIGHT ACCOMODATIONS</b>	Total Rise 9-1/2"	Total Rise 9-1/2"
<b>WARRANTY</b>	2 years parts, 1 year labor	2 years parts, 1 year labor

\*Automatically turns on or off when raising or lowering the air vent if control knob is turned on.

\*\*Automatic heat sensor adjusts speed of blower to high in case of excess heat.

Note: Not for use with built-in ovens.