

Use and Care
GUIDE

Thermador Masterpiece® Island Hood



Use and Care
GUIDE

Thermador Masterpiece® Wall Hoods

Table of Contents (English) 3
Table de Matières (Français) 20
Índice de Materias (Español).....36

**Models |
Modèles |
Modelos:**

HMIB36WS
HMIB42WS



Home Connect User's Information

Wi-Fi® Module

FCC/IC Statements

CMIIT ID: 2017AJ4134 (M)
FCC: 2AHES-COM2
IC: 21152-COM2

The Home Connect module is a communication device designed to provide communication between appliances and smart devices.

This module is integrated at the factory, under direct control of BSH Home Appliances Corporation, and is not user serviceable or upgradable. At least 20 cm separation distance should be maintained from device to user.

FCC COMPLIANCE STATEMENT

CAUTION: Changes or modifications not expressly approved could void your authority to use this equipment.

This device complies with Part 15 of the FCC Rules. Operation to the following two conditions: (1) This device may not cause harmful interference, and (2) This device must accept any interference received, including interference that may cause undesired operation.

INDUSTRY CANADA STATEMENT

This device complies with Industry Canada licence-exempt RSS standard(s). Operation is subject to the following two conditions: (1) this device may not cause interference, and (2) this device must accept any interference, including interference that may cause undesired operation of the device.

Le présent appareil est conforme aux CNR d'Industrie Canada applicables aux appareils radio exempts de licence. L'exploitation est autorisée aux deux conditions suivantes : (1) l'appareil ne doit pas produire de brouillage, et (2) l'utilisateur de l'appareil doit accepter tout brouillage radioélectrique subi, même si le brouillage est susceptible d'en compromettre le fonctionnement.

Congratulations!

Congratulations on your recent Thermador purchase! Whether you are a dedicated chef or simply a connoisseur of the art of cooking, owning a Thermador kitchen is the ultimate expression of personal style, good taste and an appreciation for the complete culinary experience. Our award-winning products have been empowering culinary enthusiasts for more than eleven decades.

Before you begin using your new Thermador product, please take a moment to review the Use and Care Guide. You will find the answers to all of your questions as well as some very important safety information. Pay special attention to the **Important Safety Instructions** located at the beginning of the manual. Your Thermador product is ready and waiting to be used for your next gourmet creation!

Our products are handcrafted with the highest quality authentic materials to ensure years of reliable service. In the unlikely event that you have a service question, please have your model and serial numbers of your product available (see the **"Before Calling For Service"** section for location).

We realize that you have made a considerable investment in your kitchen. Please feel free to share your Thermador kitchen photos and remodeling stories with us. Follow us on Twitter or post your kitchen photos on Facebook. We would love to hear from you!

Thermador wishes you many years of creative cooking.

Félicitations!

Félicitations pour votre achat d'un produit Thermador! Que vous soyez un chef à temps plein ou simplement un amateur d'art culinaire, être propriétaire d'une cuisine Thermador est l'expression ultime de style et de bon goût personnel ou une appréciation d'une expérience culinaire complète. Depuis plus de onze décennies, nos produits primés font le bonheur des passionnés des arts culinaires.

Avant d'utiliser votre nouveau produit Thermador, veuillez prendre quelques instants pour lire le Guide d'utilisation et d'entretien. Vous y trouverez les réponses à toutes vos questions même que quelques renseignements très importants de sécurité. Veiller à être très attentif aux Consignes de sécurité importantes imprimées au début du manuel. Votre produit Thermador est prêt et n'attend que vous pour créer le prochain plat gourmet!

Nos produits sont issus du travail d'artisans qui utilisent des matériaux authentiques d'excellente qualité pour vous assurer des années de service fiable. Dans le cas peu probable que vous ayez une demande de réparation, veuillez avoir en main les numéros de modèle et de série du produit (consultez la section **"Avant d'appeler pour une réparation"** pour trouver l'emplacement de ces numéros).

Nous réalisons que vous avez effectué un investissement considérable dans votre cuisine. N'hésitez pas à partager les photos de votre cuisine Thermador et de vos récits de rénovation avec nous. Suivez-nous sur Twitter ou publiez vos photos de cuisine sur Facebook. Nous aimerions avoir vos opinions!

Thermador vous souhaite plusieurs années de cuisine créative.

¡Felicidades!

¡Felicidades por la reciente compra de su Thermador! Tanto si usted es un gran jefe de cocina o un simple aficionado del arte culinario, el hecho de poseer una cocina Thermador es la última expresión de su estilo personal, de su buen gusto y de su apreciación de una experiencia culinaria completa. Desde hace más de once décadas, nuestros premiados productos han estado empoderando a los entusiastas culinarios.

Antes de empezar a usar su nuevo producto Thermador, tómese un momento para leer la Guía de uso y cuidado. Encontrará respuesta a todas las preguntas que se planteen, así como información muy importante sobre seguridad. Preste especial atención a las Instrucciones de seguridad importantes situadas al inicio del manual. ¡Su producto Thermador está listo y aguarda que usted lo use en su próxima creación gastronómica!

Nuestros productos se fabrican a mano con materiales auténticos de alta calidad para garantizar años de servicio confiable. En el caso improbable de que tenga una pregunta dirigida al servicio técnico, tenga a mano el número de modelo y el número de serie de su producto (consulte la sección **"Antes de llamar al servicio técnico"** para saber dónde se encuentran).

Somos conscientes de que ha realizado una gran inversión económica en su cocina. No dude en compartir con nosotros fotos e historias de la remodelación de su cocina Thermador. Síganos en Twitter o publique las fotos de su cocina en Facebook. ¡Estaremos encantados de tener noticias tuyas!

Thermador le desea muchos años de cocina creativa!

Table of Contents

Safety	3
Important Safety Instructions	3
Advance Planning	5
Before You Begin	5
General Information	6
Installation	7
Installation Considerations	7
Ductwork Preparation	8
Hood Transition	11
Electrical Requirements	11
Choosing the Correct Blower	11
Preparing the Ceiling Cutout and Housing.....	12
Custom Insert Installation with Hood Trims	13
Blower Motor Installation	14
Remote Installation (optional)	16
Installing Filters and Grease Trays.....	18
Installer Checklist and Service	19
Installer Checklist	19
Before Calling Service	19
Product Data Rating Plate	19
Service, Parts & Accessories	back page

Safety Definitions

⚠ WARNING

This indicates that death or serious injuries may occur as a result of non-observance of this warning.

⚠ CAUTION

This indicates that minor or moderate injuries may occur as a result of non-observance of this warning.

NOTICE: This indicates that damage to the appliance or property may occur as a result of non-compliance with this advisory.

Note: This alerts you to important information and/or tips.

This THERMADOR® appliance is made by
 BSH Home Appliances Corporation
 1901 Main Street, Suite 600
 Irvine, CA 92614

Questions?

1-800-735-4328

www.thermador.com

We look forward to hearing from you!



IMPORTANT SAFETY INSTRUCTIONS READ AND SAVE THESE INSTRUCTIONS

INSTALLER: Save these instructions for the local electrical inspector's use. Please leave these instructions with this unit for the owner. Show the owner the location of the circuit breaker or fuse. Mark it for easy reference.

OWNER: Please retain these instructions for future reference.

WARNING

If the information in this manual is not followed exactly, fire or shock may result causing property damage or personal injury.

WARNING



If the information in this manual is not followed exactly, fire or shock may result causing property damage, personal injury or death.

- DO NOT store or use gasoline or other flammable vapors and liquids in the vicinity of this or any other appliance.
- WHAT TO DO IF YOU SMELL GAS
 - DO NOT try to light any appliance.
 - DO NOT touch any electrical switch.
 - DO NOT use any phone in your building.
 - Immediately call your gas supplier from a neighbor's phone. Follow the gas supplier's instructions.
 - If you cannot reach your gas supplier, call the fire department.
- Installation and service must be performed by an authorized servicer, service agency or the gas supplier.

WARNING

Turn off power circuit at service panel and lock out panel before wiring this appliance. Requirement: 120 VAC, 60 Hz 15 A. Allow the appliance to cool after the power has been turned off before servicing the appliance.

WARNING

Automatically Operated Device
To reduce the risk of injury disconnect from power supply before servicing.

WARNING

TO REDUCE THE RISK OF FIRE, ELECTRIC SHOCK, OR INJURY TO PERSONS, OBSERVE THE FOLLOWING:

- Use this unit only in the manner intended by the manufacturer. If you have questions, contact the manufacturer at the address or telephone number listed on the back page.
- Before servicing or cleaning unit, switch power off at service panel and lock the service disconnecting means to prevent power from being switched on accidentally. When the service disconnecting means cannot be locked, securely fasten a prominent warning device, such as a tag, to the service panel.

WARNING

DO NOT repair or replace any part of the appliance unless specifically recommended in the manuals. Improper installation, service or maintenance can cause injury or property damage. Refer to this manual for guidance. All other servicing should be done by an authorized servicer.

WARNING



ELECTRICAL SHOCK HAZARD

- DO NOT remove connections.
- DO NOT use an extension cord.
- Failure to follow these instructions can result in death, fire, or electrical shock.



IMPORTANT SAFETY INSTRUCTIONS

READ AND SAVE THESE INSTRUCTIONS

Grounding Instructions

WARNING

Improper grounding can result in a risk of electric shock.

This appliance must be grounded. In the event of an electrical short circuit, grounding reduces the risk of electric shock by providing an escape wire for the electric current.

Be sure your appliance is properly installed and grounded by a qualified technician. Installation, electrical connections and grounding must comply with all applicable codes.

If required by the National Electrical Code (or Canadian Electrical Code), this appliance must be installed on a separate branch circuit.

WARNING

To reduce the risk of fire or electrical shock, **DO NOT** use this appliance with any solid state speed device.


Safety Codes and Standards

This appliance complies with one or more of the following Standards:

- UL 507, The Standard for the Safety of Electric Fans
- CSA C22.2 No. 113, Fans and Ventilators

It is the responsibility of the owner and the installer to determine if additional requirements and/or standards apply to specific installations.

CAUTION

 Unit is heavy and requires at least two people or proper equipment to move and install.

Hidden surfaces may have sharp edges. Use caution when handling the appliance. Failure to do so may result in property damage or personal injury.

WARNING

State of California Proposition 65 Warnings:
This product can expose you to chemicals including vinyl chloride, which is known to the State of California to cause cancer and birth defects or other reproductive harm. For more information go to www.P65Warnings.ca.gov.

Never modify or alter the construction of the appliance. For example, do not remove panels, wire covers or brackets/screws.

CAUTION

For general ventilating use only. **DO NOT** use to exhaust hazardous or explosive materials and vapors.

WARNING

To reduce the risk of fire, use only metal ductwork.

Use a qualified installer.

Remove all tape and packaging before using the appliance. Destroy the packaging after install. Never allow children to play with packaging material.

WARNING

TO REDUCE THE RISK OF FIRE, ELECTRIC SHOCK, OR INJURY TO PERSONS, OBSERVE THE FOLLOWING:

- Installation work and electrical wiring must be done by qualified person(s) in accordance with all applicable codes and standards, including fire-related construction.
- Sufficient air is needed for proper combustion and exhausting of gases through the flue (chimney) of fuel burning equipment to prevent back drafting. Follow the heating equipment manufacturer's guideline and safety standards such as those published by the National Fire Protection Association (NFPA), and the American Society for Heating, Refrigeration and Air Conditioning Engineers (ASHRAE), and the local code authorities.
- When cutting or drilling into wall or ceiling, do not damage electrical wiring and other hidden utilities.
- Ducted fans must always be vented to the outdoors.



IMPORTANT SAFETY INSTRUCTIONS

READ AND SAVE THESE INSTRUCTIONS

WARNING

TO REDUCE THE RISK OF A RANGE TOP GREASE FIRE:

- Never leave surface units unattended at high settings. Boilovers cause smoking and greasy spillovers that may ignite. Heat oils slowly on low or medium settings.
- Always turn hood ON when cooking at high heat or when cooking flambéing food (i.e. Crepes Suzette, Cherries Jubilee, Peppercorn Beef Flambe).
- Clean ventilating fans frequently. Grease should not be allowed to accumulate on fan or filter.
- Use proper pan size. Always use cookware appropriate for the size of the surface element.

WARNING

TO REDUCE THE RISK OF INJURY TO PERSONS IN THE EVENT OF A RANGE TOP GREASE FIRE, OBSERVE THE FOLLOWING:^a

- SMOTHER FLAMES with a close fitting lid, cookie sheet, or metal tray, then turn off the burner. BE CAREFUL TO PREVENT BURNS. If the flames do not go out immediately, EVACUATE AND CALL THE FIRE DEPARTMENT.
- NEVER PICK UP A FLAMING PAN - you may get burned.
- DO NOT USE WATER, including wet dishcloths or towels - a violent steam explosion will result.
- Use an extinguisher ONLY if:
 - a) You know you have a class ABC extinguisher, and you already know how to operate it.
 - b) The fire is small and contained in the area where it started.
 - c) The fire department is being called.
 - d) You can fight the fire with your back to an exit.

^aBased on "Kitchen Fire Safety Tips" published by NFPA.

Introduction

Before You Begin

Before using your appliance, be sure to read this manual. Pay special attention to the Important Safety Instructions located at the beginning of the manual.

⚠ WARNING

To avoid risk of burn, turn the hood ON when cooking at high heat or when flambéing food.

DO NOT use all heating elements or gas burners simultaneously at high settings for a prolonged period. (max.15 minutes).

If the hood is located over a gas cooktop, operate the hood at maximum setting whenever three or more gas burners are being used.

DO NOT operate the ventilation system during a cooktop fire.

All Hood models are rated for 120 VAC, using a 15 amp circuit breaker; see the Installation Manual for more details.

Operating the Appliance

Overview

NOTE: The Use and Care Guide applies to several versions of this appliance. Accordingly, you may find descriptions of individual features that do not apply to your specific appliance.

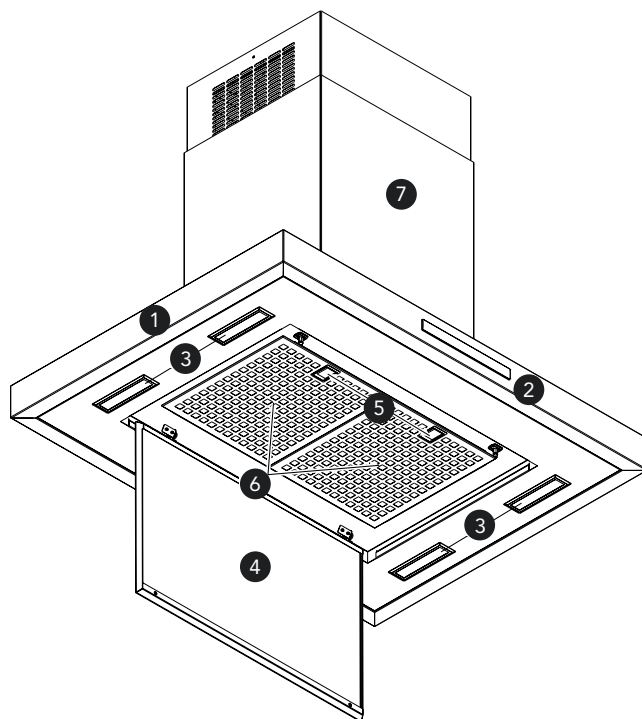
IMPORTANT: DO NOT use cooktop, rangetop, or range while hood is disassembled.

Island Hood

HMIB36WS and HMIB42WS

27" (686 mm) in depth, with widths of 36" (914 mm) and 42" (1067 mm).

This model series features brushed stainless-steel canopy with LED lights.

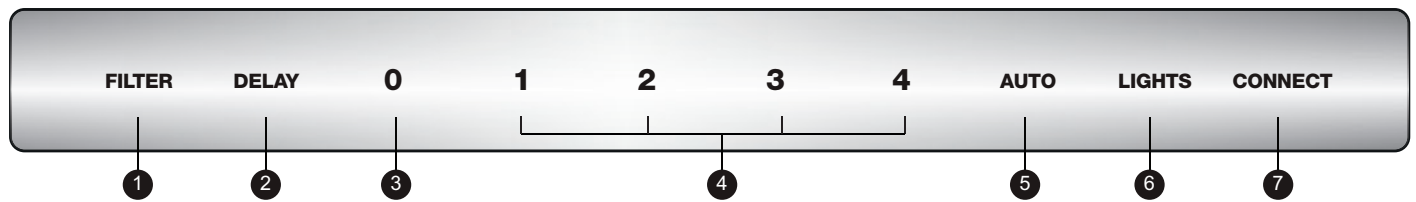


- (1) Hood canopy
- (2) Touch control
- (3) LED lights
- (4) Perimetral plate

- (5) Filter latch
- (6) Hybrid mesh filters
- (7) Flue duct

Touch Control Panel

NOTE: Not all features referred to in this manual applies to all models.



(1) FILTER

Clean Filter Reminder

After 40 hours of operation, the FILTER button will illuminate indicating that the filters need to be cleaned. When this indicator illuminates clean the filters as instructed on page 15. After cleaning, press and hold the FILTER button for 3 seconds until it beeps to reset the 40-hour period and to turn the reminder off.

Receive clean filter reminder notification through the Home Connect™ app when activated in Settings section, as well as see filter saturation status.

(2) DELAY

Delay Shut Off

If the blower is off when the DELAY button is pressed, the blower will turn on to the high speed setting for 10 minutes. Once time has elapsed, the blower will automatically turn off. If the blower is on when the DELAY button is pressed, the blower runs for 10 minutes from the time the DELAY button was pressed at the current speed then turns off. During the 10 minute timed period, the DELAY button is illuminated. To interrupt a timed period, press one of the fan speed buttons or 0 button to turn off.

Ability to choose a different time period and speed than the default setting is possible through the Home Connect™ app in the settings menu.

(3) 0

OFF

Touch '0' once to turn the blower off and reset the control.

(4) 1 – 4

Fan Speed

Increases or decreases the blower speeds. The chosen blower speed LED will remain illuminated while in operation.

1 – Low

2 – Medium

3 – Medium/High

4 – High

(5) AUTO

Automatic Mode

When in AUTO mode, the hood automatically turns the blower on, depending on the amount of heat the control senses. It automatically adjusts every 5 minutes. If the control does not sense a high level of heat, it will turn the blower off.

Remotely control and monitor hood fan speeds through Home Connect™ app.

(6) LIGHTS

LED Light Control

This button controls the LED lighting. The first press turns the lights on. A second press dims the lights. A third press turns the lights off. 0-100% light slider in Home Connect™ app allows additional control to obtain the perfect level of light.

(7) CONNECT

Home Connect™

This function allows the user to connect the hood with a mobile device. See "Home Connect™" on page 11.

Control tone

To turn OFF/ON the control tone, hold the FILTER and LIGHTS button for 3 seconds.

Control tone can also be turned OFF/ON through the settings section of the Home Connect™ app.

Operating the Hood

For Better Results

- The blower should be turned on for about 5 minutes before cooking in order to establish air currents upward through the hood. Thus when heat, smoke, moisture, grease and cooking odors are produced, they will be carried outside instead of drifting into other rooms.
- Use the low speeds for normal use and the higher speeds for strong odors or fumes.
- Drafts across the range or cooktop will reduce the effectiveness of the hood. Such drafts should be prevented when possible.
- The best job of ventilation in the kitchen is done where the only air currents are those created by the blower itself.
- Regular use of the fan system while cooking helps keep the kitchen comfortable and less humid.
- Use a rear burner when browning or pan frying meat.
- For optimal performance, the width of the hood should equal that of the cooktop or rangetop or exceed it by 3 inches on either side. Install these hoods only with Thermador blowers.

Home Connect™

With Home Connect™, the appliance is Wi-Fi-capable and can be remotely controlled using a mobile device (e.g. tablet PC, smartphone). Home Connect™ app offers additional functions which are a perfect complement to the networked appliance.

Home Connect™ does not work over Wi-Fi networks that require browser registration, i.e. a user name and password entered via a web browser. You should have a stable wireless network with good reception and access to the internet.

If the appliance is not connected to the WLAN network (home network), it functions in the same way as a typical hood with no network connection and can be operated as usual via the Touch Panel.

NOTE: Please ensure that you follow the safety instructions given at the beginning of this instruction manual and that these are also observed when operating the appliance via the Home Connect™ app and when away from home. Please also follow the instructions in the Home Connect™ app.

NOTE: Operation on the appliance itself always takes priority, and during this time it is not possible to operate the appliance using Home Connect™ App.

Cooktop-Hood Sync

You can connect this appliance to a matching cooktop (if the cooktop supports connection to the hood) and then control the functions of the hood via your cooktop.

There are various options for connecting the appliances:

Home Connect™

Two appliances can be connected using the Home Connect™ app provided that both of them are Home Connect™ compatible.

Refer to the Home Connect™ documents supplied for more information.

Connecting appliances directly

If the appliance is connected directly to a cooktop, it cannot be connected to your home network as well. The appliance will function in the same way as a hood that is not connected to the network and you can continue to operate it via the touch control panel.

Connecting appliances via your home network

If the appliances are connected to each other via your home network, both the hood controls on the cooktop and Home Connect™ can be used to operate the appliance.

Notes

- Make sure you follow the safety instructions in the instruction manual for your hood and that these are complied with even when operating the appliance via the hood controls on the cooktop.
- If the hood is being operated by means of the touch control panel on the hood itself, this mode of operation always has priority. It is not possible to use the hood controls on the hob during this time.

Setting up a connection

To set up the connection between the hood and the cooktop, the hood must be switched off and the cooktop must be switched on before you can connect the cooktop and hood.

Connecting directly

Ensure that the cooktop is switched on and is in search mode.

To do this, refer to the section entitled "Connecting to the hood" in the instruction manual for your cooktop.

Notes

- If your hood is connected directly to the cooktop, it cannot be connected to your home network as well and you will not be able to use Home Connect™.
- The cooktop must not be connected to your home network. To break a connection, follow the instructions in the section entitled "Disconnecting from the network".

Press and hold the CONNECT button until it starts to flash. The hood has been connected to the cooktop when the CONNECT button stops flashing and remains continuously lit.

Connecting via your home network

Follow the instructions in the section entitled "Connecting your hood to your home network (Wi-Fi) on page 13.

Once the hood is connected to your home network, you can connect to the hob via the Home Connect™ app. To do this, follow the instructions on your mobile device.

Setting up

To implement settings via Home Connect™, you must have installed the Home Connect™ App on a mobile device (e.g. tablet PC, smartphone).

Follow the steps specified by the app to implement the settings.

What do you need to connect your hood to Home Connect™?

- Your smartphone or tablet PC must be running the latest version of the operating system it uses.
- A home network signal (Wi-Fi) at the location where the home appliance is located.
- Name and password for your home network (Wi-Fi):
(SSID):.....
Password:.....

Step 1: Installing the Home Connect™ app

1. On your smartphone or tablet PC, go to the App Store (Apple devices) or Google Play Store (Android devices).
2. Enter "Home Connect" in the store's search field.
3. Select the "Home Connect (America)" app published by BSH Home Appliances Corporation and install it on your smartphone or tablet.

Open the Home Connect™ app and press "Register" to create a new Home Connect™ account. The app will guide you through the registration process. Don't forget to make a note of your e-mail address and password afterwards.

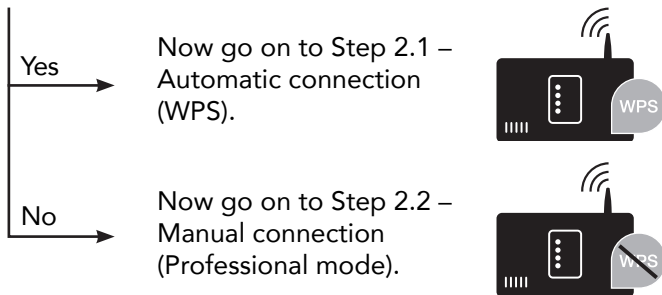
Save your Home Connect™ login details here:

Email:.....

Password:.....

Step 2 (initial start-up): Connecting your hood to your home network (Wi-Fi)

- Connect the appliance.
- Check whether your home network router has A WPS function (automatic connection) and locate the WPS button. Refer to the router manual for more information.
- Does your router have a WPS function (automatic connection)?



Step 2.1: Automatically connecting your hood to your home network (Wi-Fi)

- Press SPEED 1 button.
 - CONNECT and SPEED 1 buttons flash.
 - WPS connection process started.
- Note: To connect the hood to your home network, the hood and the light must be switched off. You can cancel the process at any time by pressing "0".
- Press and hold the "CONNECT" button until "0" and "CONNECT" start flashing.
- Press "1".
Note: "1" and "CONNECT" will flash.
- If you have WPS (see previous page) press the WPS button on your router.
Note: Please consult your router's manual to locate the WPS button.
- When "CONNECT" and "3" flashes your appliance is connected to the home network.
Go on to step 3.

Error: If the "CONNECT" and "2" light flashes then the hood could not establish a connection with your home Wi-Fi within 2 minutes.

Fix: Check whether your hood is in range of your Wi-Fi and repeat the process. If unsuccessful, refer to step 2.2 to connect the oven manually.

Step 2.2: Manually connecting your hood to your home network (Wi-Fi)

- Note: To connect the hood to your home network, the hood and the light must be switched off. You can cancel the process at any time by pressing "0".
- Press and hold the "CONNECT" button until it start flashing.
- Press "2".
Note: "2" and "CONNECT" will start flashing.
- Open general settings on your mobile device and then open Wi-Fi settings. Connect to the network named "HomeConnect".
This is your hoods Wi-Fi-network.
Use the following login information to connect:
Wi-Fi-Name/SSID: HomeConnect
Password/Key: HomeConnect
- Open the Home Connect™ App on your mobile device.
- The app will prompt you to enter your home Wi-Fi's network name and password.
Note: The app may take a few minutes to find your hood.
- Next, follow directions in the App.
- When "CONNECT" and Fan Setting "3" flashes your appliance is connected to the home network.
Go on to step 3.

Error: The appliance fails to connect to the app (The "CONNECT" light will turn off).

Fix: Ensure your smartphone or tablet is connected to the same home network (Wi-Fi). Check that your wireless connection is stable and has a strong signal. Then repeat the process from step 2.

Connecting your hood to another Home Connect™ account

- A. Open general settings on your mobile device and then open Wi-Fi settings. Connect to the same home network (Wi-Fi) as the hood.
- B. Press and hold the "CONNECT" button until the "CONNECT" and 3 buttons start flashing.
- C. Open the app on your mobile device and follow the instructions.
- D. The registration process is complete once "CONNECT" stops flashing on the hood.

If you want to change the wireless home network that is connected to the hood, reset the connection to your hood by:

- A. Press and hold the "CONNECT" and fan setting "0" buttons on your hood for at least 3 seconds. The "CONNECT" button will turn off.
- B. Repeat the process from step 2.

Software update

Using the software update function, your hood's software can be updated (e.g. for the purpose of optimization, troubleshooting or security updates). To do this, you need to be a registered Home Connect™ user, have installed the app on your mobile device and be connected to the Home Connect™ server.

As soon as a software update is available, you will be informed through the Home Connect™ app and will be able to start the software update via the app.

Once the update has been successfully downloaded, you can start installing it via the Home Connect™ app if you are on your local area network.

The Home Connect™ app will inform you once installation is complete.

Notes

- You can continue to use your hood as normal while updates are downloading.
- Depending on your personal settings in the app, software updates can also be set to download automatically.
- We recommend that you install security updates as soon as possible.

Resetting the connection

You can reset the connections you have saved on your home network and on Home Connect™ at any time.

- Press and hold the 0 and CONNECT buttons at the same time until the CONNECT symbol is no longer illuminated.

About Data Protection

When your appliance is connected for the first time to a WLAN network, which is connected to the Internet, your appliance transmits the following categories of data to the Home Connect™ server (initial registration):

- Unique appliance identification (consisting of appliance codes as well as the MAC address of the installed Wi-Fi communication module).
- Security certificate of the Wi-Fi communication module (to ensure a secure IT connection).
- The current software and hardware version of your domestic appliance.
- Status of any previous resetting to factory settings.

This initial registration prepares the Home Connect™ functions for use and is only required when you want to use these Home Connect™ functions for the first time.

NOTE: Ensure that the Home Connect™ functions can be used only in conjunction with the Home Connect™ app. Information on data protection can be accessed in the Home Connect™ app.

Care and Cleaning

Grease Filters Cleaning

⚠ WARNING

Be sure the entire appliance (including the filters and lights) has cooled and grease has solidified before attempting to clean any part of the appliance.

Your hood has removable aluminum mesh filters. They must be cleaned when the FILTER light illuminates on the touch panel or whenever they collect grease. When used over a grill, wok or other high grease applications, more frequent cleaning may be required.

The filters may be washed by hand or in the dishwasher. Soak the ventilation filters in hot water using a mild detergent. Rinse well and shake to dry.

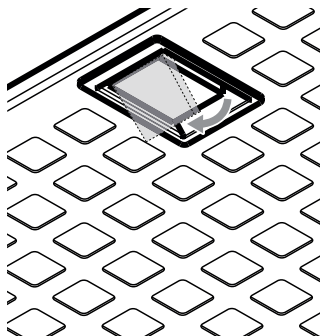
Slight discoloration can occur when cleaning the filters in a dishwasher. This has no influence on the function of the grease filters.

NOTE: Reverse the directions below to remove the filters. Ensure filters are cool and grease has solidified before removal.

NOTE: Do not use cooktop, rangetop, or range while hood is disassembled.

To Install Filters:

- Remove the filter by pulling the spring release filter latch and then pulling down the filter.
- Reinstall the filter by making sure the spring release filter latch is toward the front. Insert aluminum filter into upper track.
- Push in spring release filter latch.
- Push up on aluminum filter and release handle to latch into place.



Access additional tips and tricks through the Home Connect™ app.

Cleaning Chart

Anodized Aluminum Surfaces	Wash top and underside with hot sudsy water. Rinse and wipe dry or apply Fantastic® or Formula 409® first to a clean sponge or paper towel and wipe clean. DO NOT USE powdered cleaners or steel wool pads.
Aluminum Mesh Filters	Clean filters in the dishwasher or by agitating in sudsy water. Ensure that there is no soil trapped in the fine mesh. Dry the filters before reinstalling them.
Plastic surfaces	DO NOT REMOVE control buttons. Wipe with a moist soapy sponge. Rinse and dry.
Painted surfaces	For general care, wipe the outside of the hood with sudsy water or household cleaners such as Fantastic or Formula 409, rinse well and dry with a clean soft cloth to avoid water marks. DO NOT USE powdered cleansers or steel wool pads.
Stainless Steel Surfaces	Wipe and dry stainless steel in the same direction as the grain. Avoid using too much pressure, which may mar the surface. To remove finger prints and give added shine, use cleaners such as Stainless Steel Magic. Do not allow any cleaning compounds to remain in contact with stainless steel for extended periods.

Hood Surface Cleaning

- For general care, wipe the outside of the stainless steel with mild, lukewarm, soapy water. Always wipe and dry in the direction of the stainless steel grain. Avoid using too much pressure, which may mar the surface.
- DO NOT use abrasive products such as steel wool.
- DO NOT use cellulose sponges. Some sponges are processed with salt and can cause corrosion by leaving salt deposits on the metal.
- DO NOT allow any cleaning compounds to remain in contact with stainless steel for extended periods.
- DO NOT USE CHLORINE-BASED CLEANERS.
- To remove fingerprints and produce added shine, use a stainless steel cleaner or conditioner. The THERMADOR Stainless Steel Conditioner can be purchased online (US only) at: www.store.thermador.com (order part number 00576697).

Service

Before Calling Service

Troubleshooting

To reach a service representative, see the contact information at the back of the manual. Before calling, please note the complete model and serial number printed on your product data rating label.

Use the suggestions in the table below before calling for service to avoid service charges.

Problem	Suggested Solution
Noise during operation	<p>Some noise is normal due to vibration and air movement. Excessive noise could indicate one of the following:</p> <ul style="list-style-type: none">a) Ductwork is too small / undersizedb) Ductwork is too large / oversizedc) Ductwork is loosed) Transition is too small or is loosee) Wood screws are not fully tightenedf) Loose screws in trim parts, etc. <p>Check Installation Manual to verify that ductwork is the proper size. Tighten screws.</p>
Noise when unit is off	<ul style="list-style-type: none">a) Backflow flap on outside of duct wall cap moves with the wind. This is normal.
Lights and fan blower do not work	<ul style="list-style-type: none">a) Hood circuit breaker may be tripped. Reset breaker.
Fan blower does not work	<ul style="list-style-type: none">a) Power supply is insufficient.b) Electrical wiring is incorrectly connected. <p>See the Installation Manual for more information.</p>
Hood trips breaker	<ul style="list-style-type: none">a) Electrical wiring is incorrectly connected.b) Circuit is not sufficient. <p>See the Installation Manual for more information.</p>
The hood is not venting properly.	<ul style="list-style-type: none">a) The hood may be too high from the cook top.b) The hood may not be centered above the cook top.c) Make up air not sufficient.d) The wind from opened windows or opened doors in the surrounding area is affecting the ventilation of the hood. Close all the windows and doors to eliminate the outside air flow.e) Blockage in the duct opening or ductwork. Remove all blockage from the duct-work or duct opening.f) Duct length too long, too many elbows, "back to back" elbows, or too small roof or wall cap, will all cause issues with air draw. <p>See the Installation Manual for more information.</p>

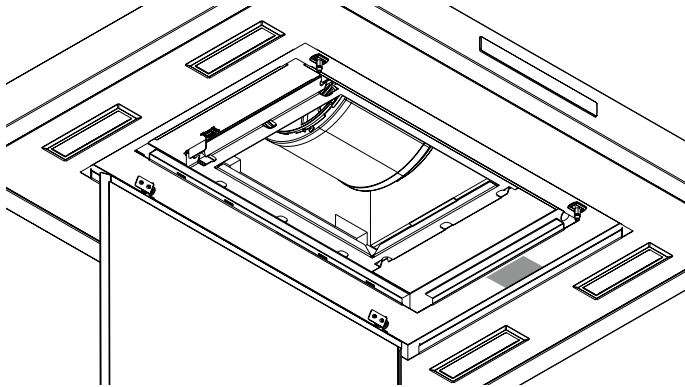
How to Obtain Service or Parts

We want you to remain a satisfied customer. If a problem comes up that cannot be resolved to your satisfaction please let us know.

To reach a service representative, see the contact information at the back page of the manual. Whether you write or call, please provide us with the Model Number, Serial Number and Date of Original Purchase or Installation.

Product Data Rating Label

The data rating label shows the model and serial number. Refer to the data label on the appliance when requesting service. The data rating label is located on the frame behind the filter. The data rating label is located on the frame behind the filters. Remove the perimetral plate and the filters to view it.



Service Information

For handy reference, copy the information below from the data rating label located on the frame. Keep your invoice for Warranty validation.

Model Number _____

Serial Number _____

Date of Purchase _____

Also enter this information on the Product Registration Form included with this product.

Register your BSH product to ensure timely service and access to your product related information. You may register your product through one of the following ways:

1. Mail in the completed THERMADOR Product Registration card.
2. Register your product online at www.thermador.com.
3. Call us at THERMADOR customer service at 1-800-735-4328.

Statement of Limited Product Warranty

What this Warranty Covers & Who it Applies to

The limited warranty provided by BSH Home Appliances Corporation (BSH) in this Statement of Limited Product Warranty applies only to the THERMADOR® appliance sold to you, the first using purchaser, provided that the Product was purchased:

- For your normal, household (non-commercial) use, and has in fact at all times only been used for normal household purposes.
- New at retail (not a display, "as is", or previously returned model), and not for resale, or commercial use.
- Within the United States or Canada, and has at all times remained within the country of original purchase.

The warranties stated herein apply to the original purchaser of the product warranted herein and to each succeeding owner of the product purchased for ordinary home use during the term of the warranty.

Please make sure to return your registration card; while not necessary to effectuate warranty coverage, it is the best way for BSH to notify you in the unlikely event of a safety notice or product recall.

How Long the Warranty Lasts

Product built preceding January 1, 2012 with a number of FD911299999 or lower: BSH warrants that the Product is free from defects in materials and workmanship for a period of three hundred and sixtyfive (365) days from the date of purchase. The foregoing timeline begins to run upon the date of purchase, and shall not be stalled, tolled, extended, or suspended, for any reason whatsoever.

Product built subsequent to January 1, 2012 with a number of FD920100000 or higher: BSH warrants that the Product is free from defects in materials and workmanship for a period of seven hundred and thirty (730) days from the date of purchase. The foregoing timeline begins to run upon the date of purchase, and shall not be stalled, tolled, extended, or suspended, for any reason whatsoever.

This Product is also warranted to be free from cosmetic defects in material and workmanship (such as scratches of stainless steel, paint/porcelain blemishes, chips, dents, or other damage) to the finish of the Product, for a period of sixty (60) days from the date of purchase or closing date for new construction. This cosmetic warranty excludes slight color variations due to inherent differences in painted and porcelain parts, as well as differences caused by kitchen lighting, product location, or other similar factors. This cosmetic warranty specifically excludes any display, floor, "As Is", or "B" stock appliances.

Repair/Replace as Your Exclusive Remedy

During this warranty period, BSH or one of its authorized service providers will repair your Product without charge to you (subject to certain limitations stated herein) if your Product proves to have been manufactured with a defect in materials or workmanship. If reasonable attempts to repair the Product have been made without success, then BSH will replace your Product (upgraded models may be available to you, in the sole discretion of BSH, for an additional charge). All removed parts and components shall become the property of BSH at its sole option. All replaced and/or repaired parts shall assume the identity of the original part for purposes of this warranty and this warranty shall not be extended with respect to such parts. BSH's sole liability and responsibility hereunder is to repair manufacturer-defective Product only, using a BSH-authorized service provider during normal business hours. For safety and property damage concerns, BSH highly recommends that you do not attempt to repair the Product yourself, or use an unauthorized servicer; BSH will have no responsibility or liability for repairs or work performed by a non-authorized servicer. If you choose to have someone other than an authorize service provider work on your Product, THIS WARRANTY WILL AUTOMATICALLY BECOME NULL AND VOID. Authorized service providers are those persons or companies that have been specially trained on BSH products, and who possess, in BSH's opinion, a superior reputation for customer service and technical ability (note that they are independent entities and are not agents, partners, affiliates or representatives of BSH). Notwithstanding the foregoing, BSH will not incur any liability, or have responsibility, for the Product if it is located in a remote area (more than 100 miles from an authorized service provider) or is reasonably inaccessible, hazardous, threatening, or treacherous locale, surroundings, or environment; in any such event, if you request, BSH would still pay for labor and parts and ship the parts to the nearest authorized service provider, but you would still be fully liable and responsible for any travel time or other special charges by the service company, assuming they agree to make the service call.

Out of Warranty Product

BSH is under no obligation, at law or otherwise, to provide you with any concessions, including repairs, pro-rates, or Product replacement, once this warranty has expired.

Warranty Exclusions

The warranty coverage described herein excludes all defects or damage that are not the direct fault of BSH, including without limitation, one or more of the following:

- Use of the Product in anything other than its normal, customary and intended manner (including without limitation, any form of commercial use, use or storage of an indoor product outdoors, use of the Product in conjunction with air or water-going vessels).
- Any party's willful misconduct, negligence, misuse, abuse, accidents, neglect, improper operation, failure to maintain, improper or negligent installation, tampering, failure to follow operating instructions, mishandling, unauthorized service (including self-performed "fixing" or exploration of the appliance's internal workings).
- Adjustment, alteration or modification of any kind.
- A failure to comply with any applicable state, local, city, or county electrical, plumbing and/or building codes, regulations, or laws, including failure to install the product in strict conformity with local fire and building codes and regulations.
- Ordinary wear and tear, spills of food, liquid, grease accumulations, or other substances that accumulate on, in, or around the Product.
- Any external, elemental and/or environmental forces and factors, including without limitation, rain, wind, sand, floods, fires, mud slides, freezing temperatures, excessive moisture or extended exposure to humidity, lightning, power surges, structural failures surrounding the appliance, and acts of God.
- In no event shall BSH have any liability or responsibility whatsoever for damage to surrounding property, including cabinetry, floors, ceilings, and other structures or objects around the Product. Also excluded from this warranty are products on which the serial numbers have been altered, defaced, or removed; service visits to teach you how to use the Product, or visits where there is nothing wrong with the Product; correction of installation problems (you are solely responsible for any structure and setting for the Product, including all electrical, plumbing or other connecting facilities, for proper foundation/flooring, and for any alterations including without limitation cabinetry, walls, floors, shelving, etc.); and resetting of breakers or fuses.

TO THE EXTENT ALLOWED BY LAW, THIS WARRANTY SETS OUT YOUR EXCLUSIVE REMEDIES WITH RESPECT TO PRODUCT, WHETHER THE CLAIM ARISES IN CONTRACT OR TORT (INCLUDING STRICT LIABILITY, OR NEGLIGENCE) OR OTHERWISE. THIS WARRANTY IS IN LIEU OF ALL OTHER WARRANTIES, WHETHER EXPRESS OR IMPLIED. ANY WARRANTY IMPLIED BY LAW, WHETHER FOR MERCHANTABILITY OR FITNESS FOR A PARTICULAR PURPOSE, OR OTHERWISE, SHALL BE EFFECTIVE ONLY FOR THE PERIOD THAT THIS EXPRESS LIMITED WARRANTY IS EFFECTIVE. IN NO EVENT WILL THE MANUFACTURER BE LIABLE FOR CONSEQUENTIAL, SPECIAL, INCIDENTAL, INDIRECT, "BUSINESS LOSS", AND/OR PUNITIVE DAMAGES, LOSSES, OR EXPENSES, INCLUDING WITHOUT LIMITATION TIME AWAY FROM WORK, HOTELS AND/OR RESTAURANT MEALS, REMODELLING EXPENSES IN EXCESS OF DIRECT DAMAGES WHICH ARE DEFINITELY CAUSED EXCLUSIVELY BY BSH, OR OTHERWISE. SOME STATES DO NOT ALLOW THE EXCLUSION OR LIMITATION OF INCIDENTAL OR CONSEQUENTIAL DAMAGES, AND SOME STATES DO NOT ALLOW LIMITATIONS ON HOW LONG AN IMPLIED WARRANTY LASTS, SO THE ABOVE LIMITATIONS MAY NOT APPLY TO YOU. THIS WARRANTY GIVES YOU SPECIFIC LEGAL RIGHTS, AND YOU MAY ALSO HAVE OTHER RIGHTS WHICH VARY FROM STATE TO STATE.

No attempt to alter, modify or amend this warranty shall be effective unless authorized in writing by an officer of BSH.

Mode d'emploi de Home Connect

Module Wi-Fi®

Déclarations **FCC/IC**

No ID CMIIT (Chine): 2017AJ4134 (M)
FCC: 2AHES-COM2
IC: 21152-COM2

Le module Home Connect est un dispositif de communication conçu pour permettre des échanges entre les appareils électroménagers et les appareils intelligents.

Ce module est intégré en usine, sous le contrôle direct de BSH Home Appliances Corporation, et ne peut pas être réparé ni mis à niveau par l'utilisateur. Au moins 20 cm de distance doivent séparer l'utilisateur de l'appareil.

DÉCLARATION DE CONFORMITÉ DE LA FCC

MISE EN GARDE : Tout changement ou toute modification n'ayant pas fait l'objet d'une autorisation expresse peut entraîner l'annulation du droit d'utilisation de l'équipement.

Ce dispositif est conforme à la section 15 de la réglementation de la FCC.

Le fonctionnement est soumis aux deux conditions qui suivent:

(1) Cet appareil ne doit pas générer d'interférence et (2) doit accepter toute interférence reçue, notamment celle pouvant entraîner un mauvais fonctionnement.

DÉCLARATION D'INDUSTRIE CANADA

Cet appareil est conforme à la norme ou aux normes RSS sous exemption de licence d'Industrie Canada. Le fonctionnement est soumis aux deux conditions qui suivent : (1) cet appareil ne doit pas générer d'interférence et (2) doit accepter toute interférence reçue, notamment celle pouvant entraîner un mauvais fonctionnement dudit appareil

Table des Matières

Sécurité.....	22
Consignes de Sécurité Importantes.....	22
Présentation	25
Utilisation de l'appareil électroménager.....	25
Panneau à Commandes Tactiles.....	26
Fonctionnement de la hotte.....	27
Home Connect	27
Entretien et Nettoyage	30
Nettoyage des filtres à graisse.....	30
Tableau de nettoyage.....	31
Nettoyage de la surface de la hotte.....	31
Réparations.....	32
Avant d'appeler le service de réparation.....	32
Comment obtenir des services de réparation ou des pièces.....	33
Données de la plaque signalétique du produit.....	33
Service Information.....	33
Énoncé de la Garantie Limitée du Produit.....	34
Réparations, pièces et accessoires	Dernière page

Définitions des termes de Sécurité

⚠ AVERTISSEMENT

Signale un risque de mort ou de blessure grave si l'avertissement n'est pas respecté.

⚠ MISE EN GARDE

Signale un risque de blessures mineures ou modérées si la mise en garde n'est pas respectée.

AVIS: Signale un risque de dommage matériel ou de dommage à l'appareil électroménager si l'avis n'est pas respecté.

Remarque: Signale de l'information et/ou des conseils importants.

Cet appareil THERMADOR® est fabriqué par
BSH Home Appliances Corporation
1901 Main Street, Suite 600
Irvine, CA 92614 É.-U.

Questions?

1-800-735-4328

www.thermador.com

*N'hésitez pas à nous contacter, nous nous ferons
un plaisir de vous servir!*



CONSIGNES DE SÉCURITÉ IMPORTANTES LIRE ET CONSERVER CES CONSIGNES

INSTALLATEUR: Conservez ces consignes à l'intention de l'inspecteur électrique local. Laissez ces consignes avec l'appareil à l'intention du propriétaire. Montrez au propriétaire l'emplacement du disjoncteur ou du fusible du circuit. Identifiez sa position pour pouvoir le retrouver facilement.

PROPRIÉTAIRE: Prière de conserver ces consignes pour pouvoir s'y référer ultérieurement.

AVERTISSEMENT

Si les consignes du présent manuel ne sont pas suivies à la lettre, il y a un risque d'incendie ou d'électrocution pouvant entraîner des dommages matériels ou des blessures.

AVERTISSEMENT



Si les consignes du présent manuel ne sont pas suivies à la lettre, il y a un risque d'incendie ou d'électrocution pouvant entraîner des dommages matériels, des blessures ou la mort.

- NE PAS conserver ou utiliser de l'essence ou d'autres liquides et vapeurs inflammables à proximité de cet appareil électroménager ou de tout autre appareil.
- QUE FAIRE SI VOUS PERCEVEZ UNE ODEUR DE GAZ
 - NE PAS essayer de mettre un appareil électroménager sous tension.
 - NE PAS toucher d'interrupteur de courant électrique.
 - NE PAS utiliser de téléphones dans l'édifice.
 - Communiquer immédiatement avec le fournisseur de gaz depuis l'appareil téléphonique d'un voisin. Respecter les directives du fournisseur de gaz.
 - S'il s'avère impossible de joindre le fournisseur de gaz, communiquer avec les pompiers.
- Utiliser les services d'un technicien en réparation ou d'une agence de réparations autorisés, ou le fournisseur de gaz, pour procéder à l'installation et aux réparations.

AVERTISSEMENT

Couper l'alimentation du circuit électrique au boîtier à fusibles ou des disjoncteurs et le verrouiller avant de câbler cet appareil électroménager. Exigences : 120 V c.a., 60 Hz et 15 A. Après la coupure de l'alimentation électrique, laisser refroidir l'appareil électroménager avant de procéder aux réparations.

AVERTISSEMENT

Dispositif à fonctionnement automatique
Couper l'alimentation électrique avant toute réparation pour réduire le risque de blessure.

AVERTISSEMENT

POUR RÉDUIRE LE RISQUE D'INCENDIE, D'ÉLECTROCUTION OU DE BLESSURES, RESPECTER LES INDICATIONS SUIVANTES:

- Utiliser cet appareil uniquement de la façon prévue par le fabricant. Pour toutes questions, communiquer avec le fabricant à l'adresse de la dernière page ou au numéro de téléphone inscrit.
- Avant de réparer ou de nettoyer l'appareil, couper l'alimentation électrique au dispositif de sectionnement et le verrouiller pour éviter que l'alimentation ne soit rétablie accidentellement. Lorsque le dispositif de sectionnement ne peut pas être verrouillé, fixer un accessoire d'avertissement visible et adéquat, comme une étiquette, au boîtier à fusibles ou des disjoncteurs.

AVERTISSEMENT

NE PAS réparer ou remplacer une pièce de l'appareil électroménager, à moins que les manuels recommandent de le faire.

Une installation, une réparation ou un entretien incorrect(e) peut entraîner des blessures ou des dommages matériels. Consulter le présent manuel pour connaître les directives. Toute autre réparation doit être effectuée par un technicien en réparation autorisé.

AVERTISSEMENT



RISQUE D'ÉLECTROCUTION

- NE PAS enlever les raccords.
- NE PAS utiliser de rallonge.
- Tout manquement à ces directives peut entraîner la mort ou une



CONSIGNES DE SÉCURITÉ IMPORTANTES

LIRE ET CONSERVER CES CONSIGNES

Directives de mise à la terre

AVERTISSEMENT

Une mise à la terre inadéquate peut entraîner un risque d'électrocution.

Cet appareil électroménager doit être mis à la terre. En cas de court-circuit électrique, la mise à la terre réduit le risque d'électrocution en offrant au courant électrique un fil d'évacuation.

Assurez-vous que l'appareil est correctement installé et mis à la terre par un technicien qualifié. L'installation, les raccordements électriques et la mise à la terre doivent être conformes avec tous les codes en vigueur.

S'il y a lieu, conformément au Code national de l'électricité (ou au Code canadien de l'électricité), cet appareil électroménager doit être installé sur un circuit de dérivation distinct

AVERTISSEMENT

NE PAS utiliser cet appareil électroménager avec un dispositif de contrôle de la vitesse semi-conducteur pour

Codes et normes de sécurité

Cet appareil électroménager est conforme à une ou plusieurs des normes suivantes :

- UL 507, Norme en matière de sécurité pour les ventilateurs électriques
- CSA-C22.2 no 113, Ventilateurs

Il incombe au propriétaire et à l'installateur de déterminer si des exigences et/ou normes additionnelles s'appliquent pour des installations spécifiques.

MISE EN GARDE



L'appareil est lourd et son déplacement et installation exigent au moins deux personnes ou encore un équipement approprié. Des surfaces cachées peuvent avoir des rebords tranchants. Faire attention en manipulant l'appareil électroménager. Tout manquement à cette consigne pourrait entraîner des dommages matériels ou des blessures.

AVERTISSEMENT

Avertissements relatifs à la Proposition 65 de l'État de la Californie :

Ce produit peut vous exposer à des produits chimiques, comme du chlorure de vinyle, reconnu par l'État de la Californie comme causant le cancer, des malformations congénitales ou d'autres effets nocifs sur la reproduction. Pour de plus amples renseignements, consulter www.P65Warnings.ca.gov.

Ne jamais modifier ni altérer la structure (fabrication) de l'appareil électroménager. Par exemple, ne pas retirer les panneaux, les couvre-fils, les supports, les équerres de fixation ou les vis.

MISE EN GARDE

Uniquement aux fins de ventilation générale. **NE PAS** utiliser pour évacuer des matières et des gaz dangereux ou explosifs.

AVERTISSEMENT

Pour réduire le risque d'incendie, utiliser uniquement des systèmes de gaines/conduites en métal.

Utilisez les services d'un installateur qualifié.

Retirez tout le ruban et l'emballage avant d'utiliser l'appareil électroménager. Jetez l'emballage après l'installation. Ne laissez jamais les enfants jouer avec le matériel d'emballage.



CONSIGNES DE SÉCURITÉ IMPORTANTES

LIRE ET CONSERVER CES CONSIGNES

AVERTISSEMENT

POUR RÉDUIRE LE RISQUE D'INCENDIE, D'ÉLECTROCUTION OU DE BLESSURES, RESPECTER LES INDICATIONS SUIVANTES :

- Les travaux d'aménagement et de câblage électrique doivent être exécutés par du personnel qualifié en conformité à tous les codes et à toutes les normes de construction en vigueur, incluant ceux concernant les incendies.
- Un apport d'air suffisant est nécessaire pour la bonne combustion et évacuation des gaz par le carneau (cheminée), émanant de tout appareil de combustion afin d'éviter le refoulement de l'air. Respecter les lignes directrices du fabricant des appareils de chauffage et les normes de sécurité comme celles établies par la National Fire Protection Association (NFPA), la American Society for Heating, Refrigeration and Air Conditioning Engineers (ASHRAE) et les autorités locales.
- En coupant ou perçant un mur ou un plafond pour l'installation de l'appareil, s'assurer de ne pas endommager le câblage électrique et les autres services publics masqués.
- Les ventilateurs raccordés à une conduite doivent toujours évacuer l'air vers l'extérieur.

AVERTISSEMENT

POUR RÉDUIRE LE RISQUE D'INCENDIE DE GRAISSE DE CUISINIÈRE:

- Ne jamais laisser la surface de cuisson sans surveillance à feu vif.
Les débordements causent de la fumée et les résidus graisseux peuvent s'enflammer. Faire chauffer lentement les huiles à feu doux ou moyen.
- Toujours faire FONCTIONNER la hotte lorsque vous cuisinez à feu vif pour flamber certains plats (c.-à-d., crêpes Suzette, cerises Jubilé, steak au poivre flambé).
- Nettoyer régulièrement les ventilateurs. Ne pas laisser la graisse s'accumuler sur le ventilateur ou le filtre.
- Utiliser des casseroles de taille appropriée. Toujours utiliser des ustensiles de cuisine adaptés à la taille de l'élément de cuisson.

AVERTISSEMENT

POUR RÉDUIRE LE RISQUE DE BLESSURES EN CAS D'INCENDIE DE GRAISSE DE CUISINIÈRE, RESPECTER LES CONSIGNES SUIVANTES:^a

- ÉTOUFFER LES FLAMMES avec un gros couvercle bien ajusté, une plaque à biscuits ou un plateau de métal puis fermer le brûleur. ÊTRE PRUDENT, ÉVITER LES BRÛLURES. Si les flammes ne s'éteignent pas immédiatement, ÉVACUER LES LIEUX ET APPELER LES POMPIERS.
- NE JAMAIS SOULEVER UNE POÊLE EN FEU : vous risquez d'être brûlé.
- NE PAS UTILISER D'EAU, y compris un torchon à vaisselle ou une serviette mouillée, cela entraînera une explosion violente de vapeur.
- Utiliser un extincteur UNIQUEMENT si:
 - a) Vous savez que vous disposez d'un extincteur de classe ABC et savez déjà comment l'utiliser.
 - b) Le feu est petit et concentré dans la zone où il a commencé.
 - c) Vous avez appelé les pompiers.
 - d) Vous pouvez combattre l'incendie avec une sortie derrière vous.

^aExplications fondées sur « Kitchen Fire Safety Tips » (Conseils de sécurité en cas d'incendie de cuisine) publiées par la NFPA.

Présentation

Avant de Commencer

Avant d'utiliser l'appareil électroménager, assurez-vous de lire le présent manuel. Veiller à être très attentif aux Consignes de sécurité importantes imprimées au début du manuel

AVERTISSEMENT

Pour éviter tout risque de brûlure, ACTIONNER la hotte lorsque vous cuisinez à feu ou que vous faites flamber des aliments.

NE PAS utiliser tous les éléments chauffants ou les brûleurs au gaz simultanément à des réglages élevés pendant une longue période (maximum de 15 minutes). Si la hotte est installée au-dessus d'une table de cuisson au gaz, activer la hotte à la puissance maximale chaque fois que vous utilisez simultanément trois brûleurs ou plus.

Tous les modèles de votre sont homologués pour une utilisation à 120 V c.a., raccordés à un disjoncteur de 15 A. Pour de plus amples renseignements, consulter le Manuel d'installation.

Utilisation de l'appareil électroménager

Aperçu

REMARQUE: Le Guide d'utilisation et d'entretien sert à plusieurs versions de cet appareil électroménager. Par conséquent, vous y trouverez des descriptions de caractéristiques individuelles qui ne s'appliquent spécifiquement pas à votre appareil électroménager.

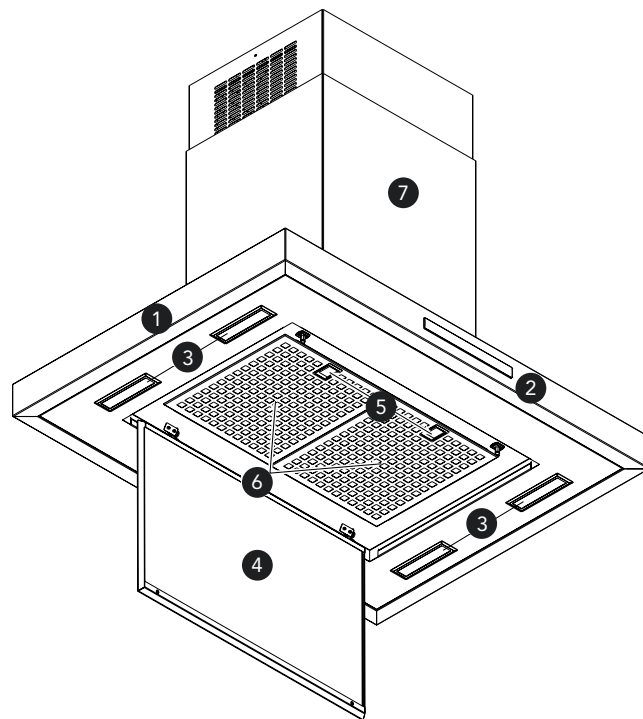
IMPORTANT: NE PAS utiliser la table de cuisson ou la cuisinière sans la hotte.

Hotte îlot

HMIB36WS et HMIB42WS

27 po (686 mm) de profondeur avec des largeurs de 36 po (914 mm) et 42 po (1067 mm).

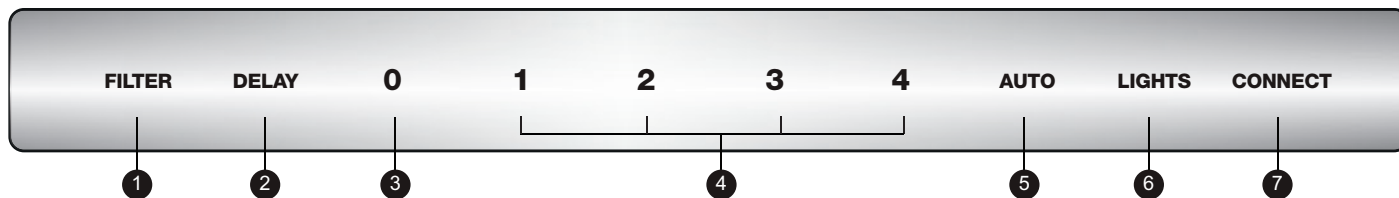
Les modèles de cette série comportent un auvent en acier inoxydable brossé avec un éclairage à DEL.



- | | |
|--------------------------|--------------------------------|
| (1) Auvent de la hotte | (5) Loquet du filtre |
| (2) Commandes tactiles | (6) Filtres à mailles hybrides |
| (3) Éclairage à DEL | (7) Conduite du carneau |
| (4) Plateau en périmètre | |

Panneau à Commandes Tactiles

REMARQUE : Les caractéristiques présentées dans le présent manuel ne s'appliquent pas à tous les modèles



(1) FILTRE

Rappel de nettoyage de filtre

Après 40 heures de fonctionnement, la touche FILTRE s'illuminera pour indiquer qu'il faut le nettoyer. Lorsque ce témoin s'allume, nettoyez les filtres. Après le nettoyage, appuyez et maintenez enfoncée la touche pendant trois secondes jusqu'au signal sonore pour réinitialiser la période de 40 heures et pour éteindre le rappel.

Recevez un rappel de nettoyage de filtre par l'appli Home Connect™ lorsqu'il est activé dans la section des réglages. Vous y verrez également l'état de saturation du filtre.

(2) TEMPORISATEUR

Arrêt temporisé

Si le système de soufflerie est éteint au moment d'appuyer sur la touche TEMPORISATION, il s'activera au réglage de vitesse la plus élevée pendant 10 minutes. Une fois le délai écoulé, le système de soufflerie s'éteindra automatiquement. Si le système de soufflerie est allumé lorsque la touche TEMPORISATION est enfoncée, le système de soufflerie fonctionne pendant 10 minutes à partir du moment la touche TEMPORISATION a été effleurée à la vitesse actuelle puis éteint. Pendant la période de 10 minutes, la touche TEMPORISATION est allumée. Pour mettre fin à une période minutée, effleurez sur une des touches de vitesse du ventilateur ou sur la touche 0 pour l'éteindre.

Il est possible de choisir une période minutée et une vitesse différentes que celles des réglages par défaut par de l'appli Home Connect™ dans le menu des réglages.

(3) 0

ARRÊT (OFF)

Effleurez une fois le « 0 » pour éteindre le système de soufflerie et réinitialiser la commande.

(4) 1 – 4

Vitesse du ventilateur

Augmente ou réduit les vitesses du ventilateur. Le témoin à DEL de la vitesse choisie du système de soufflerie restera allumée pendant son fonctionnement.

- 1 – Faible
- 2 – Moyenne
- 3 – Moyenne/Élevée
- 4 – Élevée

(5) AUTO

Mode automatique

En mode AUTO, la hotte actionne automatiquement le système de soufflerie selon la quantité de chaleur détectée. Le mode automatique s'ajuste toutes les cinq minutes. Si la commande ne détecte pas une grande quantité de chaleur, le système de soufflerie sera éteint.

Utilisez l'appli Home Connect™ pour télécommander et surveiller les vitesses de ventilation de la hotte.

(6) ÉCLAIRAGE

Commande de l'éclairage à DEL de la hotte

Cette touche commande l'éclairage à DEL. Une pression actionne l'éclairage, une deuxième l'atténue et une troisième pression l'éteint. Le curseur d'éclairage de 0 % à 100 % de l'appli Home Connect™ permet une commande supplémentaire pour obtenir le niveau parfait d'éclairage.

(7) CONNECT

Home Connect™

Cette fonction permet de connecter l'appareil mobile d'un utilisateur à la hotte. Consultez les directives de "Home Connect™".

Réglage de la tonalité

Pour activer ou désactiver le réglage de tonalité, appuyez sur les touches FILTRE et ÉCLAIRAGE pendant 3 secondes.

Vous pouvez également activer ou désactiver cette tonalité dans la section réglages de l'appli Home Connect™.

Fonctionnement de la hotte

Optimisation des résultats

- Il faudrait actionner le système de soufflerie environ cinq minutes avant la cuisson pour établir un courant d'aspiration par la hotte. Par conséquent, lors de la génération de chaleur, de fumée, d'humidité, de graisse et d'odeurs de cuisson, le tout sera évacué vers l'extérieur au lieu d'aller dans les autres pièces.
- Actionnez les faibles vitesses pour une utilisation normale et les vitesses supérieures en présence d'odeurs puissantes ou de vapeurs.
- Des courants d'air au-dessus de la cuisinière ou de la table de cuisson réduiront l'efficacité de la hotte. Dans la mesure du possible, il faudrait prévenir ces courants d'air.
- Les meilleurs résultats de ventilation dans la cuisine sont possibles lorsque les seuls courants d'air sont ceux créés par le système de soufflerie.
- Une utilisation régulière du système de ventilation lors de la cuisson permet de maintenir la cuisine confortable et moins humide.
- Utilisez un brûleur arrière pour le brunissage ou la friture de viande dans une poêle.
- Pour optimiser le rendement de l'évacuation d'air, la hotte doit être de même largeur que la table de cuisson ou la dépasser de 3 po (76,2 mm) de chaque côté. Installez uniquement ces hottes avec les systèmes de soufflerie Thermador.

Home Connect™

Avec Home Connect™, l'appareil électroménager prend en charge le Wi-Fi. Il peut être télécommandé au moyen d'un appareil mobile (par ex., une tablette, un téléphone intelligent). L'application Home Connect™ offre des fonctions supplémentaires qui complètent parfaitement l'appareil électroménager en réseau.

Home Connect™ ne fonctionne pas sur des réseaux Wi-Fi qui exigent l'enregistrement d'un navigateur notamment en saisissant un nom d'utilisateur et un mot de passe par un navigateur Web. Vous devriez disposer d'un réseau sans fil stable ayant une bonne réception et pouvant accéder à Internet.

Si l'appareil électroménager n'est pas connecté à un réseau local sans fil (WLAN, réseau domestique), il fonctionne de la même façon qu'une hotte typique sans connexion réseau et peut être commandé comme d'habitude par le panneau tactile.

REMARQUE : Veuillez vous assurer que vous respectez les consignes de sécurité décrites au début du présent manuel d'instructions et que ces dernières seront aussi respectées lors de la télécommande de l'appareil électroménager par l'appli Home Connect™ lorsque vous n'êtes pas à la maison. Veuillez également respecter les directives affichées à l'appli Home Connect™.

REMARQUE : Le fonctionnement manuel de l'appareil électroménager a toujours la priorité. À ce moment, il est impossible de le faire fonctionner au moyen de Home Connect™.

Synchronisation entre table cuisson et hotte

Vous pouvez connecter cet appareil électroménager à une table de cuisson correspondante (si la table de cuisson prend en charge la connexion). Vous pouvez alors commander les fonctionnalités de la hotte par la table de cuisson.

Il y a plusieurs options pour connecter les appareils :

Home Connect™

Avec l'appli Home Connect™, il est possible de connecter deux appareils électroménagers s'ils sont compatibles.

Pour de plus amples renseignements, consultez la documentation de Home Connect™ fournie.

Connexion directe d'appareils électroménagers

Si l'appareil électroménager est directement connecté à une table de cuisson, il est impossible de le connecter simultanément au réseau domestique. Il fonctionnera alors de la même façon qu'une hotte sans connexion réseau. Il peut être commandé comme d'habitude par le panneau de commandes tactile.

Connexion d'appareils électroménagers par le réseau domestique

Il est possible d'utiliser simultanément les commandes de la hotte sur la table de cuisson et l'appli Home Connect™ pour faire fonctionner l'appareil électroménager si les deux sont interreliés par le réseau domestique.

Remarques

- Assurez-vous de respecter les consignes de sécurité pour la hotte décrites dans le manuel d'instructions. Veillez à ce que ces consignes sont aussi respectées lors de la commande de l'appareil électroménager par les commandes de la hotte de la table de cuisson.
- Si la hotte est commandée par le panneau de commandes tactile directement sur la hotte, ce mode de fonctionnement aura toujours priorité. Au cours de cette période, il est impossible d'utiliser les commandes de la hotte sur la table de cuisson.

Établissement d'une connexion

Pour établir la connexion entre la hotte et la table de cuisson, la hotte doit être éteinte et la table de cuisson, sous tension, avant de procéder.

Connexion directe

Assurez-vous que la table de cuisson est sous tension et qu'elle est en mode de recherche.

Pour ce faire, consultez la section intitulée "Connexion de la hotte" dans le manuel d'instructions de la table de cuisson.

Remarques

- Si la hotte est directement connectée à la table de cuisson, il est impossible de la connecter simultanément au réseau domestique. Vous ne serez pas en mesure d'utiliser Home Connect™.
- La table de cuisson ne doit pas avoir de connexion au réseau domestique. Pour désactiver une connexion, respectez les directives dans la section intitulée "Déconnexion du réseau".

Appuyez et maintenez la touche CONNECT enfoncée jusqu'au clignotement de la touche. La connexion est établie entre la hotte et la table de cuisson lorsque la touche cesse de clignoter et qu'elle demeure allumée en permanence.

Connexion par le réseau domestique

Respectez les directives dans la section intitulée "Connexion de la hotte au réseau Wi-Fi domestique".

Une fois la connexion établie entre la hotte et le réseau domestique, vous pouvez utiliser l'appli Home Connect™ pour établir la connexion avec la table de cuisson. Pour ce faire, respectez les directives fournies par l'appareil mobile.

Réglages

Pour activer les réglages Home Connect™, vous devez avoir installé l'appli Home Connect™ sur un appareil mobile (par ex., tablette, téléphone intelligent). Respectez les étapes précisées par l'appli pour mettre en œuvre les réglages.

Éléments obligatoires pour connecter la hotte à Home Connect™

- Version du système d'exploitation du téléphone intelligent ou de la tablette à jour.
- Signal Wi-Fi du réseau domestique à l'emplacement de l'appareil électroménager.
- Nom et mot de passe du réseau domestique (Wi-Fi) :
(SSID):.....
Mot de passe:.....

Étape 1 : Installation de l'application Home Connect™

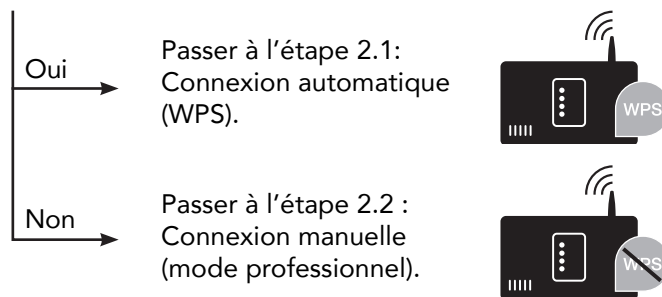
1. Depuis le téléphone intelligent ou la tablette, accédez à l'App Store (appareils Apple) ou à Google Play Store (appareils Android).
2. Saisissez "Home Connect™" dans le champ de recherche de la boutique.
3. Sélectionnez l'application "Home Connect (États Unis)" développée par BSH Home Appliances Corporation et installez-la sur le téléphone intelligent ou la tablette.
4. Ouvrez l'appli Home Connect™ et inscrivez-vous pour créer un compte Home Connect™. L'application vous guidera tout au long du processus d'enregistrement. N'oubliez pas de conserver l'adresse courriel et le mot de passe par la suite.

Conservez vos données de connexion Home Connect™ ici :

Courriel:.....
Mot de passe:.....

Étape 2 (démarrage initial): Connexion hotte au réseau domestique (Wi-Fi)

- A. Connectez l'appareil électroménager.
- B. Vérifiez que le routeur du réseau domestique dispose d'une fonctionnalité WPS (connexion automatique). Localisez la touche WPS. Pour de plus amples renseignements, consulter le manuel du routeur.
- C. Le routeur dispose-t-il d'une fonctionnalité WPS (connexion automatique)?



Étape 2.1: Connexion automatique de la hotte au réseau domestique (Wi-Fi)

- Appuyez sur la touche SPEED 1.
 - Les touches CONNECT et SPEED 1 clignotent.
 - Le processus de connexion WPS s'amorce.

- A. Remarque : Pour connecter la hotte au réseau domestique, la hotte et l'éclairage doivent être éteints. Annulez le processus à tout moment en appuyant sur "0".
- B. Appuyez et maintenez la touche CONNECT enfoncée jusqu'au clignotement de "0" et de CONNECT.
- C. Appuyez sur le "1".
Remarque: Le "1" et CONNECT clignoteront.
- D. Si vous avez un WPS (voir page antérieur), appuyez sur la touche WPS du routeur.
Remarque: Veuillez consulter le manuel du routeur pour localiser la touche WPS.
- E. L'appareil électroménager est connecté au réseau domestique quand CONNECT et "3" clignotent.
Passez à l'étape 3.

- H. L'appareil électroménager est connecté au réseau domestique quand CONNECT et le réglage du ventilateur "3" clignotent.
Passez à l'étape 3.

Erreur: La connexion de l'appareil électroménager a échoué (le témoin CONNECT s'éteindra).

Solution: Assurez-vous que le téléphone intelligent ou la tablette est bien connecté(e) au même réseau domestique (Wi-Fi). Vérifiez que la connexion sans fil est stable avec un bon signal. Répétez le processus de l'étape 2.

Connexion de la hotte à un autre Home Connect™

- I. Ouvrez les réglages généraux de l'appareil mobile puis, ceux du Wi-Fi. Établissez une connexion au même réseau domestique (Wi-Fi) que la hotte.
- J. Appuyez et maintenez la touche CONNECT enfoncée jusqu'au clignotement du témoin "3" et de CONNECT.
- K. Ouvrez l'appli sur l'appareil mobile et respectez les instructions.
- L. Dès que CONNECT cesse de clignoter sur la hotte, le processus d'inscription est terminé.

Réinitialisez la connexion à la hotte si vous désirez changer le réseau domestique sans fil comme suit :

- A. Appuyez et maintenez les touches CONNECT et du réglage du ventilateur « 0 » enfoncées sur la hotte pendant au moins trois secondes. La touche CONNECT s'éteindra.
- B. Répétez le processus de l'étape 2.

Mise à jour de logiciel

Il est possible de mettre à jour le logiciel de la hotte avec la fonctionnalité à cet effet (par ex., mises à jour d'optimisation, de dépannage ou de sécurité). Pour ce faire, vous devez être un utilisateur Home Connect™ inscrit, avoir l'appli installée sur l'appareil mobile et disposer d'une connexion au serveur Home Connect™.

L'appli Home Connect™ vous avisera dès qu'une mise à jour logicielle est offerte et vous serez en mesure de la lancer par l'application.

Une fois le téléchargement réussi, installez la mise à jour par l'appli Home Connect™ si vous êtes sur le réseau domestique.

L'appli Home Connect™ vous avisera à la fin de l'installation.

Erreur: Si CONNECT et le témoin "2" clignotent, il y a échec de la connexion en deux minutes entre la hotte et le réseau domestique Wi-Fi.

Solution: Vérifiez si la hotte est à portée du Wi-Fi et répétez le processus. En cas d'échec, consultez l'étape 2.2 pour une connexion manuelle du four.

Étape 2.2 : Connexion manuelle de la hotte au réseau domestique (Wi-Fi)

- A. Remarque : Pour connecter la hotte au réseau domestique, la hotte et l'éclairage doivent être éteints. Annulez le processus à tout moment en appuyant sur "0".
- B. Appuyez et maintenez la touche CONNECT enfoncée jusqu'au clignotement de CONNECT.
- C. Appuyez sur le "2".
Remarque : Le "2" et CONNECT clignoteront.
- D. Ouvrez les réglages généraux de l'appareil mobile puis, ceux du Wi-Fi. Établissez une connexion au réseau dénommé "HomeConnect".
Il s'agit du réseau Wi-Fi de la hotte.
Utilisez les données de connexion suivantes :
Nom du Wi-Fi/SSID : HomeConnect
Mot de passe/clé : HomeConnect
- E. Ouvrez l'appli Home Connect™ sur l'appareil mobile.
- F. L'appli vous invitera à saisir le nom et le mot de passe du réseau Wi-Fi domestique.
Remarque : L'appli peut prendre quelques minutes pour trouver la hotte.
- G. Respectez maintenant les directives de l'appli.

Entretien et Nettoyage

Nettoyage des filtres à graisse

⚠ AVERTISSEMENT

Assurez-vous que l'appareil tout entier (y compris les filtres et les ampoules) s'est refroidi et que la graisse s'est solidifiée avant de tenter de nettoyer une partie quelconque de l'appareil.

La hotte comporte des filtres à mailles d'aluminium amovibles. Ils doivent être nettoyés lorsque le témoin **FILTRE** s'allume sur le panneau tactile ou quand ils sont pleins de graisse. Des nettoyages plus fréquents pourraient être requis lorsque les filtres sont utilisés au-dessus d'une grille, d'un wok ou lors d'applications qui utilisent beaucoup de graisse.

Vous pouvez laver les filtres au lave-vaisselle ou à la main. Faites tremper les filtres de ventilation dans de l'eau chaude avec un détergent doux. Rincez bien et secouez-les pour les faire sécher.

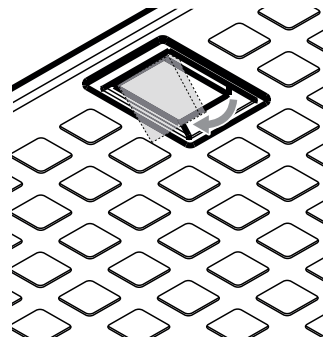
Le nettoyage des filtres au lave-vaisselle peut les décolorer légèrement. La décoloration n'a aucune influence sur le fonctionnement des filtres à graisse.

REMARQUE : Pour retirer des filtres, inversez l'ordre des directives ci-dessous. S'assurer que les filtres sont froids et que la graisse est solidifiée avant de les retirer.

REMARQUE : Ne pas utiliser la table de cuisson ou la cuisinière la hotte.

Installation des filtres :

- Retirez le filtre en tirant sur le loquet à ressort puis abaissez le filtre.
- Insérez de nouveau le filtre en vous assurant que le loquet à ressort du filtre est orienté vers l'avant. Coulissez le filtre d'aluminium dans la glissière supérieure.
- Enfoncez le dispositif du dégagement du loquet à ressort du filtre.
- Insérez le filtre d'aluminium et relâchez le levier de dégagement du loquet pour qu'il revienne en place.



Consultez des conseils et des astuces supplémentaires par l'entremise de l'application Home Connect™.

Remarques

- Vous pouvez utiliser la hotte normalement au cours du téléchargement des mises à jour.
- Selon les réglages personnels de l'appli, il est également possible d'automatiser les téléchargements des mises à jour logicielles.
- Nous vous recommandons d'installer les mises à jour de sécurité dès que possible.

Réinitialisation de la connexion

À tout moment, vous pouvez réinitialiser les connexions sauvegardées sur le réseau domestique et Home Connect™.

- Appuyez et maintenez les touches « 0 » et **CONNECT** simultanément enfoncées jusqu'à ce que le symbole **CONNECT** s'éteigne.

Protection des données

Les catégories suivantes de données sont transmises au serveur Home Connect™ lors de la première connexion de l'appareil électroménager à un réseau WLAN communicant avec Internet (première inscription) :

- Identifiant unique de l'appareil électroménager (composé des codes de l'appareil de même que l'adresse MAC du module de communication Wi-Fi installé).
- Certificat de sécurité du module de communication Wi-Fi (pour assurer une connexion informatique sécurisée).
- Versions actuelles du logiciel et du matériel informatique de l'appareil électroménager.
- État de toute réinitialisation antérieure des pré-réglages faits en usine.

La première inscription de l'appareil prépare l'utilisation des fonctions Home Connect™ et ne sont nécessaires que lors de la première utilisation des fonctions Home Connect™. **REMARQUE :** Assurez-vous que les fonctions Home Connect™ ne peuvent être utilisées qu'uniquement qu'à l'aide de l'appli Home Connect™. Consultez les renseignements concernant la protection des données sur l'appli Home Connect™.

Tableau de nettoyage

Surfaces en aluminium oxydé anodiquement	Laver le dessus et le dessous avec de l'eau chaude savonneuse. Rincer et sécher ou appliquer d'abord les produits Fantastic® ou Formula 409® sur une éponge propre ou du papier absorbant et essuyer. NE PAS UTILISER de produits nettoyants en poudre ou des tampons de laine d'acier.
Filtres à mailles d'aluminium	Nettoyer les filtres dans le lave-vaisselle ou en les agitant dans de l'eau savonneuse. S'assurer qu'il n'y a aucune salissure emprisonnée dans les mailles fines. Sécher les filtres avant de les réinstaller.
Surfaces de plastique	NE PAS ENLEVER les touches de commande. Essuyer avec une éponge humide savonneuse. Rincer et sécher.
Surfaces peintes	Pour un entretien général, laver la surface extérieure de la hotte à l'eau savonneuse ou un produit nettoyant domestique comme du Fantastic ou du Formula 409. Bien rincer et sécher avec un chiffon doux pour éviter les stries. NE PAS UTILISER de produits nettoyants en poudre ou des tampons de laine d'acier.
Surfaces en acier inoxydable	Essuyer et sécher toujours l'acier inoxydable dans le sens du grain. Éviter de mettre trop de pression, ce qui pourrait marbrer la surface. Utiliser des produits nettoyants comme le Stainless Steel Magic pour enlever les empreintes digitales et donner davantage de lustre. Ne pas laisser les composés de nettoyage en contact.

Nettoyage de la surface de la hotte

- Pour l'entretien général, essuyez la surface externe de l'acier inoxydable à l'eau tiède additionnée de savon doux. Essuyez et séchez toujours l'acier inoxydable dans le sens du grain. Évitez de mettre trop de pression, ce qui pourrait marbrer la surface.
- **NE PAS** utiliser de produits abrasif comme de la laine d'acier.
- **NE PAS** utiliser d'éponge de cellulose. Certaines éponges sont traitées avec du sel qui pourrait entraîner de la corrosion en laissant des dépôts de sel sur le métal.
- **NE PAS** laisser de composés de nettoyage en contact avec l'acier inoxydable pendant des périodes prolongées.
- **NE PAS UTILISER DE PRODUITS NETTOYANTS À BASE DE JAVELLISANT.**
- Utiliser un produit nettoyant ou un revitalisant pour acier inoxydable afin d'enlever les empreintes digitales et donner davantage de lustre. Vous pouvez acheter le Stainless Steel Conditioner de THERMADOR à la boutique en ligne (États-Unis seulement) au : www.store.thermador.com (numéro de pièce à commander - 00576697).

Avant d'appeler le service de réparation

Dépannage

Pour joindre un technicien en réparation, consultez les coordonnées à la fin du manuel. Avant de communiquer, veuillez prendre note des numéros complets de modèle et de série imprimés sur l'étiquette de la plaque signalétique du produit.

Utilisez les suggestions du tableau ci-dessous avant d'appeler le service après-vente, de manière à éviter des frais de service.

Problème	Solution suggérée
Bruit en cours de fonctionnement	<p>Une certaine quantité de bruit est normale en raison de la vibration et de la circulation d'air. Un bruit excessif pourrait être signe d'un des problèmes suivants :</p> <ul style="list-style-type: none">a) Diamètre de la conduite de trop petit ou sousdimensionnement du système de gainesb) Diamètre de la conduite trop grand ou surdimensionnement du système de gainesc) Système de gaines mal fixéd) Pièce de transition trop petite ou fixée incorrectemente) Vis à bois partiellement serréesf) Vis des boiseries partiellement serrées, etc. <p>Consulter le manuel d'installation pour vérifier si le système de gaines est bien dimensionné. Serrer les vis.</p>
Présence de bruit avec appareil éteint	<ul style="list-style-type: none">a) Volet antiretour externe de la lisse de la conduite bouge avec le vent. Cela est normal.
Système de soufflerie et éclairage inopérants	<ul style="list-style-type: none">a) Disjoncteurs du circuit de la hotte potentiellement ouvert. Ré-enclencher le disjoncteur.
Système de soufflerie du ventilateur inopérant	<ul style="list-style-type: none">a) Alimentation électrique insuffisante.b) Raccordement du câblage électrique incorrect. <p>Pour de plus amples renseignements, consulter le manuel d'installation.</p>
Hotte déclenche le disjoncteur	<ul style="list-style-type: none">a) Raccordement du câblage électrique incorrect.b) Capacité du circuit insuffisante. <p>Pour de plus amples renseignements, consulter le manuel d'installation.</p>
Extraction de la hotte inadéquate	<ul style="list-style-type: none">a) Installation trop élevée de la hotte au-dessus de la table de cuisson.b) Installation de la hotte non centrée au-dessus de la table de cuisson.c) Air d'appoint insuffisant.d) Le vent de fenêtres ou de portes ouvertes dans les environs influence de l'extraction de la hotte. Fermer toutes les portes et fenêtres pour éliminer les courants d'air extérieurs.e) Obstruction de l'orifice de la conduite ou du système de gaines. Dégager toute obstruction du système de gaines ou de l'orifice de la conduite.f) Conduite trop longue, présence excessive de coudes, plusieurs coudes installés en séquence, lisse murale ou de toit trop petite: tous ces éléments entraîneront des problèmes avec l'extraction. <p>Pour de plus amples renseignements, consulter le manuel d'installation.</p>

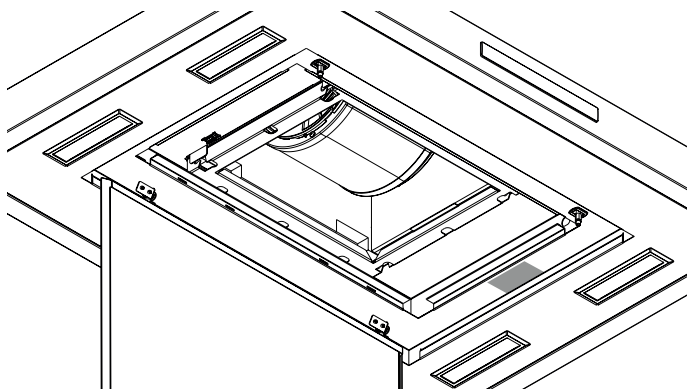
Comment obtenir des services de réparation ou des pièces

Nous souhaitons que tous nos clients soient des clients satisfaits et le demeurent. Si un problème surgit qui ne peut être résolu de façon satisfaisante, laissez-le nous savoir.

Pour joindre un technicien en réparation, consultez les coordonnées à la dernière page du manuel. Que vous écriviez ou appeliez, veuillez nous fournir les numéros de modèle et de série ainsi que la date d'achat original ou d'installation.

Données de la plaque signalétique du produit

Les données de la plaque signalétique présentent les numéros de modèle et de série. Lorsque vous avez besoin de réparations, consultez les données de l'étiquette de l'appareil électroménager. La plaque signalétique est apposée sur le cadre derrière le filtre. Pour la visualiser, il faut retirer le filtre (voir la figure ci-dessous pour un exemple).



Service Information

Pour référence pratique, copiez l'information ci-dessous tirées de la plaque signalétique apposée derrière le cadre. Conservez votre facture aux fins de validation de la garantie.

Numéro de modèle _____

Numéro de série _____

Date d'achat _____

Par ailleurs, inscrivez cette information sur le formulaire d'enregistrement du produit inclus avec ce produit.

Enregistrez le produit BSH pour assurer une réparation en temps opportun et avoir accès à l'information liée au produit. Vous pouvez enregistrer le produit de plusieurs manières :

1. Envoyez par la poste la carte d'enregistrement du produit THERMADOR dûment remplie.
2. Enregistrez le produits en ligne au www.thermador.com.
3. Appelez-nous au Service après-vente de THERMADOR au 1-800-735-4328.

Énoncé de la garantie limitée du produit

Couverture de la garantie et applications

La garantie limitée fournie par BSH Home Appliances (BSH) dans cet énoncé de garantie limitée de produit s'applique seulement à l'appareil THERMADOR® qui vous a été vendu à titre de premier acheteur, en autant que le produit ait été acheté :

- Pour votre utilisation normale, résidentielle (non commerciale), et qu'en fait, en tout temps, a été utilisé pour un usage domestique normal.
- Neuf au moment de la vente au détail (non en montre, "tel quel" ou un modèle retourné antérieurement), qu'il n'est pas destiné à la revente ni à un usage commercial.
- Aux États-Unis ou au Canada et qu'il est demeuré en tout temps dans le pays où l'appareil a été acheté.

Les garanties aux présentes s'appliquent à l'acheteur original du Produit sous garantie et à tout propriétaire successif du produit acheté pour une utilisation résidentielle habituelle et pour la durée de la garantie.

Veuillez vous assurer de retourner la carte d'enregistrement, quoiqu'elle n'est pas nécessaire, pour la couverture par la garantie. C'est la meilleure façon dont BSH peut vous aviser dans le cas peu probable d'un avis de rappel ou de sécurité du produit.

Durée de la garantie

Produit fabriqué avant le 1er janvier 2012 avec numéro de FD911299999 ou moins : BSH garantit que le produit est exempt de défauts de matériaux ou de fabrication pour une période de trois cent soixante-cinq (365) jours à compter de la date d'achat. La période susmentionnée commence à partir de la date d'achat et ne doit pas être retenue, retardée, prolongée, ou interrompue pour une raison quelconque.

Produit fabriqué après le 1er janvier 2012 avec un numéro de FD920100000 ou plus : BSH garantit que le produit est exempt de défauts de matériaux ou de fabrication pour une période de sept cent trente (730) jours à compter de la date d'achat. La période susmentionnée commence à partir de la date d'achat et ne doit pas être retenue, retardée, prolongée, ou interrompue pour une raison quelconque.

Ce produit est également garanti comme étant exempt de défaut esthétique au niveau du matériau et de la fabrication (par ex. d'égratignures sur l'acier inoxydable, d'imperfections au niveau de la peinture/porcelaine, d'éclats, de bosses ou autres dommages à la finition du produit), pour une période de soixante (60) jours à partir de la date d'achat ou de la date limite pour une construction neuve. Cette garantie esthétique exclut les variations légères de couleur causées par les différences inhérentes entre les parties peintes et les parties en porcelaine, de même que les différences causées par l'éclairage de la cuisine, l'emplacement du produit ou

autres facteurs similaires. La présente garantie esthétique exclut spécifiquement tous les appareils en montre, de plancher, "tel quel" et remis à neuf.

Réparation ou remplacement: Votre recours exclusif

Pendant ladite période de garantie, BSH, ou l'un de ses centres de réparations autorisés, réparera gratuitement le Produit (sous réserve de certaines restrictions aux présentes) si celui-ci présente des défauts de matériels ou de fabrication prouvés, provenant de sa fabrication. Si des tentatives raisonnables pour réparer le produit sont vaines, alors BSH remplacera le produit (un modèle supérieur peut être disponible, à la seule discrétion de BSH, moyennant des frais supplémentaires). Toutes les pièces et tous les composants enlevés demeurent la seule propriété de BSH. Toute pièce et/ou tout composant réparé remplacera la pièce d'origine aux fins de la présente garantie et la garantie ne sera pas prolongée en regard de telles pièces. La seule responsabilité de BSH aux présentes est uniquement de faire réparer le Produit présentant un défaut de fabrication, par un centre de réparation autorisé BSH pendant les heures d'ouverture normales. Pour la sécurité et pour éviter des dommages matériels, BSH recommande vivement de ne pas essayer de réparer le Produit soi-même ou le faire réparer par un centre de réparation non autorisé; BSH ne sera pas tenue responsable de réparations ou de travaux effectués par un centre de réparation non autorisé. Si vous choisissez de faire réparer l'appareil par une personne autre qu'un centre de réparation autorisé, CETTE GARANTIE EST AUTOMATIQUEMENT NULLE ET NON AVENUE. Les centres de réparation autorisés sont les personnes ou les entreprises qui ont été spécialement formées sur les produits BSH et qui possèdent, selon l'opinion de BSH, une réputation supérieure pour le service après-vente et la capacité technique (il est à noter qu'elles sont des entités indépendantes et non des agents, partenaires, affiliés ou représentants de BSH). Nonobstant ce qui précède, BSH ne sera pas tenue responsable d'aucune façon pour le produit

si le produit est situé dans une région éloignée (supérieure à 100 miles/160 km d'un centre de réparation autorisé) ou n'est pas accessible de façon raisonnable, dans un environnement ou un local dangereux, menaçant ou périlleux; dans une telle éventualité, à la demande du consommateur, BSH pourrait encore payer les frais de main-d'œuvre et de pièces et expédier les pièces au centre de réparation autorisé le plus près, mais le consommateur serait entièrement responsable de tous les frais de déplacement et autres frais spéciaux encourus par le centre de réparation, pourvu qu'il accepte la demande de réparation.

Produit hors garantie

BSH n'a aucune obligation, aux termes de la loi ou autrement, d'offrir toute concession, incluant réparation, prorata ou remplacement de produit une fois la garantie expirée.

Exclusions à la garantie

La couverture de garantie décrite aux présentes exclut tous les défauts ou dommages dont BSH n'est pas directement responsable, y compris, sans pour autant s'y limiter, l'un ou plusieurs des points suivants :

- Utilisation du produit autre qu'un usage normal, habituel et de la façon destinée (incluant, sans s'y limiter, toute forme d'utilisation commerciale, d'utilisation ou de rangement d'un produit pour l'intérieur à l'extérieur, d'utilisation du produit de concert avec un transporteur aérien ou marin).
- Inconduite, négligence, mauvaise utilisation, abus, accidents, fonctionnement inadéquat, mauvais entretien, installation inadéquate ou négligente, altération, non-respect des instructions de fonctionnement, mauvaise manipulation, réparation non autorisée (incluant réparation par le consommateur ou exploration du fonctionnement interne du produit), de toutes les parties, et ce, de façon délibérée.
- Réglage, modification ou altération de tout type.
- Tout manquement aux normes fédérales, territoriales, provinciales, étatiques, municipales ou électriques en vigueur au pays, aux codes de plomberie ou du bâtiment, aux réglementations ou aux lois, incluant le non-respect d'installer le produit en stricte conformité avec les codes et les réglementations du bâtiment et d'incendie locaux.
- Bris et usure normaux, déversements d'aliments ou de liquides, accumulations de graisse ou d'autres substances dans, sur ou autour du Produit.
- Toute force ou tout facteur externe, élémentaire et ou environnemental, incluant sans limitation, la pluie, le vent, le sable, les inondations, les incendies, les coulées de boue, le gel, l'humidité excessive ou l'exposition prolongée à l'humidité, la foudre, les surtensions, les problèmes de structure autour de l'appareil et les désastres naturels.
- En aucun cas, BSH ne sera tenue responsable de dommages matériels aux alentours, incluant les armoires, les planchers, les plafonds et les autres objets ou structures situés autour du Produit. Également exclus de la garantie sont les produits dont les numéros de série ont été modifiés, effacés ou enlevés; les demandes de réparations pour enseigner le fonctionnement du produit ou les visites où il n'y a aucun problème avec le produit; la correction de problèmes d'installation (le consommateur est seul responsable pour toute

structure et tout réglage du produit, incluant l'électricité, la plomberie et les autres raccordements nécessaires, pour une fondation/plancher approprié[e], et pour toute modification incluant, sans limitation, armoires, murs, planchers, tablettes, etc.) et le réenclenchement de disjoncteurs ou le remplacement de fusibles.

DANS LA MESURE AUTORISÉE PAR LOI, LA PRÉSENTE GARANTIE PRÉCISE LES RECOURS EXCLUSIFS DONT LE CONSOMMATEUR DISPOSE À L'ÉGARD DU PRODUIT, QUE LA DEMANDE SOIT FONDÉE SUR UN CONTRAT OU DÉLIT (Y COMPRIS RESPONSABILITÉ ABSOLUE OU NÉGLIGENCE) OU AUTRE. LA PRÉSENTE GARANTIE REMPLACE TOUTES LES AUTRES GARANTIES, EXPRESSES OU IMPLICITES. TOUTES GARANTIES IMPLICITES AUX TERMES DE LA LOI, QUE SE SOIT LES GARANTIES DE QUALITÉ MARCHANDE OU D'APTITUDE À UN USAGE PARTICULIER, OU AUTRES, SONT LIMITÉES DANS LE TEMPS À LA DURÉE DE CETTE GARANTIE LIMITÉE EXPRESSE. LE FABRICANT NE SERA EN AUCUN CAS RESPONSABLE DE DOMMAGES CONSÉCUTIFS, SPÉCIAUX, ACCESSOIRES, INDIRECTS OU DE « PERTES COMMERCIALES » ET/OU DE DOMMAGES PUNITIFS, DE PERTES OU DE DÉPENSES, Y COMPRIS SANS S'Y LIMITER, ABSENCE DU TRAVAIL, FRAIS D'HÔTEL ET/OU FRAIS DE RESTAURANT, FRAIS DE REMODELAGE EN EXCÉDENT DES DOMMAGES DIRECTS QUI SONT MANIFESTEMENT CAUSÉS EXCLUSIVEMENT PAR BSH, OU AUTREMENT. CERTAINS ÉTATS N'AUTORISENT PAS L'EXCLUSION OU LA LIMITATION DE DOMMAGES ACCESSOIRES OU CONSÉCUTIFS, ET CERTAINS ÉTATS N'AUTORISENT PAS LA LIMITATION DE LA DURÉE DES GARANTIES IMPLICITES, DONC LES LIMITES SUSMENTIONNÉES POURRAIENT NE PAS S'APPLIQUER À VOUS. LA PRÉSENTE GARANTIE DONNE DES DROITS PRÉCIS AU CONSOMMATEUR RECONNUS PAR LA LOI ET LE CONSOMMATEUR PEUT ÉGALEMENT AVOIR D'AUTRES DROITS QUI VARIENT D'UN ÉTAT À L'AUTRE.

Aucune tentative de modifier, changer ou amender la présente garantie ne peut être valide sans le consentement écrit autorisé par un dirigeant de BSH.

Información de usuario de Home Connect

Modulo Wi-Fi®

FCC/IC **Declaraciones**

CMIIT ID: 2017AJ4134 (M)
FCC: 2AHES-COM2
IC: 21152-COM2

El módulo Home Connect es un dispositivo de comunicaciones diseñado para proporcionar comunicación entre aparatos y dispositivos inteligentes.

Este módulo está integrado de fábrica bajo el control directo de BSH Home Appliances Corporation y no es necesario que el usuario le dé servicio ni lo actualice. Se debe mantener una distancia mínima de 20 cm entre el dispositivo y el usuario.

DECLARACIÓN DE CUMPLIMIENTO DE LA FCC

[Comisión Federal de Comunicaciones, por sus siglas en inglés]

PRECAUCIÓN: Los cambios o modificaciones no aprobados expresamente podrían invalidar su autorización para usar este equipo.

Este dispositivo cumple con la Parte 15 de las Reglas de la FCC. Su manejo es de conformidad a las siguientes dos condiciones:(1) Este dispositivo no puede causar interferencias perjudiciales, y (2) este dispositivo debe aceptar cualquier interferencia recibida, incluidas las interferencias que puedan causar un funcionamiento no deseado.

DECLARACIÓN DE LA INDUSTRIA DE CANADÁ

Este dispositivo cumple con la(s) norma(s) RSS [Especificación de Estándares de Radio, por sus siglas en inglés] de exención de licencias de la Industria de Canadá. El funcionamiento está sujeto a las siguientes dos condiciones:

- 1) este dispositivo no puede causar interferencias,
- y (2) este dispositivo debe aceptar cualquier interferencia, incluidas las que puedan causar un funcionamiento no deseado del dispositivo.

Índice de Capítulos

Seguridad.....	38
Instrucciones de Seguridad Importantes.....	38
Introducción	41
Cómo operar el aparato.....	41
Panel de control táctil.....	43
Manejar la campana.....	43
Home Connect	43
Limpieza y Cuidados	47
Limpiar filtros antigrasa.....	47
Tabla de Limpieza.....	47
Limpiar la superficie de la campana.....	47
Servicio.....	48
Antes de llamar al servicio técnico.....	48
Cómo obtener servicio técnico o refacciones.....	49
Etiqueta de datos nominales del producto.....	49
Información del servicio técnico.....	49
Declaración de Garantía Limitada del Producto.....	50
Servicio técnico, refacciones y accesorios.....	Pag. posterior

Definiciones de Seguridad

⚠ ADVERTENCIA

Esto indica que pueden producirse la muerte o heridas graves si no se cumple con esta advertencia

⚠ PRECAUCIÓN

Esto indica que pueden producirse heridas leves o moderadas si no se cumple con esta advertencia.

ATENCIÓN: Esto indica que pueden producirse daños en el aparato o en los bienes si no se cumple con este aviso.

Nota: Esto alerta sobre información y/o sugerencias importantes.

Este aparato THERMADOR® está fabricado por
 BSH Home Appliances Corporation
 1901 Main Street, Suite 600
 Irvine, CA 92614

¿Tiene preguntas?
 1-800-735-4328

www.thermador.com

¡Esperamos tener noticias tuyas pronto!



INSTRUCCIONES DE SEGURIDAD IMPORTANTES LEER Y CONSERVAR ESTAS INSTRUCCIONES

INSTALADOR: Conservar estas instrucciones para que las use el inspector de electricidad local. Dejar estas instrucciones con esta unidad para el propietario. Mostrar al propietario la ubicación del breaker del circuito o del fusible. Marcarla para recordar más fácilmente.

PROPIETARIO: Conserve estas instrucciones para referencia futura.

ADVERTENCIA

Si no sigue la información de este manual exactamente, se puede ocasionar un incendio o una descarga eléctrica que pueden causar daños materiales o lesiones personales.

ADVERTENCIA



Si no sigue la información de este manual exactamente, se puede ocasionar un incendio o una descarga eléctrica que pueden causar daños materiales, lesiones personales o la muerte.

- NO almacenar ni usar gasolina u otros vapores y líquidos inflamables en la proximidad de este aparato o cualquier otro.
- QUÉ HACER SI SE DETECTA OLOR A GAS
 - NO trate de encender ningún aparato.
 - NO toque ningún interruptor eléctrico.
 - NO utilice ningún teléfono en su edificio.
 - Llame inmediatamente a su proveedor de gas desde un teléfono vecino. Siga las instrucciones del proveedor de gas.
 - Si no puede contactar a su proveedor de gas, comuníquese con el departamento de bomberos.
- La instalación y el mantenimiento deben ser realizados por un servicio técnico autorizado, una agencia de servicio técnico o por el proveedor de gas.

ADVERTENCIA

Apagar el circuito de alimentación eléctrica en el panel de servicio y bloquear el panel antes de conectar los cables de este aparato. Requisito: 120 VAC, 60 Hz 15 A. Dejar que se enfríe el aparato después de apagar la alimentación eléctrica y antes de realizar el mantenimiento del aparato.

ADVERTENCIA

Dispositivo con funcionamiento automático
Para reducir el riesgo de sufrir lesiones, desconectar de la fuente de alimentación antes de realizar el mantenimiento.

ADVERTENCIA

PARA REDUCIR EL RIESGO DE INCENDIO, DESCARGA ELÉCTRICA O LESIONES SOBRE LAS PERSONAS, CUMPLIR LO SIGUIENTE:

- Utilizar esta unidad solo de la manera prevista por el fabricante. Si surge alguna pregunta, ponerse en contacto con el fabricante en la dirección y teléfono que aparecen en la página posterior.
- Antes de limpiar o realizar el mantenimiento de la unidad, apagar el interruptor de electricidad en el panel de servicio y bloquear el panel de servicio para evitar una conexión accidental de la corriente. Si no es posible bloquear el panel de servicio, colocar alguna forma de advertencia visible, como una nota, sobre los interruptores del panel de servicio.

ADVERTENCIA

NO reparar ni reemplazar ninguna pieza del electrodoméstico, a menos que se recomiende específicamente en los manuales.

Una instalación, servicio o mantenimiento inadecuados pueden causar lesiones o daños materiales. Consultar este manual para recibir ayuda. Todos los demás servicios debe realizarlos un técnico de mantenimiento autorizado.

ADVERTENCIA



PELIGRO DE DESCARGA ELÉCTRICA

- NO retirar las conexiones.
- NO usar un cable de extensión.
- No seguir estas instrucciones puede producir la muerte o una descarga eléctrica.



INSTRUCCIONES DE SEGURIDAD IMPORTANTES

LEER Y CONSERVAR ESTAS INSTRUCCIONES

Instrucciones para la conexión a tierra

ADVERTENCIA

La conexión incorrecta a tierra puede causar una descarga eléctrica.

Este electrodoméstico debe estar conectado a tierra. En caso de cortocircuito, la conexión a tierra reduce el riesgo de descarga eléctrica, ya que se trata de un cable de salida por el que puede desviarse la corriente eléctrica.

Asegurarse de que el aparato está correctamente instalado y conectado a tierra por un técnico calificado. La instalación, las conexiones eléctricas y la conexión a tierra deben cumplir con todos los códigos correspondientes.

Si el Código Nacional Eléctrico (o el Código Eléctrico Canadiense) así lo requiere, este aparato debe instalarse en un circuito dedicado por separado.

ADVERTENCIA

Para reducir el riesgo de incendio o de descarga eléctrica, **NO** usar este aparato con ningún controlador de velocidad de estado sólido.

Códigos y normas de seguridad

Este aparato cumple con las siguientes normas:

- UL 507, la norma de seguridad para ventiladores eléctricos.
- CSA-C22.2 n.º 113, para ventiladores y ventilaciones.

Es responsabilidad del propietario y del instalador determinar si se aplican otros requisitos y/o normas en instalaciones específicas.

PRECAUCIÓN



La unidad es pesada y se requieren al menos dos personas o un equipo adecuado para trasladarla e instalarla.

Las superficies ocultas podrían tener bordes afilados. Tener cuidado al manejar el electrodoméstico. No hacerlo puede causar daños materiales o lesiones personales.

ADVERTENCIA

Advertencias en virtud de la Proposición 65 del estado de California:

Este producto puede exponerle a sustancias químicas, incluyendo cloruro de vinilo, que el estado de California sabe que provocan cáncer, defectos congénitos u otros daños reproductivos. Para obtener más información, acceder a www.P65Warnings.ca.gov.

No modificar ni alterar la construcción del electrodoméstico. Por ejemplo, no retirar los paneles, las cubiertas para cables ni las placas de fijación o los tornillos.

PRECAUCIÓN

Solo para un uso de ventilación general. **NO** utilizar para la evacuación de materiales y vapores peligrosos o explosivos.

ADVERTENCIA

Para reducir el riesgo de incendio, utilizar únicamente conductos metálicos.

Usar un instalador calificado.

Retirar toda la cinta y el embalaje antes de usar el electrodoméstico. Destruir el embalaje después de la instalación. No dejar nunca que los niños jueguen con el material de embalaje.

ADVERTENCIA

PARA REDUCIR EL RIESGO DE INCENDIO, DESCARGA ELÉCTRICA O LESIONES SOBRE LAS PERSONAS, CUMPLIR LO SIGUIENTE:

- El trabajo de instalación y de conexión del cableado eléctrico debe ser realizado por una persona o personas calificadas de acuerdo con todos los códigos y normas aplicables, incluida la construcción relacionada con incendios.
- Se necesita una cantidad suficiente de aire para la correcta combustión y extracción de gases a través de la salida de humos (chimenea) del equipo de quema de combustible para evitar el reflujo. Seguir las pautas del fabricante de equipos de calefacción y las normas de seguridad como las publicadas por la Asociación Nacional de Protección contra Incendios (NFPA) y la Sociedad Americana de Ingenieros de Calefacción, Refrigeración y Aire Acondicionado (ASHRAE) y las autoridades locales de códigos.
- Cuando se corte o perfore la pared o el techo, no dañar el cableado eléctrico ni otros sistemas ocultos.
- Los ventiladores entubados siempre deben evacuarse hacia el exterior.



INSTRUCCIONES DE SEGURIDAD IMPORTANTES

LEER Y CONSERVAR ESTAS INSTRUCCIONES

ADVERTENCIA

PARA REDUCIR EL RIESGO DE UN INCENDIO POR GRASA:

- No dejar nunca las unidades de la superficie desatendidas con ajustes de calor elevado.
- Los derrames provocan humo y salpicaduras de grasa que pueden incendiarse. Calentar el aceite lentamente, con temperaturas bajas o medias.
- ENCENDER siempre la campana al cocinar a fuego alto o al flambear (p.ej. crepes Suzette, cerezas Jubilee, carne de res flambeada a la pimienta).
- Limpiar los ventiladores con frecuencia. No debe permitirse la acumulación de grasa en un ventilador o filtro.

ADVERTENCIA

PARA REDUCIR EL RIESGO DE LESIONES SOBRE LAS PERSONAS EN CASO DE INCENDIO POR GRASA, CUMPLIR LO SIGUIENTE:

- SOFOCAR LAS LLAMAS con una tapa ajustada, una bandeja para hornear o una bandeja metálica y a continuación, apagar la zona de cocción. TENER CUIDADO PARA EVITAR QUEMADURAS. Si las llamas no se apagan inmediatamente, EVACUAR EL LUGAR Y LLAMAR AL DEPARTAMENTO DE BOMBEROS.
- NO AGARRAR NUNCA UN SARTÉN EN LLAMAS: se pueden sufrir quemaduras.
- NO UTILIZAR AGUA ni trapos o toallas húmedos: podría producirse una explosión de vapor violenta.
- Utilizar un extintor SOLO si:
 - a) Se tiene un extintor de clase ABC y se sabe cómo manejarlo.
 - b) El fuego es pequeño y se mantiene en la zona donde comenzó;
 - c) Se ha llamado al departamento de bomberos;
 - d) Se puede combatir el fuego con una vía de escape a su espalda.

^aBasado en los «Kitchen Fire Safety Tips» [Recomendaciones de seguridad contra incendios en la cocina] publicados por la NFPA.

Introducción

Antes de empezar

Antes de usar el electrodoméstico, asegurarse de leer este manual. Prestar especial atención a las Instrucciones de seguridad importantes situadas al inicio del manual.

⚠ ADVERTENCIA

Para evitar el riesgo de quemaduras, **ENCENDER** la campana extractora al cocinar a fuego alto o al flambear.

NO utilizar todas las zonas de cocción o los quemadores de gas de forma simultánea a potencias elevadas durante un periodo prolongado de tiempo. (máx.15 minutos).

Si la campana extractora está situada sobre una estufa de gas, utilizar la campana en el nivel máximo siempre que se estén usando tres o más quemadores

Todos los modelos de campana están ajustados para 120 VAC, con un breaker del circuito de 15 A, consultar más información en el Manual de instalación.

Cómo operar el aparato

Vista general

NOTA: la Guía de uso y cuidado se aplica a varias versiones de este aparato. En consecuencia, se pueden encontrar descripciones de características individuales que no se aplican a siempre a todos los aparatos.

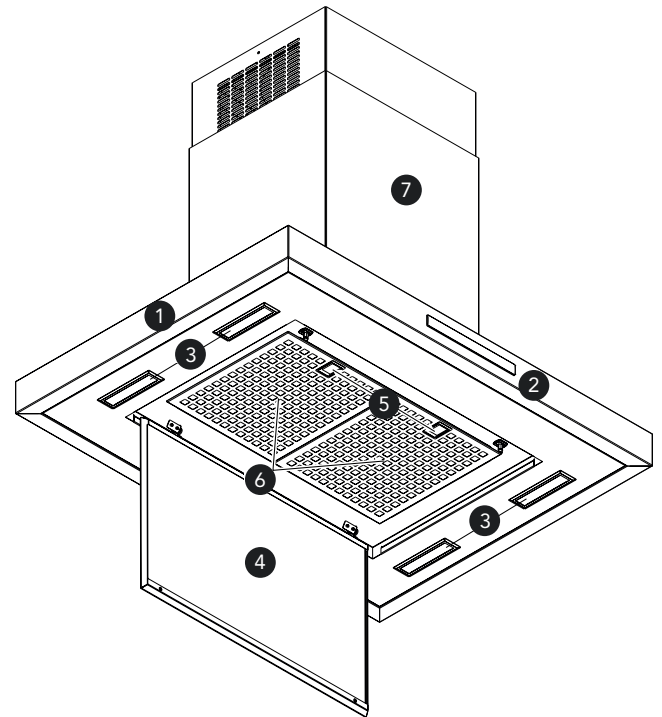
IMPORTANTE: **NO** usar la placa de cocción, la estufa o la estufa de sobrepone mientras la campana esté desmontada.

Campana extractora de isla

HMIB36WS y HMIB42WS

27" (686 mm) de profundidad con anchuras de 36" (914 mm) 42" (1067 mm).

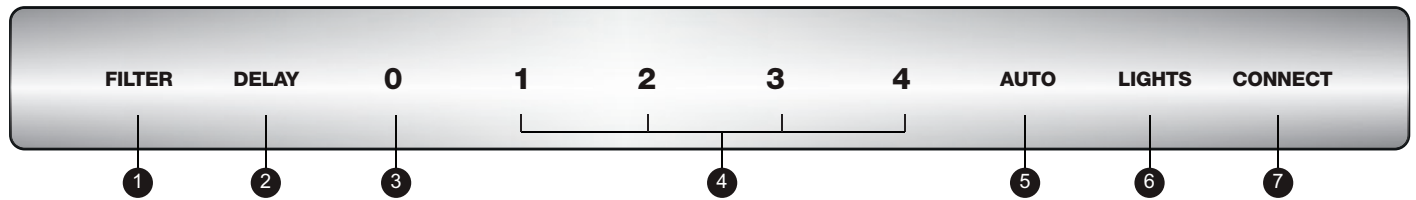
Esta serie de modelos está fabricada de acero inoxidable cepillado con iluminación LED.



- | | |
|---------------------------------------|---------------------------------|
| (1) Cubierta de la campana extractora | (5) Pestillo del filtro |
| (2) Control táctil | (6) Filtros de malla híbridos |
| (3) Iluminación LED | (7) Ducto de la salida de humos |
| (4) Plato perimetral | |

Panel de control táctil

NOTA: No todas las funciones a las que se hace referencia en este manual se aplican a todos los modelos.



(1) **FILTER**
(Filtro)

Recordatorio limpieza filtro

Después de 40 horas de funcionamiento, el botón FILTER se iluminará indicando que el filtro necesita ser lavado. Cuando este indicador se ilumine proceda a lavar los filtros de grasa. Después de limpiarlo, mantenga presionado el botón FILTER durante 3 segundos hasta que se emite un bip para restablecer el periodo de 40 horas y apagar el recordatorio.

Reciba un recordatorio para limpiar sus filtros a través de la app Home Connect™, cuando la active en la sección Configuración, así como ver el estatus de saturación de sus filtros.

(2) **DELAY**
(Retraso)

Retrasar el apagado

Si el ventilador está apagado cuando se presiona el botón DELAY, el ventilador se encenderá en velocidad alta por 10 minutos. Una vez que el tiempo termine, el motor se apagará automáticamente. Si el motor está encendido mientras el botón DELAY se presiona, el motor permanecerá encendido 10 minutos desde que se presionó el botón, en la misma velocidad. Durante el periodo de 10 minutos, el botón DELAY permanecerá iluminado. Para interrumpir el tiempo, presione cualquier botón de velocidad o el botón "0" para inhabilitarlo.

Tiene la posibilidad de escoger un diferente periodo de tiempo y velocidad que los configurados a través de la app Home Connect™ en el menú Configuración.

(3) **0**

OFF (Desactivado)

Tocar "0" una vez para apagar el ventilador y resetear el control.

(4) **1 – 4**

Velocidad del ventilador

Aumenta o disminuye la velocidad del ventilador. El LED de la velocidad del ventilador seleccionada permanecerá iluminado.

- 1 – Baja
- 2 – Media
- 3 – Media/Alta
- 4 – Alta

(5) **AUTO**

Modo automático

En el modo AUTO, la campana enciende automáticamente el ventilador, en función de la cantidad de calor que el control detecte. Se ajusta automáticamente cada 5 minutos. Si el control no detecta un nivel alto de calor, apagará el ventilador.

Puede tener control remoto y monitoreo de las velocidades de la campana a través de la app Home Connect™.

(6) **LUCES**

Control de la iluminación LED

Este botón controla la iluminación LED. La primera presión enciende las luces. Una segunda presión atenúa las luces. Una tercera presión apaga las luces. La aplicación Home Connect™ cuenta con un regulador de la iluminación 0-100% que permite tener un control adicional para obtener el nivel perfecto de luz.

(7) **CONNECT**

Home Connect™

Esta función permite al usuario conectar la campana con un dispositivo móvil. Vea la sección "Home Connect™" en la página 43.

Tono de Control

Para encender/apagar el tono de control, mantener presionado el botón de las LUCES y del FILTRO por 3 segundos. El tono de control también se puede apagar o encender a través de la app Home Connect™.

Manejar la campana

Para obtener mejores resultados

- El ventilador debe encenderse durante aproximadamente 5 minutos antes de cocinar para establecer corrientes de aire hacia arriba a través de la campana. De este modo, cuando se producen calor, humo, humedad, grasa y olores de cocina, se transportarán hacia el exterior en lugar de colarse hacia otras habitaciones.
- Usar las velocidades bajas para uso normal y las velocidades más altas para olores o humos fuertes.
- Las corrientes de aire que crucen la superficie de cocción reducirán la eficacia de la campana. Estas corrientes de aire deben evitarse en la medida de lo posible.
- El mejor resultado de ventilación en la cocina se obtiene cuando las corrientes de aire solo las genera el ventilador.
- El uso regular del sistema de ventilación durante la cocción ayuda a mantener la cocina cómoda y menos húmeda.
- Usar un quemador trasero al preparar carne frita o a la plancha.
- Para un desempeño óptimo, la anchura de la campana debe ser igual a la de la superficie de la placa de cocción o de la estufa, o bien superarla en 3 pulgadas de cada lado. Instalar estas campanas solamente con ventiladores Thermador.

Home Connect™

Con Home Connect™, el aparato es compatible con Wi-Fi y se puede controlar remotamente utilizando un dispositivo móvil (por ejemplo, tablet, PC, smartphone). La aplicación Home Connect™ ofrece funciones adicionales que son un complemento perfecto para el aparato en red.

Home Connect™ no funciona a través de redes Wi-Fi que requieran el registro del navegador, es decir, un nombre de usuario y una contraseña introducidos a través de un navegador. Se debe tener una red inalámbrica estable con buena recepción y acceso a Internet.

Si el aparato no está conectado a la red WLAN (red doméstica), funciona de la misma manera que una campana típica sin conexión a la red y puede funcionar como de costumbre a través del panel táctil.

NOTA: Asegurarse de seguir las instrucciones de seguridad proporcionadas al principio de este manual de instrucciones y que éstas también se observen al operar el aparato a través de la aplicación Home Connect™ y cuando se esté fuera de casa. Seguir también las instrucciones de la aplicación Home Connect™.

NOTA: El funcionamiento en el dispositivo siempre tiene prioridad, y durante este tiempo no es posible operar el dispositivo con la aplicación Home Connect™.

Placa de cocción - Sincronizar campana extractora

Se puede conectar este electrodoméstico a una placa de cocción compatible (si la placa de cocción admite la conexión a la campana) y luego controlar las funciones de la campana a través de la placa de cocción.

Hay varias opciones para conectar los electrodomésticos:

Home Connect™

Se pueden conectar dos dispositivos utilizando la aplicación Home Connect™ siempre que ambos sean compatibles con Home Connect™.

Consultar la documentación suministrada con Home Connect™ para más información.

Conectar electrodomésticos directamente

Si se conecta el electrodoméstico directamente a la placa de cocción, no se puede conectar al mismo tiempo a la red doméstica. El aparato funcionará igual que una campana que no esté conectada a la red y se puede seguir manejarlo mediante el panel de control táctil.

Conectar electrodomésticos mediante la red doméstica

Si los aparatos están conectados entre sí a través de la red doméstica, tanto los controles de la campana en la placa de cocción como Home Connect™ se pueden usar para manejar el electrodoméstico.

Notas

- Asegurarse de seguir las instrucciones de seguridad en el manual de instrucciones de la campana y de que se cumplan incluso cuando se maneje el aparato a través de los controles de la campana situados en la placa de cocción.
- Si se maneja la campana con el panel de control táctil de la propia campana, este modo de funcionamiento siempre tiene prioridad. Durante este tiempo, no se pueden usar los controles de la campana situados en la placa de cocción.

Configurando una Conexión

Para configurar la conexión entre la campana y la placa de cocción, la campana debe estar apagada y la placa de cocción debe estar encendida antes de poder conectar ambos electrodomésticos.

Conectar directamente

Asegurarse de que la placa de cocción esté encendida y en modo de búsqueda.

Para ello, consultar la sección titulada "Conectar a la campana" en el manual de instrucciones de la placa de cocción.

Notas

- Si la campana está conectada directamente a la placa de cocción, no se puede conectar al mismo tiempo a la red de internet doméstica y no se podrá usar Home Connect™.
- La placa de cocción no debe estar conectada a la red doméstica. Para interrumpir una conexión, seguir las instrucciones de la sección titulada «Desconectar de la red».

Mantener presionado el botón CONNECT hasta que empiece a parpadear. La campana se ha conectado a la placa de cocción cuando el botón CONNECT deja de parpadear y permanece continuamente iluminado.

Conectar mediante la red doméstica de Wi-Fi

Seguir las instrucciones de la sección titulada "Conectar la campana a la red doméstica (Wi-Fi)" en la página 45.

Cuando la campana esté conectada a la red de internet doméstica, se puede conectar a la placa de cocción a través de la aplicación Home Connect™. Para ello, seguir las instrucciones del dispositivo móvil.

Configuración

Para realizar la configuración a través de Home Connect™, se debe tener instalada la aplicación Home Connect™ en un dispositivo móvil (p.ej. tableta, teléfono inteligente). Seguir los pasos especificados por la aplicación para implementar los ajustes.

¿Qué se necesita para conectar la campana a Home Connect™?

- El teléfono inteligente o tableta debe estar ejecutando la última versión del sistema operativo que utiliza.
- Una señal de red doméstica (Wi-Fi) en el lugar donde está ubicado el electrodoméstico.
- Nombre y contraseña de su red doméstica (Wi-Fi):
(SSID):.....
Contraseña:.....

Paso 1: Instalar la aplicación Home Connect™

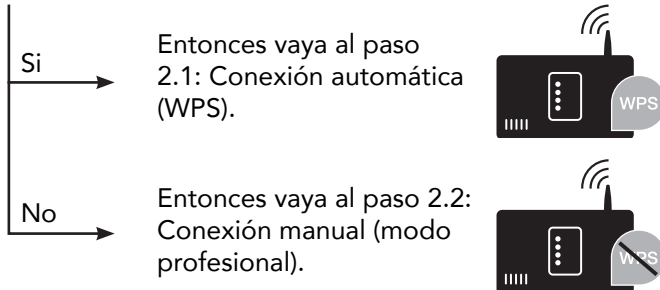
1. En el teléfono inteligente o tableta, ir a la App Store (dispositivos Apple) o a Google Play Store (dispositivos Android).
2. Escribir "Home Connect™" en el campo de búsqueda.
3. Seleccionar la aplicación "Home Connect (America)", publicada por BSH Home Appliances Corporation, e instálela en su teléfono inteligente o tableta.
4. Abrir la aplicación Home Connect™ y presionar en "Register" para crear una cuenta nueva de Home Connect™. La aplicación le guiará a través del proceso de registro. No olvide anotar su dirección de correo electrónico y la contraseña después.

Guardar aquí la información de inicio de sesión de Home Connect™:

Correo electrónico:.....
Contraseña:.....

Paso 2 (iniciar funcionamiento): Conectar la campana a la red doméstica (Wi-Fi)

- A. Conectar el electrodoméstico.
- B. Comprobar si el router de la red doméstica tiene una función WPS (conexión automática) y localizar el botón WPS. Para obtener más información, consultar el manual del router.
- C. Su router tiene una función WPS (Conexión automática)?



Paso 2.1: Conectar automáticamente la campana a la red doméstica (Wi-Fi)

- Presionar el botón VELOCIDAD 1.
 - Los botones CONECTAR y VELOCIDAD 1 parpadean.
 - Proceso de conexión WPS iniciado.
- A. NOTA: Para conectar la campana extractora a la red de internet doméstica, la campana y la luz deben estar apagadas. Se puede cancelar el proceso en cualquier momento al presionar 0.
- B. Mantener presionado el botón CONNECT hasta que "0" y "CONNECT" empiecen a parpadear.
- C. Presionar "1".
Nota: "1" y "CONNECT" parpadean.
- D. Si tiene WPS (consulte la página anterior) presione el botón WPS en el router.
Nota: Consultar el manual del router para localizar el botón WPS.
- E. Cuando "CONNECT" (Conectar) y "3" parpadeen, el electrodoméstico estará conectado a la red de internet doméstica.
Continuar con el paso 3.

Error: Si las luces de «CONNECT» (Conectar) y «2» parpadean, el electrodoméstico no pudo establecer una conexión con la red Wi-Fi doméstica en un plazo de 2 minutos.
Solución: Comprobar que la campana esté dentro del rango de la red Wi-Fi y repetir el proceso. Si no se puede realizar la conexión, consultar el paso 2.2 para conectar el electrodoméstico de forma manual.

Paso 2.2: Conectar manualmente la campana a la red doméstica (Wi-Fi)

- A. Nota: Para conectar la campana extractora a la red de internet doméstica, la campana y la luz deben estar apagadas. Se puede cancelar el proceso en cualquier momento al presionar "0".
- B. Mantener presionado el botón "CONNECT" hasta que empiece a parpadear.
- C. Presionar "2".
Nota: "2" y "CONNECT" parpadean.
- D. Abrir los ajustes generales del dispositivo móvil y luego abrir los ajustes de Wi-Fi. Conectarse a la red llamada "HomeConnect".
Esta es la red doméstica Wi-Fi de la campana.
Usar la siguiente información de inicio de sesión para conectarse:
Nombre de Wi-Fi/SSID: HomeConnect
Contraseña: HomeConnect
- E. Abrir la aplicación Home Connect™ en el dispositivo móvil.
- F. La aplicación le pedirá que introduzca el nombre de la red doméstica Wi-Fi y la contraseña.
Nota: La aplicación puede tardar unos minutos en localizar la campana.
- G. A continuación, seguir las indicaciones de la aplicación.
- H. Cuando "CONNECT" (Conectar) y el ajuste de ventilador "3" parpadeen, el electrodoméstico estará conectado a la red de internet doméstica.
Continuar con el paso 3.

Error: El electrodoméstico no puede conectarse a la aplicación (la luz de «CONNECT» (Conectar) se apagará).

Solución: Asegurarse de que el teléfono inteligente o la tableta estén conectados a la misma red de internet doméstica (Wi-Fi). Comprobar que la conexión inalámbrica es estable y tiene una señal fuerte. A continuación, repetir el proceso desde el paso 2.

Conectar la campana a otra cuenta Home Connect™

- A. Abrir los ajustes generales del dispositivo móvil y luego abrir los ajustes de Wi-Fi. Conectar a la misma red doméstica (Wi-Fi) que la campana.
- B. Mantener presionado el botón "CONNECT" hasta que los botones "CONNECT" y "3" empiecen a parpadear.
- C. Abrir la aplicación en el dispositivo móvil y seguir las instrucciones.
- D. El proceso de registro ha finalizado una vez que "CONNECT" (Conectar) deja de parpadear en la campana extractora.

Si se quiere cambiar la red inalámbrica doméstica que está conectada a la campana extractora, restablecer la conexión con la campana; para ello:

- A. Mantener presionados los botones "CONNECT" (Conectar) y ajuste de ventilador "0" en la campana durante al menos 3 segundos. El botón "CONNECT" (Conectar) se apagará.
- B. Repetir el proceso desde el paso 2.

Actualización de Software

Mediante la función de actualización de software, se puede actualizar el software de la campana (por ejemplo, para optimizarlo, solucionar problemas o para recibir actualizaciones de seguridad). Para hacerlo, se necesita

ser usuario registrado en Home Connect™, haber instalado la aplicación en un dispositivo móvil y estar conectado al servidor de Home Connect™.

Tan pronto como se dispone de una actualización de software, el usuario es informado a través de la aplicación Home Connect™, quien puede iniciar la actualización de software mediante la aplicación.

Cuando la actualización se ha descargado correctamente, se puede instalar mediante la aplicación Home Connect™ si el usuario se encuentra en la red de área local.

Una vez que finaliza la instalación, la aplicación Home Connect™ informa al usuario.

Notas

- Se puede seguir usando la campana como siempre mientras se descargan las actualizaciones.
- En función de los ajustes personales de la aplicación, también se pueden configurar las actualizaciones de software para que se descarguen de forma automática.
- Recomendamos que se instalen las actualizaciones de seguridad lo antes posible.

Restablecer la conexión

Puede restablecer las conexiones que has salvado en tu red doméstica y en la aplicación Home Connect™ en cualquier momento.

- Mantenga presionados los botones 0 y CONNECT al mismo tiempo hasta que el símbolo CONNECT deje de iluminarse.

Protección de Datos

Cuando su dispositivo se conecte por primera vez a la red WLAN, que está conectada a Internet, su dispositivo transmitirá las siguientes categorías de datos al servidor Home Connect™ (registro inicial):

- Identificación única del aparato (que consta de códigos del aparato así como la dirección MAC del módulo de comunicación Wi-Fi instalado).
- Certificado de seguridad del módulo de comunicación Wi-Fi (para asegurar una conexión TI segura).
- La versión actual de software y hardware del aparato doméstico.
- Estado de cualquier ajuste previo a los ajustes de fábrica.

Este registro inicial prepara las funciones de la aplicación Home Connect™ para su uso y sólo se requiere cuando usted quiere usar estas funciones por primera vez.

NOTA: Asegúrese que las funciones Home Connect™ puedan ser usadas en conjunto con la app Home Connect™. La información sobre la protección puede ser accesada en la aplicación Home Connect™.

Limpeza y Cuidados

Limpiar filtros antigrasa

⚠ ADVERTENCIA

Asegurarse de que todo el aparato (incluidos los filtros antigrasa y las luces) se haya enfriado, y la grasa se haya solidificado antes de intentar limpiar cualquier parte del aparato.

La campana cuenta con filtros de malla de aluminio extraíbles. Deben limpiarse cuando se ilumine la luz FILTER (filtro) en el panel táctil o siempre que hayan recogido grasa.

Cuando se usa sobre una parrilla, wok u otras aplicaciones con alto contenido de grasa, puede ser necesaria una limpieza más frecuente.

Los filtros pueden lavarse a mano o en el lavavajillas. Poner en remojo los filtros de ventilación en agua caliente con detergente suave. Enjuagarlos bien y sacudirlos para que se sequen.

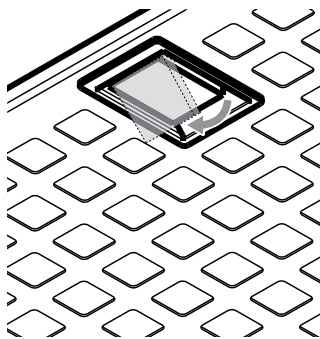
Puede producirse una ligera decoloración en los filtros cuando se limpian en un lavavajillas. Esto no influye en el funcionamiento de los filtros antigrasa.

NOTA: Invertir las instrucciones que vienen a continuación para extraer los filtros. Asegurarse de que los filtros estén fríos y que la grasa se haya solidificado antes de extraerlos.

NOTA: No usar la placa de cocción, la estufa o la estufa de sobreponer mientras la campana esté desmontada.

Para instalar los filtros:

- Retirar el filtro jalando el seguro del resorte del filtro y jalando luego el filtro hacia abajo.
- Volver a instalar el filtro asegurándose de que el seguro del resorte del filtro está orientado hacia el frente. Insertar el filtro de aluminio en el surco superior.
- Presionar el seguro del resorte del filtro.
- Empujar hacia arriba el filtro de aluminio y soltar la manija para que encaje en su lugar.



Acceda a tips adicionales a través de la aplicación Home Connect™.

Tabla de Limpieza

Superficies de aluminio anodizado	Lavar la parte superior e inferior con agua jabonosa caliente. Enjuagar y secar o aplicar Fantastic® o Formula 409® primero en una esponja limpia o toalla de papel y frotar. NO USAR limpiadores en polvo ni fibras de acero
Filtros de malla de aluminio	Limpiar los filtros en el lavavajillas o agitando los en agua jabonosa. Asegurarse de que no haya restos de suciedad atrapados en la malla fina. Secar los filtros antes de volver a colocarlos.
Superficies plásticas	NO EXTRAER los botones de control. Limpiar con una esponja humedecida con agua y jabón. Enjuagar y secar.
Superficies pintadas	Para un cuidado general, limpiar la parte exterior de la campana con agua jabonosa o limpiadores domésticos como Fantastic o Formula 409, enjuagar bien y secar con un paño suave y limpio para evitar marcas de agua. NO UTILIZAR limpiadores en polvo o fibras de acero.
Superficies de acero inoxidable	Limpiar y secar el acero inoxidable en la misma dirección del grano. Evitar ejercer demasiada presión, ya que puede dañar la superficie. Para eliminar huellas y abrillantar, usar limpiadores como Stainless Steel Magic. No dejar que ningún compuesto de limpieza permanezca en contacto con el acero inoxidable por periodos largos.

Limpiar la superficie de la campana

- Para un cuidado general, limpiar el exterior de acero inoxidable con agua jabonosa tibia. Limpiar y secar siempre en la dirección del grano del acero inoxidable. Evite ejercer demasiada presión; puede dañar la superficie.
- NO usar productos abrasivos tales como fibra de acero.
- NO usar esponjas de celulosa. Algunas esponjas se procesan con sal y pueden causar corrosión al dejar depósitos de sal en el metal.
- NO dejar que ningún compuesto de limpieza permanezca mucho tiempo en contacto con el acero inoxidable.
- NO USAR LIMPIADORES A BASE DE CLORO.
- Para eliminar huellas o abrillantar, usar un limpiador o acondicionador para acero inoxidable. El acondicionador para acero inoxidable THERMADOR se puede adquirir en línea (solo en EE. UU.) en: www.store.thermador.com (número de referencia para pedido 00576697).

Antes de llamar al servicio técnico

Solución de problemas

Para comunicarse con un representante de servicio, consulte la información de contacto en la parte posterior del manual. Antes de llamar, anotar el modelo completo y el número de serie impresos en la etiqueta de datos nominales del producto.

Hacer uso de las sugerencias de la siguiente tabla antes de llamar al servicio técnico para evitar cargos por servicio.

Problema	Solución Sugerida
Ruido durante el funcionamiento	<p>Algunos ruidos son normales debido a la vibración y al movimiento del aire. Un ruido excesivo puede indicar lo siguiente:</p> <ul style="list-style-type: none">a) El conducto es demasiado pequeño/tamaño insuficienteb) El conducto es demasiado grande/tamaño excesivoc) El conducto está sueltod) La transición es demasiado pequeña o está sueltae) Los tornillos de madera no están totalmente apretadosf) Tornillos sueltos en partes de molduras, etc. <p>Comprobar el manual de instalación para verificar que el conducto tiene el tamaño adecuado. Apriete los tornillos.</p>
Ruido cuando la unidad está apagada	<ul style="list-style-type: none">a) La aleta de flujo de retorno en el exterior de la tapa del conducto de pared se mueve con el viento. Es normal.
Las luces y el ventilador no funcionan	<ul style="list-style-type: none">a) El breaker del circuito de la campana puede dispararse. Restablecer el breaker del circuito.
El ventilador no funciona	<ul style="list-style-type: none">a) La alimentación eléctrica es insuficiente.b) El cableado eléctrico no está correctamente conectado. <p>Para obtener más información, consultar el manual de instalación.</p>
La campana dispara el breaker del circuito	<ul style="list-style-type: none">a) El cableado eléctrico no está correctamente conectado.b) El breaker del circuito es insuficiente. <p>Para obtener más información, consultar el manual de instalación.</p>
La campana no ventila correctamente.	<ul style="list-style-type: none">a) Es posible que la campana esté situada demasiado alta con respecto a la placa de cocción.b) Es posible que la campana no esté centrada sobre la placa de cocción.c) Aire de recambio insuficiente.d) El viento que entra por ventanas y puertas abiertas en el área circundante afecta a la ventilación de la campana. Cerrar todas las puertas y ventanas para eliminar el flujo de aire del exterior.e) Bloqueo en la abertura del conducto o sistema de conductos. Eliminar cualquier bloqueo que haya en la abertura del conducto o sistema de conductos.f) Una longitud demasiado larga del conducto, demasiados codos, el uso de dos tubos en forma de S o una tapa de techo o pared demasiado pequeña causarán problemas con la extracción del aire. <p>Para obtener más información, consultar el manual de instalación.</p>

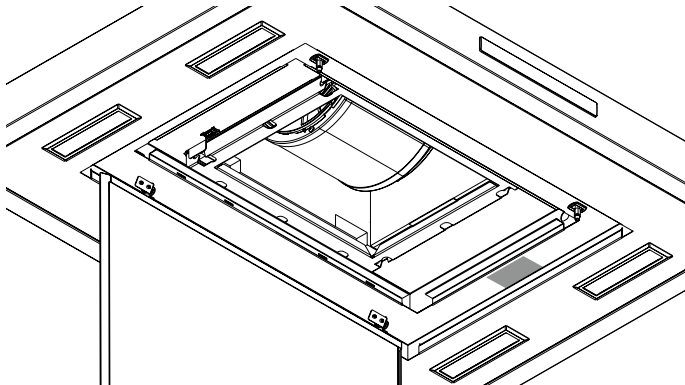
Cómo obtener servicio técnico o refacciones

Queremos que siga siendo un cliente satisfecho. Si le surge algún problema que no puede resolverse a su entera satisfacción, le rogamos nos lo comunique.

Para comunicarse con un representante de servicio, consulte la información de contacto en la página posterior del manual. Independiente de si nos escribe o nos llama, indiquenos el número de modelo, el número de serie y la fecha de compra original o de instalación

Etiqueta de datos nominales del producto

En la etiqueta de datos nominales se muestran el modelo y el número de serie. Consultar la etiqueta de datos nominales del electrodoméstico al solicitar servicio técnico. La etiqueta de datos nominales se encuentra en el marco situado detrás del filtro. Retirar el filtro para verla (consultar la gráfica siguiente a modo de ejemplo).



Información del servicio técnico

Para tener la referencia a mano, completar la información que se indica abajo con los datos de la etiqueta situada en el marco del filtro. Conservar la factura para validar la garantía.

Número de modelo _____

Número de serie _____

Fecha de compra _____

Escribir también esta información en el formulario de registro de producto que se suministra con este producto.

Registre su producto de BSH para garantizar un servicio técnico oportuno y acceso a la información relacionada con su producto. Puede registrar su producto a través de una de las siguientes maneras:

1. Envíe por correo la tarjeta de registro del producto THERMADOR completada.
2. Registre el producto en línea en www.thermador.com.
3. Llámenos al Servicio de Atención al Cliente de THERMADOR al 1-800-735-4328.

Declaración de Garantía Limitada del

Producto

Qué cubre esta garantía y a quiénes se aplica

La garantía limitada otorgada por BSH Home Appliances Corporation (BSH) en esta Declaración de garantía limitada del producto se aplica únicamente al aparato THERMADOR® vendido a usted, el primer comprador usuario, condicionada estrictamente a que el Producto haya sido comprado:

- Para uso doméstico (no comercial) normal y haya sido utilizado en todo momento únicamente para fines domésticos normales.
- Nuevo en una tienda minorista (que no sea un producto de exhibición, ni un producto vendido "en las condiciones en que se encuentra" ni un modelo devuelto anteriormente) y no esté destinado para reventa ni uso comercial.
- Dentro de los Estados Unidos o Canadá, y que haya permanecido en todo momento dentro del país de compra original.

La garantía descrita aquí es válida para el comprador original del producto cubierto por esta garantía y para todo usuario posterior del producto, adquirido para un uso doméstico, durante el término de la garantía.

Asegúrese de devolver la tarjeta de registro; si bien no es necesario para hacer efectiva la cobertura de la garantía, es la mejor manera de que BSH pueda hacer notificaciones en el caso poco probable de que se emita un aviso de seguridad o se retire del mercado un producto.

Plazo de vigencia de la garantía

Producto fabricado antes del 1 de enero de 2012 con un número de FD911299999 o menor: BSH garantiza que el Producto no tendrá defectos en los materiales ni en la mano de obra durante un período de trescientos sesenta y cinco (365) días a partir de la fecha de compra. Dicho período comienza a contar a partir de la fecha de compra y no se interrumpirá, dejará sin efecto, extenderá ni suspenderá por ningún motivo.

Producto fabricado después del 1 de enero de 2012 con un número de FD920100000 o mayor: BSH garantiza que el Producto no tendrá defectos en los materiales ni en la mano de obra durante un período de setecientos treinta (730) días a partir de la fecha de compra. Dicho período comienza a contar a partir de la fecha de compra y no se interrumpirá, dejará sin efecto, extenderá ni suspenderá por ningún motivo.

El Producto también está cubierto en caso de defectos

estéticos de material o mano de obra (como rayones en el acero inoxidable, imperfecciones de pintura/porcelana, desportilladuras, muescas o cualquier otro defecto de acabado del Producto) durante un período de sesenta (60) días a partir de la fecha de compra o de la fecha de cierre para nueva fabricación. Esta garantía estética excluye leves variaciones de color a causa de diferencias inherentes en refacciones pintadas y de porcelana, así como por diferencias causadas por la iluminación de la cocina, la ubicación del producto u otros factores similares. Esta garantía estética excluye de manera específica cualquier producto de exhibición, de exposición en tienda, un producto vendido «en las condiciones en que se encuentre» o aparatos del stock «B».

Reparación/reemplazo como único recurso

Durante este período de garantía, BSH o uno de sus proveedores de servicio autorizados repararán su Producto sin cargo (sujeto a ciertas limitaciones establecidas en este documento) si su Producto demuestra haber sido fabricado con un defecto en materiales o mano de obra. Si se han realizado intentos razonables para reparar el Producto sin éxito, entonces BSH reemplazará su Producto (los modelos actualizados pueden estar disponibles para usted, a exclusivo criterio de BSH, por un cargo adicional). Todas las refacciones y componentes extraídos serán propiedad de BSH, a su entera discreción. Todas las partes reemplazadas y/o reparadas se considerarán como la parte original a los fines de esta garantía, y esta garantía no se extenderá con respecto a dichas partes. En virtud del presente documento, la única responsabilidad y obligación de BSH consiste en reparar el Producto defectuoso de fábrica, a través de un proveedor de servicio técnico autorizado por BSH durante el horario normal de oficina. Por cuestiones de seguridad y daños materiales, BSH recomienda categóricamente no intentar reparar el Producto usted mismo ni usar un centro de servicio técnico no autorizado; BSH no tendrá ninguna responsabilidad ni obligación por reparaciones o trabajos realizados por un proveedor de servicio técnico no autorizado. Si usted prefiere que una persona que no sea un proveedor de servicio técnico autorizado repare su Producto, **ESTA GARANTÍA SE ANULARÁ AUTOMÁTICAMENTE**. Los proveedores de servicio técnico autorizados son aquellas personas o compañías que han sido especialmente entrenadas para manejar los productos de BSH y que tienen, según el criterio de BSH, una reputación superior de servicio de atención al cliente y de capacidad técnica (tenga en cuenta que son entidades independientes y no son agentes, socios, afiliados ni representantes de BSH). Independientemente de lo antedicho, BSH no tendrá responsabilidad ni obligación alguna sobre el Producto si este se encuentra en un área remota (a más de 100 millas de un proveedor de servicio técnico autorizado) o en un lugar, área circundante o entorno que no sea accesible por medios razonables o que sea peligroso, hostil o arriesgado; en cualquier caso, si se solicita, BSH de todas maneras pagará por la mano de obra y las refacciones y enviará las refacciones al proveedor

de servicio técnico autorizado más cercano, pero el cliente seguirá siendo totalmente responsable por el tiempo de viaje y demás cargos especiales de la compañía de servicio técnico, siempre que esta acepte realizar la visita de servicio técnico.

Producto fuera de la garantía

BSH no tiene obligación alguna, en virtud de la ley o por otro motivo, de otorgarle ninguna concesión, incluidos reparaciones, prorrates o reemplazo del Producto, con posterioridad al vencimiento de la garantía.

Exclusiones de la garantía

La cobertura de garantía descrita en el presente documento excluye todos los defectos o daños que no fueron provocados directamente por BSH, incluidos, entre otros, alguno de los siguientes:

- Uso del Producto de maneras distintas del uso normal, habitual y previsto (incluidos, entre otros, cualquier forma de uso comercial, uso o almacenamiento en exteriores de un producto diseñado para interiores, uso del Producto en aeronaves o embarcaciones).
- Conducta indebida, negligencia, uso indebido, abuso, accidentes, descuido, operación inadecuada, omisión de mantener, instalación inadecuada o negligente, adulteración, omisión de seguir las instrucciones de operación, manipulación inadecuada, servicio técnico no autorizado (incluidos «arreglos» o exploración de los mecanismos internos del aparato realizados por uno mismo) por parte de cualquier persona.
- Ajuste, alteración o modificación de cualquier tipo.
- Incumplimiento de los códigos, reglamentaciones o leyes de electricidad, plomería y/o construcción estatales, locales, municipales o de condado, incluida la omisión de instalar el producto cumpliendo estrictamente con los códigos y reglamentaciones locales de construcción y protección contra incendios.
- Desgaste habitual, derrames de alimentos, líquidos, acumulaciones de grasa u otras sustancias que se acumulen sobre el Producto, dentro o alrededor de este.
- Cualquier fuerza y factor externo, elemental y/o ambiental, incluidos, entre otros, lluvia, viento, arena, inundaciones, incendios, aludes de lodo, temperaturas bajas extremas, humedad excesiva o exposición prolongada a la humedad, rayos, sobrecargas eléctricas, fallos estructurales alrededor del aparato y catástrofes naturales.
- En ningún caso BSH tendrá responsabilidad ni obligación alguna por los daños ocasionados a los bienes circundantes, incluidos los armarios, pisos,

techos y demás estructuras u objetos que se encuentren alrededor del Producto. También se excluyen de esta garantía los Productos en los cuales los números de serie hayan sido alterados, modificados o eliminados; las visitas del servicio técnico para enseñarle a usar el Producto o las visitas en las que se determine que no hay ningún problema con el Producto; la corrección de los problemas de instalación (usted es el único responsable de cualquier estructura y soporte del Producto, incluidas todas las instalaciones de electricidad y plomería o demás instalaciones de conexión, de la correcta instalación en bases/pisos, y de cualquier alteración, incluidos, a modo de ejemplo, gabinetes, paredes, pisos, repisas, etc.); y el restablecimiento de breakers o fusibles.

EN LA MEDIDA PERMITIDA POR LA LEY, ESTA GARANTÍA ESTABLECE SUS RECURSOS EXCLUSIVOS CON RESPECTO AL PRODUCTO, INDEPENDIEMENTE DE QUE LA RECLAMACIÓN SEA CONTRACTUAL O EXTRA CONTRACTUAL (INCLUIDA LA RESPONSABILIDAD OBJETIVA O LA NEGLIGENCIA) O DE CUALQUIER OTRO TIPO. ESTA GARANTÍA REEMPLAZA TODAS LAS DEMÁS GARANTÍAS EXPRESAS O IMPLÍCITAS. LAS GARANTÍAS IMPLÍCITAS POR LEY, YA SEA DE COMERCIALIZACIÓN O DE APTITUD PARA UN FIN ESPECÍFICO O DE CUALQUIER OTRO TIPO, TENDRÁN VIGENCIA ÚNICAMENTE POR EL PERÍODO DE VIGENCIA DE LA PRESENTE GARANTÍA LIMITADA EXPRESA. EN NINGÚN CASO EL FABRICANTE SERÁ RESPONSABLE POR DAÑOS CONSECUENTES, ESPECIALES, INCIDENTALES, INDIRECTOS, PÉRDIDAS DE NEGOCIO, Y/O DAÑOS PUNITIVOS, PÉRDIDAS O GASTOS, INCLUIDOS, ENTRE OTROS, EL TIEMPO NO TRABAJADO, HOTELES Y/

O COMIDAS DE RESTAURANTE, GASTOS DE REMODELACIÓN QUE EXCEDAN LOS DAÑOS DIRECTOS QUE ESTÉN DEFINITIVAMENTE CAUSADOS EXCLUSIVAMENTE POR BSH O CUALQUIER OTRO. ALGUNOS ESTADOS NO PERMITEN LA EXCLUSIÓN O LIMITACIÓN DE DAÑOS INCIDENTALES O CONSECUENTES, Y ALGUNOS ESTADOS NO PERMITEN LIMITACIONES CON RESPECTO AL PLAZO DE VIGENCIA DE UNA GARANTÍA IMPLÍCITA; POR LO TANTO, ES POSIBLE QUE LAS LIMITACIONES PRECEDENTES NO SE APLIQUEN. ESTA GARANTÍA OTORGA DERECHOS LEGALES ESPECÍFICOS, Y TAMBIÉN PUEDEN CORRESPONDERLE OTROS DERECHOS QUE PUEDEN VARIAR SEGÚN EL ESTADO.

Ningún intento de alterar, modificar o enmendar la presente garantía será válido, a menos que fuera autorizado por escrito por un ejecutivo de BSH.

Support

Thank you for being a Thermador customer!

Thermador is dedicated to supporting you and your appliance so you have many years of creative cooking. Please don't hesitate to contact us if you have any questions. We're happy to help you with cleaning and care instructions, cooking tips, accessories, troubleshooting, and more.

USA:

1-800-735-4328

www.thermador.com/customer-care

Canada:

1-800-735-4328

www.thermador.ca/support

Accessories & Parts

Filters, Thermador cleaners, teppanyaki pans, griddles, replacement parts, and more can be purchased in our online accessories store.

USA:

www.store.thermador.com/us

Canada:

For Atlantic, Ontario or Québec provinces, contact:

Marcone: 1-800-287-1627

For Manitoba, Saskatchewan, Alberta, British Columbia or any of the Territories, contact:

Reliable Parts: 1-800-663-6060

Assistance

Merci d'être un client Thermador!

Thermador s'engage à offrir tout l'assistance dont vous et votre appareil avez besoin afin que vous puissiez en profiter pleinement. N'hésitez pas à communiquer avec nous pour toute question. Nous serons heureux de vous aider avec des directives concernant le nettoyage et les soins, des conseils de cuisson, des accessoires, le dépannage et plus encore.

États-Unis:

1-800-735-4328

www.thermador.com/customer-care

Canada:

1-800-735-4328

www.thermador.ca/support

Pièces et Accessoires

Vous trouverez dans notre magasin d'accessoires en ligne des filtres, des produits nettoyants Thermador, des poêles teppanyaki, des plaques à frire, des pièces de rechange et plus encore.

États-Unis:

www.store.thermador.com/us

Canada:

Pour la région de l'Atlantique, ou les provinces de l'Ontario ou du Québec, communiquez avec :

Marcone : 1-800-287-1627

Pour les provinces du Manitoba, de la Saskatchewan, de l'Alberta ou de la Colombie-Britannique ou n'importe quel territoire, communiquez avec :

Reliable Parts : 1-800-663-6060

Asistencia

¡Gracias por ser un cliente Thermador!

Thermador se dedica a apoyarlo a usted y a su aparato para que tenga muchos años para cocinar creativamente. No dude en contactarnos si tuviera preguntas. Nos encantará ayudarlo con las instrucciones de limpieza y cuidado, consejos para cocinar, accesorios, solución de problemas y más.

Estados Unidos:

1-800-735-4328

www.thermador.com/customer-care

Canadá:

1-800-735-4328

www.thermador.ca/support

Refacciones y Accesorios

Los filtros, limpiadores Thermador, sartenes de teppanyaki, planchas, partes de refacción y más se pueden comprar en nuestra tienda de accesorios en línea.

Estados Unidos:

www.store.thermador.com/us

Canadá:

Para las provincias del Atlántico, Ontario o Québec, contacte a:

Marcone: 1-800-287-1627

Para las provincias de Manitoba, Saskatchewan, Alberta, British Columbia o cualquiera de los territorios, contacte a:

Reliable Parts: 1-800-663-6060



1901 MAIN STREET, SUITE 600, IRVINE, CA 92614 // 800-735-4328 // WWW.THERMADOR.COM

© 2018 BSH Home Appliances Corporation
LIB0143870/9001396689