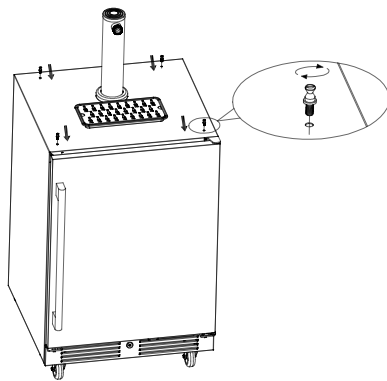
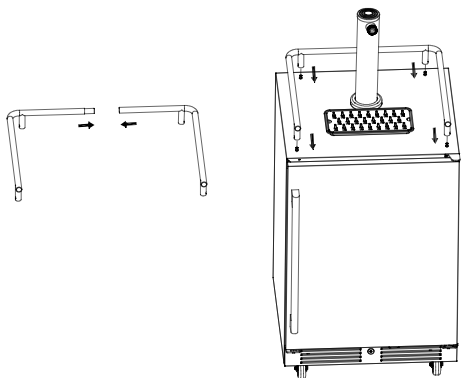


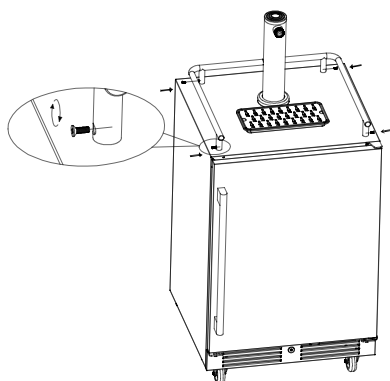
Using the 3mm Allen wrench included with the kegerator, remove (4) M5*10 screws from the top of the kegerator.



Install (4) threaded posts from the Drink Guardrail hardware package into the screw holes on top of the kegerator.



Assemble the two Drink Guardrail sections together and place over the (4) threaded posts.



Secure the Drink Guardrail in place with (4) $\phi 9 \times 22$ -M5 screws included in the hardware package and tighten them using the Philip Screwdriver.