



30" Front Control Electric Range

Electric Range

Available Products: FFEH3051VS

Available Colors: Stainless Steel

Version: 08/22

Product Specifications

Cooktop

Cooking Surface Type	Smooth
Element On Indicator Light	Yes
Hot-Surface Indicator Light	Yes

Cooking Controls

Bake	Yes
Broil	Yes
Cancel	Yes
Delay Clean	No
Kitchen Timer	Yes
Lockout	Yes
Off	No
Oven Light	Yes
Preheat	Yes
Probe	No
Steam Clean	Yes
Temperature Display	Yes
Timed Bake	Yes

Drawer

Drawer Handle Style	Integrated
Drawer Type	Storage

Display

Display Type	Membrane
Control Location	Front

Electrical Specifications

Minimum Circuit Required	40 Amps
Voltage Rating	240 V

General Specifications

Prop 65 Label	No
Warranty - Labor	1 Year
Warranty - Parts	1 Year
Frigidaire Fit Promise	Yes

Safety Certifications and Approvals

UL Listed	Yes
ETL Listed	No

Cooktop Performance

Right Rear Element Burner Size	6"
Left Front Element Burner Size	9"
Left Rear Element Burner Size	6"
Right Rear Element Burner	1,200 Watts
Left Front Element Burner	3,000 Watts
Left Rear Element Burner	1,200 Watts
Right Front Element Burner (Large)	3,000 Watts
Right Front Element Burner (Small)	1,400 Watts
Right Front Element Burner Size (Small)	6"
Right Front Element Burner Size (Large)	9"

Oven

Bake System	Yes
Bake Element	3,500 Watts
Broil System	Yes
Broil Element	3,900 Watts

Controls

Control Lock	No
Sabbath Mode	No

Dimensions and Volume

Height	36 5/8"
Width	29 7/8"
Depth	26 5/8"
Depth With Door 90° Open	47"
Depth With Handle	29"
Oven Interior Height	18 5/8"
Oven Interior Width	24 3/8"
Oven Interior Depth	19 1/8"
Oven Capacity	5 Cu. Ft.

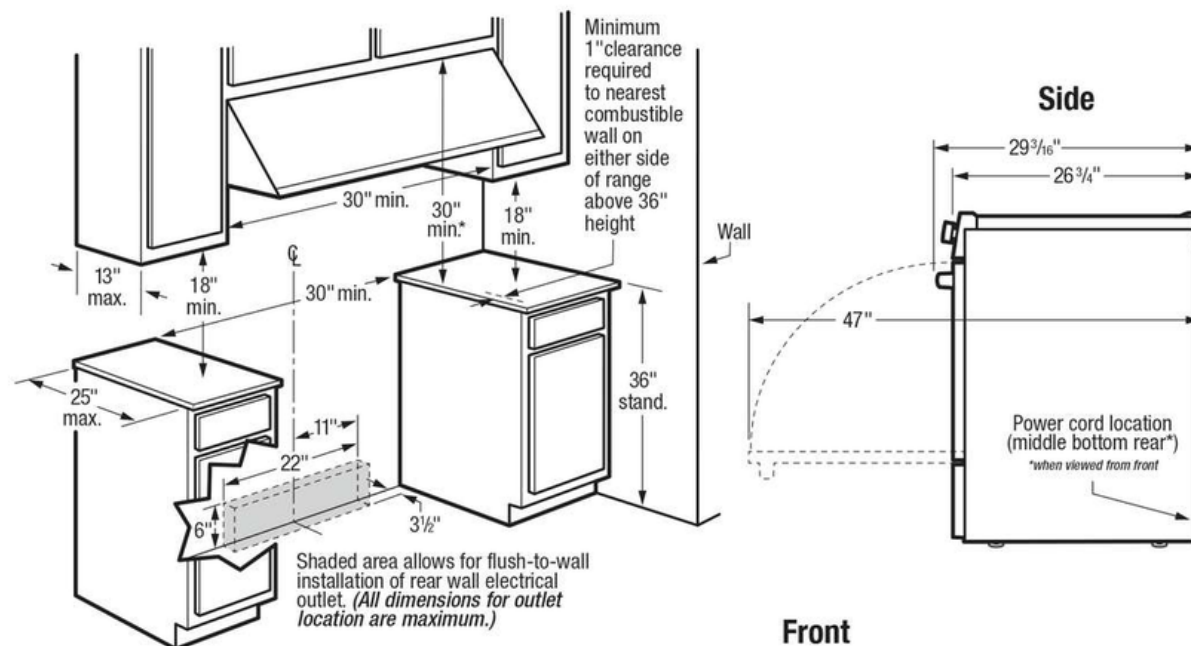
Installation

Adjustable Leveling Legs	Yes
Power Supply Connection Location	Bottom Center

Certifications and Approvals

ADA Compliant	Yes
---------------	-----

Installation Diagram



Note: 30" minimum clearance between top of cooking surface and bottom of unprotected wood or metal overhead cabinet; or 24" minimum clearance when bottom of wood or metal overhead cabinet is protected by not less than 1/4" flame-retardant millboard covered with not less than No. 28 MSG sheet steel, 0.015" stainless steel, 0.024" aluminum or 0.020" copper. 0" clearance is minimum for rear of range. Follow all dimension requirements provided above to prevent property damage, potential fire hazard, and incorrect countertop and cabinet cuts.