

FLEXSTEEL®

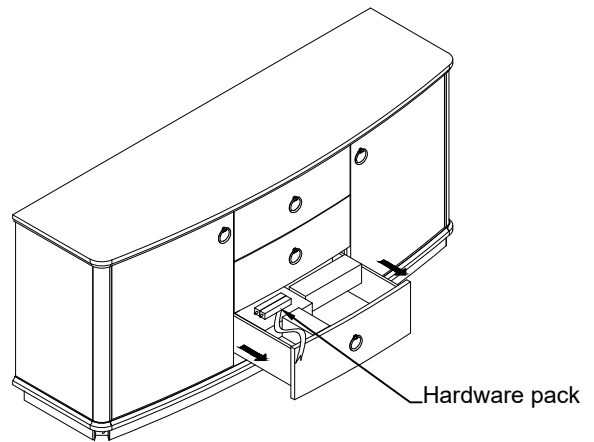
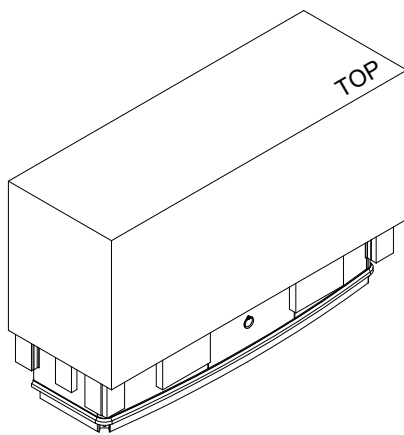
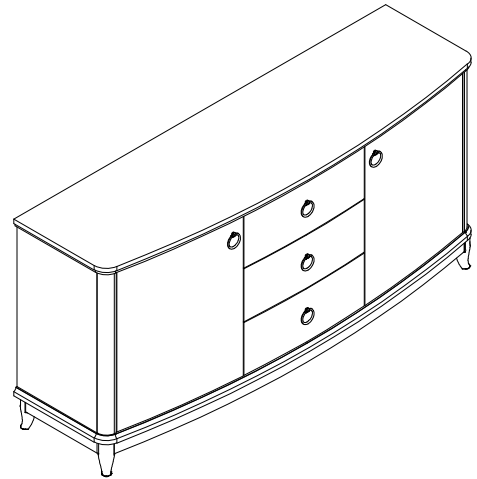
W1042-06

CONSOLE

IMPORTANT

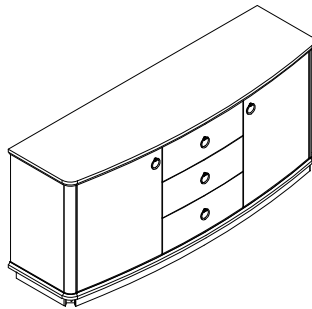
Carefully remove all parts from the carton, and put them individually on a soft cloth to prevent damage to the parts.

We have taken great care in the design of this product and request that you carefully and accurately follow our assembly instructions to ensure proper set-up.



Part List

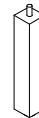
Assembly Instructions 1/3



A. Console Base
1 piece

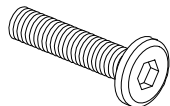


B. Leg
4 pieces



C. Support Leg
2 pieces

Hardware List



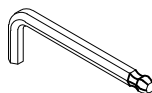
Bolt
Ø5/16"-18 UNC x 1-3/4"
8 pieces



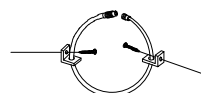
Spring Washer
Ø5/16" x 1.5mm
8 pieces



Flat Washer
Ø5/16" x Ø19mm x 1.5mm
8 pieces



Hex Key
5/32"
1 piece



Anti-Tip Kit
1 set

FLEXSTEEL®

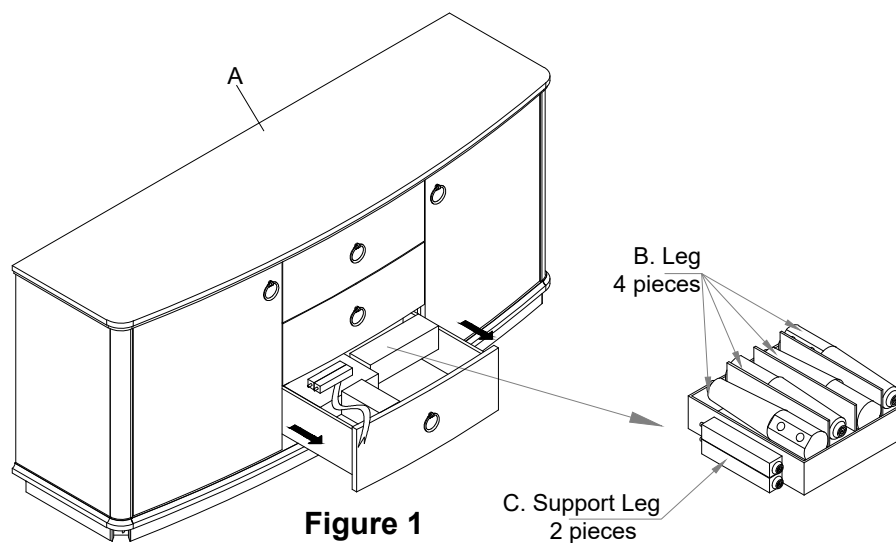
Assembly Instructions 2/3

IMPORTANT NOTES

- Do not tighten up all the bolts until each part is properly assembled.
- Keep the Hex Key in a safe place as you may need to tighten up the bolts in the future.
- Use a soft cloth between these parts and the floor.
- We recommend this product be assembled by at least two adults.

STEP 1

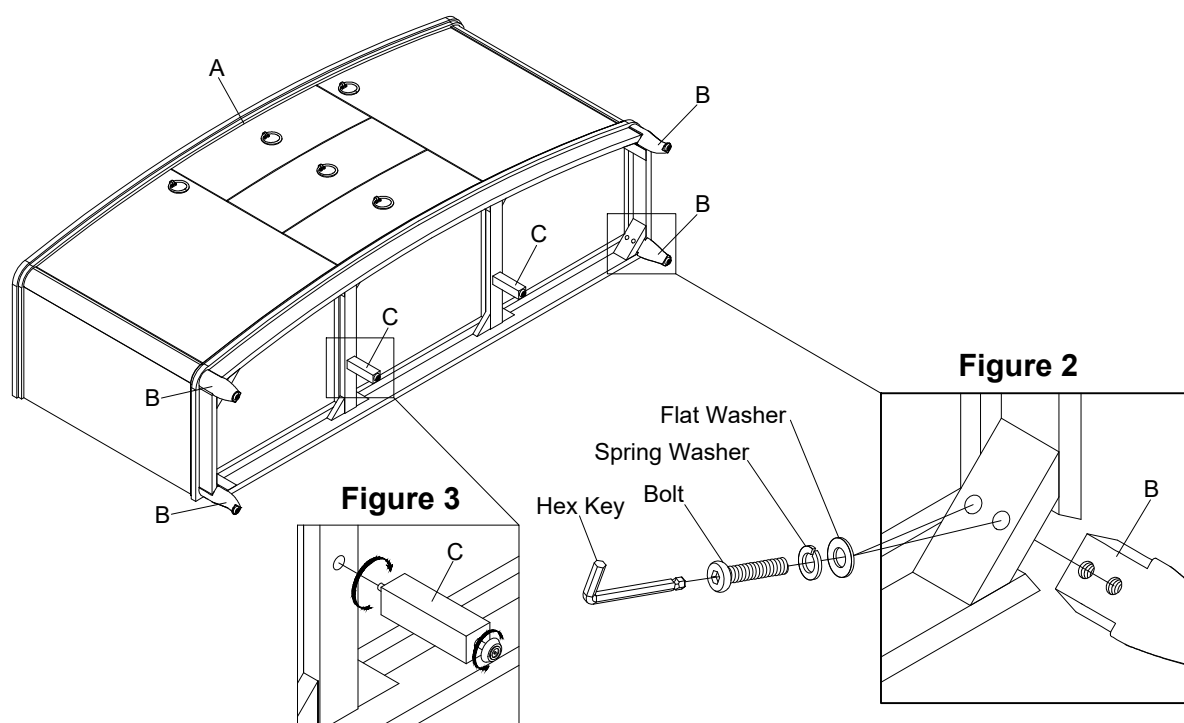
Open the bottom drawer of the Console Base (A) and remove the legs (B) and support legs (C). (See Figure 1)



STEP 2

Lay the Console Base (A) on its back on a soft surface. Attach Legs (B) to the Console Base (A) using bolts, spring washers, and flat washers. Fully tighten the bolts with the Hex Key. (See Figure 2)

Connect the Support Leg (C) to the Console Base (A) by turning by hand until tight. (See Figure 3)



FLEXSTEEL®

Assembly Instructions 3/3

IMPORTANT NOTES

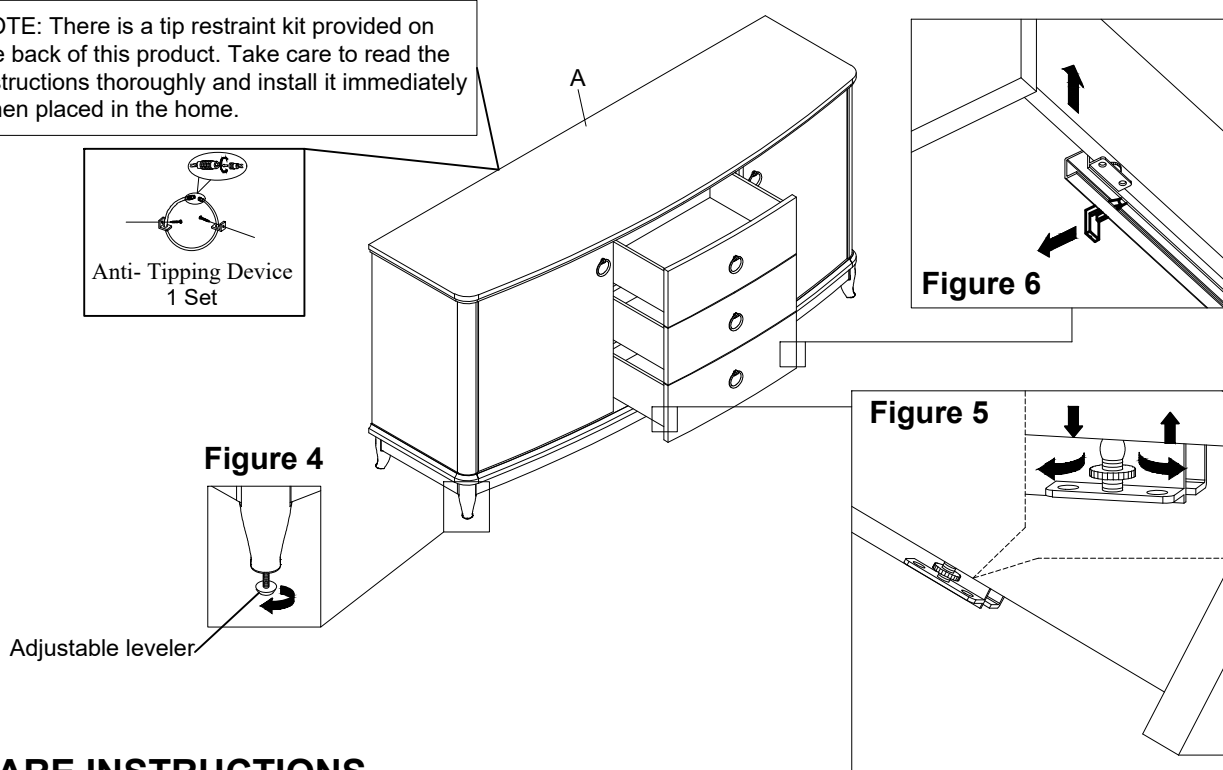
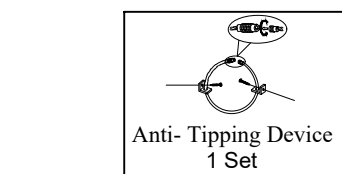
- Do not tighten up all the bolts until each part is properly assembled.
- Keep the Hex Key in a safe place as you may need to tighten up the bolts in the future.
- Use a soft cloth between these parts and the floor.
- We recommend this product be assembled by at least two adults.

STEP 3

Flip the Console upright, and adjust the levelers on the legs until the furniture is leveled. (See Figure 4)
The drawers can be adjusted up or down as necessary using the adjustment knob under the drawers on the drawer glides. (See Figure 5)

Pull out the slide latch at the bottom of the drawer and lift the drawer up to remove it. (See Figure 6)

NOTE: There is a tip restraint kit provided on the back of this product. Take care to read the instructions thoroughly and install it immediately when placed in the home.



CARE INSTRUCTIONS

- To avoid scratches, do not place sharp or jagged objects directly on the cabinet.
- Do not place hot items directly on the cabinet.
- Use placemats or trivets under hot items and coasters under beverages to prevent marks and stains.
- Avoid the use of harsh chemicals or abrasive cleaning materials.
- Wipe the cabinet clean with a soft, dry cloth after each use.
- Wipe up spills quickly with a soft, dry cloth.

Flexsteel Industries, Inc.

For Parts or Customer Service call

toll-free:

1-888-415-3979

Monday-Friday

8:00 a.m. -5:00 p.m.

(Central Time)

Email:

customersolutions@flexsteel.com

www.flexsteel.com