



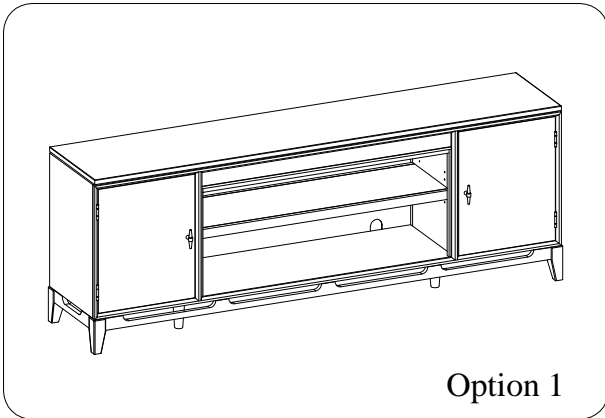
ITEM NO: I3048-280 80" Console w/ 2 Doors

Thank you for purchasing this quality product. Be sure to check all packing material carefully for small parts that may come loose inside the carton during shipment.

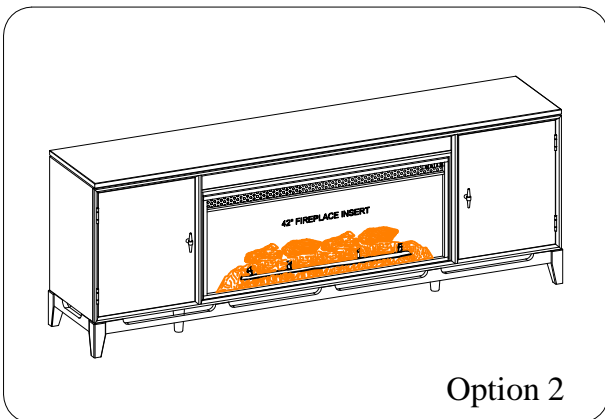
WARNING! Before using this product, please read, understand, and follow these instructions. Failure to follow each of these assembly instructions precisely may result in damage to the product and / or injury to the consumer.



UNIT SHOULD BE INSTALLED BY 2 OR MORE PERSONS.



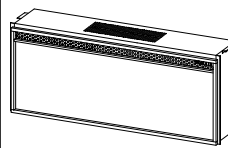
Option 1



Option 2

TOOLS REQUIRED (NOT PROVIDED)

PHILLIPS SCREWDRIVER 








Fireplace




User manual for the 42" fireplace is in the fireplace package. Follow the below instructions when attaching the fireplace to this TV stand.

Note: The fireplace isn't provided

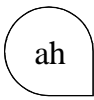
HARDWARE LIST:

No.	Description	Sketch	Quantity
A	Hex Nut Ø5/16"		8 PCS
B	Lock Washer Ø5/16"		8 PCS
C	Flat Washer Ø5/16" x 3/4"		8 PCS
D	Hex Wrench 12mm		1 PC
E	Allen Wrench 4mm		1 PC

COMPONENTS LIST:

No.	Description	Sketch	Quantity
1	Case		1 PC
2	Leg		4 PCS
3	Support Leg		2 PCS

FOR INDOOR USE ONLY



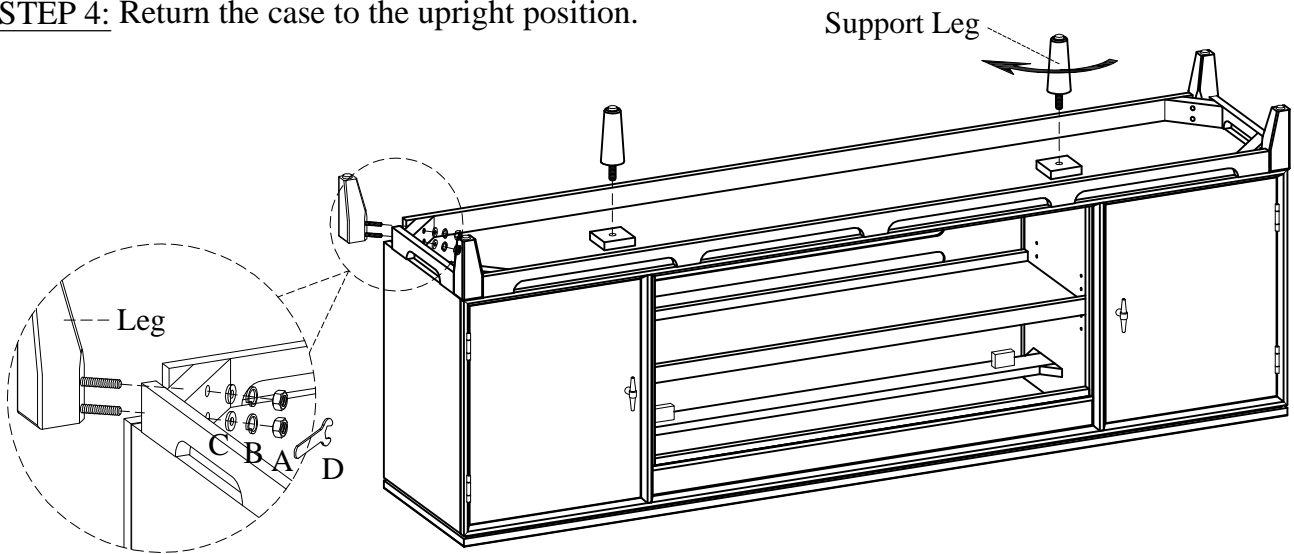
ITEM NO: I3048-280 80" Console w/ 2 Doors

STEP 1: Put the case face down on a soft surface.

STEP 2: Attach the legs to the case by using 8 flat washers (C), lock washers (B) with hex nuts (A). Use the Hex wrench (D) provided to tighten all the bolts.

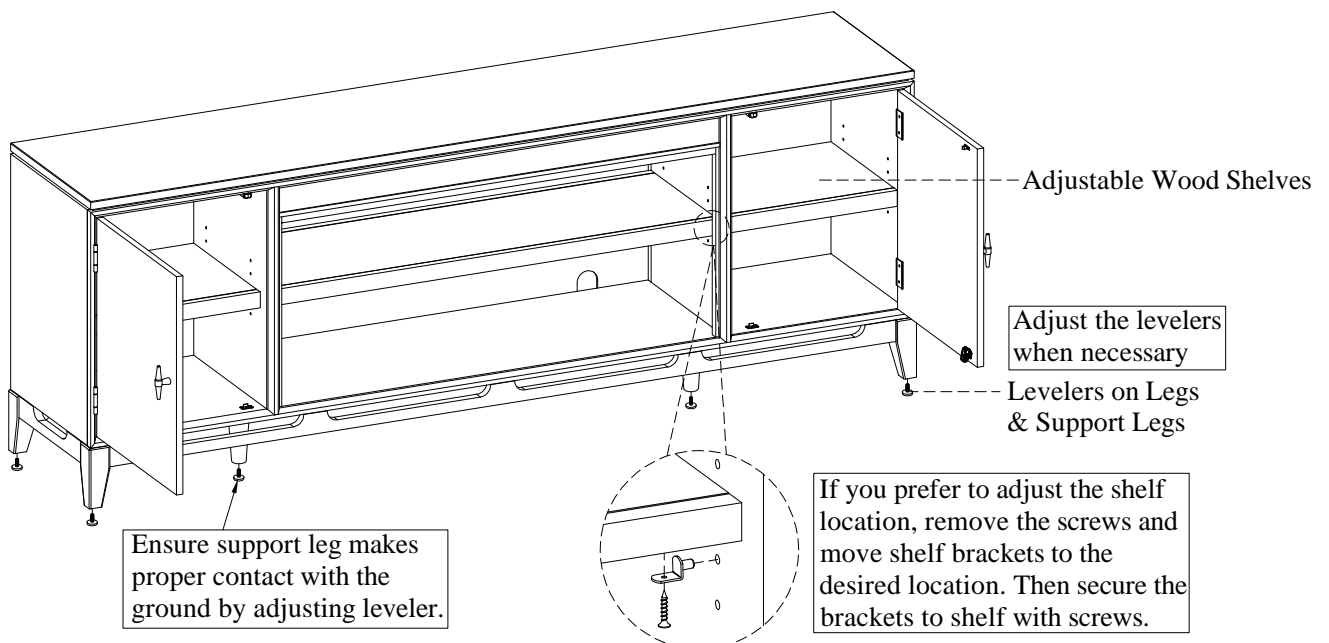
STEP 3: Attach the support legs as shown below.

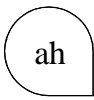
STEP 4: Return the case to the upright position.



FUNCTIONALITY INSTRUCTION

For OPTION 1:

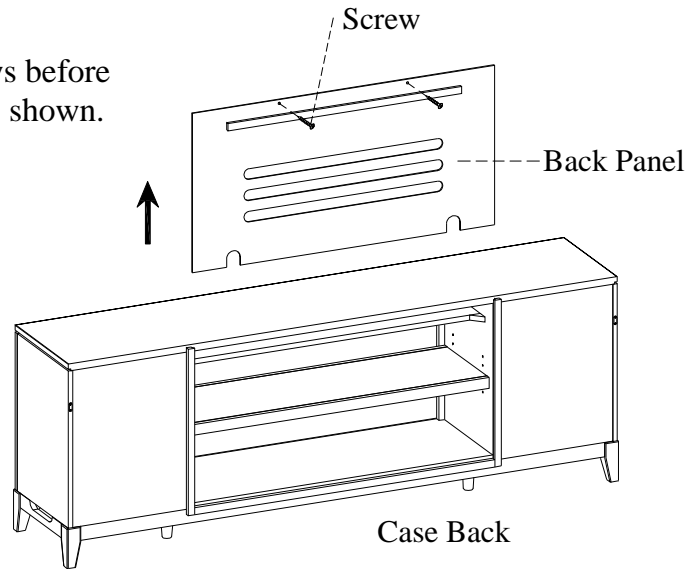




ITEM NO: I3048-280 80" Console w/ 2 Doors

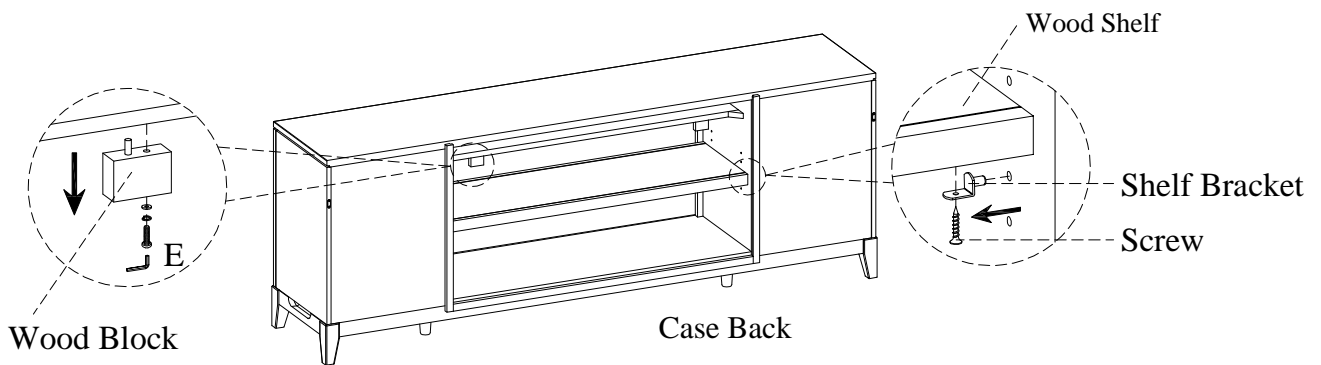
For OPTION 2:

STEP 5: Remove two screws before taking out the back panel as shown.

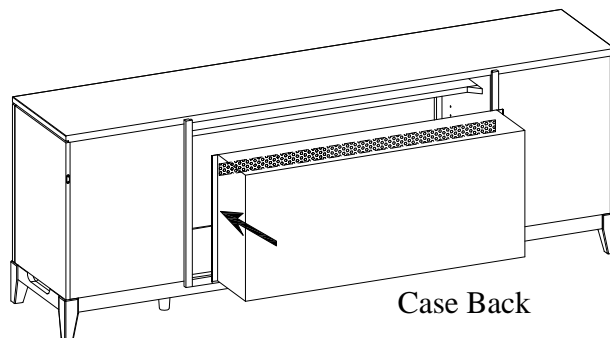


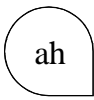
STEP 6-1: Remove the screws on shelf brackets, take out the wood shelf and the shelf brackets as shown below.

STEP 6-2: Remove the wood blocks on the stretcher as shown below. Save the hardware to re-attach the wood blocks in STEP 8.



STEP 7: Insert the 42" fireplace.

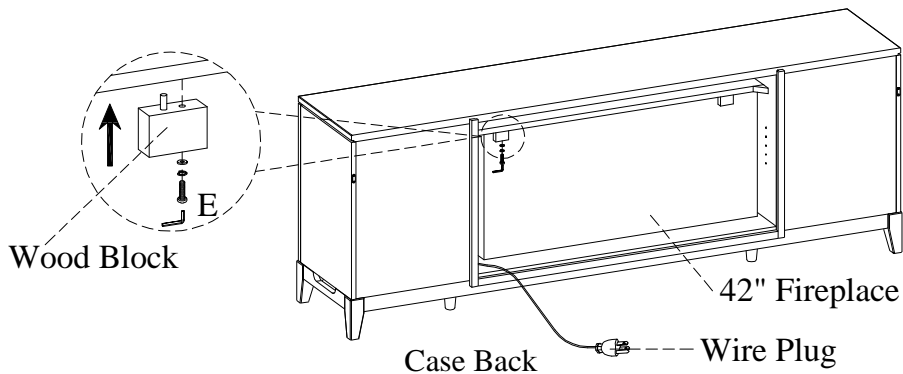




ITEM NO: I3048-280 80" Console w/ 2 Doors

STEP 8: Attach the wood blocks to the stretcher by using an allen wrench (E).

NOTE: WHEN USING OPTION 2, FIREPLACE, DO NOT RE-ATTACH THE BACK PANEL FOR VENTILATION PURPOSE.



FUNCTIONALITY INSTRUCTION

For OPTION 2:

