



# KM-2200S\_J(Z)3

## 3 PHASE STACKABLE ICE CUBER



KM-2200S\_J(Z)3  
07/10/25  
Item # 13061

**W x D x H**  
48" x 27<sup>3/8</sup>" x 36<sup>7/16</sup>"

Shipping Dimensions  
51<sup>3/4</sup>" x 33" x 42.5"

### KM|EDGE™

**KM-2200SWJ3**  
Water-Cooled 3 Phase  
Shown on optional bin: B-900

**KM-2200SRJZ3** ★  
Remote Air-Cooled 3 Phase



## Features

- ▶ Individual crescent cube
- ▶ Factory-installed ultrasonic bin control can be adjusted on site
- ▶ Simple, one-hour cleaning process



- Durable construction with fewer parts
- Self-diagnostic programming automatically adjusts to changing conditions
- Snap fit parts for easy cleaning
- Stainless steel double-sided evaporator
- Up to 2221 lbs. of ice production per 24 hrs.
- Stackable for 4442 lbs. per 24 hours ice production in the same floor space
- CycleSaver™ design
- EverCheck™ alert system
- Removable air filters (air-cooled model only)
- R-404A Refrigerant

### Available on Bins:

**B-800**    **B-1150SS**    **B-1500SS**    *Top kit may be required.*  
**B-900**    **B-1300SS**    **B-1650SS**    *See Bin Spec Sheets.*

### Warranty:

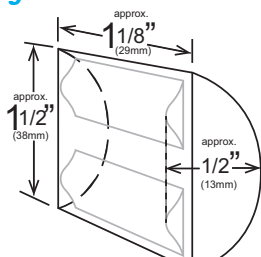
Valid in United States, Canada, Puerto Rico and U.S. Territories.  
Contact factory for warranty in other countries.



| Condenser | Model  | ICE PRODUCTION   |   | WATER USAGE                               |                                     | ELECTRICAL                  |          |         |                                  |                        | Refrigerant Charge Amount | Net / Ship Weight (lbs.) |                                  |           |
|-----------|--------|--|---|---|-------------------------------------|-----------------------------|----------|---------|----------------------------------|------------------------|---------------------------|--------------------------|----------------------------------|-----------|
|           |        | Air / Water Temp Lbs. per 24 hours<br>70° / 50°F    90° / 70°F | Potable Gal. per 100 lbs.<br>90° / 70°F | Condenser Gal. per 100 lbs.<br>90° / 70°F | kWh Used per 100 lbs.<br>90° / 70°F | Min. Circuit/Max. Fuse Size | Amperage | Voltage | Circuit Wires (including ground) | Heat Rejection BTU/hr. |                           |                          |                                  |           |
| 3 Phase   | Water  | KM-2200SWJ3  | 2221                                    | 2200                                      | 15.0                                | 95                          | 3.11     | 30A     | 12.8A                            | 208-230V/60/3          | 4                         | 27,200                   | 2 lbs. 16 oz.                    | 390 / 400 |
|           | Remote | KM-2200SRJZ3   | 2206                                    | 2075                                      | 15.0                                | N/A                         | 3.75     | 20A     | 15.9A                            | 208-230V/60/3          | 4                         | 26,700                   | 8 lbs. 6 oz.<br>16 lbs. 1.5 oz.† | 390 / 400 |

† (with condenser)

### KMEdge™ Cube Dimensions\*



\* approximate size in inches, image not to scale

### Operating Limits

- Ambient Temp Range    45 - 100°F
- Water Temp Range    45 - 90°F
- Water Pressure    10 - 113 PSIG
- Voltage Range    187 - 253V
- If GFCI is required, a GFCI breaker MUST be used in lieu of GFCI receptacle

### Service

- Panels easily removed and all components accessible for service.
- Allow 6" (15 cm) clearance at rear, sides, and top for proper air circulation and ease of maintenance/ service.

### Plumbing

- Icemaker Water Supply Line: Min. 3/8" Nominal ID Copper Water Tubing or Equivalent
- Icemaker Drain Line: Min. 3/4" Nominal ID Hard Pipe or Equivalent Water-Cooled Model (Lines Must Be Independent of Icemaker)
- Condenser Water Supply Line: Min. 3/8" Nominal ID Copper Water Tubing or Equivalent
- Condenser Drain/Return Line: Min. 3/8" Nominal ID Hard Pipe (open drain system) or Copper Water Tubing (closed loop system) or Equivalent

### Water Filter

Please refer to water filter spec sheet for recommended configurations.

*Hoshizaki reserves the right to change specifications without notice.*

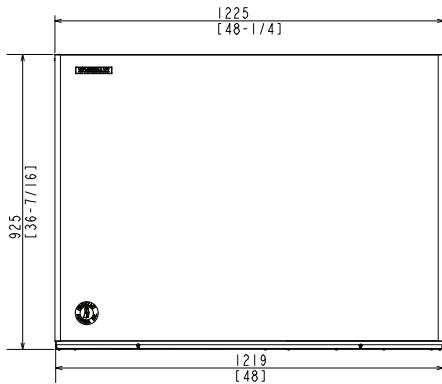


# KM-2200S\_J(Z)3

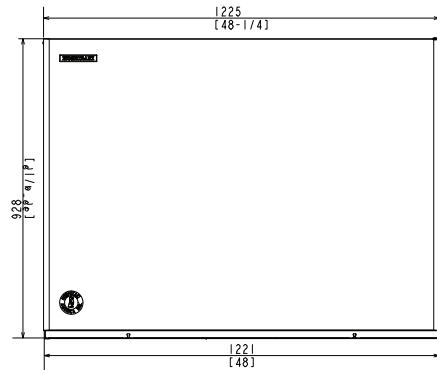
3 PHASE STACKABLE ICE CUBER

KM-2200S\_J(Z)3  
07/10/25  
Item # 13061

FRONT VIEW

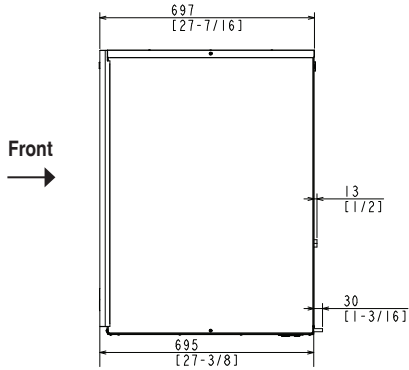


WATER-COOLED

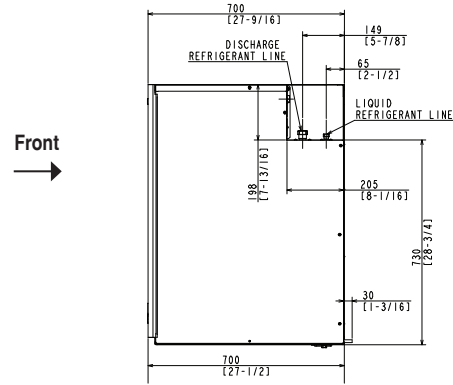


REMOTE AIR-COOLED

SIDE VIEW

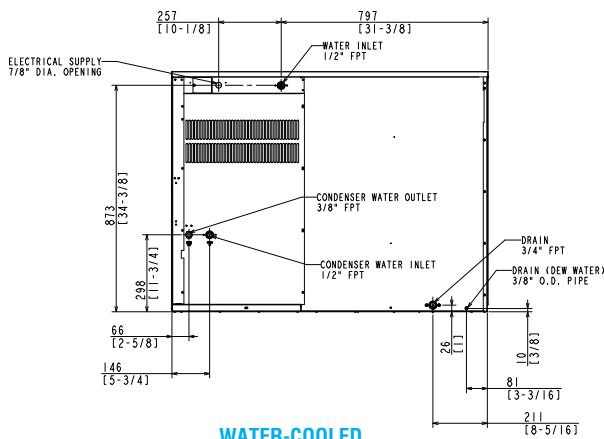


WATER-COOLED

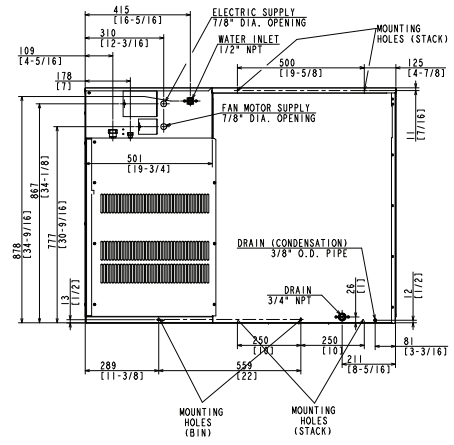


REMOTE AIR-COOLED

REAR VIEW

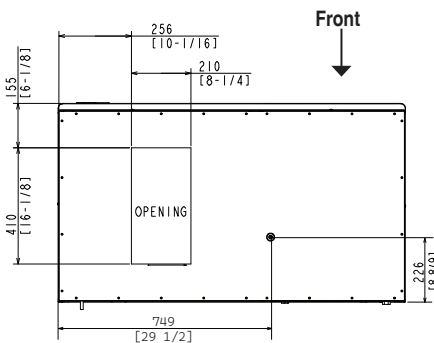


WATER-COOLED

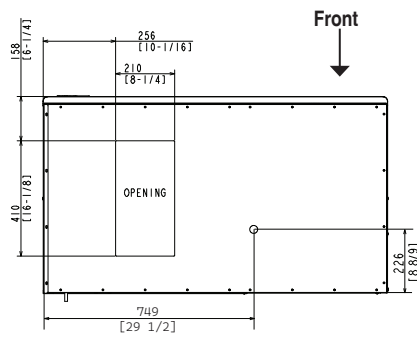


REMOTE AIR-COOLED

BOTTOM VIEW



WATER-COOLED



REMOTE AIR-COOLED

**URC-22FZ Remote Condenser (Sold Separately)**  
(W x D x H) 46 3/8 X 14 1/16 X 40 1/2  
For Use with KM-2200SRJZ3

**Brazed Line Sets (Sold Separately)**  
25' HS-5323  
35' HS-5324  
55' HS-5325



Voltage supply for the URC Remote Condenser is supplied from the Ice Maker. No additional circuit is required.

