

DGC 7880X

30" Handleless Combi-Steam Oven XXL

for steam cooking, baking, roasting with roast probe + menu cooking.



- Large touch display with proximity sensor – M Touch + MotionReact
- Perfect results – DualSteam technology
- Crispy on the outside, succulent on the inside – Combi-Steam
- Miele@home – network-enabled WiFi appliance + Miele Mix & Match
- Easy cleaning – PerfectClean stainless steel oven compartment

EAN: 4002516738497 / Material number: 12423590 /
Old Material Number: 23788083USA

General information	
Model number	DGC 7880X
Manufacturer material number	12423590
EAN number	4002516738497
Construction type and design	
Color	Obsidian Black matte
ArtLine	•
Handleless	•
Construction type and design	
Combi-steam oven	•
Convenience features	
Rapid PreHeat	•
Preheating	•
External steam generation	•
Climate sensor	•
Individual humidity settings in combination cooking	•
Menu cooking without transfer of taste	•
Miele Mix & Match	•
Roast probe	wired
Automatic programs with individual setting of the cooking result	•
Keep-warm function	•
Crisp Function	•
Operating modes	
Convection	•
Convection Roast	•
Surround	•
Steam cooking	•
Combi-Steam	•
Combi-Steam with Convection Bake	•
Combi-Steam with Surround	•
Combi-Steam with Maxi Broil	•
Sous-vide	•
Intensive	•
Convection Broil	•
Maxi Broil	•
Broil	•
Broiling operating modes	•
Browning	•
Bake	•
Humidity Plus	•
Defrost	•
Roast with moisture	•
Reheating	•
Warm-up cookware	•
Automatic programs	•
Country-specific automatic programs	•
Special Modes	•

DGC 7880X

30" Handleless Combi-Steam Oven XXL

for steam cooking, baking, roasting with roast probe + menu cooking.



EAN: 4002516738497 / Material number: 12423590 /
Old Material Number: 23788083USA

User convenience	
Networking with Miele@home	•
Display	M Touch
Clear text on control panel	•
MotionReact proximity sensor	•
SoftOpen	•
Touch2Open	•
MultiLingua	•
MyMiele	•
Show me how	•
Motorized lift-up control panel with SoftClose	•
Quantity-independent cooking	•
Steam cooking on up to 4 levels at the same time	•
Automatic menu cooking	•
Steam reduction before end of programme	•
Polyphonic acoustic signals	•
Timers	•
Time of day display	•
Date display	•
Minute minder	•
Programming start of cooking duration	•
Programming end of cooking duration	•
Programmable cooking time	•
Actual temperature display	•
Desired temperature display	•
Audible signal when desired temperature is reached	•
Default temperature	•
Favorites	•
Individual settings	•
Cleaning convenience	
Stainless steel oven compartment with linen-weave pattern and PerfectClean finish	•
Foldable broil heater element	•
External steam generator	•
Maintenance programs	•
Soak program	•
Rinse program	•
Cavity drying program	•
Quick-release side racks	•
Removable side racks	•
Descaling	•
CleanGlass door	•
Steam technology/water supply	
DualSteam	•
Fresh water container volume in l	1.4
Fresh-water container tank behind motorized lift-up control panel with SoftClose	•
Condensate container behind motorized lift-up control panel with SoftClose	•

DGC 7880X

30" Handleless Combi-Steam Oven XXL

for steam cooking, baking, roasting with roast probe + menu cooking.

EAN: 4002516738497 / Material number: 12423590 /

Old Material Number: 23788083USA

DirectWater	No
Drain filter	•
Safety	
Cooling system with cool touch front	•
Safety shut-off	•
System lock	•
Vapor cooling system	•
Sensor lock	•
Technical data	
Cavity volume in cu.ft (l)	2.4 (68.0)
No. of rack levels	4
Labeling of rack levels	•
Door hinge side	Bottom
Oven interior lighting	BrilliantLight
Oven mode temperatures in °F (°C)	85-450 °F (30-230 °C)
Niche dimensions (W x H x D) in inches (mm)	724-724 x 610-615 x 610
Niche dimensions (W x H x D) in inches (mm)	28 5/8 (724)-28 5/8 (724) x 24 1/8 (610)-24 1/4 (615) x 24 1/8 (610)
Niche width min. in inches (mm)	28 5/8 (724)
Niche width min. in inches (mm)	724
Niche width max. in inches (mm)	28 5/8 (724)
Niche width max. in inches (mm)	724
Niche height min. in inches (mm)	24 1/8 (610)
Niche height min. in inches (mm)	610
Niche height max. in inches (mm)	24 1/4 (615)
Niche height max. in inches (mm)	615
Niche depth in in. (mm)	610
Niche depth in in. (mm)	24 1/8 (610)
Appliance dimensions (W x H x D) in inches (mm)	29 7/8 (757) x 24 1/2 (620) x 22 5/8 (573)
Appliance width in in. (mm)	29 7/8 (757)
Appliance width in in. (mm)	757
Appliance width in in. (mm)	29 7/8 (757)
Appliance height in in. (mm)	24 1/2 (620)
Appliance height in in. (mm)	619.5
Appliance height in in. (mm)	24 1/2 (620)
Appliance depth in in. (mm)	22 5/8 (573)
Appliance depth in in. (mm)	573
Appliance depth in in. (mm)	22 5/8 (573)
Weight in lbs. (kg)	110 (49.7)
Weight in lbs. (kg)	109.57 (49.7)
Weight in lbs. (kg)	110 (49.7)
Total connected load in kW	2.80-3.70
Usable voltage range in V	240/208
Frequency in Hz	60
Fuse rating in A	20
Number of phases	2
Neutral conductor	No

DGC 7880X

30" Handleless Combi-Steam Oven XXL

for steam cooking, baking, roasting with roast probe + menu cooking.



EAN: 4002516738497 / Material number: 12423590 /

Old Material Number: 23788083USA

Connection wire with plug	•
Length of power cord in in. (m)	2
Replacing bulbs	Customer Service
Standard accessories	
Universal tray with PerfectClean HUBB 71	1
Wire rack with PerfectClean HBBR 71	1
PerfectClean FlexiClip telescopic runners HFC 71 (pair)	1
Wired food probe	1
Removable side racks with PerfectClean (pair)	1
Perforated stainless-steel cooking containers	2
Solid stainless steel cooking containers	1
Descaling tablets	2

Available display languages

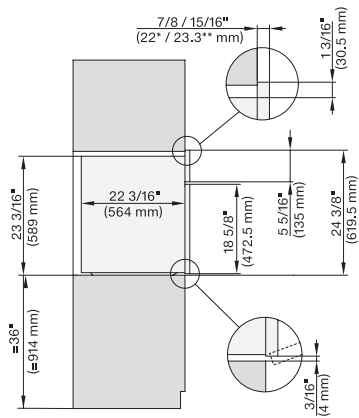
Available display languages via MultiLingua

? ? ? ? ? ? ? ? , ? ? , ?
 ? ? ? , deutsch, dansk,
 english, suomi, français,
 ελληνικά, italiano, ? ? ? ,
 ? ? ? , hrvatski, bahasa
 malaysia, nederlands, norsk,
 polski, portuguais, română,
 русский, svenska, srpski,
 slovenčina, slovenščina,
 español, čeština, türkçe,
 українська, magyar

DGC 7880X

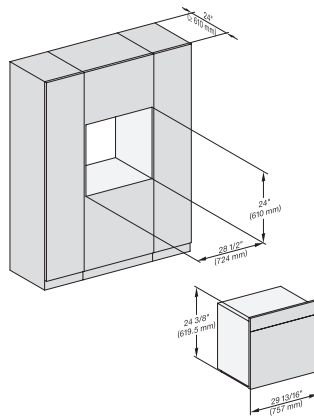
30" Handleless Combi-Steam Oven XXL

for steam cooking, baking, roasting with roast probe + menu cooking.

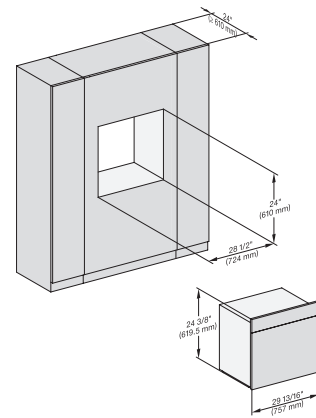


side view 30 inch Proud DGC30 XXL, installation drawing, NA

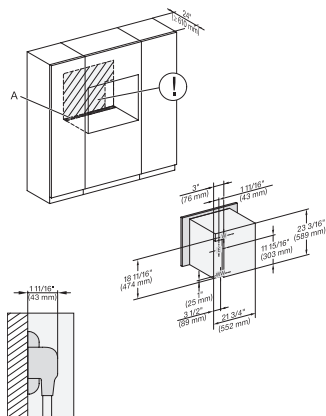
7/8" – 22* mm – Glass, 15/16" – 23.3** mm – Stainless steel



installation 30 inch Proud DGC30 XXL, installation drawing, NA

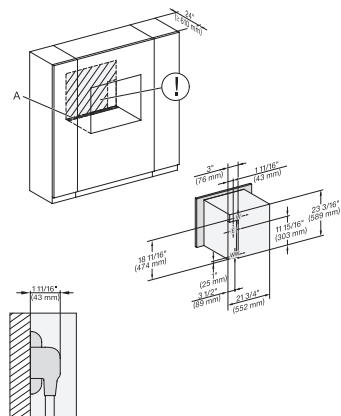


installation 30 inch Proud wide front DGC30 XXL, installation drawing, NA



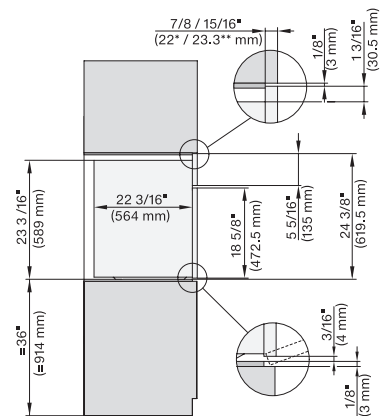
installation 30 inch Proud DGC XXL, installation drawing, NA

A – Cut-out (1 9/16" x 19 11/16" / 40 mm x 500 mm) in the bottom of the cabinet for power cord and ventilation, – Electrical and water supplies are recommended to be placed in adjacent cabinetry., Additional cabinet depth is required when placing the electrical and water supplies behind the appliance., E = Electric connection, W = Water connection, L = 9' 10 1/8" (3,000 mm), WW = Waste water connection, L = 9' 10 1/8" (3,000 mm), The top end of the drain hose to the inlet of the odor trap must not be higher than 19 11/16" (500 mm).



installation 30 inch wide front DGC XXL, installation drawing, NA

A – Cut-out (1 9/16" x 19 11/16" / 40 mm x 500 mm) in the bottom of the cabinet for power cord and ventilation, – Electrical and water supplies are recommended to be placed in adjacent cabinetry., Additional cabinet depth is required when placing the electrical and water supplies behind the appliance., E = Electric connection, W = Water connection, L = 9' 10 1/8" (3,000 mm), WW = Waste water connection, L = 9' 10 1/8" (3,000 mm), The top end of the drain hose to the inlet of the odor trap must not be higher than 19 11/16" (500 mm).



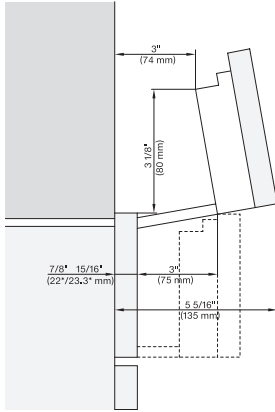
side view, 30 inch Flush inset DGC30 XXL, installation drawing, NA

7/8" – 22* mm – Glass, 15/16" – 23.3** mm – Stainless steel

DGC 7880X

30" Handleless Combi-Steam Oven XXL

for steam cooking, baking, roasting with roast probe + menu cooking.



swivel range 30 inch Proud DGC, installation drawing, NA

7/8" – 22* mm – Glas, 15/16" – 23.3** mm – Edelstahl