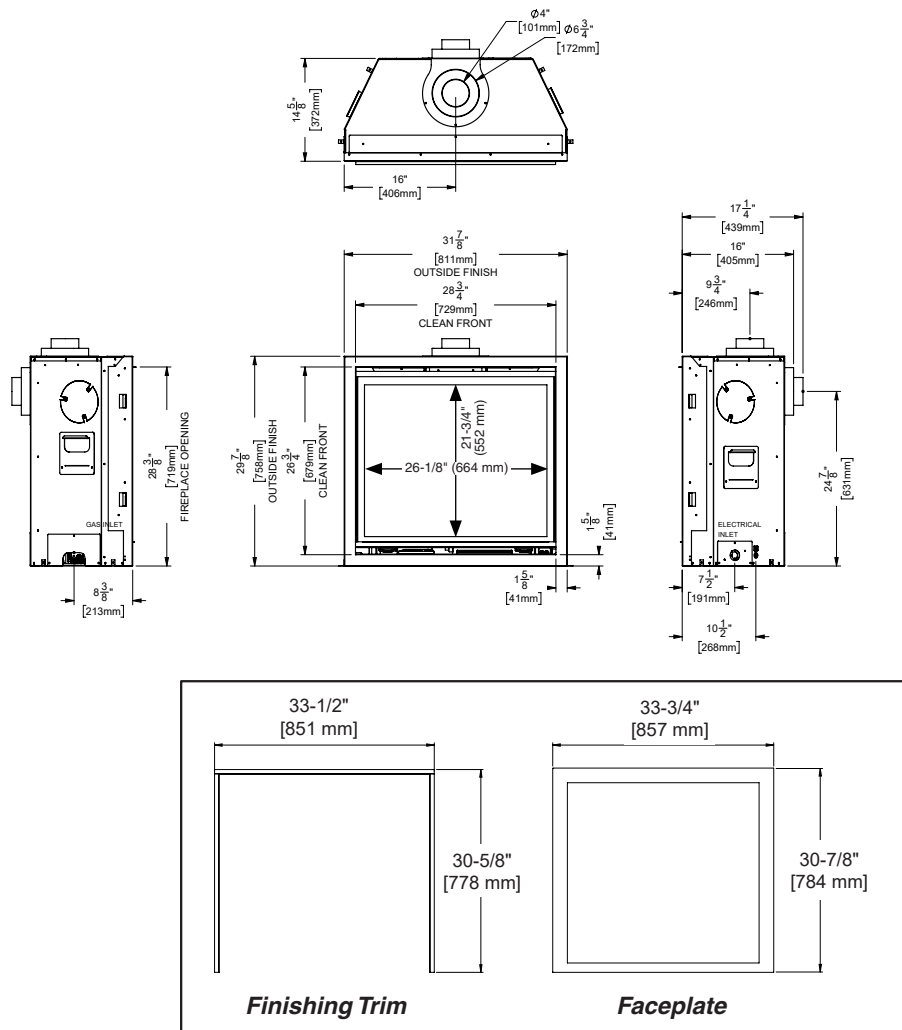


# GRANDVIEW G600EC GAS FIREPLACE

MODEL	G600EC-NG	G600EC-LP
Fuel Type	Natural Gas	Propane
Minimum Supply Pressure	5" W.C. (1.25 kPa)	11" W.C. (2.74 kPa)
Manifold Pressure - High	3.8" W.C. (0.94 kPa)	10" W.C. (2.49 kPa)
Manifold Pressure - Low	1.1" W.C. (0.27 kPa)	6.4" W.C. (1.60 kPa)
Orifice Size -Altitude 0-4500 ft	# 46 DMS	# 55 DMS
Minimum Input Altitude 0-4500 ft. (0-1372m)	11,500 Btu/h (3.37 kW)	16,500 Btu/h (4.84 kW)
Maximum Input Altitude 0-4500 ft. (0-1372m)	21,000 Btu/h (6.15 kW)	20,500 Btu/h (6.01 kW)
Vent Sizing	4" Inner / 6-5/8" Outer	4" Inner / 6-5/8" Outer
CSA P.4.1	64.8%	67.22%



## G600EC Dimensions



# G600EC CLEARANCE/FRAMING AND VENTING CONFIGURATIONS

The G600EC is designed to allow for unique installation options—depending on the desired finish. Please review the options and follow the specific clearance, framing, and finishing options for that application.

The applications are as follows:

**Cool Wall installation-Clean Front & Outside Finish:** combustible materials can be installed right up to the fireplace opening with this option.

**Non Combustible Installation-Clean Front & Outside Finish Applications:** non-combustible required when installing materials right to the fireplace opening with this option.

Note: The topics listed below can be found in the pages that follow.

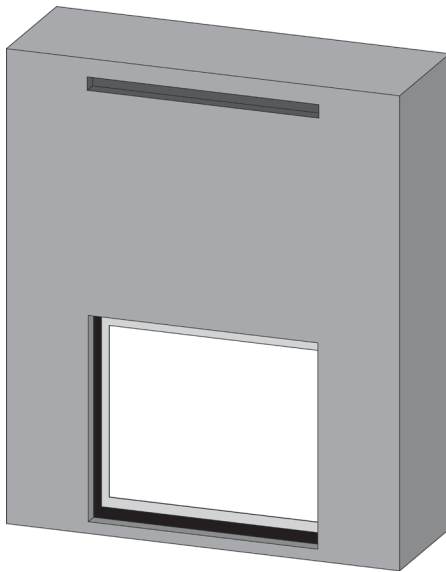
- Cool Wall Installation (Combustible Finishing)
- Non Combustible Installation
- Unit Assembly Prior to Installation
- Cool Wall Clearances
- Cool Wall Mantel Clearances
- Cool Wall Mantel Leg Clearances
- Cool Wall Installation - Framing
- Cool Wall Installation - Cool Wall Conversion
- Chase Venting
- Chase Vent Installation-Cool Wall
- Clean Front Installation (Non Cool Wall)—Clearances
- Clean Front Installation (Non Cool Wall)—Mantel Clearances
- Clean Front Installation (Non Cool Wall)—Mantel Leg Clearances
- Clean Front Installation (Non Cool Wall) — Non Combustible Requirements
- Clean Front Installation-Framing (Non Cool Wall)
- Clean Front Installation
- Outside Finish Installation (Non Cool Wall)—Clearances
- Outside Finish Installation (Non Cool Wall)—Mantel Clearances
- Outside Finish Installation (Non Cool Wall)—Mantel Leg Clearances
- Outside Finish Installation (Non Cool Wall)—Framing
- Outside Finish-Finishing
- Faceplate Installation
- Finishing Trim Install

# G600EC COOL WALL INSTALLATION

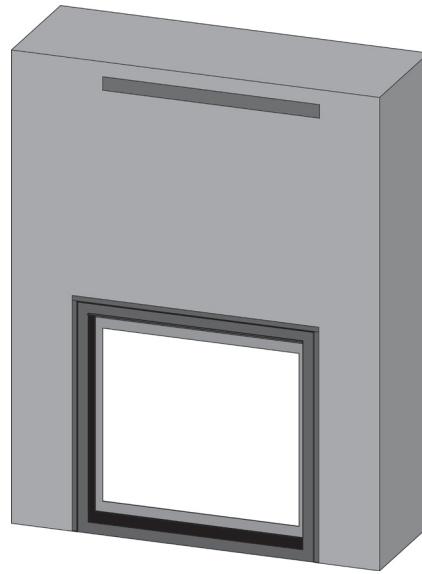
## Combustible Finishing

Cool Wall Install:

- Vented chase
- Combustible material can be used all around the fireplace
- Combustible framing



Clean Front

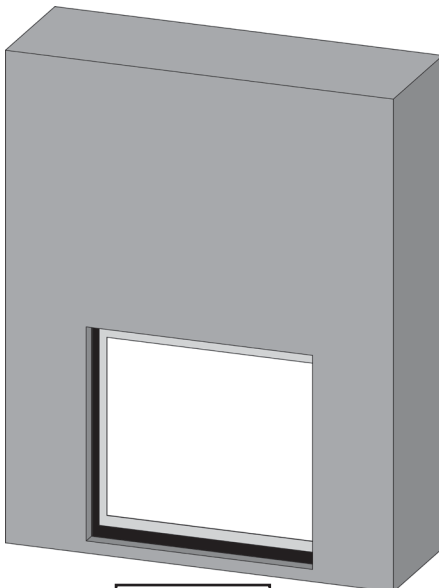


Outside Finish w/ Finishing Trim

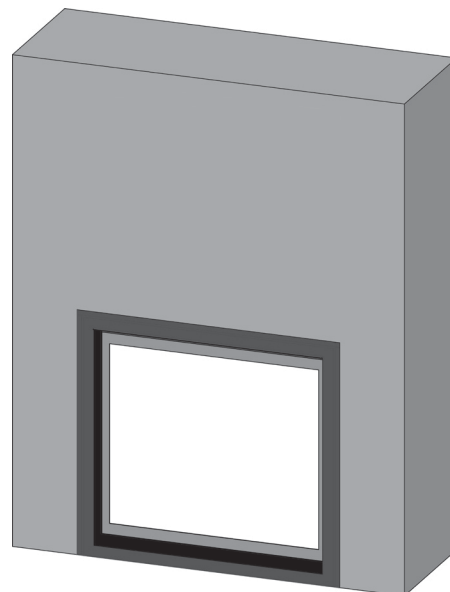
## Non Combustible Installation

Install:

- Non-vented chase
- Non-combustible board required
- Combustible framing



Clean Front



Outside Finish w/ Faceplate

# G600EC COOL WALL CLEARANCES

The clearances listed below are minimum distances unless otherwise stated:

A major cause of chimney related fires is failure to maintain required clearances (air space) to combustible materials. It is of the greatest importance that this fireplace and vent system be installed only in accordance with these instructions.

### Caution Requirements

The top, back and sides of the fireplace are defined by standoffs. The metal ends of the standoff may **NOT** be recessed into combustible construction.

### WARNING

**Fire hazard is an extreme risk**  
If these clearances (air space) to combustible materials are not adhered to. It is of greatest importance that this fireplace and vent system be installed only in accordance with these instructions.

### G600EC Clearance Requirements—Cool Wall Installations

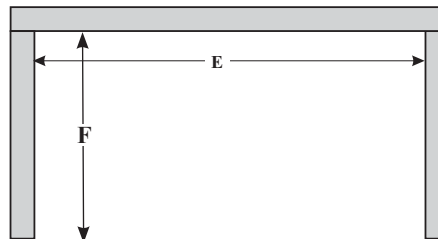
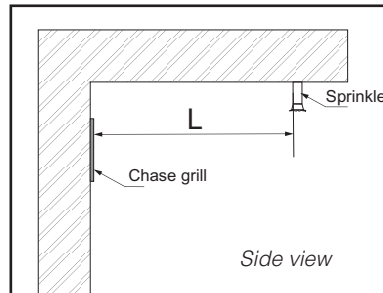
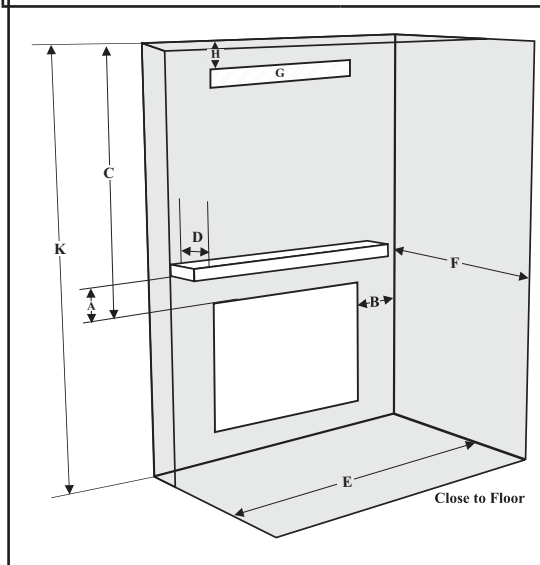
Clearance:	Cool Wall - Clean Front	Measured From:
A: Mantel Height (min.)	1" (25 mm)**	Top of Fireplace Opening
B: Sidewall	6" (152 mm)	Side of Fireplace Opening
C: Ceiling	44-1/4" (1124 mm)	Top of Fireplace Opening
D: Mantel Depth (max.)	12" (305 mm)	Front of Fireplace Opening
E: Alcove Width	84" (2134 mm)	Wall to Wall (Minimum)
F: Alcove Depth	36" (914 mm)	Front to Back Wall (Maximum)
G: Convection Air Outlet	58 in <sup>2</sup> (375 cm <sup>2</sup> )*	Top/Front of Enclosure
H: Convection Air Outlet Opening Offset	0-2" (0-51 mm)	*Top of Chase Enclosure
K: Chase Enclosure (Min.)	74-1/2" (1892 mm)	From Base of Appliance Floor
L: Clearance to Sprinkler Head (Min.)	36" (914 mm)	Perpendicular From Chase Grill
Notes:	0"	No Hearth Required

### Minimum Vent Clearances to Combustibles

Horizontal Top	2" (51mm)
Horizontal Side	1-1/2" (38mm)
Horizontal Bottom	1-1/2" (38mm)
Vertical Vent	1-1/2" (38mm)

**IMPORTANT - \*A minimum of 58 square inches of open area, not lower than 0"-2" from top of enclosure, required for all cool wall installations — this can be achieved by having an open area in front. See manual for details.**

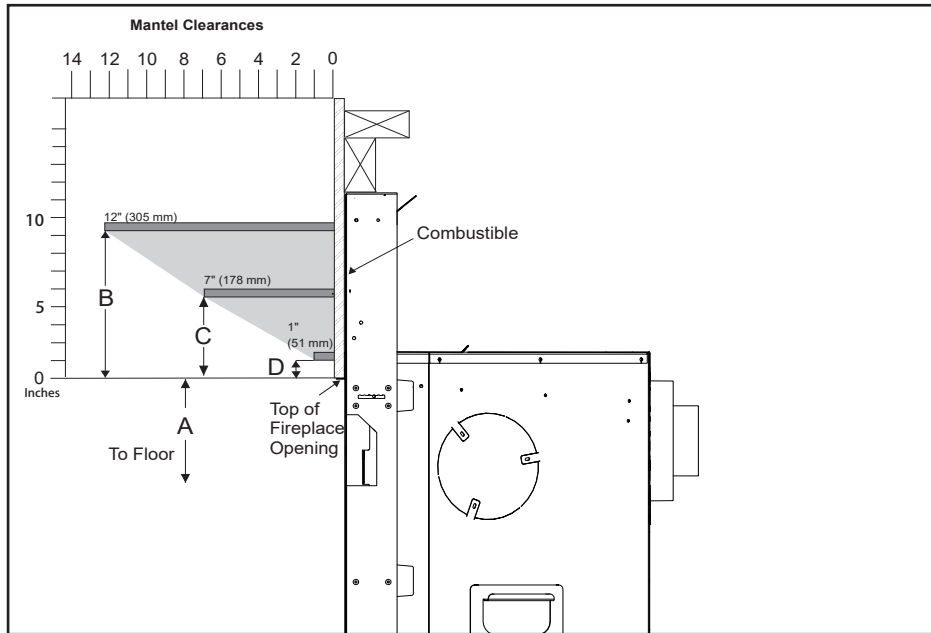
**\*\* An extra 3/4" (19mm) of mantel height is required when using a faceplate.**



Alcove

# G600EC COOL WALL MANTEL CLEARANCES

Due to the extreme heat this fireplace emits, the mantel clearances are critical. Combustible mantel clearances from top of front facing are shown in the diagram below.

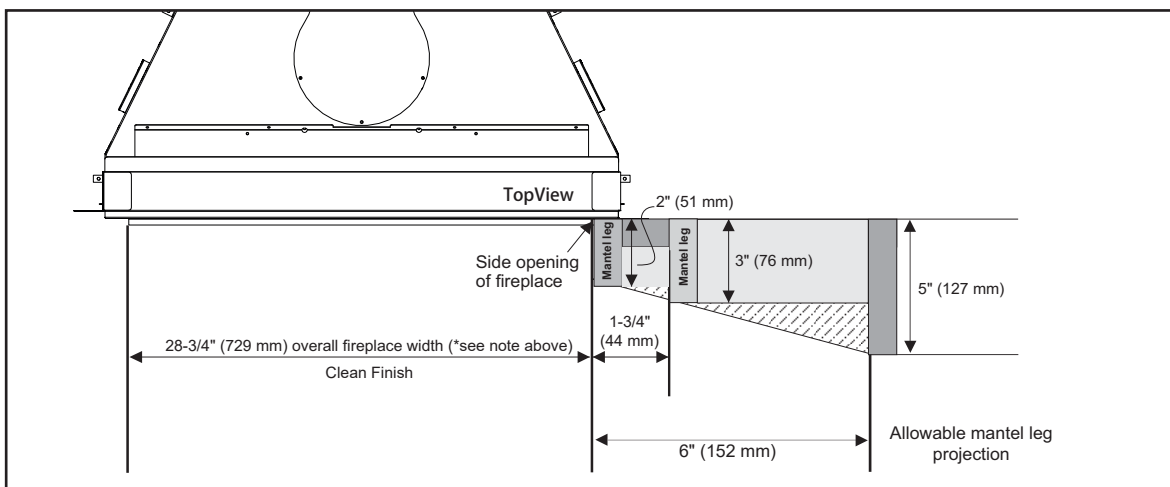


Mantel Clearances G600EC	A	B	C	D
From Top of Fireplace Opening	29 3/8" (746 mm)	9-1/4" (235 mm)	5-1/2" (140 mm)	1" (25 mm)

**Note:** Ensure the paint that is used on the mantel and the facing is high quality or the paint may discolour.

**\*Note:** When the clean-finish and optional faceplate are chosen, overall width changes from 28-3/4" (729 mm) to 33" (838 mm), and to 32 (813 mm) when the clean-finish and optional finishing trim are chosen.

## Cool Wall Mantel Leg Clearances

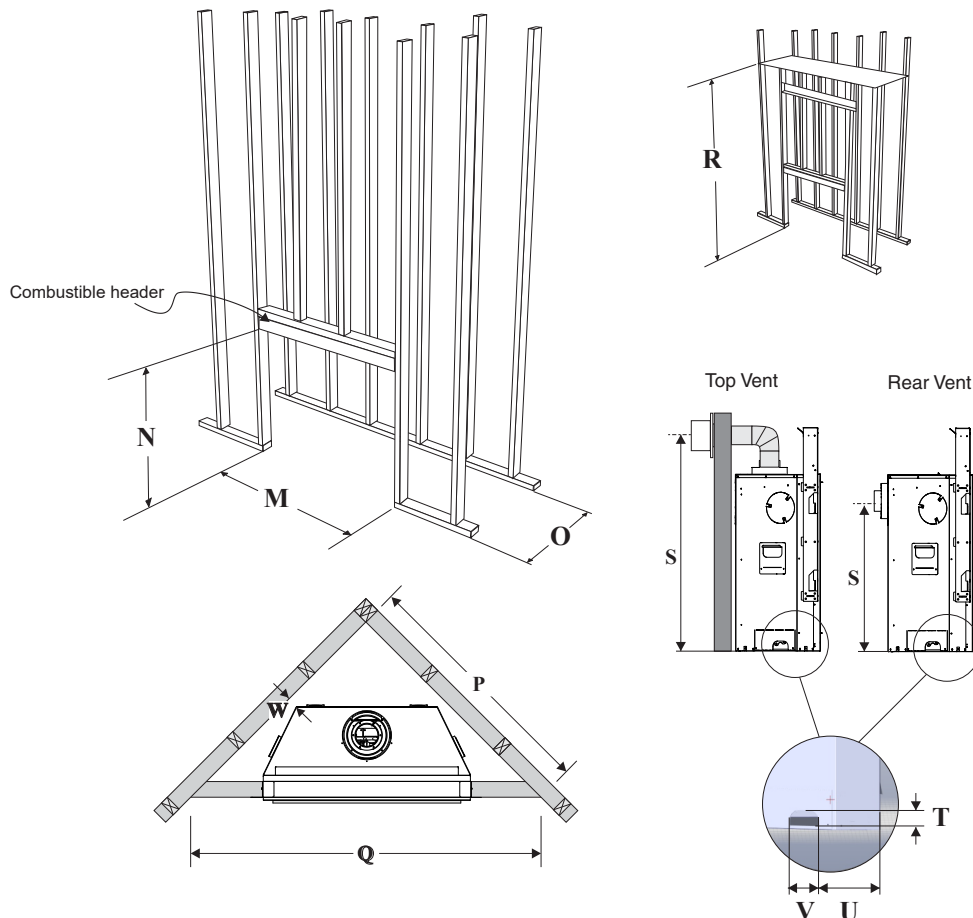


## G600EC COOL WALL FRAMING DIMENSIONS

Framing Dimensions	Description	Cool Wall
M	Framing Width	33-1/2" (851 mm)
N*	Framing Height	40" (1016 mm)
O	Framing Depth	15" (381 mm)
P	Corner Facing Wall Width	37-1/4" (946 mm)
Q	Corner Facing Wall Width	52-1/2" (1334 mm)
R	Framed Chase Ceiling Enclosure	74-1/2" (1892 mm)
S (Rear Vent)	Vent Centerline Height - Rear	25" (635 mm)
S (Top Vent)	Vent Centerline Height - Top	39-1/2" (1003 mm)
T	Gas Connection Height	1-7/8" (48 mm)
U	Gas Connection Inset	8-3/8" (213 mm)
V	Gas Connection Width	3-1/2" (89 mm)
W	Clearance to Corner of Unit	1/2" (13 mm)

\* Important: Framing height requires consideration of the hearth height. Dimension N = N + the thickness of the installed hearth.

Note: The 2 standoffs at the rear of the appliance may be removed as these are not required in this application. Ensure that any screws that are removed are reinstalled. The 2 standoffs can be recycled/discarded.

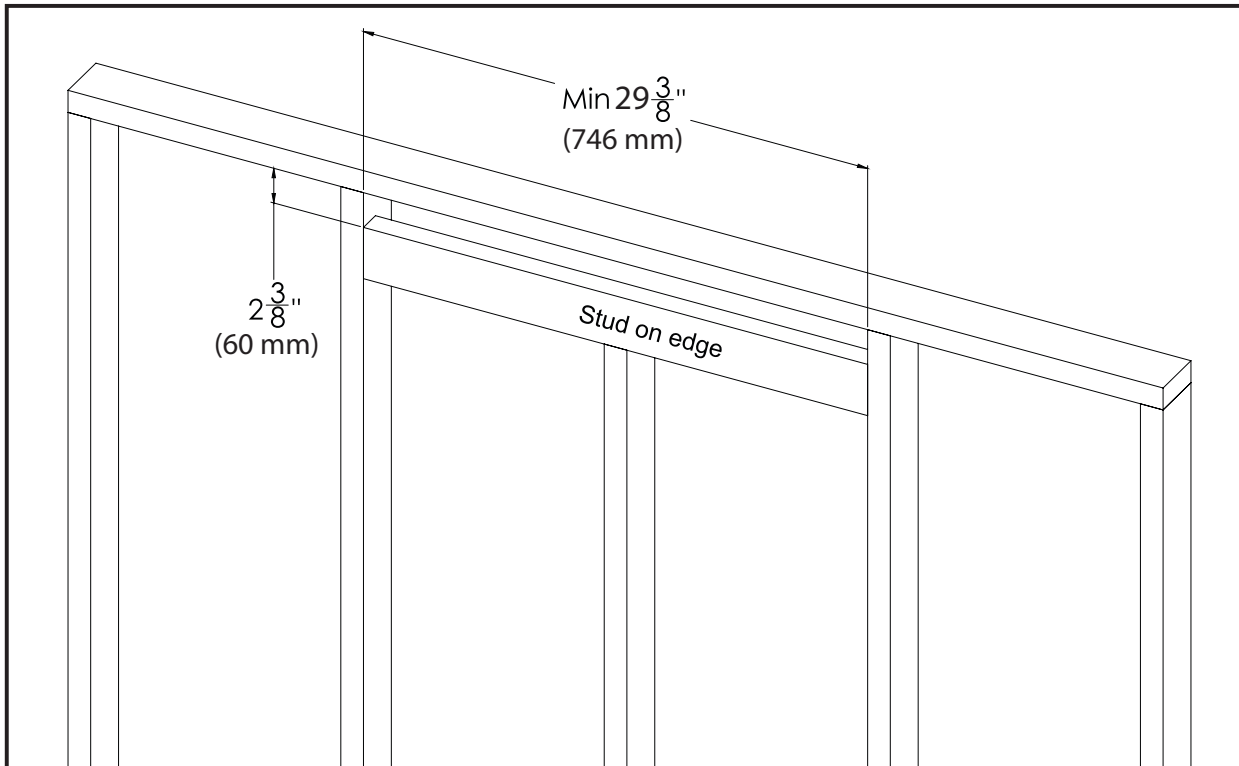


# G600EC CHASE VENT INSTALLATION

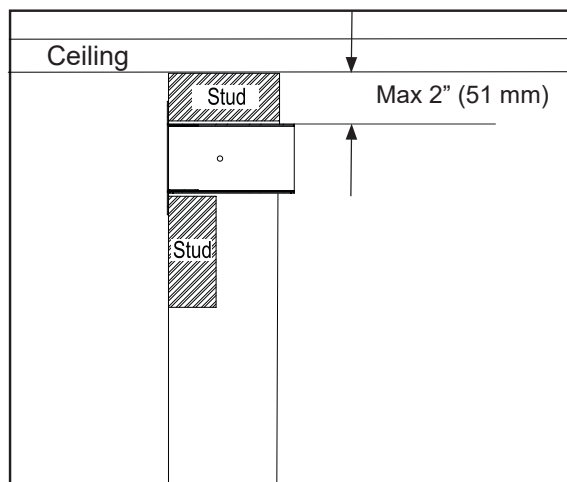
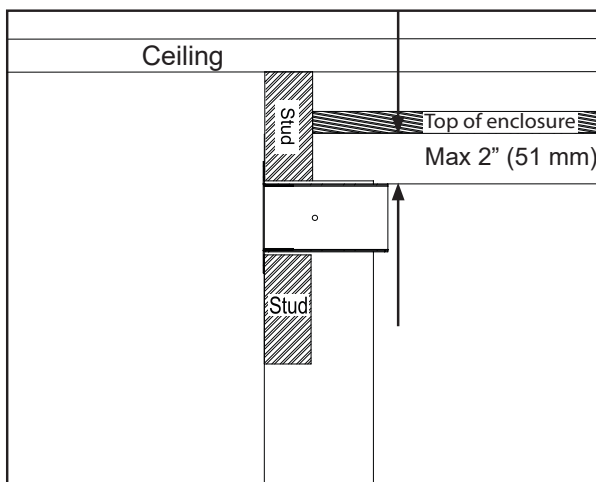
**(Part #776-941)**

Framed opening must be at least 2 3/8" (60 mm) tall, and at least 29 3/8" (746 mm) wide to accommodate the chase vent. The top of the chase vent opening must be 2" (51 mm) or less from the top of the chase enclosure. Fasten the chase vent with screws and construction adhesive.

If the chase vent is not being used, a minimum 58 in<sup>2</sup> (374 cm<sup>2</sup>) opening in the enclosure is required to maintain safe operating temperatures. This can be achieved in a number of ways including a reveal at the top of the chase.



Side View



# G600EC NON COOL WALL CLEARANCES

The clearances listed below are minimum distances unless otherwise stated:

A major cause of chimney related fires is failure to maintain required clearances (air space) to combustible materials. It is of the greatest importance that this fireplace and vent system be installed only in accordance with these instructions.

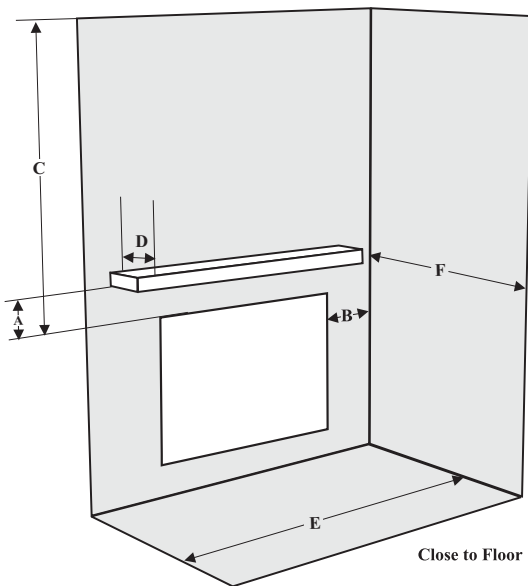
### Caution Requirements

The top, back and sides of the fireplace are defined by standoffs. The metal ends of the standoff may **NOT** be recessed into combustible construction.

### WARNING

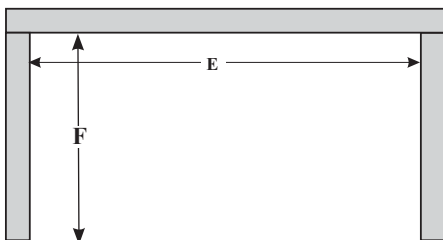
Fire hazard is an extreme risk if these clearances (air space) to combustible materials are not adhered to. It is of greatest importance that this fireplace and vent system be installed only in accordance with these instructions.

G600EC Clearance Requirements		
Clearance:	Dimension	Measured From:
A: Mantel Height (min.)	14" (356 mm)	Top of Fireplace Opening
B: Sidewall	25" (635 mm)	Side of Fireplace Opening
C: Ceiling	36" (914 mm)	Top of Fireplace Opening
D: Mantel Depth (max.)	17" (432 mm)	Front of Fireplace Opening
E: Alcove Width	84" (2134 mm)	Wall to Wall (Minimum)
F: Alcove Depth	36" (914 mm)	Front to Back Wall (Maximum)
Notes:	0"	No Hearth Required



### Minimum Vent Clearances to Combustibles

Horizontal Top	2" (51mm)
Horizontal Side	1-1/2" (38mm)
Horizontal Bottom	1-1/2" (38mm)
Vertical Vent	1-1/2" (38mm)

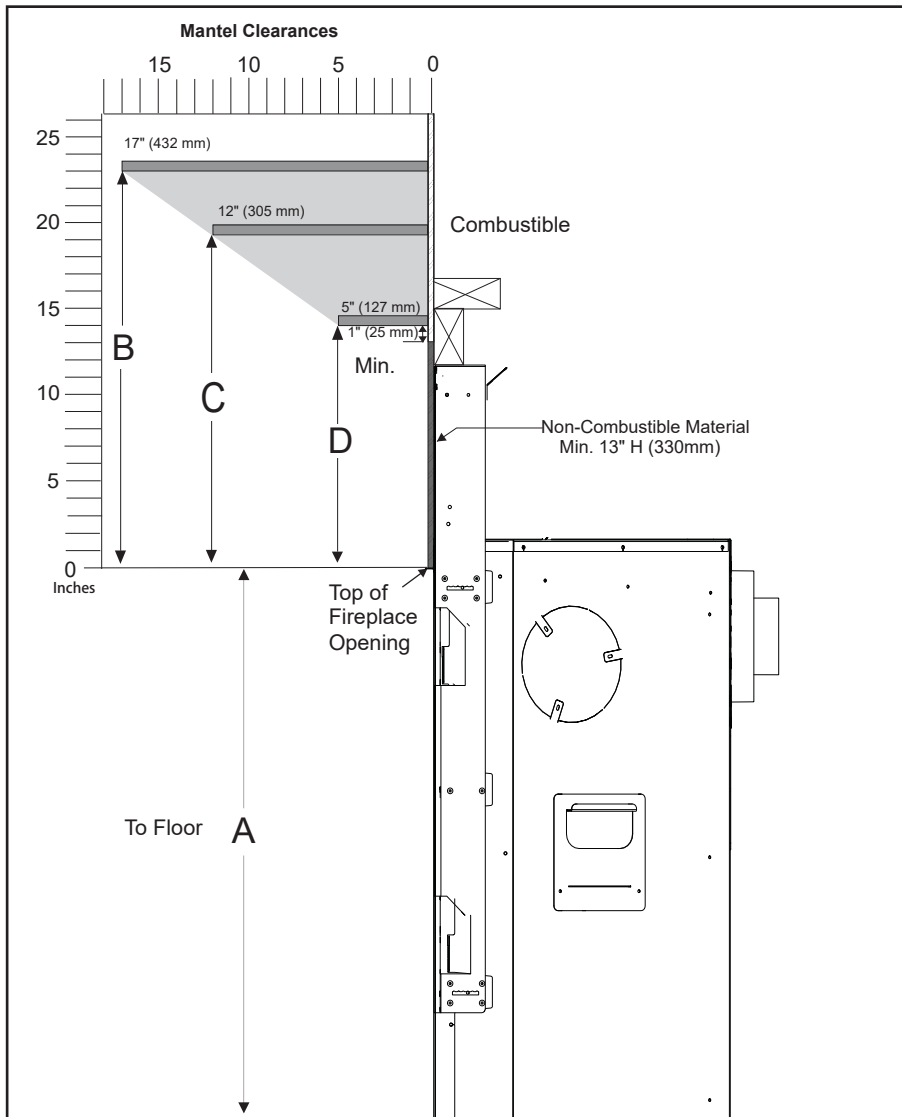




# G600EC NON COOL WALL MANTEL CLEARANCES

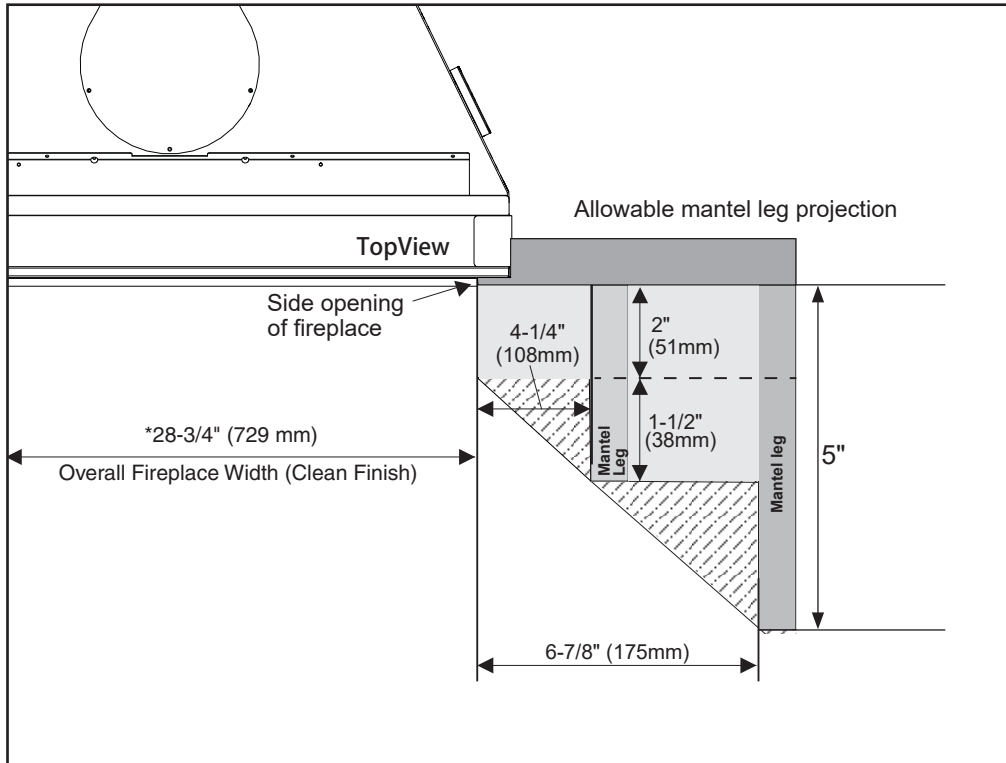
Due to the extreme heat this fireplace emits, the mantel clearances are critical. Combustible mantel clearances from top of front facing are shown in the Diagram on the right.

**Note: Ensure the paint that is used on the mantel and the facing is "High Quality" or the paint may discolour.**

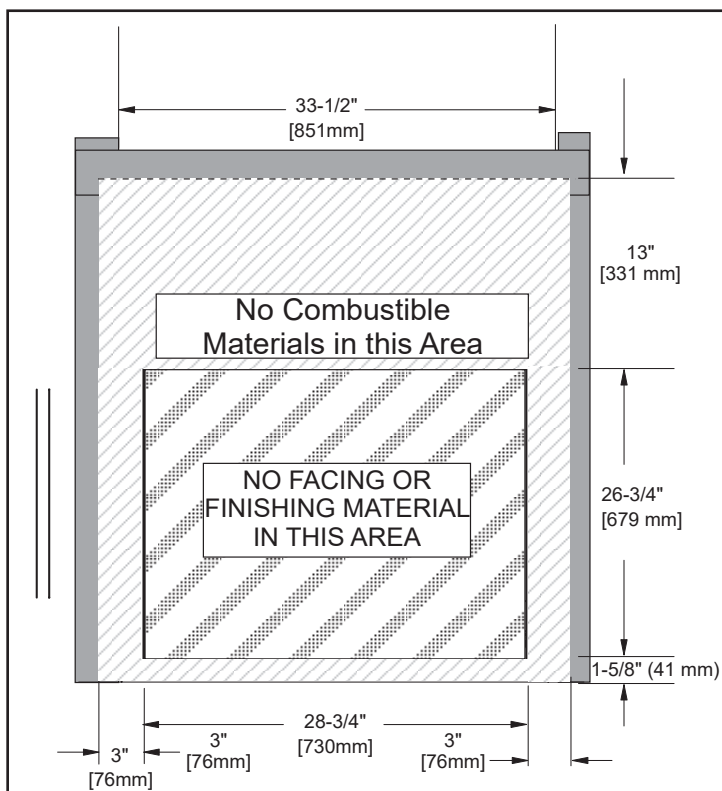


Mantel Clearances G600EC	A	B	C	D
From Top of Fireplace Opening	28-3/8" (721mm)	23" (584mm)	19-1/4" (489mm)	14" (356mm)

# G600EC CLEAN FRONT INSTALLATION MANTEL LEG CLEARANCES (NON COOL WALL)



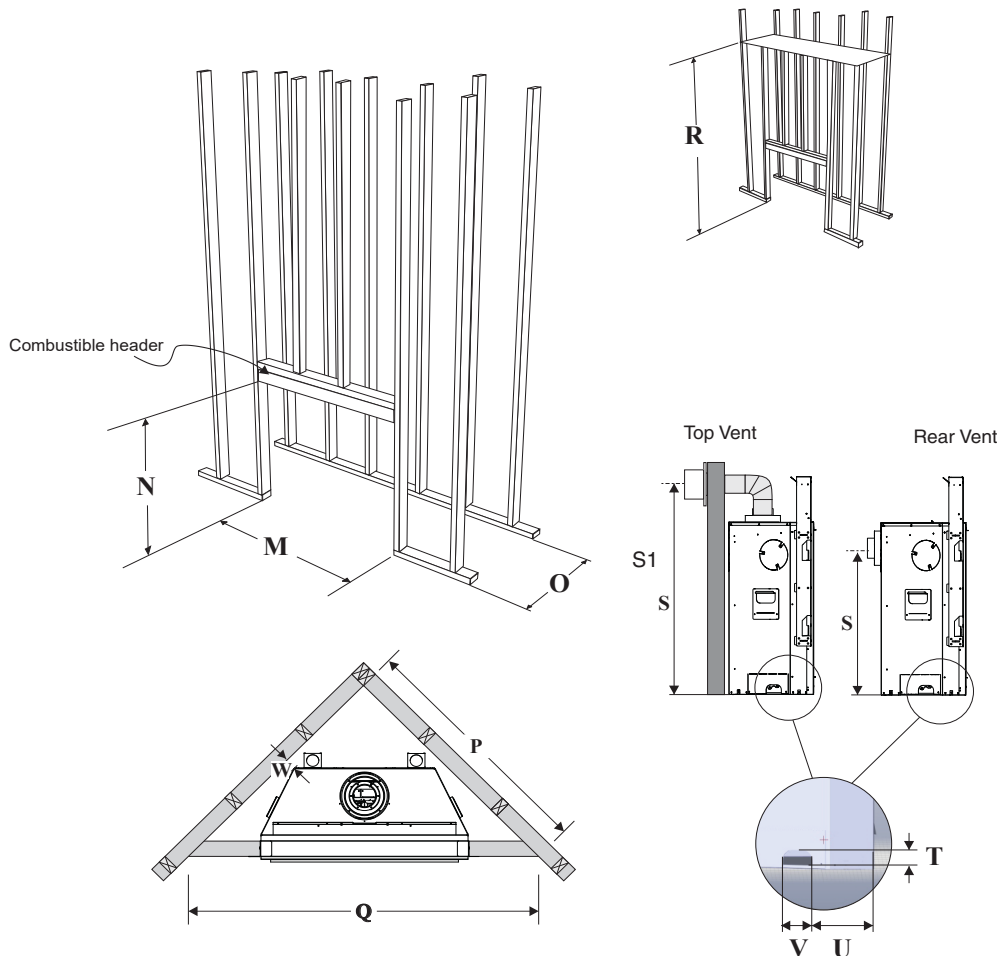
## Non Combustible Requirements



# G600EC CLEAN FRONT INSTALLATION - FRAMING (NON COOL WALL)

Framing Dimensions	Description	G600EC - Non Cool Wall
M	Framing Width	33-1/2" (851 mm)
N*	Framing Height	40" (1016 mm)
O	Framing Depth	16-3/4" (452 mm)
P (Top Vent Only)	Corner Facing Wall Width	40" (1016 mm)
Q (Top Vent Only)	Corner Facing Wall Width	57" (1448 mm)
R (Top Vent)	Framed Chase Ceiling	72" (1829 mm)
R (Rear Vent)	Framed Chase Ceiling	43-1/2" (1105 mm)
S (Rear Vent)	Vent Centerline Height-Rear	25" (635 mm)
S1 (Top Vent)	Vent Centerline Height - Top	39-1/2" (1003 mm)
T	Gas Connection Height	1-7/8" (48 mm)
U	Gas Connection Inset	8-3/8" (213 mm)
V	Gas Connection Width	3-1/2" (89 mm)
W	Clearance to corner of unit	2 (51 mm)
	**Non-combustible Facing Height	13" (330 mm)

\* Important: Framing height requires consideration of the hearth height. Dimension N = N + the thickness of the installed hearth.  
 \*\* See previous page for details on non-combustible facing requirements above appliance.



## G600EC CLEAN FRONT TRIM INSTALLATION

1. Install the nailing flanges, see manual for instructions.
2. Loosen the four (4) screws that secure the left and right nailing flanges to the unit.
3. Slide the left and right tiling flanges onto the front of the fireplace. Use the slots to center, with the screw securing the nailing flanges (Diagram 1).
4. Tighten screws.
5. Slide the bottom tiling flange against the bottom of the fireplace. Secure with a screw on each side.
6. Finishing material can now be pressed against the flat edge created by the clean front trim (Diagram 2).

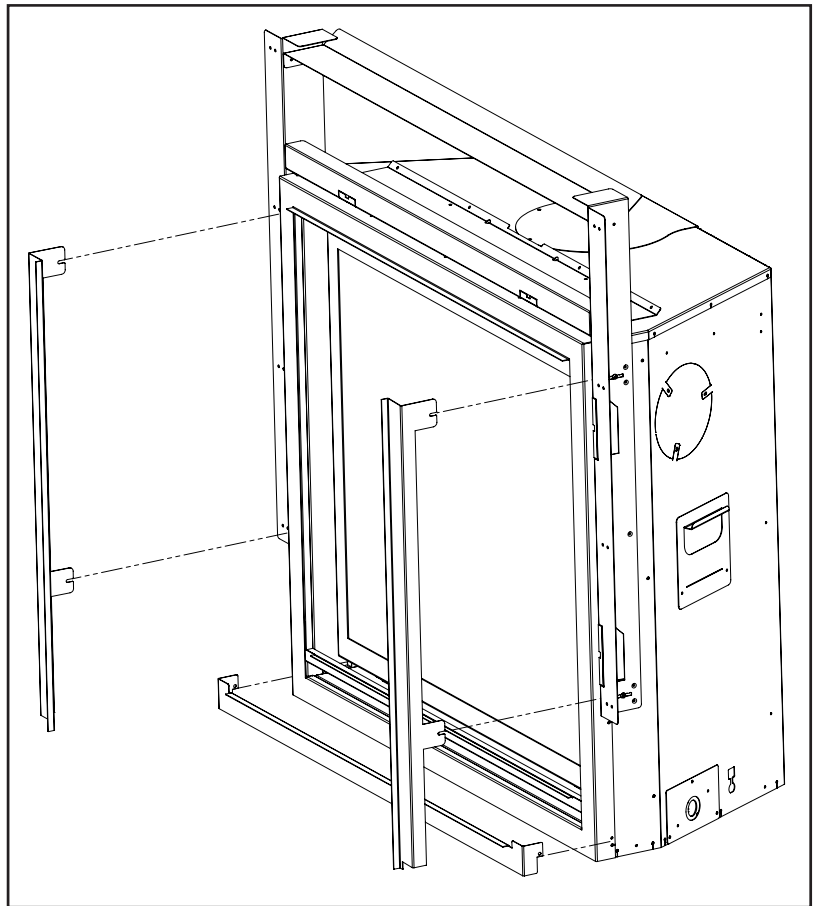


Diagram 1: Exploded View

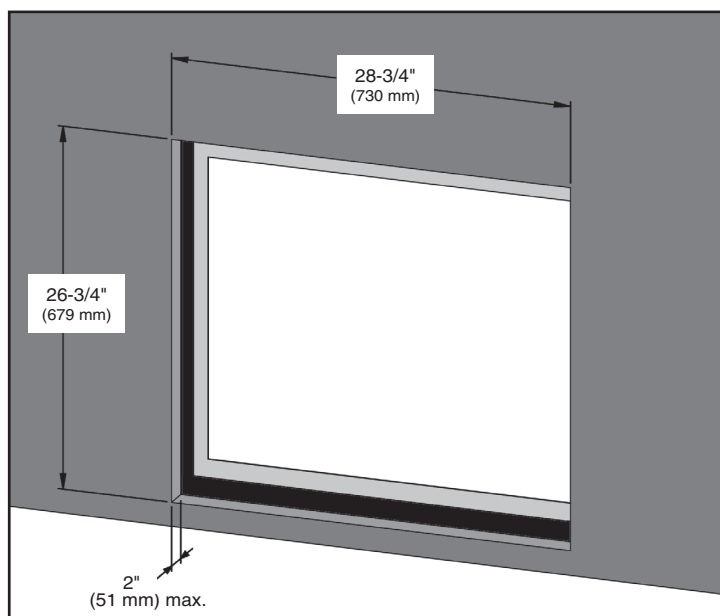


Diagram 2: Finishing Dimensions

**NOTE: Do NOT finish beyond the dimensions in Diagram 2.**

# G600EC OUTSIDE FINISH INSTALLATION (NON COOL WALL) CLEARANCES

The clearances listed below are minimum distances unless otherwise stated:

A major cause of chimney related fires is failure to maintain required clearances (air space) to combustible materials. It is of the greatest importance that this fireplace and vent system be installed only in accordance with these instructions.

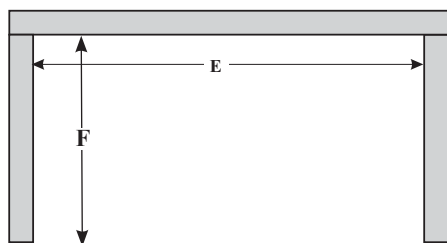
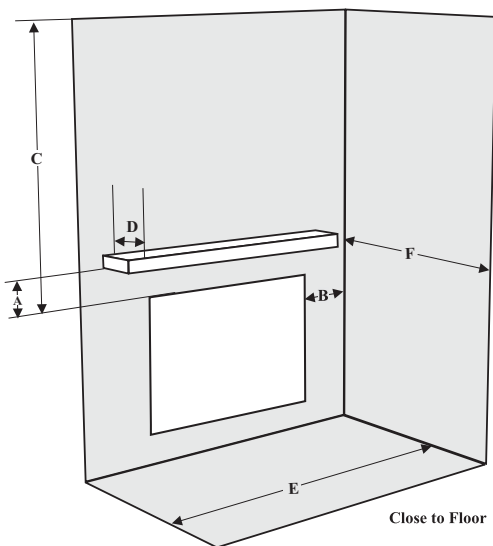
### Caution Requirements

The top, back and sides of the fireplace are defined by standoffs. The metal ends of the standoff may **NOT** be recessed into combustible construction.

### WARNING

**Fire hazard is an extreme risk if these clearances (air space) to combustible materials are not adhered to. It is of greatest importance that this fireplace and vent system be installed only in accordance with these instructions.**

G600C Outside Finish Clearance Requirements		
Clearance:	Dimension	Measured From:
<b>A: Mantel Height (min.)</b>	12" (305mm)	Top of Fireplace Opening
<b>B: Sidewall</b>	25" (635mm)	Side of Fireplace Opening
<b>C: Ceiling</b>	36" (914mm)	Top of Fireplace Opening
<b>D: Mantel Depth (max.)</b>	17" (432mm)	Top of Fireplace Opening
<b>E: Alcove Width</b>	84" (2134mm)	Wall to Wall (Minimum)
<b>F: Alcove Depth</b>	36" (914mm)	Front to Back Wall (Maximum)
<b>Notes:</b>	0"	No Hearth Required



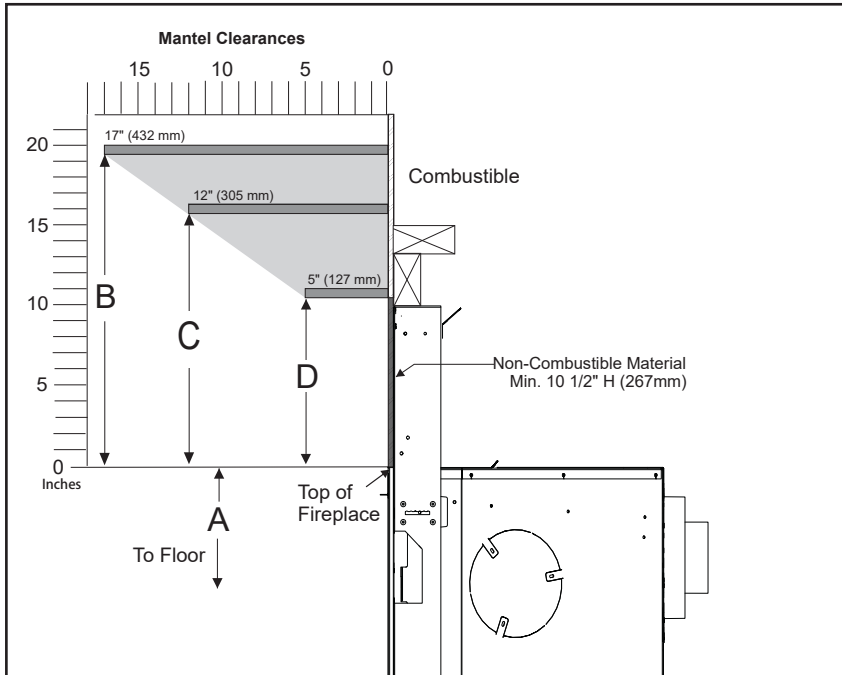
Alcove

### Minimum Vent Clearances to Combustibles

Horizontal Top	2" (51mm)
Horizontal Side	1-1/2" (38mm)
Horizontal Bottom	1-1/2" (38mm)
Vertical Vent	1-1/2" (38mm)

# G600EC OUTSIDE FINISH INSTALLATION (NON COOL WALL) MANTEL CLEARANCES

Due to the extreme heat this fireplace emits, the mantel clearances are critical. Combustible mantel clearances from top of front facing are shown in the diagram below.

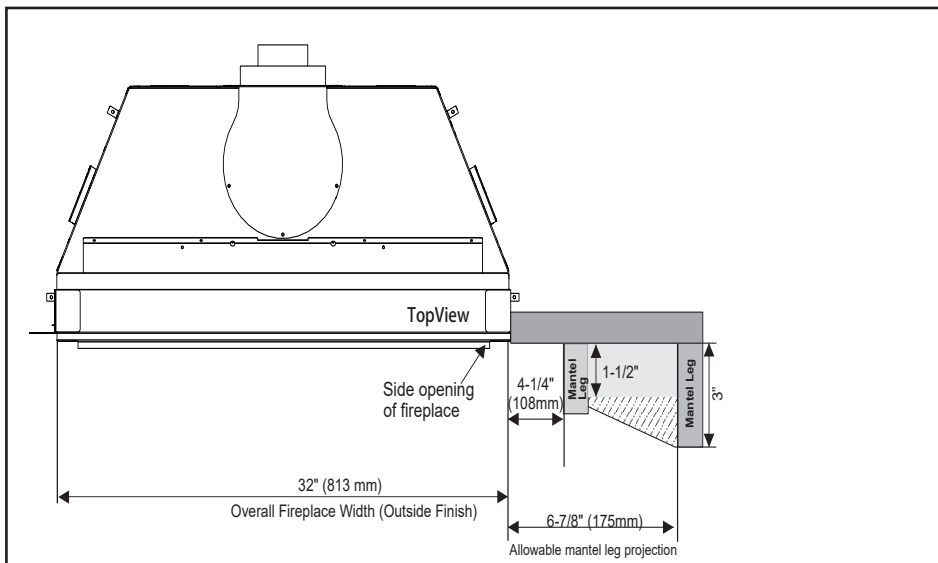


Mantel Clearances G600C	A	B	C	D
From Top of Fireplace	30" (762mm)	19-1/2" (495mm)	15-3/4" (400mm)	10-1/2" (267mm)

**Note:** Ensure the paint that is used on the mantel and the facing is high quality or the paint may discolour.

**\*\*The non combustible board supplied with the appliance is 13" (330 mm) high. This may be cut to size if desired.**

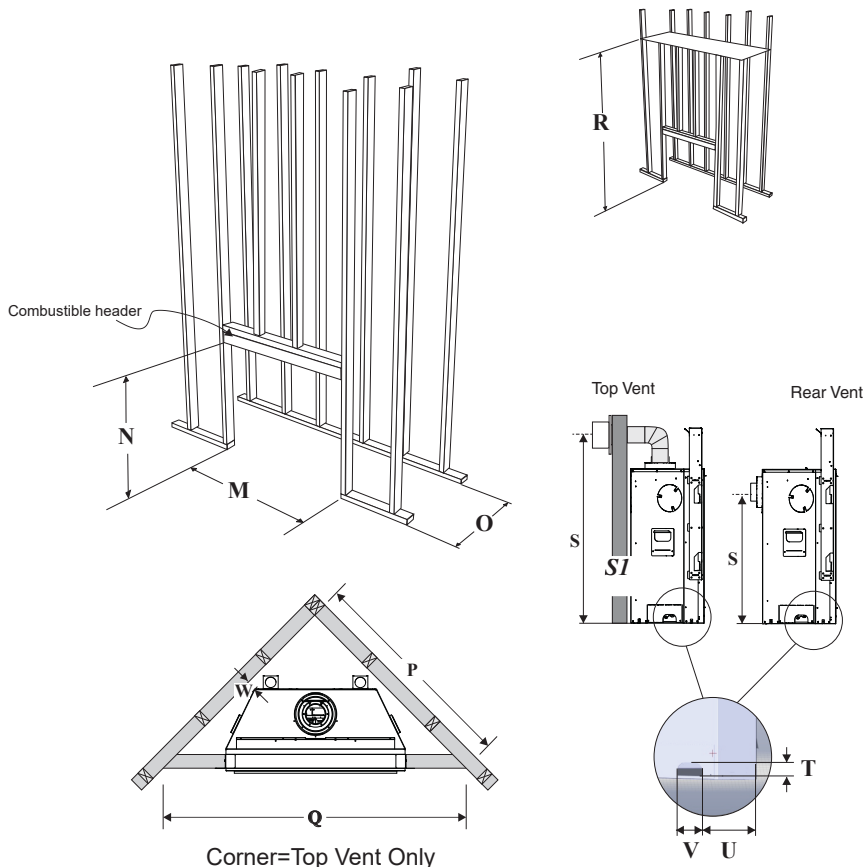
## Mantel Leg Clearances



## G600EC OUTSIDE FINISH INSTALLATION (NON COOL WALL) FRAMING

Framing Dimensions	Description	Outside Finish
M	Framing Width	33-1/2" (851 mm)
N*	Framing Height	40" (1016 mm)
O	Framing Depth	16-3/4" (425 mm)
P (Top Vent Only)	Corner Facing Wall Width	40" (1016 mm)
Q (Top Vent Only)	Corner Facing Wall Width	57" (1448 mm)
R (Top Vent)	Framed Chase Ceiling	72" (1829 mm)
R (Rear Vent)	Framed Chase Ceiling	43-1/2" (1105 mm)
S (Rear Vent)	Vent Centerline Height - Rear	25" (635 mm)
S1 (Top Vent)	Vent Centerline Height - Top	39-1/2" (1003 mm)
T	Gas Connection Height	1-7/8" (48 mm)
U	Gas Connection Inset	8-3/8" (213 mm)
V	Gas Connection Width	3-1/2" (89 mm)
W	Clearance to Corner of Unit	2" (51 mm)
	Non-combustible Height	10-1/2" (267 mm)

\* Important: Framing height requires consideration of the hearth height. Dimension N = N + the thickness of the installed hearth.



**IMPORTANT:** Corner applications are vented from the top only - rear venting cannot be used.

# G600EC VENTING ARRANGEMENTS

## Venting Arrangements for Horizontal Terminations Flex Vent or Rigid Pipe 4" (102 mm) x 6-5/8" (168 mm)

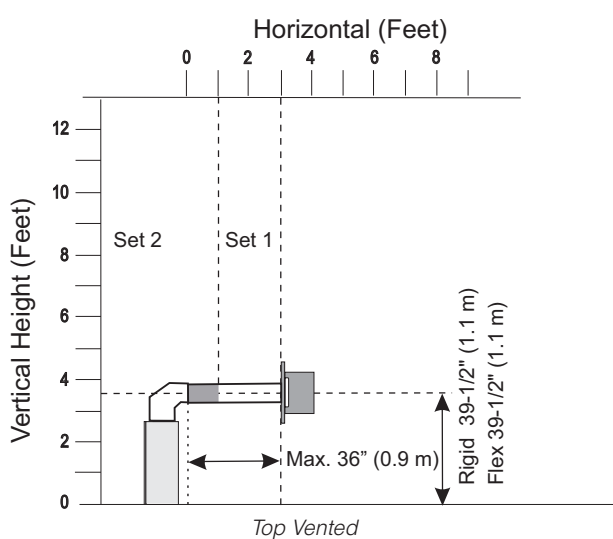
The Diagrams show all allowable combinations of vent runs with 4" (102 mm) x 6-5/8" (168 mm) venting using the Regency direct vent system or rigid vent system.

A vent guard should be used whenever the termination is lower than the specified minimum or as per local codes.

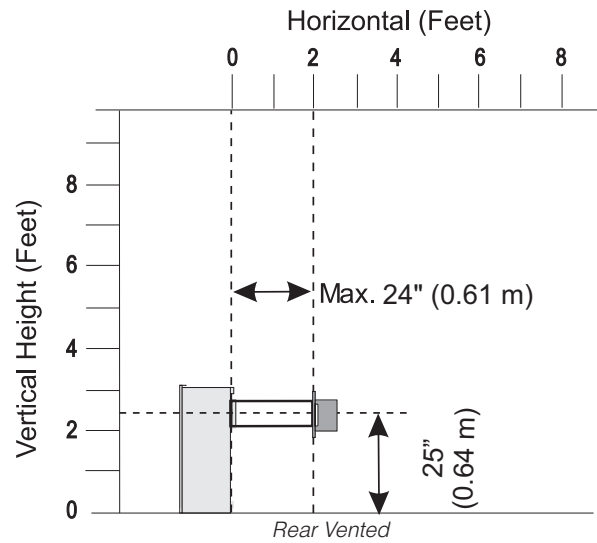
For horizontal terminations the Regency Direct Vent Flex System may be used for installations with a maximum **continuous** vent maximum horizontal length of 3ft (0.9m).

**Note: Must use optional rigid pipe adaptor (Part # 510-994) when using Rigid Pipe vent systems.**

- Maintain clearance to combustibles.
- Horizontal vent must be supported every 3 feet.
- Firestops are required at each floor level and whenever passing through a wall.



Set #1: 2" (51 mm) open between 1-3' (0.3 - 0.91 m) horizontal  
Set #2: 1-3/4" open (44 mm) less than 1' (0.3 m) horizontal



Factory Setting - 2-1/2" (64 mm)



## Horizontal or Vertical Terminations Rigid Pipe Venting Systems

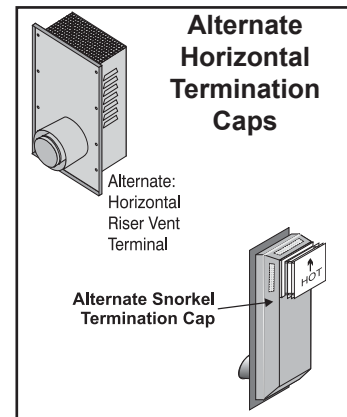
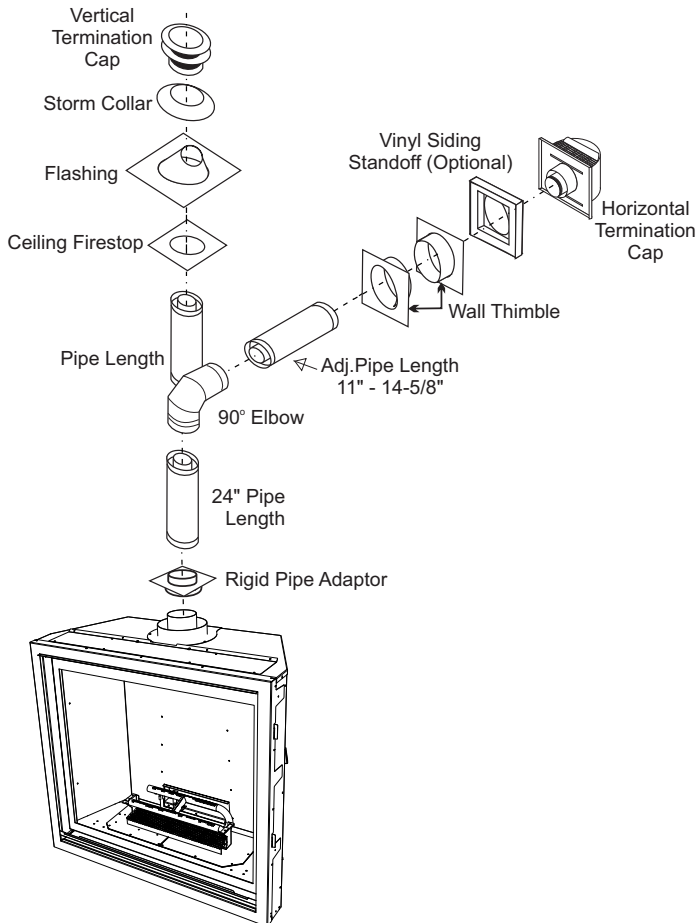
The minimum components required for a basic horizontal termination are:

- 1 Horizontal Termination Cap
- 1 90° Elbow
- 1 Rigid Pipe Adaptor
- 1 Wall Thimble
- 1 Length of pipe to suit wall thickness (see chart)

Wall thickness is measured from the back standoffs to the inside mounting surface of termination cap. For siding other than vinyl furring strips may be used, instead of the vinyl siding standoff, to create a level surface to mount the vent terminal. The Terminal must not be recessed into siding. Measure the wall thickness including furring strips.

If a Vinyl Siding Standoff is required (it must be used with vinyl siding), measure to outside surface of wall without siding and add 2 inches.

Flat Wall Installation	
Wall Thickness (inches)	Vent Length Required (inches)
4" (102 mm) - 5-1/2" (140 mm)	6" (152 mm)
7" (178 mm) - 8-1/2" (216 mm)	9" (229 mm)
10" (254 mm) - 11-1/2" (292 mm)	12" (305 mm)
9" (229 mm) - 14-1/2" (368 mm)	11" (279 mm) - 14-5/8" (371 mm) Adj. Pipe
15" (381 mm) - 23-1/2" (597 mm)	17" (432 mm) - 24" (610 mm) Adj. Pipe
Corner Installation	
Wall Thickness (inches)	Vent Length Required (inches)
3-1/4" (83 mm) - 6-3/4" (171 mm)	11" (279 mm) - 14-5/8" (371 mm) Adj. Pipe
7-3/4" (197 mm) - 16-1/4" (413 mm)	17" (432 mm) - 24" (610 mm) Adj. Pipe
7-1/4" - 8-3/4" (146 mm)	6" (152 mm) + 12" (305 mm) 9" (229 mm) + 9" (229 mm)
4-1/4" (108 mm) - 5-3/4"	6" (152 mm) + 9" (229 mm)



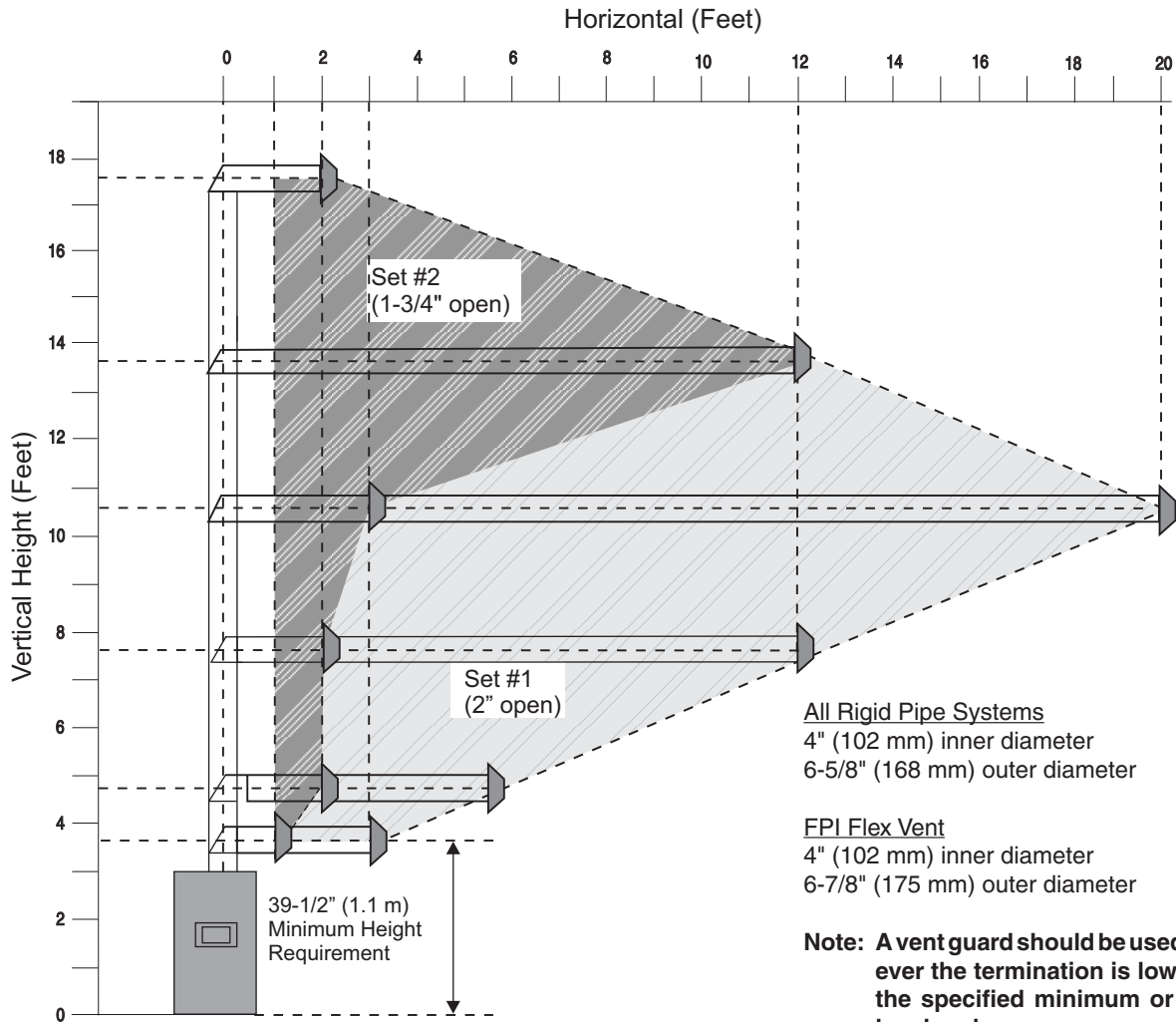
**WARNING:**  
Do not combine venting components from different venting systems.  
However use of the AstroCap™ and FPI Riser is acceptable with all systems.  
  
This product has been evaluated by Intertek for using a Rigid Pipe Adaptor in conjunction with DuraVent Direct Vent, Selkirk Direct-Temp, Ameri Vent Direct venting, Olympia Ventis DV and Security Secure Vent systems. Use of these systems with the Rigid Pipe Adaptor is deemed acceptable and does not affect the Intertek WHI listing of components.

The FPI AstroCap™ and FPI Riser Vent terminal are certified for installations using FPI venting systems as well as Simpson Dura-Vent® Direct Vent , American Metal Products, Olympia Ventis DV, Security Secure Vent®, AmeriVent Direct Vent. AstroCap™ is the proprietary trademark of FPI Fireplace Products International Ltd. Dura-Vent® and Direct Vent are registered and/or proprietary trademarks of Simpson Dura-Vent Co. Inc.

## Venting Arrangements - Horizontal Termination Rigid Pipe and FPI Direct Vent System (Flex) (Propane & Natural Gas)

The diagram shows all allowable combinations of vertical runs with horizontal terminations, using one 90° elbow (two 45° elbows equal one 90° elbow).

**Note: Must use optional rigid pipe adaptor (Part # 510-994) when using Rigid Pipe venting systems.**

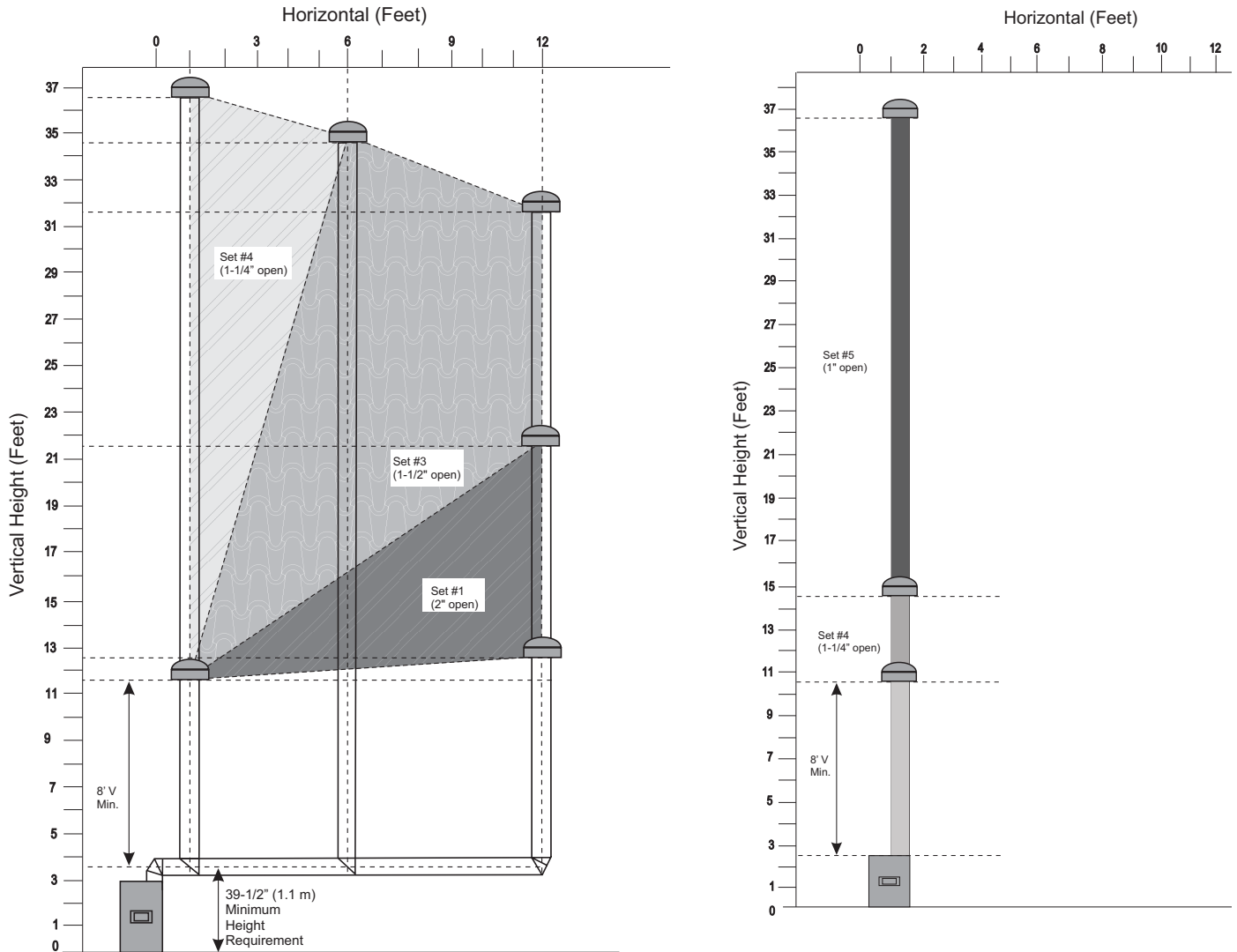


**Note: FPI Direct Vent Flex System Part #:946-513 (2 foot / 0.61 m), 946-515 (4 foot / 1.22 m) and 946-516 (10 foot / 3.05 m) only are approved for horizontal terminations.**

- Maintain clearances to combustibles.
- Horizontal vent must be supported every 3 feet.
- Firestops are required at each floor level and whenever passing through a wall.

## Venting Arrangements Vertical Termination Rigid Pipe System and Vertical Flex Kit to Same Limitations (Propane & Natural Gas)

The shaded area in the diagram shows all allowable combinations of straight vertical and offset to vertical terminations, using two 90° elbows, with rigid pipe vent systems for Propane and Natural Gas.



- Vent must be supported at offsets.
- Firestops are required at each floor level and whenever passing through a wall.
- Maintain clearances to combustibles.

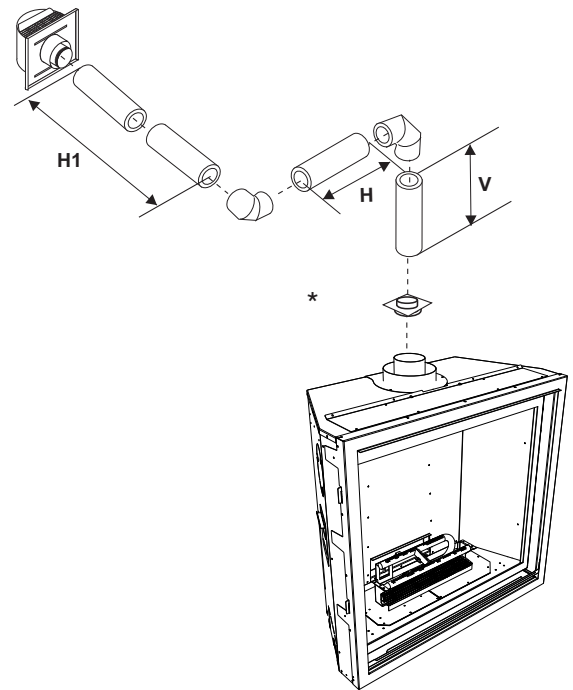
**Note: Must use optional rigid pipe adaptor when using rigid vent systems (Part # 510-994).**

## Horizontal Terminations Two (2) 90° Elbows

One 90° elbow = Two 45° elbows.		
Option	V	H + H1
A)	0' Min.	2' (0.61 m) Max.
B)	1' (0.3 m) Min.	3' (0.91 m) Max.
C)	2' (0.61 m) Min.	4' (1.22 m) Max.
D)	3' (0.91 m) Min.	5' (1.52 m) Max.
E)	4' (1.22 m) Min.	6' (1.82 m) Max.
F)	5' (1.52 m) Min.	7' (2.13 m) Max.
G)	6' (1.82 m) Min.	8' (2.44 m) Max.

With these options, maximum total pipe length is 30 feet (9.14 m) with minimum of 6 feet (1.82 m) total vertical and maximum 8 feet (2.44 m) total horizontal.  
**Please note minimum 1 foot (0.3 m) between 90° elbows is required.**

Restrictor Set #1 - 2" (51 mm) open. Lengths do not include elbows indicated.  
\*Required when using rigid venting.

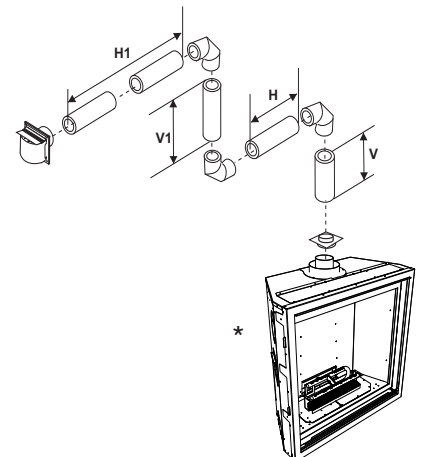


## Horizontal Terminations Three (3) 90° Elbows

One 90° elbow = Two 45° elbows.				
Option	V	H	V + V1	H + H1
A)	0' Min.	1' (0.3 m) Max.	1' (0.3 m) Min.	2' (0.61 m) Max.
B)	1' (0.3 m) Min.	2' (0.61 m) Max.	3' (0.91 m) Min.	3' (0.91 m) Max.
C)	2' (0.61 m) Min.	2' (0.61 m) Max.	5' (1.52 m) Min.	4' (1.22 m) Max.
D)	3' (0.91 m) Min.	2' (0.61 m) Max.	7' (2.13 m) Min.	5' (1.52 m) Max.
E)	4' (1.22 m) Min.	3' (0.91 m) Max.	9' (2.74 m) Min.	6' (1.82 m) Max.
F)	5' (1.52 m) Min.	4' (1.22 m) Max.	10' (3.04 m) Min.	7' (2.13 m) Max.
G)	6' (1.82 m) Min.	5' (1.52 m) Max.	11' (3.35 m) Min.	8' (2.44 m) Max.
H)	7' (2.13 m) Min.	6' (1.82 m) Max.	12' (3.66 m) Min.	9' (2.74 m) Max.

With these options, max. total pipe length is 30 feet (9.14 m) with min. of 12 feet (3.66 m) total vertical and max. 9 feet (2.79 m) total horizontal.  
**Please note min. 1 foot (0.3 m) between 90° elbows is required.**

Restrictor Set #1 - 2" (51 mm) open. Lengths do not include elbows included.  
\*Required when using rigid venting



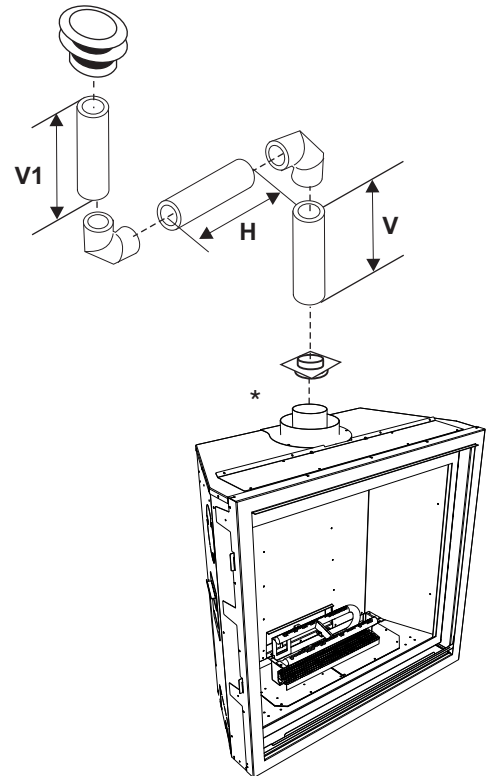
## Vertical Venting Two (2) 90° Elbows

<i>One 90° elbow = Two 45° elbows.</i>			
Option	V	H	V + V1
A)	0' Min.	2' (0.61 m) Max.	1' (0.3 m) Min.
B)	1' (0.3 m) Min.	4' (1.22 m) Max.	3' (0.91 m) Min.
C)	2' (0.61 m) Min.	5' (1.52 m) Max.	4' (1.22 m) Min.
D)	3' (0.91 m) Min.	6' (1.82 m) Max.	5' (1.52 m) Min.
E)	4' (1.22 m) Min.	7' (2.13 m) Max.	6' (1.82 m) Min.
F)	5' (1.52 m) Min.	8' (2.43 m) Max.	7' (2.13 m) Min.

With these options, maximum total pipe length is 30 feet (9.14 m) with minimum of 7 feet (2.13 m) total vertical and maximum 8 feet (2.44 m) total horizontal.

**Please note minimum 1 foot between 90° elbows is required.**

Restrictor Set #1 - 2" (51 mm) open  
Lengths do not include elbow indicated.  
**\*Required when using rigid venting**



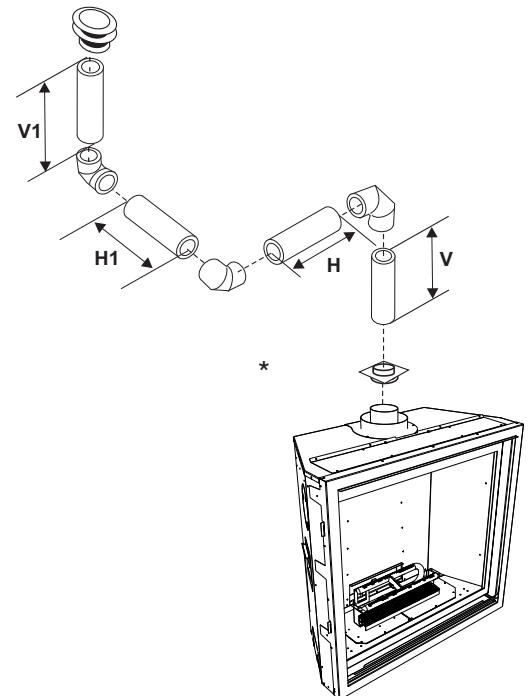
## Vertical Venting Three (3) 90° Elbows

<i>One 90° elbow = Two 45° elbows.</i>			
Option	V	H + H1	V + V1
A)	0' Min.	2' (0.61 m) Max.	2' (0.61 m) Min.
B)	1' (0.3 m) Min.	2' (0.61 m) Max.	3' (0.91 m) Min.
C)	2' (0.61 m) Min.	3' (0.91 m) Max.	4' (1.22 m) Min.
D)	3' (0.91 m) Min.	4' (1.22 m) Max.	6' (1.82 m) Min.
E)	4' (1.22 m) Min.	5' (1.52 m) Max.	7' (2.13 m) Min.
F)	5' (1.52 m) Min.	6' (1.82 m) Max.	8' (2.44 m) Min.
G)	6' (1.82 m) Min.	7' (2.13 m) Max.	9' (2.74 m) Min.
H)	7' (2.13 m) Min.	8' (2.44 m) Max.	10' (3.043 m) Min.

With these options, maximum total pipe length is 30 feet (9.14 m) with minimum of 10 feet (3.05 m) total vertical and maximum 8 feet (2.44 m) total horizontal.

**Please note minimum 1 foot between 90° elbows is required.**

Restrictor Set #1 - 2" (51 mm) open  
Lengths do not include elbow indicated.  
**\*Required when using rigid venting**



## Venting Arrangements With Co-linear Flex System Into a Masonry Chimney Application

**IMPORTANT:** As shown below, the unit can only be vented from the top, not from the rear.

**THE APPLIANCE MUST NOT BE CONNECTED TO A CHIMNEY FLUE SERVING A SEPARATE SOLID FUEL BURNING APPLIANCE.**

Masonry chimneys may take various contours which the flexible liner will accommodate. However, **keep the flexible liner as straight as possible**, avoid unnecessary bending.

The Air Intake pipe must be attached to the inlet air collar of the termination cap.

This appliance is designed to be attached to two 3" (76mm) co-linear aluminium flex running the full length of the chimney. See the Venting Arrangements on next page for minimum and maximum heights.

### Required Parts:

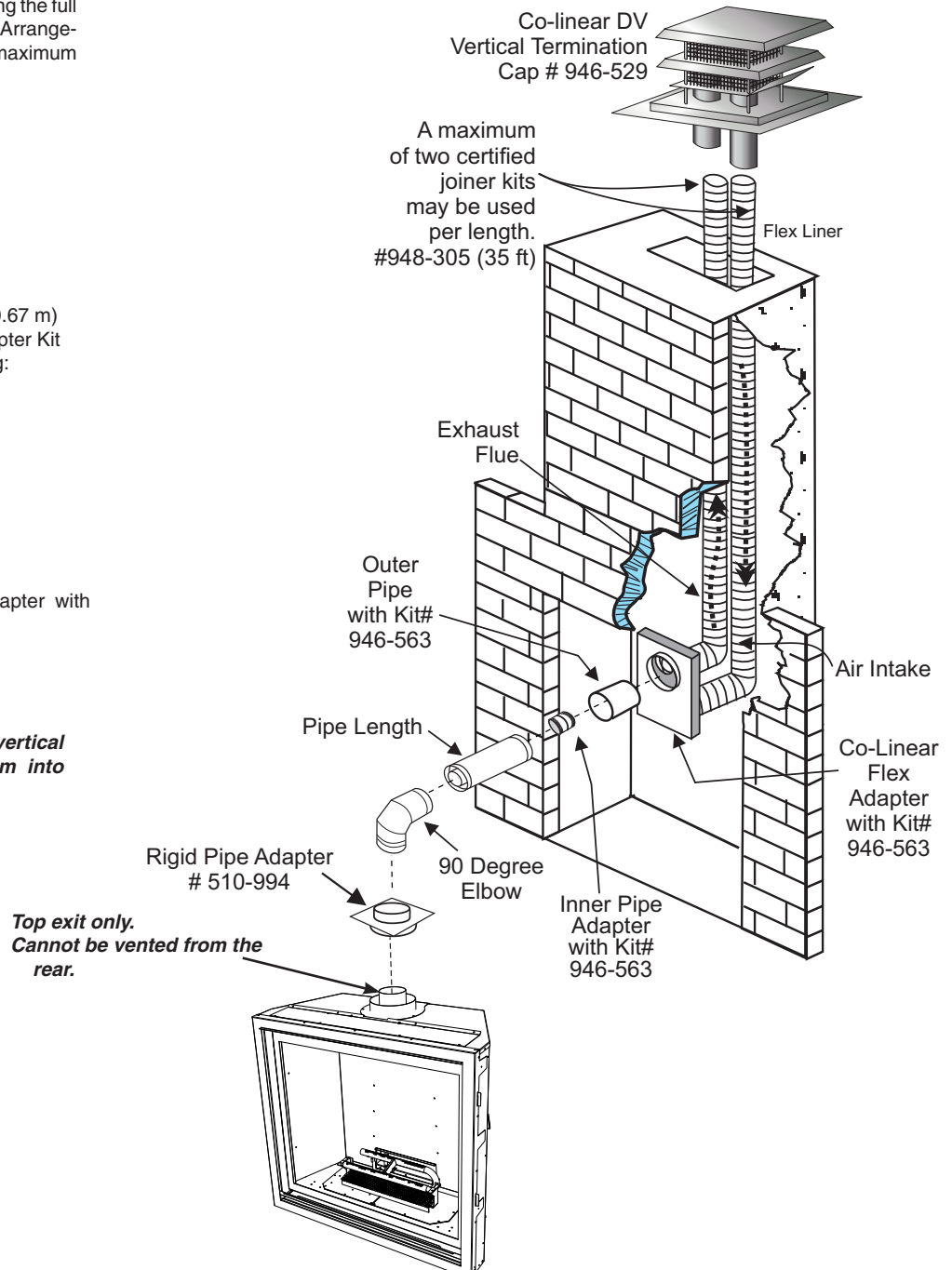
Part #	Description
946-529	Co-linear DV Vertical Termination Cap
948-305	3" (76 mm) Flex - 35 ft. (10.67 m)
946-563	Co-Axial to Co-Linear Adapter Kit which contains the following: Co-linear Flex Adapter Outer Pipe Inner Pipe Adapter

### Alternate Approved Caps

46dva-VC	Vertical Termination Cap
46dva-VCH	High Wind Cap
46dva-GK	3" (76 mm) Co-linear Adapter with flashing

### NOTE:

See detailed venting arrangements, vertical terminations, co-linear flex system into masonry fireplaces in this manual.



## Venting Arrangement - Vertical Terminations Co-linear Flex System Into Masonry Fireplaces

### FOR BOTH RESIDENTIAL & MANUFACTURED HOMES

IMPORTANT: As shown below, the unit can only be vented from the top, not from the rear.

Restrictor at Set #1 (2" open)

