







# UTTERMOST

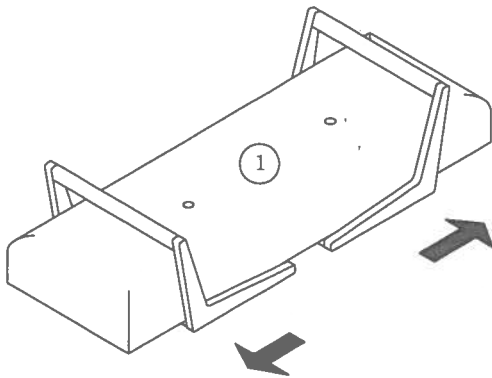
## ASSEMBLY INSTRUCTIONS

ITEM: 23592

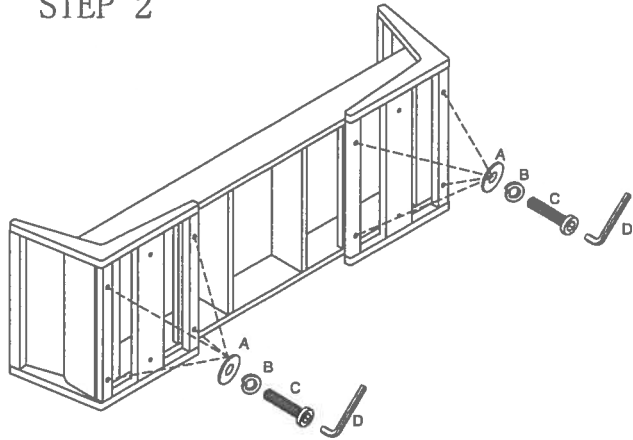
PARTS LIST							
NO	DRAWING	PARTS NAME	Q'TY	NO	PARTS NAME	DRAWING	Q'TY
A		FLAT WASHER 1/4"*5/8"	8PCS	1	SEAT FRAME		1PC
B		LOCK WASHER 1/4"	8PCS	2	LEG		4PCS
C		BOLTS DIA 1/4"*2"	8PCS				
D		ALLEN WRENCH 1/4"	1PC				

ASSEMBLY BOLTS MAY NEED TIGHTEND AFTER USE

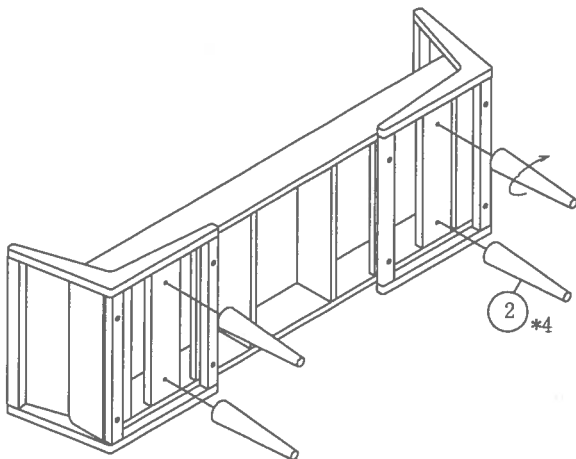
STEP 1



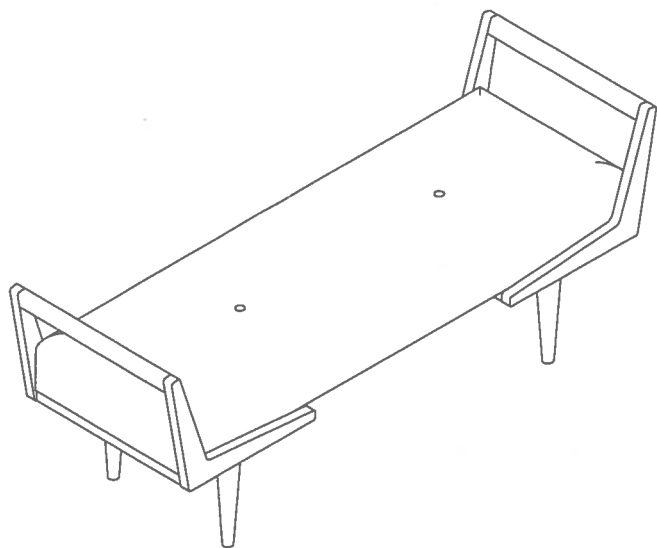
STEP 2



STEP 3



STEP 4



To avoid wobbly product , please follow below steps to assemble:

- 1) Attach the legs. Do not completely tighten the bolts that hold the legs.
- 2) Set the chair on the floor to level and then finish tightening the leg bolts.