

# PWLCL136S1

Wall-mount

**YALE**  
APPLIANCE

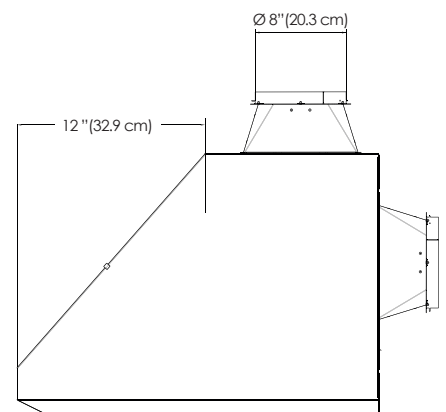
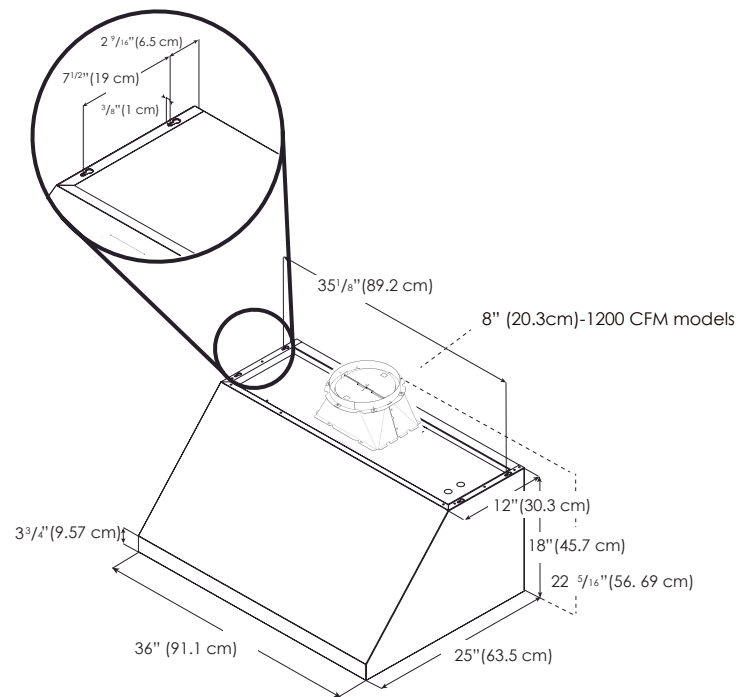


For homeowners who are passionate about the culinary arts, the seamless welded corner craftsmanship, traditional styling and gleaming stainless steel of this hood, provides the look and performance expected from a professional-grade range hood.

With the new backlit hidden knob controls and traditional baffle filters, it is available in 36" and equipped with a 1200 CFM to support all cooking needs. Designed for standard ducted ventilation only.

## MOUNTING HEIGHT RANGE

$\geq 24"$   $\geq 30"$



# PWLCL136S1

Wall-mount

**YALE**  
APPLIANCE

## SPECIFICATIONS

|  |   |
|--|---|
| <b>Width:</b>  | 36" Unit  |
| <b>Model:</b>  | PWLCL136S1  |
| <b>Dimensions:</b>                                       | 36"W x 25"D x 18"H  |
| <b>Blower Type(internal):**</b>                          | 1200 CFM(4-speed)   |
| <b>Noise (sones):**</b>                                  | 2 - 8.5 Sones   |
| <b>Finish:</b>   | Stainless Steel   |
| <b>Controls:</b>   | Fully Retractable Rotating Knobs with White Backlighting                                    |
| <b>Illumination:<br/>(replaceable lamps 1 intensity)</b> | 2 LED, 6.5 Watts 3000 KELVIN<br>540 LUMEN/Lamp  |
| <b>Grease Filter:</b>                                    | (2) Grease Collecting<br>Stainless Steel Baffle   |
| <b>Duct Transition:</b>                                  | 8" Round with Backdraft<br>Damper (top and rear)  |
| <b>Installation Type:</b>                                | Ducted or Recirculating with Kit  |
| <b>Mounting Height Range:</b>                            | Electric ≥ 24", Gas ≥ 30"   |
| <b>Electrical:</b>                                       | 120V - 60 Hz, 913 Watts   |
| <b>ACCESSORIES:</b>                                      |   |
| <b>Duct Cover Kit 6" (No grates)</b>                     | ACC02158  |
| <b>Duct Cover Kit 6" (With grates)</b>                   | ACC0204548 (Requires ACC0192765 Recirculation Filters)                                      |
| <b>Long Chimney Ext. 12"</b>                             | ACC02161  |
| <b>Heat Lamp w/2 175W bulbs:</b>                         | ACC0155107  |
| <b>Stainless Steel Backsplash:</b>                       | ACC0142867  |
| <b>External Blower Shell Kit:</b>                        | ACC0179547 (8" or 10" duct size compatible, only for 1200 CFM models)                       |
| <b>Inline Blower Shell Kit:</b>                          | ACC0179549(8" or 10" duct size compatible, only for 1200 CFM models)                        |
| <b>Recirculating kits:</b>                               |   |
| <b>Carbon filters:</b>                                   | ACC0192765 ( Contains 4 round carbon filters )  |
| <b>Metal Deflector:</b>                                  | ACC0192763 (8" round metal deflector for 1200 CFM models)                                   |
| <b>Transition Reducer Kit</b>                            | ACC0185271 (10" round down to 8" round - attaches to 10" round transition supplied w/ hood) |
| <b>WARRANTY:</b>   | Two (2) years parts & in-home labor   |

## FEATURES



**QUIET SYSTEM** - Specialized technology that allows reducing sound levels of your hood, which can effectively decrease noise by more than 35%.



**Grease Collecting Baffle Filters** - Intended for high airflow cooking, Their "S" shape design and Stainless Steel finish is crafted to capture significant amounts of grease.



**Thermal barrier** - The system detects extreme temperatures above 158 degrees and automatically increases the blower speed to HIGH.



**AIR FLOW CONTROL** - AFC technology enables the user to reduce the maximum blower CFM achieving <300 CFMs, to meet local code requirements.



**Fine precision** - Constructed with great attention to detail with High-quality stainless steel, result in a seamless and flawless finish.



**Superior performance** - High performance ventilation with blowers ranging from 600 to 1200 CFM.

## AIRFLOW CONTROL

Air Flow Control technology enables the user to reduce the maximum blower CFM of your hood achieving <300 CFMs, to meet local code requirements.

This model includes an Electronic Bypass Kit that needs to be placed at the moment of installing.

**ADA**  
COMPLIANT

**AHAM**  
VERIFIDE



\* The product images shown are for illustration purposes only and may not be an exact representation of the product.

\*\* CFM and Noise data indicate the performance of the hood blower tested according to international standards. For AHAM Certified Ratings, established in accordance with California Title 24 Standardized test procedure, please refer to AHAM Certified Product Directory. Electric Ratings are declared according to UL.