

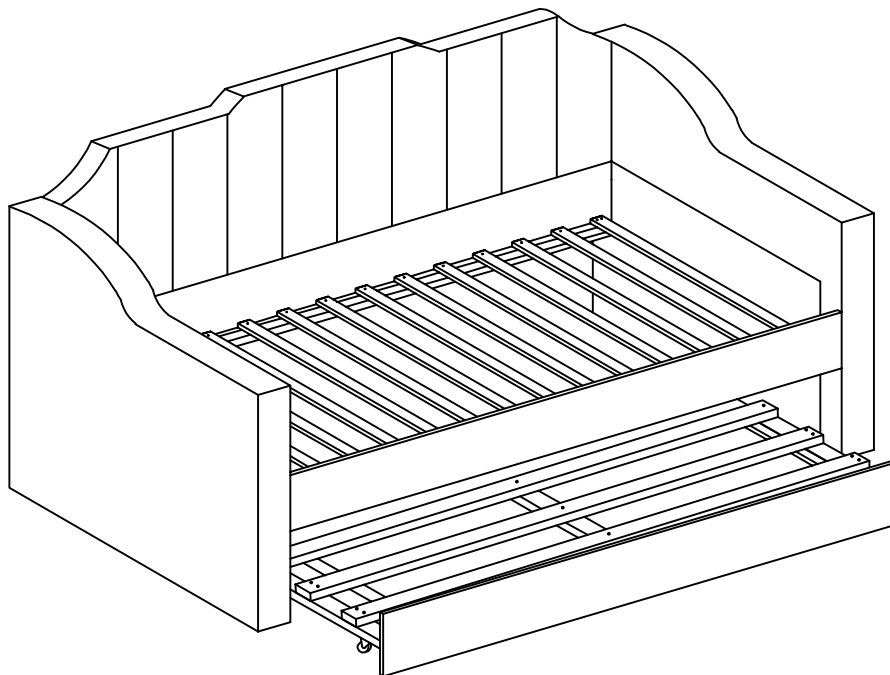
ASSEMBLY INSTRUCTIONS

MODEL #

CM1931

Questions?

GIVE US A CALL: 1-888-980-5122
MON – FRI 8:30AM – 5:30PM (PT)

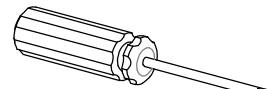


TOOLS REQUIRED



Allen Wrench

(Included)



Phillips Screwdriver

(Not Included)



**2 - People
Recommended**

ASSEMBLY RATING



EASY → DIFFICULT

The Assembly Rating is a 5-point system showing the level of effort needed to assemble a specific product.




FOA Intro

Thank you for your purchase!


We hope you enjoy this new addition to your home for many years to come.

Our commitment to providing quality products does not simply end when you purchase our product. We fully stand behind our products from start to finish. Our customer service department is available Monday – Friday 8:30 AM – 5:30 PM Pacific Time and can help with assembly questions as well as, if necessary, replacing damaged or missing parts. To help expedite our service, please have these assembly instructions readily available, along with your order receipt.

 **Consumer Hotline**
Toll-Free 1-888-980-5122

 **WEBSITE**
www.foagroup.com

    foagroup

 **Monday to Friday**
8:30AM- 5:30PM (PT)

 **E-MAIL**
cs.ec@foagroup.com

 FurnitureOfAmerica

CHECK BEFORE STARTING

Are you missing anything?
Double-check all parts, hardware and accessories listed are all accounted for.

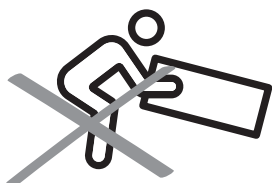
Should we send any replacements?
Are there any irregularities or flaws in the parts? We can send replacements!

Check out our Quick Tips!
We recommend reviewing the pre-assembly handouts. Even experts need a refresher now and then!

Prep Time!
Please review the assembly instructions and all diagrams prior to assembling.

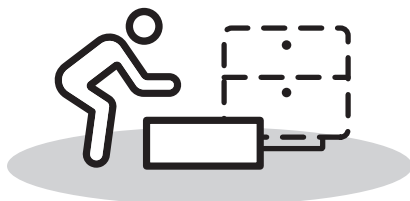
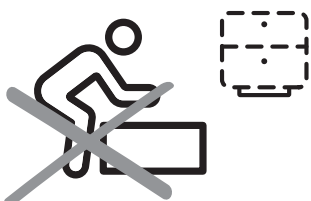
PRE ASSEMBLY INTRODUCTION

We understand building ready-to-assemble furniture can be a challenging experience for some. To help avoid confusion, we have provided some helpful tips that may speed up the process.



Teamwork

ALWAYS have at least two people to help with transporting and assembling the product to avoid potential injury and/or damage.



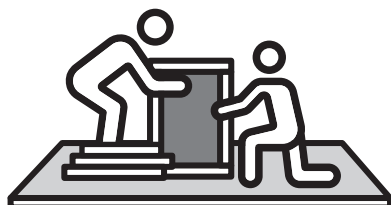
Suitable Location

Assembling near the area of the intended location is highly recommended.



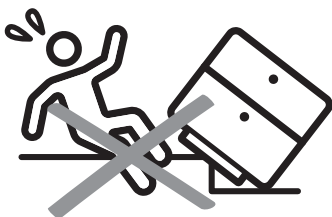
Sufficient Space

Make sure you have enough space to move around during the assembly.



Avoid Scratches

Use cardboard, blankets or a carpeted area while assembling furniture to prevent to prevent scratches and damages.



Flat Surface

Make sure the furniture rests on a flat and level surface with each leg evenly touching the floor.

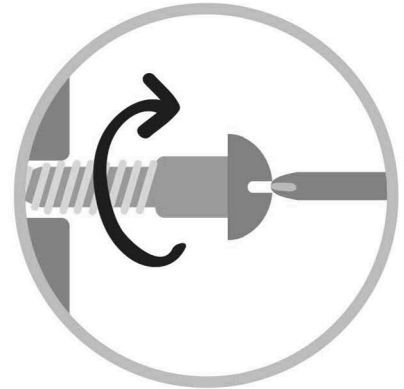
ASSEMBLY AND CARE ADVICE



FAILURE TO FOLLOW THE GUIDELINES BELOW MAY RESULT IN INJURY AND/OR PROPERTY DAMAGE.



Position each part correctly and insert screws or bolts into their respective holes.



Turn clockwise to tighten and only tighten when step is completed or when instructed to do so.



Use the appropriate hand tools or power tools for assembly. Select steps, such as tightening screws and/or bolts, may require hand tools to avoid causing damage during assembly.



Save the instructions and store any supplied tools for later maintenance.



After two weeks, check and tighten any loose hardware and repeat again every six months thereafter.

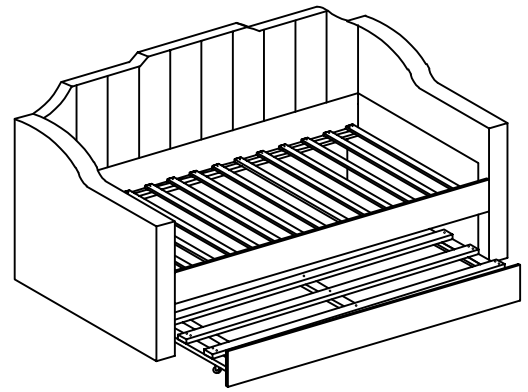
IT IS THE USER'S RESPONSIBILITY TO MAINTAIN THE FURNITURE. THE HARDWARE MAY LOOSEN OVER TIME AND MAY CAUSE THE FURNITURE TO BE WOBBLY AND UNABLE TO SUPPORT ITS INTENDED WEIGHT CAPACITY. THIS MAY LEAD TO COLLAPSE AND MAY CAUSE SERIOUS INJURY.

DAYBED

CM1931

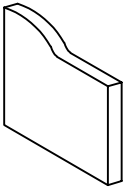


- Please keep instructions for future reference.
- Check the quantity and irregularity of parts and hardware before you start.



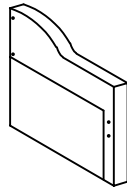
PARTS

#1 x 1pc



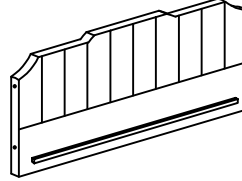
Arm

#2 x 1pc



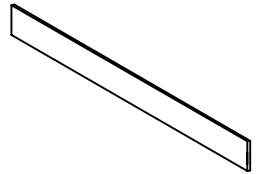
Arm

#3 x 1pc



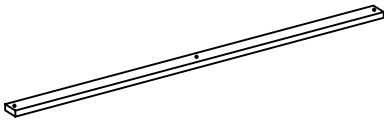
Back Rest

#4 x 1pc



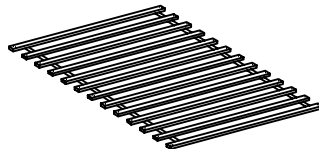
Front Side Rail

#5 x 3pcs



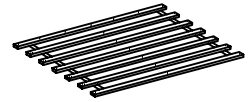
Center Slat
997 x 45 x 18mm

#6 x 13pcs



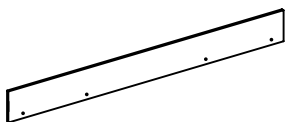
Bed Slat
997 x 45 x 18mm

#7 x 7pcs



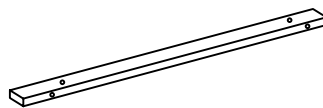
Bed Slat
1898 x 45 x 18mm

#8 x 1pc



Trundle Front
Panel

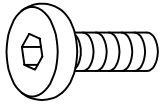
#9 x 2pcs



Trundle Front
Panel Support Rail
760 x 30 x 30mm

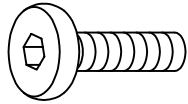
HARDWARE

#A x 4pcs



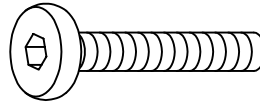
JCBB M8x20mm

#B x 17pcs



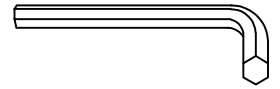
JCBC M6x35mm

#C x 4pcs



JCBC M6x50mm

#D x 1pc



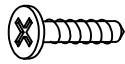
Allen Wrench
M4 x 65mm

#E x 1pc



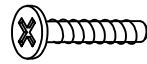
Allen Wrench
M5 x 70mm

#F x 24pcs



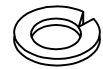
CSK Screw 16mm

#G x 52pcs



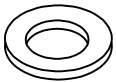
CSK Screw 32mm

#H x 21pcs



M6 Spring Washer

#I x 21pcs



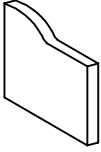
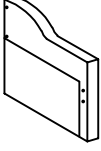
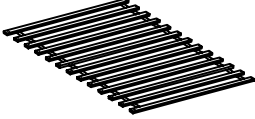
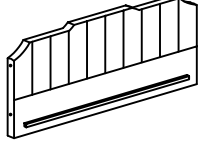






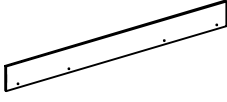



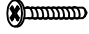



M6 Flat Washer

#J x 6pcs



Roller

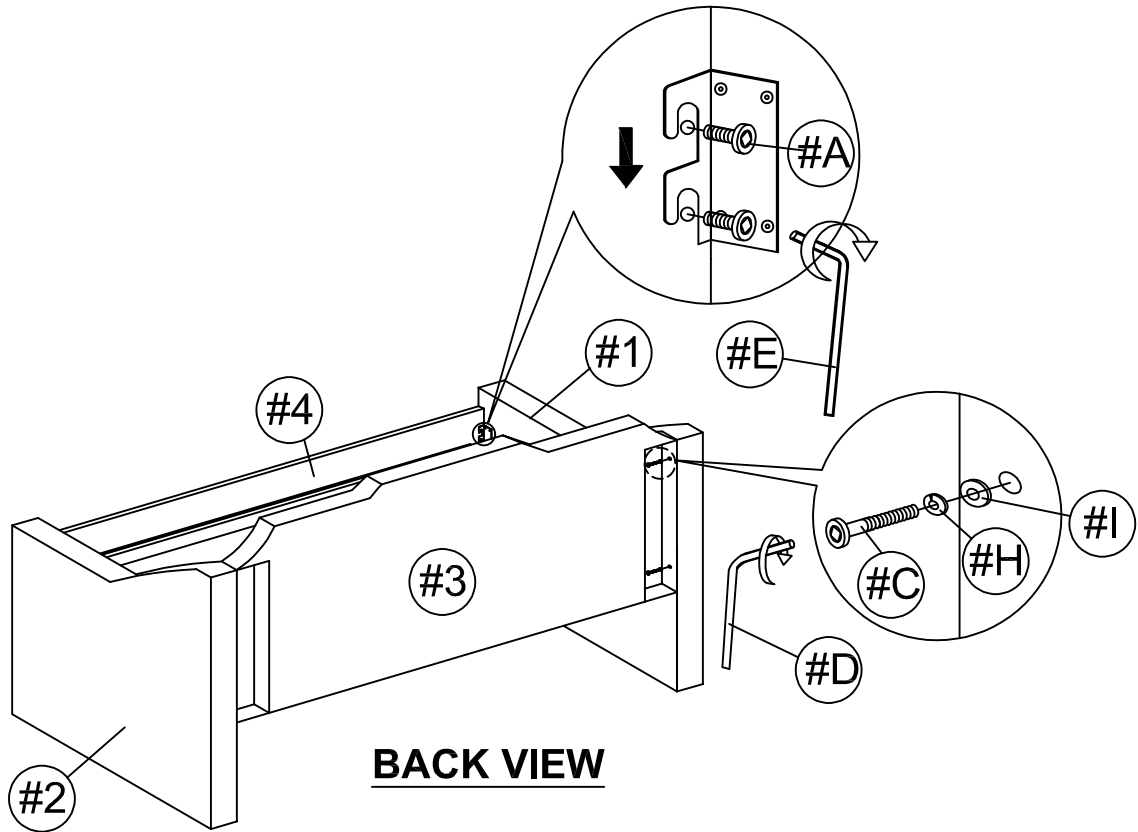
CM1931 POINT 2 CARTONS

Carton	Designation	Part	Hardware
CM1931-1	Arm	#1 	
	Arm	#2 	
	Bed Slat	#6 	
CM1931-2	Back Rest	#3 	
	Front Side Rail	#4 	 #A x 4pcs
	Center Slat	#5 	 #B x 17pcs
	Bed Slat	#7 	 #C x 4pcs
			 #D x 1pc
	Trundle Front Panel	#8 	 #E x 1pc
			 #F x 24pcs
	Trundle Front Panel Support Rail	#9 	 #G x 52pcs
			 #H x 21pcs
		 #I x 21pcs	
		 #J x 6pcs	

ASSEMBLY INSTRUCTIONS

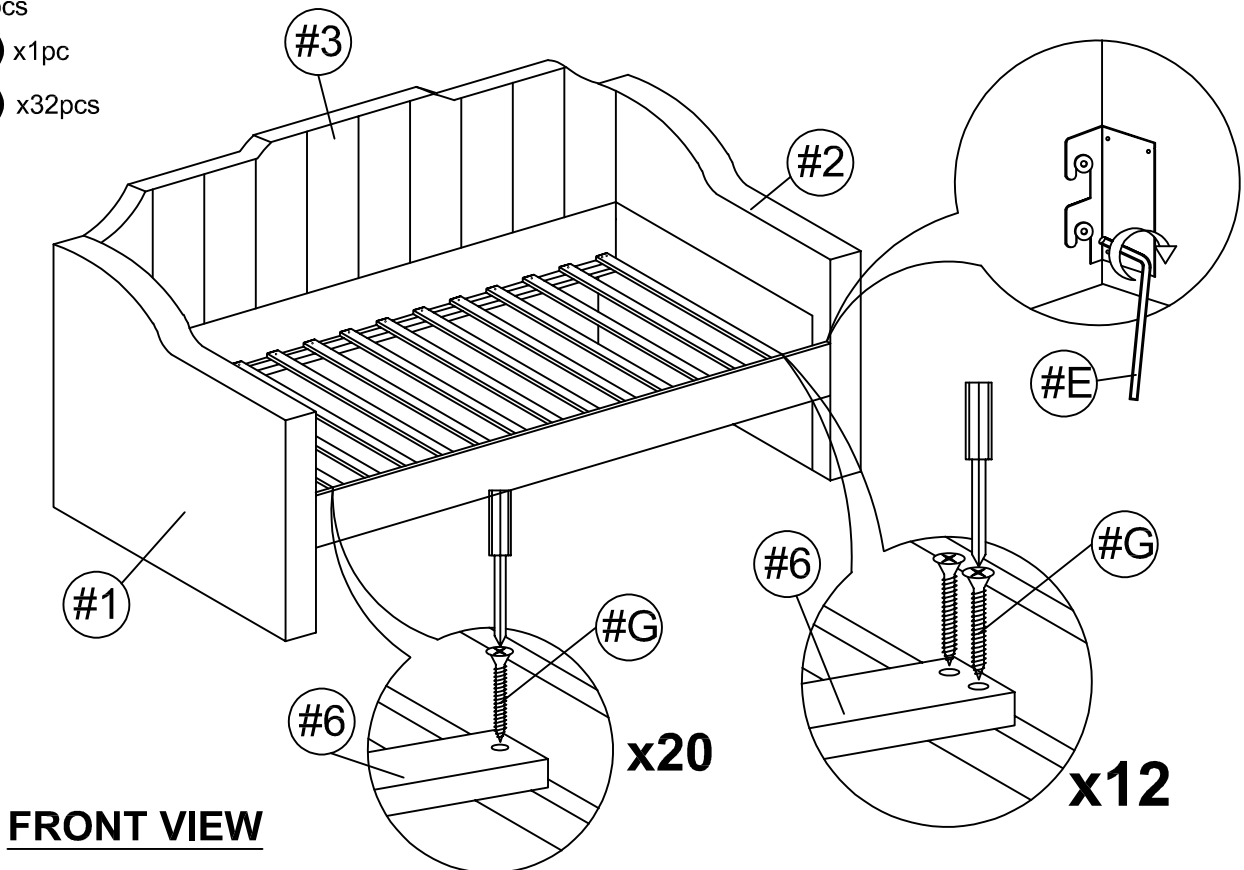
1

- Part #1 x1pc
- Part #2 x1pc
- Part #3 x1pc
- Part #4 x1pc
- Hardware #A x4pcs
- Hardware #C x4pcs
- Hardware #D x1pc
- Hardware #E x1pc
- Hardware #H x4pcs
- Hardware #I x4pcs



2

- Part #6 x13pcs
- Hardware #E x1pc
- Hardware #G x32pcs



ASSEMBLY INSTRUCTIONS

3

Part #5 x3pcs

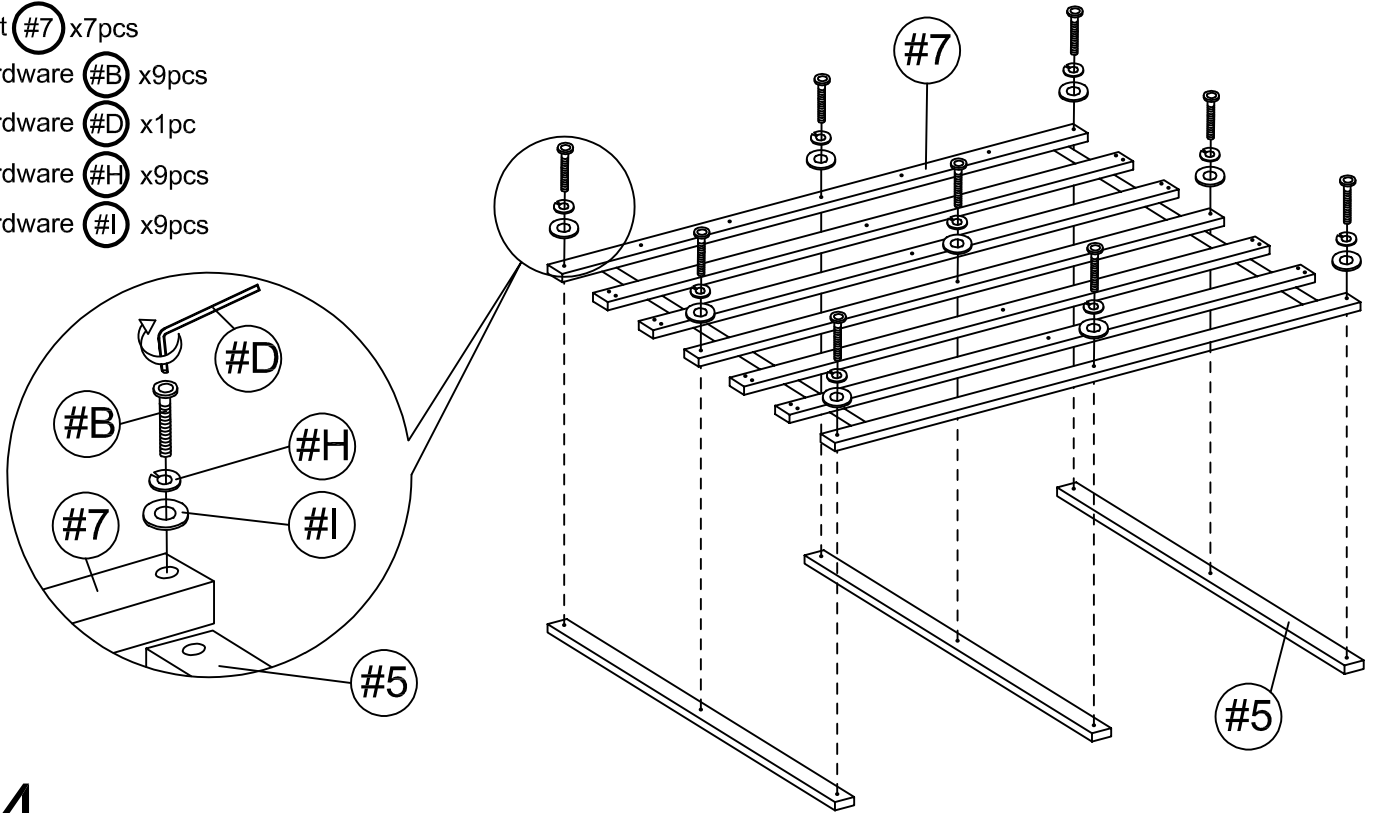
Part #7 x7pcs

Hardware #B x9pcs

Hardware #D x1pc

Hardware #H x9pcs

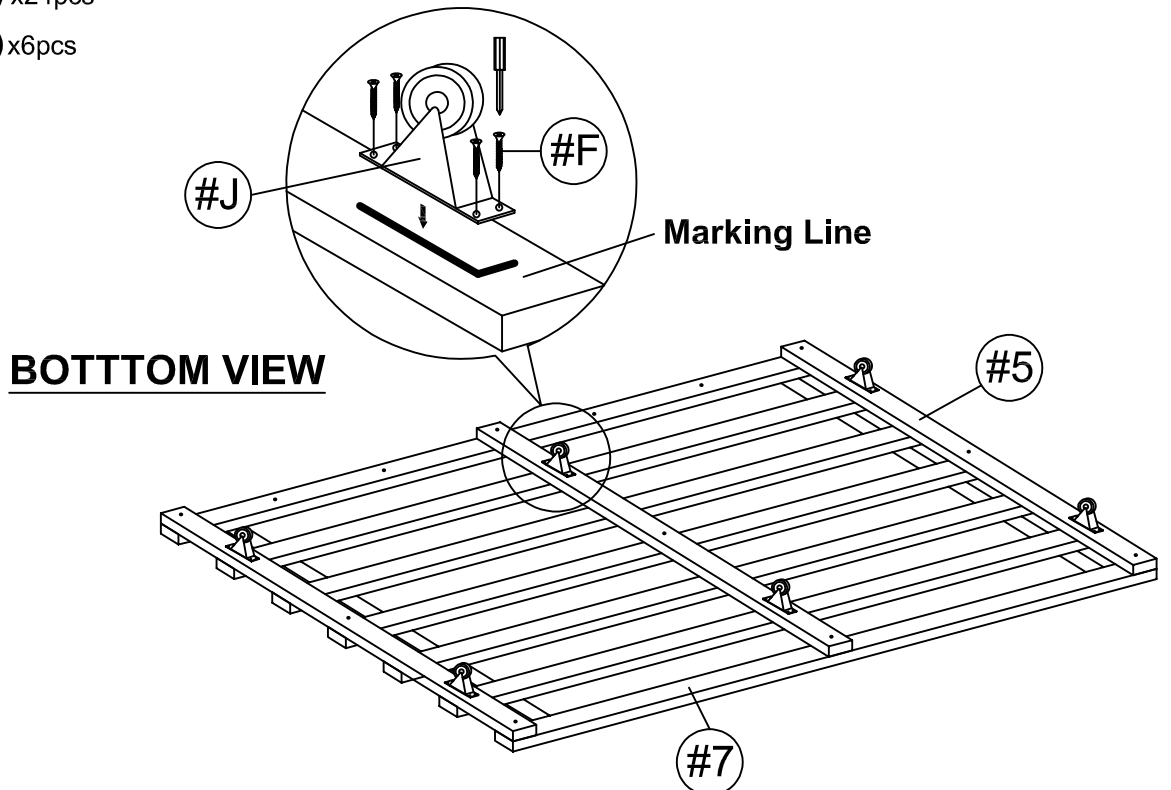
Hardware #I x9pcs



4

Hardware #F x24pcs

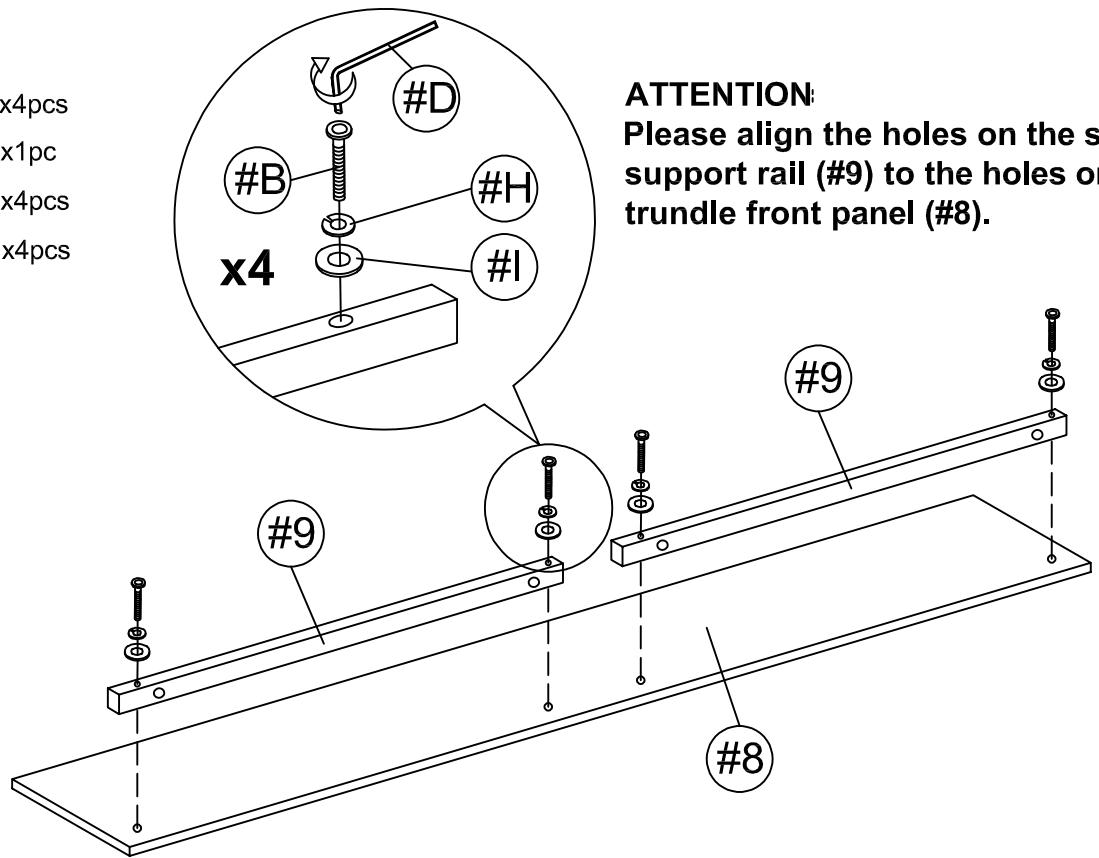
Hardware #J x6pcs



ASSEMBLY INSTRUCTIONS

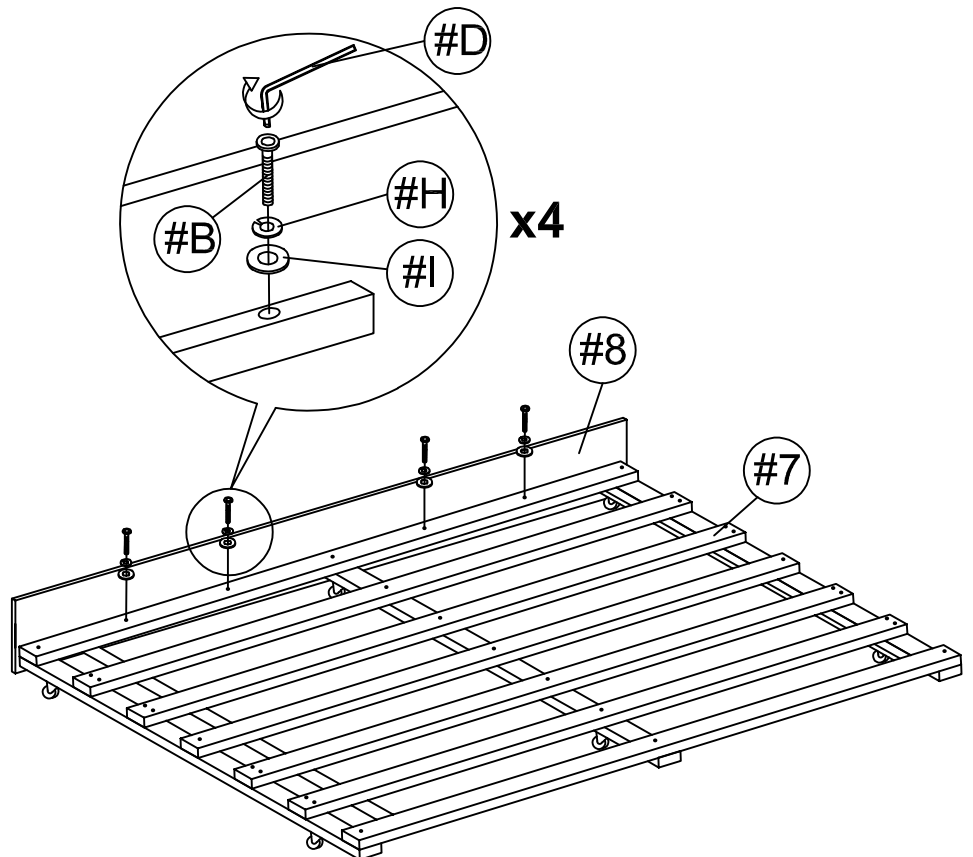
5

- Part (#8) x1pc
- Part (#9) x2pcs
- Hardware (#B) x4pcs
- Hardware (#D) x1pc
- Hardware (#H) x4pcs
- Hardware (#I) x4pcs



6

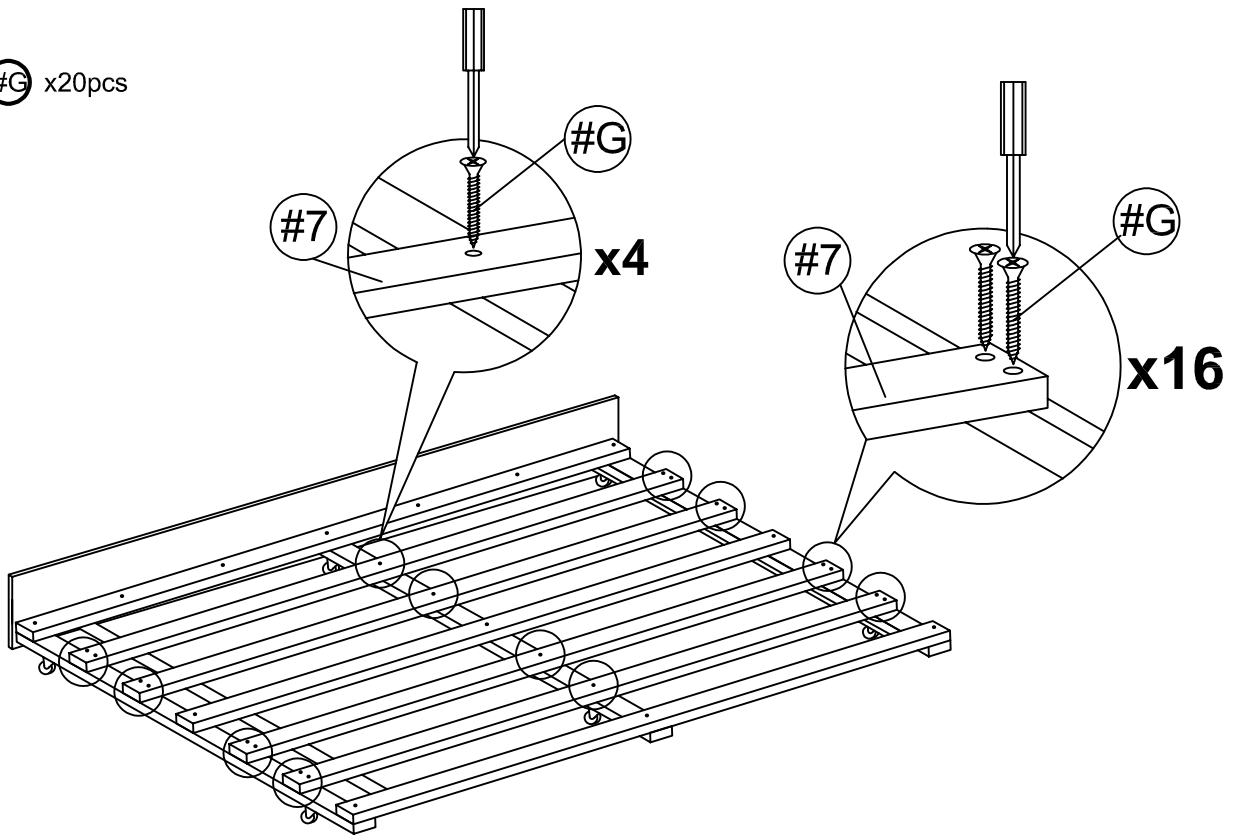
- Hardware (#B) x4pcs
- Hardware (#D) x1pc
- Hardware (#H) x4pcs
- Hardware (#I) x4pcs



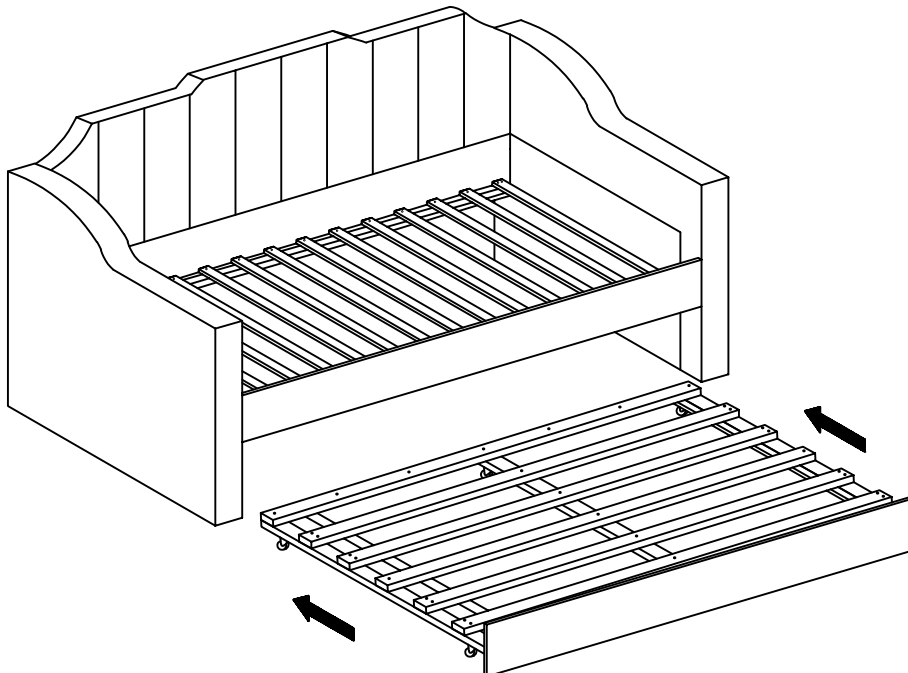
ASSEMBLY INSTRUCTIONS

7

Hardware  x20pcs



8



ASSEMBLY COMPLETED



Please ensure the furniture rests on an even and flat surface. If the product wobbles or feels loose, double-check all bolts and/or screws are properly tightened and secured.



Keep this handy!

Please retain this instruction manual and any order-related information for future reference.



Lift, don't drag!

To avoid damage to product please always LIFT the product when transporting or adjusting the placement.