

SONANCE

PROFESSIONAL SERIES SURFACE MOUNT MKII QUICKSTART GUIDE

BOX CONTENTS

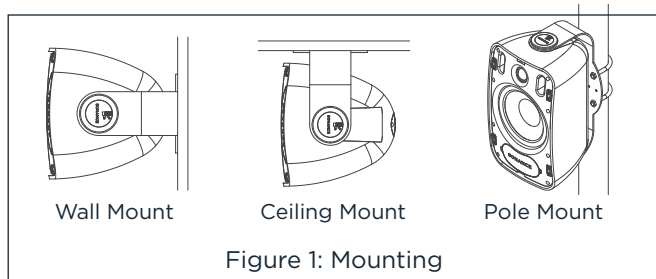
- (1) PS-S43T MKII, or PS-S53T MKII, or PS-S63T MKII, PS-S83T MKII, or PS-S83WT MKII
- (1) Speaker Grille
- (1) FastMount Bracket
- (1) Wiring Terminal Cover
- (1) Speaker Connector

WALL/CEILING MOUNTING

It is important that the bracket is securely mounted onto a structurally sound surface. Four screws points must be used at all times. A screw size of #14 to #20 diameter x 2" length or M6 to M8 diameter x 50mm length is recommended. When mounting onto drywall or plasterboard, the bracket should be affixed to a joist or stud. When mounting onto brick or concrete, wall plugs or concrete anchors should be used. Install a safety cable from one of the 1/4-20 UNC threaded holes on the back of the speaker to a secure location on the adjoining mounting surface (hardware not included).

POLE MOUNTING

To mount the speaker on a pole, two U-bolts and nuts should be used to clamp around the pole and bolt through the four holes on the back of the FastMount bracket. Spring washers or blue thread lock are recommended to ensure the nuts do not work loose through the vibration of the speaker.



PIVOTING THE SPEAKERS

You can rotate the speaker in the bracket to direct the sound towards the listeners.

1. Unlock the slide locks on the speaker pivots by moving them towards the rear of the speaker.
2. Rotate the speakers to the desired position.
3. Lock the slide locks by moving them towards the front of the speaker.

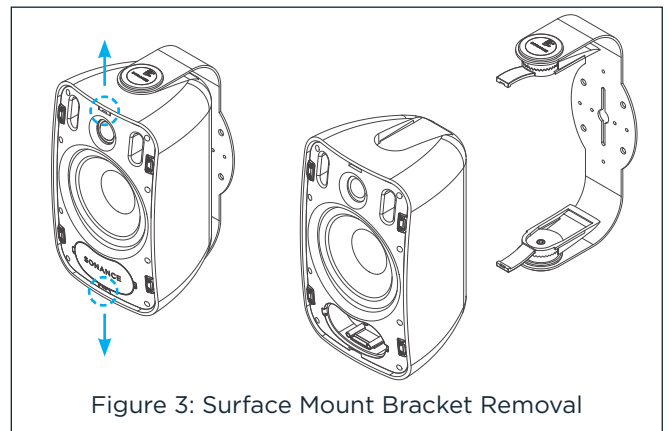
INSTALLING THE SPEAKERS

Place the left and right speakers at ear level, 6-10ft apart. The speakers should be facing the listening area. If you are mounting the speakers above or below ear level, pivot them up or down to direct the sound towards the listeners.

Bracket Carrying Capacity		
MODEL	KGS	POUNDS
PS-S43T	2.81	6.19
PS-S53T	3.63	8.00
PS-S63T	4.88	10.76
PS-S83T / PS-S83WT	7.02	15.48

Figure 2: Bracket Carrying Capacity

1. Remove the speaker from the mounting bracket by pulling the tabs on the front panel outward and away from each other (see Figure 3).



2. Run the speaker wires from the amplifier to the speaker location and through the holes in the mounting bracket.

NOTE: BE SURE TO LEAVE ENOUGH WIRE AT THE SPEAKER LOCATION TO FEED THROUGH THE TUNNEL IN THE SPEAKER ENCLOSURE AND WIRE TO THE EUROBLOCK CONNECTOR ON THE FRONT.

3. Attach the mounting bracket to the mounting surface using hardware (not included) that is appropriate for the type of surface.
 4. If the installation requires that the speaker be mounted on a pole you can attach the bracket to poles using 2.5" U-bolts (not included).
 5. Feed the speaker wire from the bracket into the wire entry grommet on the back of the speaker, through the wire tunnel and out the opening on the speaker's front panel (see Figure 4).
- The grommet forms a water-resistant seal around the speaker wire.
 - Make sure there is enough slack in the wire to allow the speaker to pivot on the bracket.

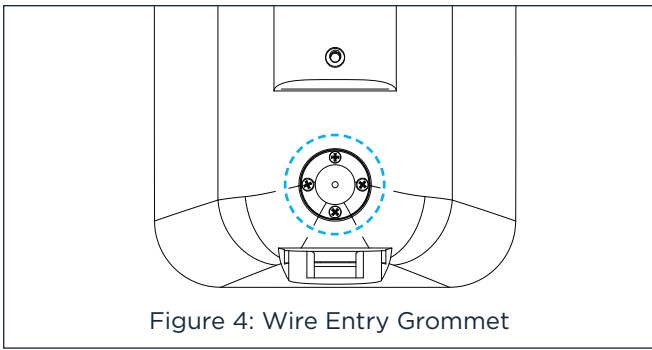


Figure 4: Wire Entry Grommet

- Slide the speaker onto the bracket until the locks snap into place (see Figure 5). Pull enough wire through the front of the speaker to allow connection to the terminals.

NOTE: BE SURE THAT THE BRACKET CLIPS SNAP COMPLETELY INTO PLACE TO PREVENT ANY BLOCKAGE. PULL ON THE FRONT OF THE CABINET TO ENSURE THE CLIPS ARE FULLY SEATED AND THAT THE BRACKET IS SECURE.

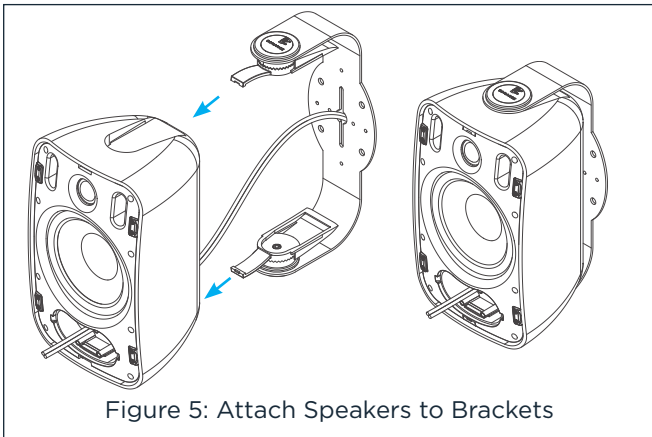


Figure 5: Attach Speakers to Brackets

- Connect the wires from your amplifier to the input connector. Strip approximately 0.1875" (5mm) of the insulation off each wire. Insert the wire into the correct square opening on the connector. Tighten the corresponding screw to secure the wire. When using multiple speakers you can connect the speakers either in parallel or in the loop through method as shown (see Figure 6 and 7).

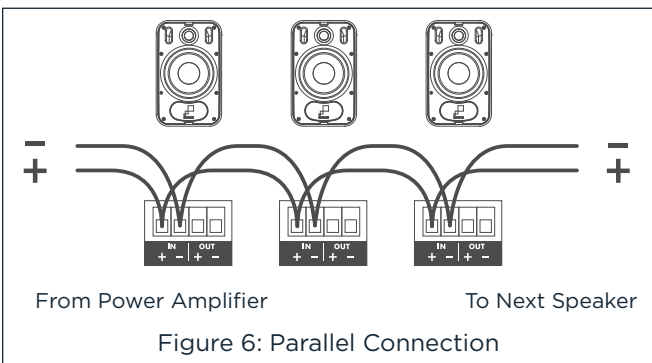


Figure 6: Parallel Connection

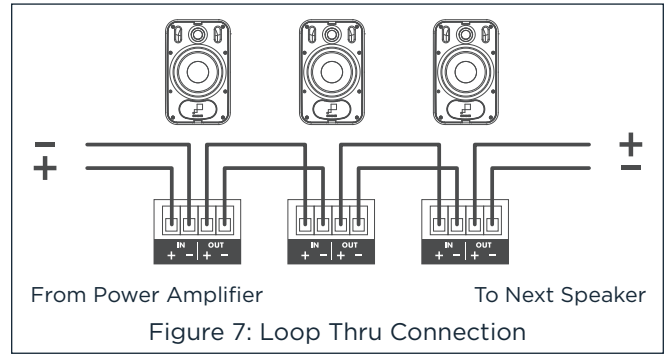
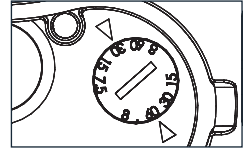


Figure 7: Loop Thru Connection

- Determine the proper wattage setting for each speaker in the installation and set each speaker's transformer tap selector.



TRANSFORMER TAP SWITCH

- Speakers are to be installed in sensitive areas and need to be "tapped down" for lower volume
- More speakers are needed to be added to a 70V/100V amplifier already operating at full capacity
- A small zone is to be driven by an 8 ohm amplifier

8 OHM TAP SETTINGS

Aligning the values on the dial with the arrow indicators on either side to the "8 ohm" setting is effective for 8 ohm amplifier connections.

70V TAP SETTINGS

Align the arrow positioned with the 70V values to the desired wattage setting. Turning the dial one click stop in either direction increases or decreases the speaker's input power.

100V TAP SETTINGS

Align the arrow positioned with the 100V values to the desired wattage setting. Turning the dial one click stop in either direction increases or decreases the speaker's input power.

FITTING THE TERMINAL COVER

Fit the wiring terminal cover into the recess in the speaker's front panel (see Figure 8). The cover should fit tightly, but can be removed and replaced if the speaker need to be disconnected.

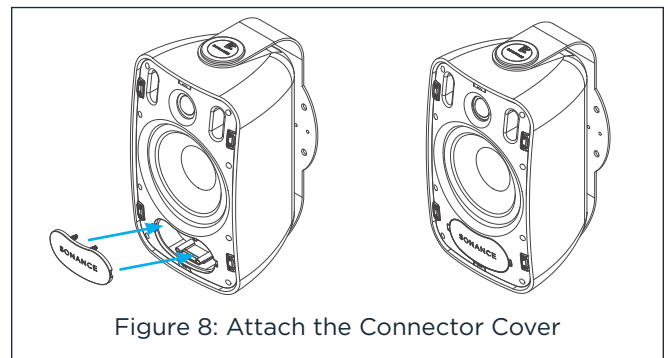


Figure 8: Attach the Connector Cover



For warranty information and detailed installation support, access the full manual here. For technical support call 949.492.7777 or visit www.sonance.com

©2025 Sonance. All rights reserved. Sonance is a registered trademark of Dana Innovations. Due to continuous product improvement, all features and specifications are subject to change without notice. For the latest Sonance product specification information visit our website: www.sonance.com

SONANCE • 991 Calle Amanecer • San Clemente, CA 92673 • (949) 492-7777
 UK IMPORTER • Habitech Ltd. • The London Centre • Wade Road, Basingstoke, Hampshire, RG24 8FL 01.17.2025