



## TOP MOUNT REFRIGERATOR

### MODELS:

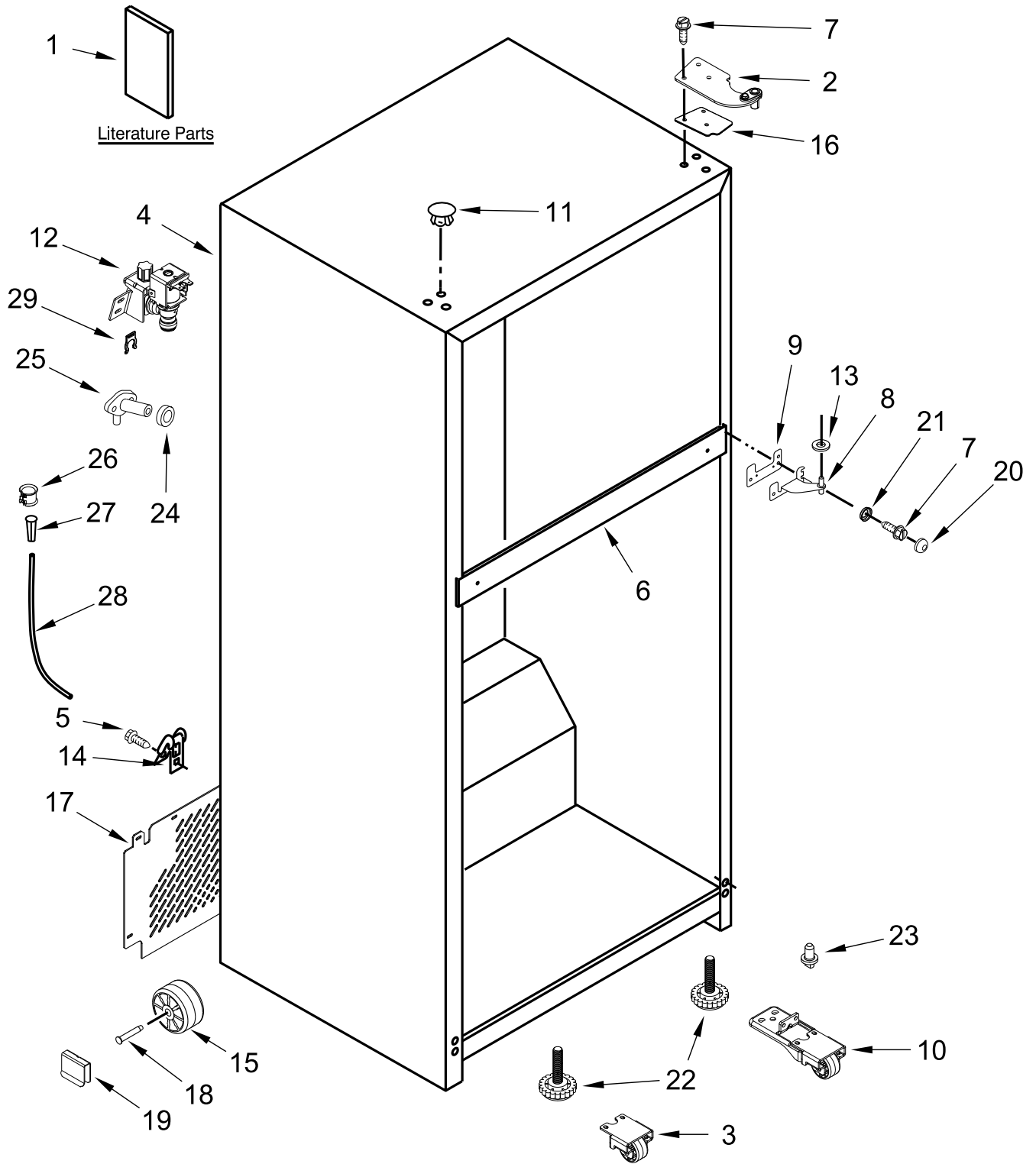
WRT519SZDW09 (White)

WRT519SZDB09 (Black)

WRT519SZDT09 (Biscuit)

WRT519SZDM09 (Monochromatic Stainless Steel)

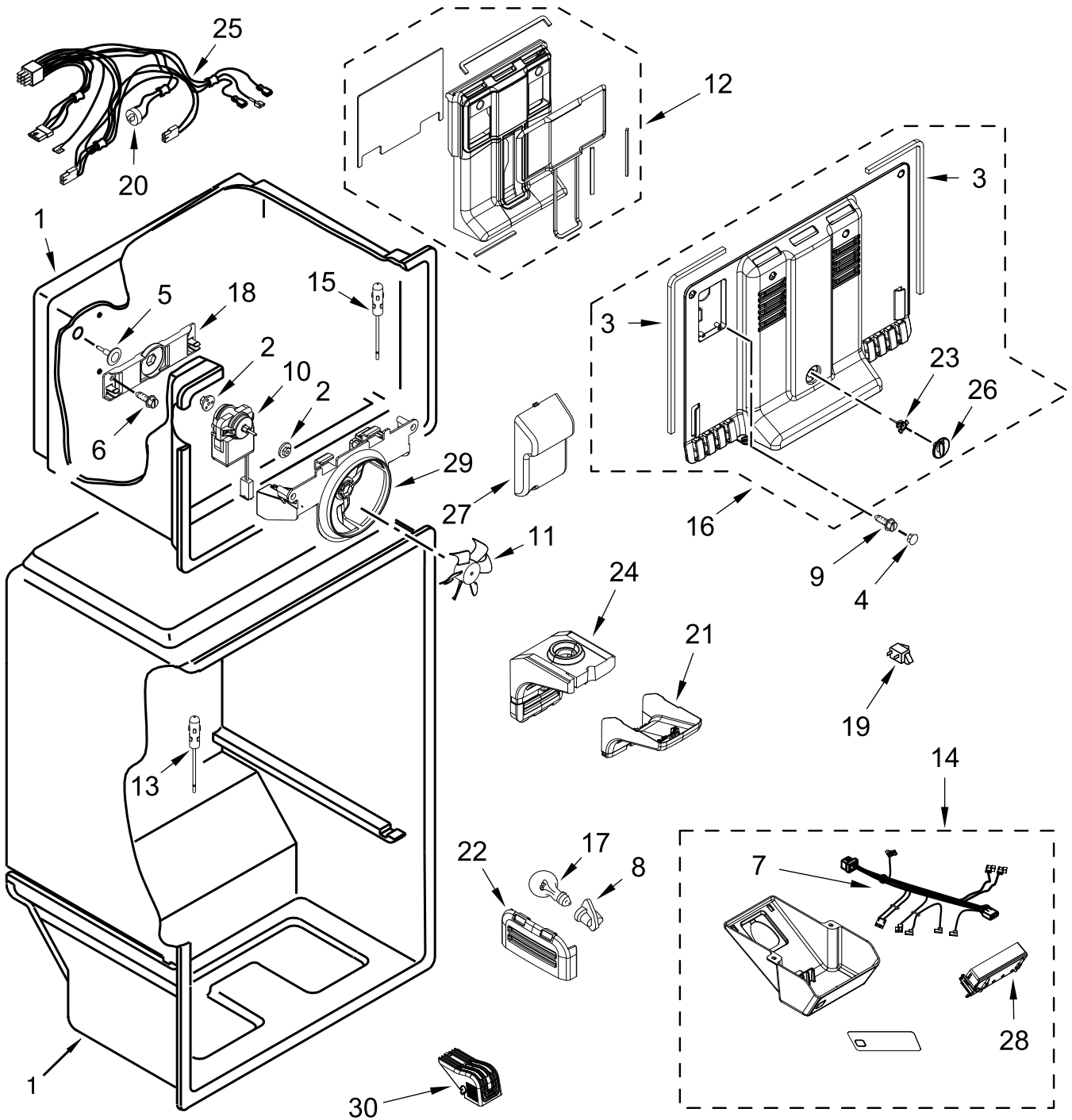
# CABINET PARTS



# CABINET PARTS

<u>Illus.</u> <u>No.</u>	<u>Part No.</u>	<u>Description</u>	<u>Illus.</u> <u>No.</u>	<u>Part No.</u>	<u>Description</u>	<u>Illus.</u> <u>No.</u>	<u>Part No.</u>	<u>Description</u>
1		Literature Parts	10	W10843861	Lower Hinge and Roller Assembly	19	2174706	Clip, Roller
	W11511780	Tech Sheet				20		Cap, Dome
	W11507956	Use and Care Guide	11		Plug, Hole		W10674771	White
	W11095248	Energy Guide		W10520304	White		W10679135	Black
2	W10300065	Assembly, Top Right Hinge		W10520305	Black		W10679138	Biscuit
				W10520306	Biscuit		W10679139	Grey
3	W10842654	Assembly, Roller		W10520307	Grey	21	W10674773	Cap, Washer Dome
4		Cabinet (Not Serviced)	12	W10498995	Valve, Inlet	22	W10671258	Leveler
5	489442	Screw	13	489341	Washer, Plastic	23	W10638688	Hinge Pin
6		Rail, Center (Not Serviced)	14	W11242280	Clamp, Power Cord	24	1106508	Gasket, Seal
7	489497	Screw	15	W10475495	Roller	25	W11249272	Fitting, Water Tube
8	2254618	Hinge, Center	16	W10883637	Shim, Top Hinge	26	W10329003	Clamp, Tube
9	2183852	Shim, Hinge Center	17	W11307288	Cover, Unit	27	2181939	Insert, Tube
			18	981126	Axle, Roller	28	2181944	Tube, Water
						29	W11175632	Locking Ring (1/4)

# LINER PARTS

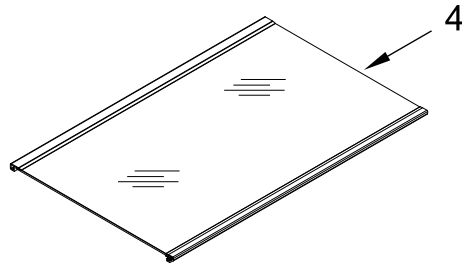


# LINER PARTS

<u>Illus. No.</u>	<u>Part No.</u>	<u>Description</u>	<u>Illus. No.</u>	<u>Part No.</u>	<u>Description</u>	<u>Illus. No.</u>	<u>Part No.</u>	<u>Description</u>
1		Liner (Not Serviced)	11	2163777	Fan Blade	21	W10705209	Cover, Air Diffuser
2	2197380	Grommet	12	W10676682	Assembly, Evaporator Plenum	22	W10638176	Cup, Air Diffuser
3	W10709194	Gasket, Evaporator Cover	13	W11108173	Thermistor, Refrigerator	23	W10570951	Baffle, Air Manual
4	W10487421	Cover, Screw	14	W11476572	Assembly, Box Control	24	W10633587	Assembly, Air Diffuser
5		Hole Plug	15	W10384183	Thermistor	25	W11314499	Assembly, Evaporator Fan Wire (Includes Thermal Fuse)
	941839	White	16	W11510096	Cover, Evaporator	26	W10570952	Knob, Air Control
6	488208	Screw	17	W11125625	Lamp, LED	27	W11341625	Cover, Water Tube
7	W11203360	Wire Assembly, Control Box	18	2254454	Bracket, Evaporator Fan Rear	28	W11476561	Control, Electronic
8	2162085	Socket, Light	19	W10847853	Switch, Light	29	W10321162	Bracket, Fan Motor
9	8281232	Screw	20		Bi-Metal Defrost (Not Serviced)	30	W11242281	Cover, Light
10	2315539	Motor, Evaporator Fan						

# SHELF PARTS

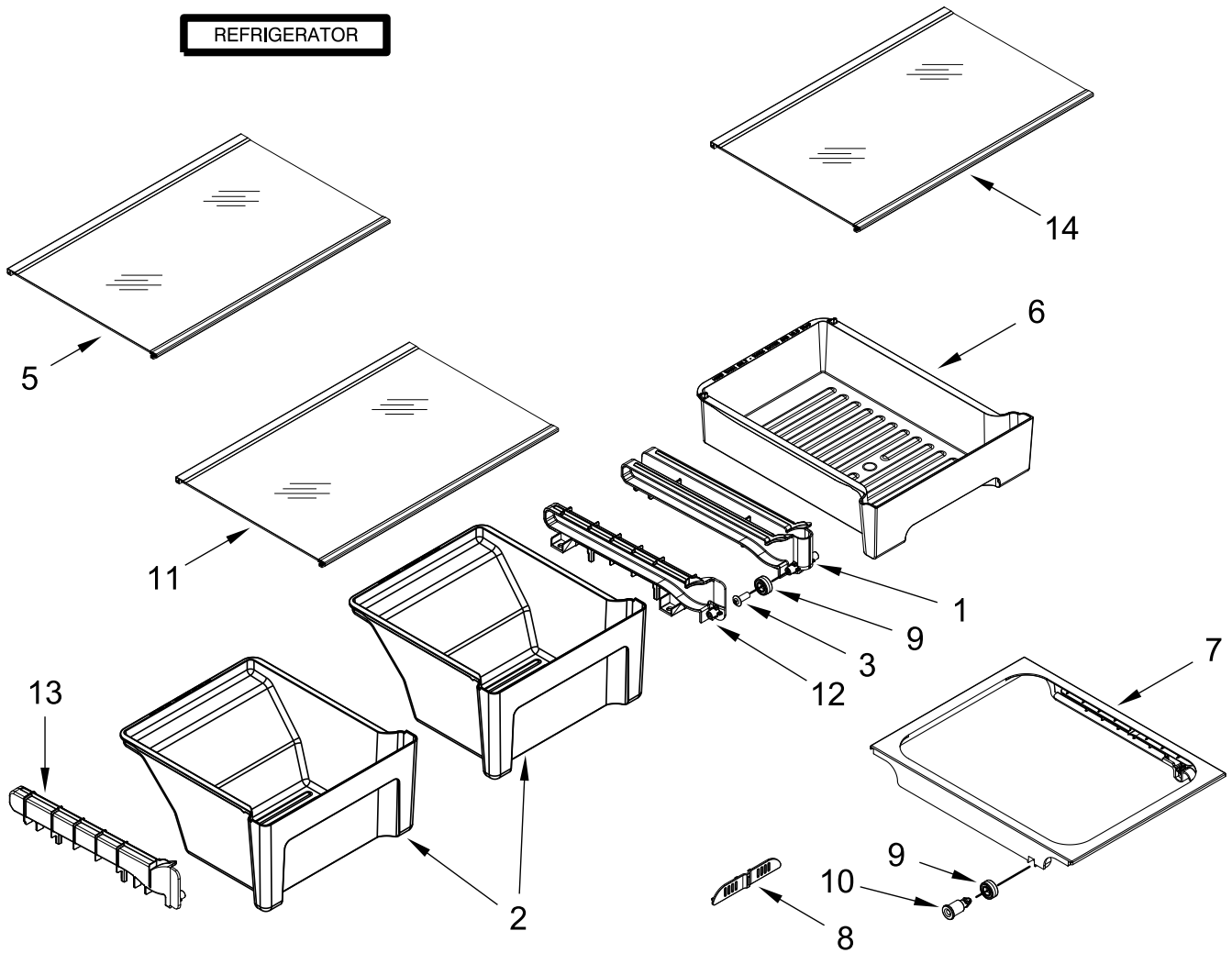
## FREEZER



---

---

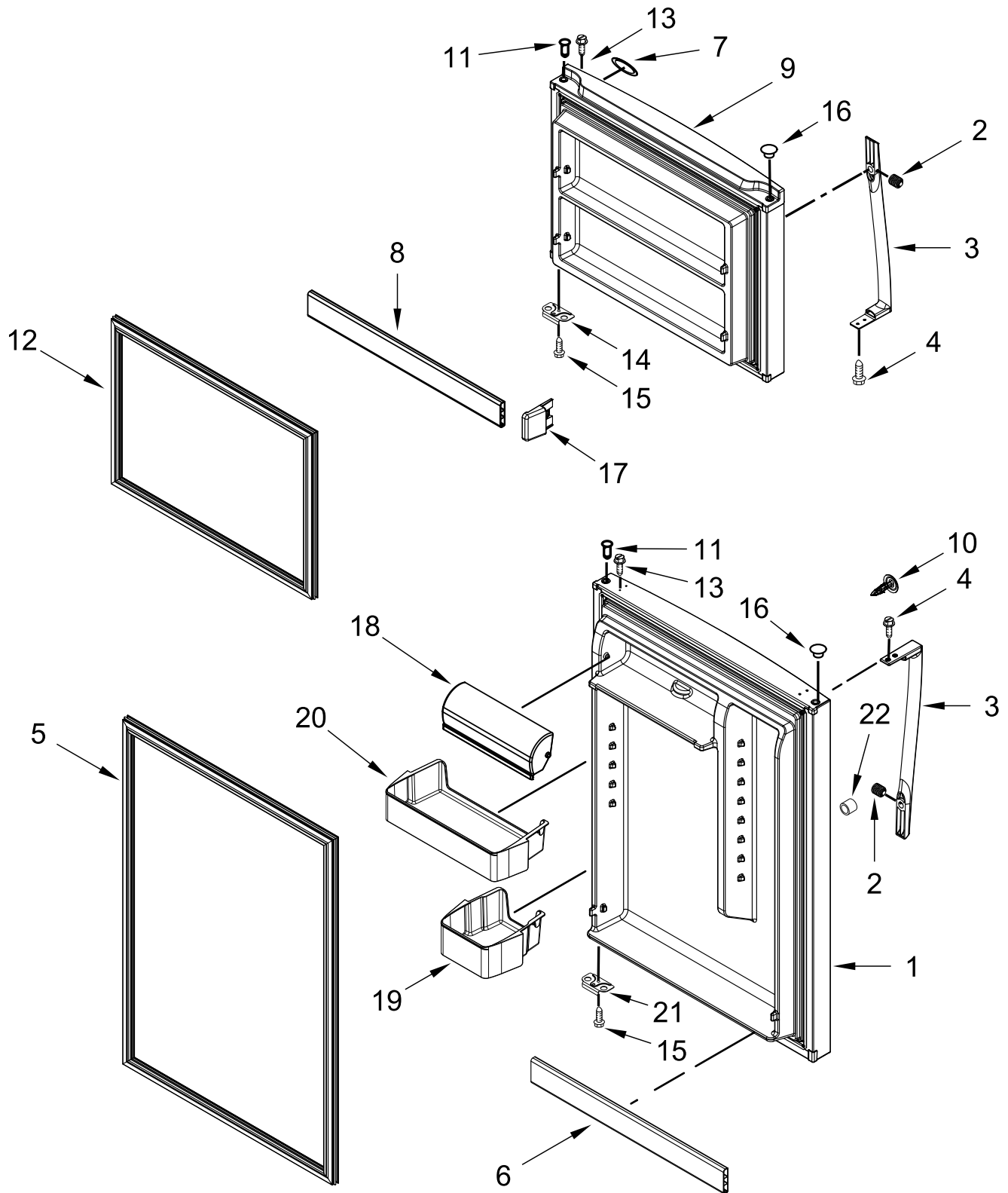
## REFRIGERATOR



# SHELF PARTS

<u>Illus.</u> <u>No.</u>	<u>Part No.</u>	<u>Description</u>	<u>Illus.</u> <u>No.</u>	<u>Part No.</u>	<u>Description</u>	<u>Illus.</u> <u>No.</u>	<u>Part No.</u>	<u>Description</u>
1	W11526406	Rail, Center Track	7	W10628698	Holder, Meat Pan	13	W11526404	Rail, Track (Left Hand)
2	W10668872	Assembly, Crisper Pan	8	W10356844	Control, Humidity	14	W10628707	Assembly, Shelf
3	3400065	Screw (Stainless)	9	W10628713	Roller, Pan			
4	W11517075	Assembly, FC Shelf	10	W10628712	Axle, Roller			
5	W11516570	Assembly, RC Shelf	11	W11167857	Shelf Assembly, Crisper			
6	W10714006	Pan, Meat	12	W11526405	Rail, Track (Right Hand)			

# DOOR PARTS





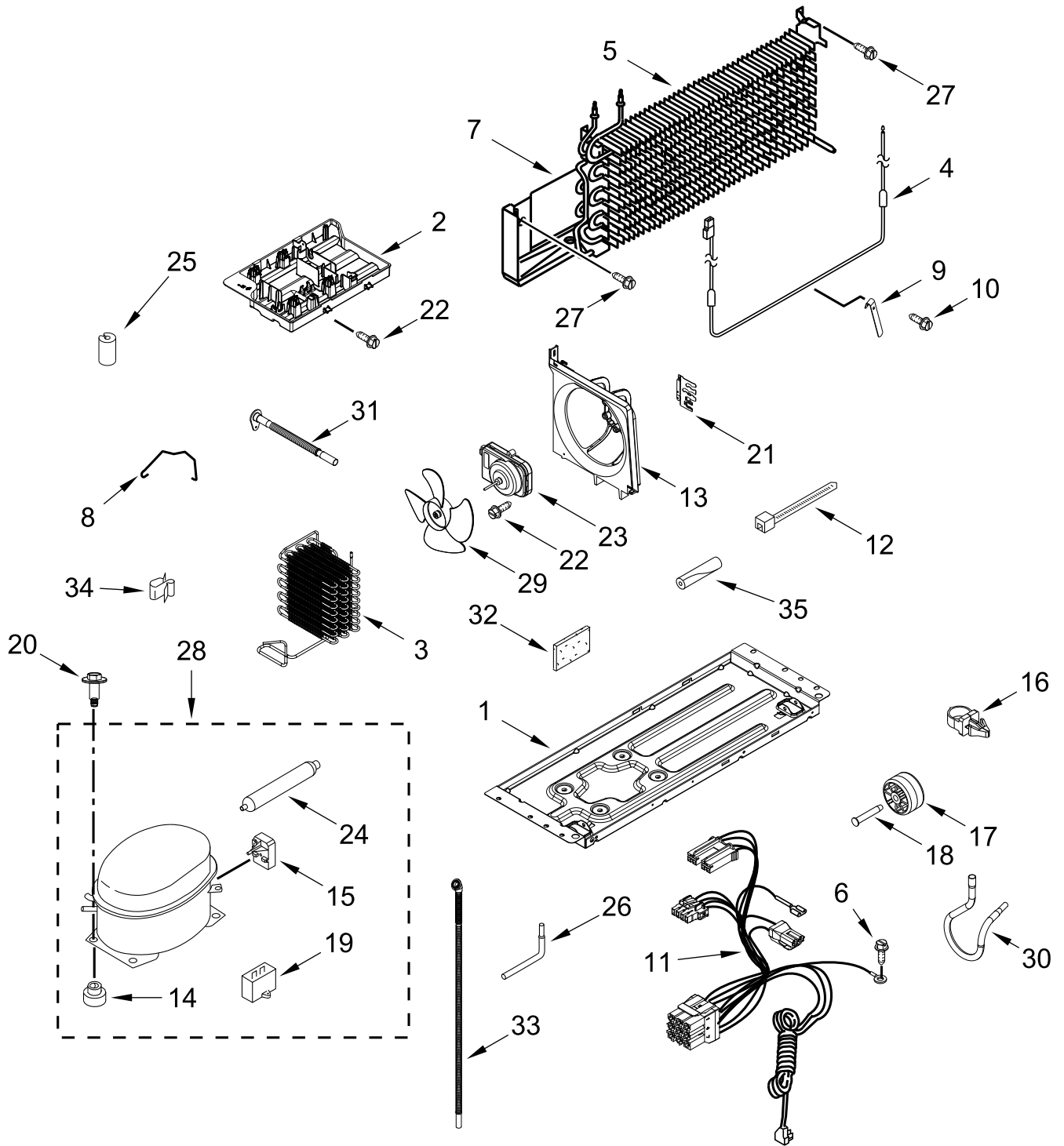
# DOOR PARTS

<u>Illus. No.</u>	<u>Part No.</u>	<u>Description</u>
1		Refrigerator Door (Includes Door Gasket)
	W10636232	White
	W10672970	Black
	W10685257	Biscuit
	W10672972	Stainless
2	W10170540	Screw
3		Handle, Door
	W10580723	White
	W10656973	Black
	W10656974	Biscuit
	W10653471	Stainless
4	489357	Screw
5		Gasket, Door
	W10638676	White
	W10678768	Black
	W11030687	Beige
	W11030683	Grey
6	W10592149	Trim, Door
7	W10884775	Badge
8	W10592151	Trim, Door

<u>Illus. No.</u>	<u>Part No.</u>	<u>Description</u>
9		Freezer Door (Includes Door Gasket)
	W10636404	White
	W10672964	Black
	W10685227	Biscuit
	W10672966	Stainless
10		Plug, Hole
	W10663736	White
	W10663737	Black
	W10663738	Biscuit
	W10663739	Grey
11		Thimble
	W10492018	White
	W10334042	Black
	W10492019	Biscuit
	W10492022	Grey
12		Gasket, Door
	W10638675	White
	W10667843	Black
	W11030686	Beige
	W11030682	Grey

<u>Illus. No.</u>	<u>Part No.</u>	<u>Description</u>
13	8281206	Screw
14	2189202	Bracket, Door Stop
15	8533904	Screw
16		Plug, Hole
	2212648	White
	2212651	Black
	2212649	Biscuit
	2254517	Grey
17	W10592153	Cap, Trim End
18	W10601425	Compartment, Door
19	W10308867	Bin Short
20	W10308868	Bin, Large Door
21	W10638692	Bracket, Door Stop
22	W10511911	Bushing, Handle

# UNIT PARTS



# UNIT PARTS

<u>Illus.</u> <u>No.</u>	<u>Part No.</u>	<u>Description</u>	<u>Illus.</u> <u>No.</u>	<u>Part No.</u>	<u>Description</u>	<u>Illus.</u> <u>No.</u>	<u>Part No.</u>	<u>Description</u>
1	W10624648	Support Plate, Compressor	11	W11238433	Harness, Unit	27	489442	Screw
2	W10633582	Tray, Evaporator	12	2263990	Tie, Wire	28	W11332034	Compressor (Also Order the Following Lokring Parts)
3	W11290570	Condenser (Also Order the Following Lokring Parts)	13	W11438498	Bracket, Fan		W11504415	8.5/8 NR MS 00 (Suction Tube to Compressor)
	W11504445	5/4 NR MS 00 (Heat Loop to Condenser)	14	W10806346	Grommet, Compressor		W11504431	7/5 NR MS 00 (Compressor to Condenser)
	W11506623	5 NK MS 00 (Suction Line to Condenser)	15	W11359381	Device, Combination Start (Start Relay and Overload)		W11506619	8 NK MS 00 (Charging Tube to Compressor)
4	W11340898	Heater, Defrost	16	2219077	Clip, Harness	29	W10817071	Blade, Fan
5	W11488141	Assembly, Evaporator (Also Order the Following Lokring Parts)	17	W10475495	Roller	30	W11361071	Tube, Suction
	W11504419	(8/7 NR AL 00) (Suction Line to Evaporator)	18	2179826	Axle, Rivet	31	W11383479	Extension, Drain Tube
	W11504449	4/2 NR AL 00 (Capillary Tube to Evaporator)	19	W10590083	Capacitor	32	2215468	Insulation, Sound
6	488500	Screw	20	W10476309	Screw	33	W10633573	Tube, Drain
7	W11377819	Heat Shield	21	W11340313	Bracket, Evaporator	34	2326941	Clip, Wire
8	W11495051	Strap, Bale	22	W10622701	Screw	35	2264838	Sleeve REFRIGERANT CHARGE 47 grams (R600A)
9	W11399989	Heat Probe	23	W10909387	Motor, Condenser Fan			
10	489478	Screw	24	W10805035	Drier (Service Drier Without Dye) (Also Order the Following Lokring Parts)			
				W11504445	5/4 NR MS 00 (Heat Loop to Drier)			
				W11504449	4/2 NR AL 00 (Capillary Tube to Drier)			
			25	2319835	Grommet, Condenser			
			26	2174739	Tube, Process			

# OPTIONAL PARTS

<u>Illus.</u> <u>No.</u>	<u>Part No.</u>	<u>Description</u>
	978941	Insulation, Fiberglass (63 1/2" x 35 1/2" x 2 5/8")
	212643	Sealer, Gum (4 Feet)
	479502	Tape, Vinyl (3/4 x 108")
	876305	Insulation Kit (14 Pieces, 3" x 24" x 48")
	876370	Insulation (2 Pieces, 3" x 24" x 48")
	876029	Kit, Foam Slab (30" x 32 1/2" x 1 1/2")
	505587	Sealer, Mastic (1 Qt)
	511873	White Porcelain (2 oz.)
	542638	Grease, Silicone (1/2 Oz.)
	542639	Cement, Alumilastic (1 1/4 Oz.)
	606755	Bag
	833938	Kit, Terminal Connector
	503695	Cork, Sealer
	8003RP	Kit, Water Inlet
W10662124		Door Reversal Kit, White Model
W10676239		Door Reversal Kit, Black Model
W10691128		Door Reversal Kit, Biscuit Model
W10676240		Door Reversal Kit Stainless Model
		FIELD INSTALLABLE ICE MAKER
W11517113		Complete Ice Maker Kit