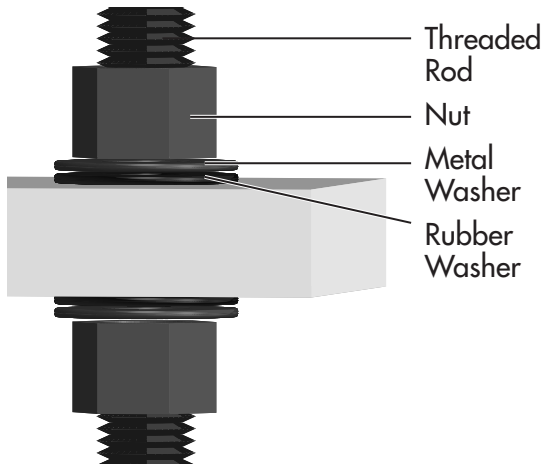


Archetype Assembly Instructions

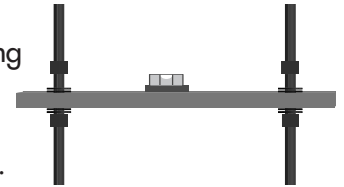


Basic Assembly

The Archetype shelf construction consists of a nut, metal washer and neoprene rubber washer sandwiching the shelf material on each side.

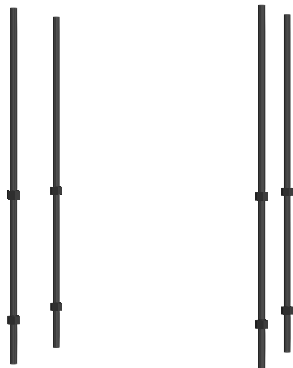
Leveling

Loosen top nuts then level shelf by adjusting the position of the lower nuts. Check for level on front and side (using level provided with rack). Then tighten top nuts.



Please Note

As part of its durable finish, metal parts are coated with a light oil. Please protect carpet and fabric from metal parts during assembly.



1. Put nuts on rods

Put two hex nuts on each of the four rods.



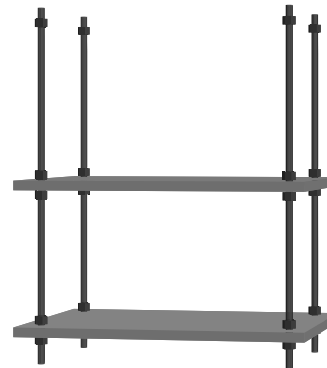
2. Install bottom shelf

Attach shelf to underside of lower nuts. Be sure to remember the metal and rubber washers as illustrated at top of page. Adjust bottom shelf to desired height and level using procedure described at top of page. Add rubber feet.



3. Install shelves

Lower the second shelf atop the four hex nuts, metal and rubber washers. Add rubber and metal washers and the hex nuts to the top of the shelf. Level the shelf and firmly secure it using the wrench.



4. Adding top nuts

Place a hex nut near the top of each rod and add metal and rubber washers.

Note: Assembly is shown with the A3, if you have a larger unit repeat step three as necessary.



5. Install top shelf

Position the top shelf so that the top of the rods are flush with the top of the shelf. Level the shelf by adjusting the lower nuts, then add the closed-end top fasteners until finger tight. Secure by tightening bottom nuts with wrench.



Limited Warranty

For five full years Salamander Designs Ltd will repair or replace, at our option, any product defective in materials or craftsmanship. Salamander Designs Ltd. will not be responsible for any damage to or destruction of other equipment consequential to our equipment failure. Defective product must be given Return Authorization and is to be returned to the factory prepaid, in the original carton and packing material. Any damage incurred in a shipment not in original packaging shall be the responsibility of the owner. Warranty repairs will be returned prepaid, via UPS within the continental U.S.A. only.

Salamander Designs Ltd. 800-535-5659