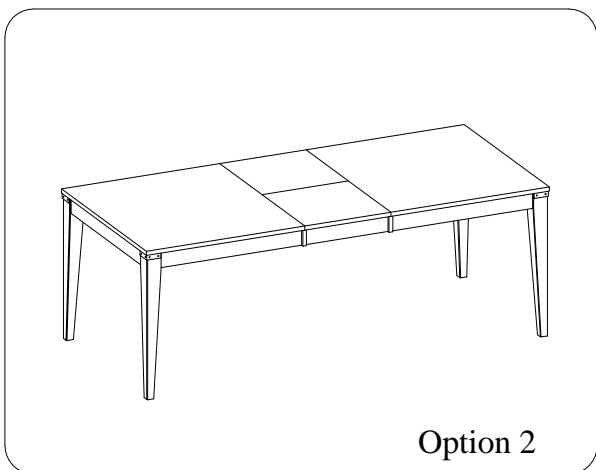
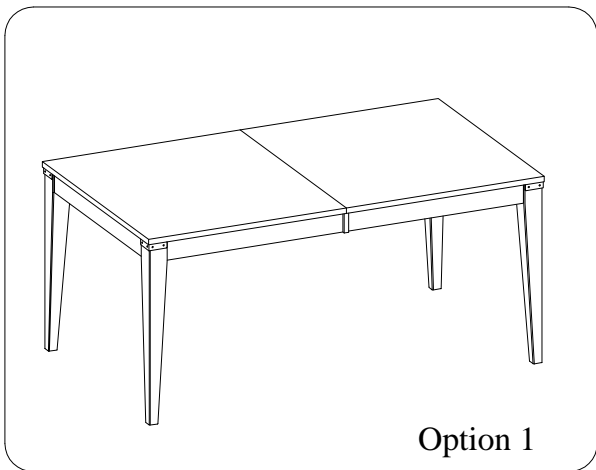




ITEM NO: I356-6050-BRB Extendable Dining Table

Thank you for purchasing this quality product. Be sure to check all packing material carefully for small parts that may come loose inside the carton during shipment.

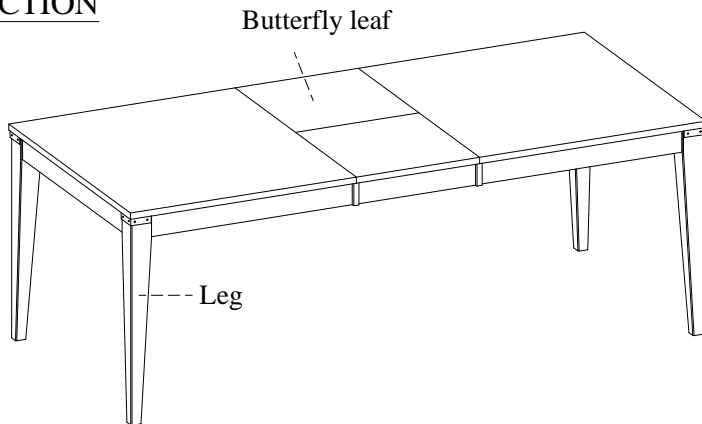


TOOLS REQUIRED (NOT PROVIDED)
PHILLIPS SCREWDRIVER

HARDWARE LIST:			
No.	Description	Sketch	Quantity
A	Hexagon Nut 5/16" x 5/16"		8 PCS
B	Spring Washer 5/16"		8 PCS
C	Flat Washer 5/16" x 7/8"		8 PCS
D	Spanner 1/2"		1 PC

COMPONENTS LIST:			
No.	Description	Sketch	Quantity
1	Table Top		1 PC
2	Leg		4 PCS

FUNCTIONALITY INSTRUCTION



BEFORE USING THIS PRODUCT PLEASE READ, UNDERSTAND, AND FOLLOW THESE INSTRUCTIONS. Save these instructions for future reference.

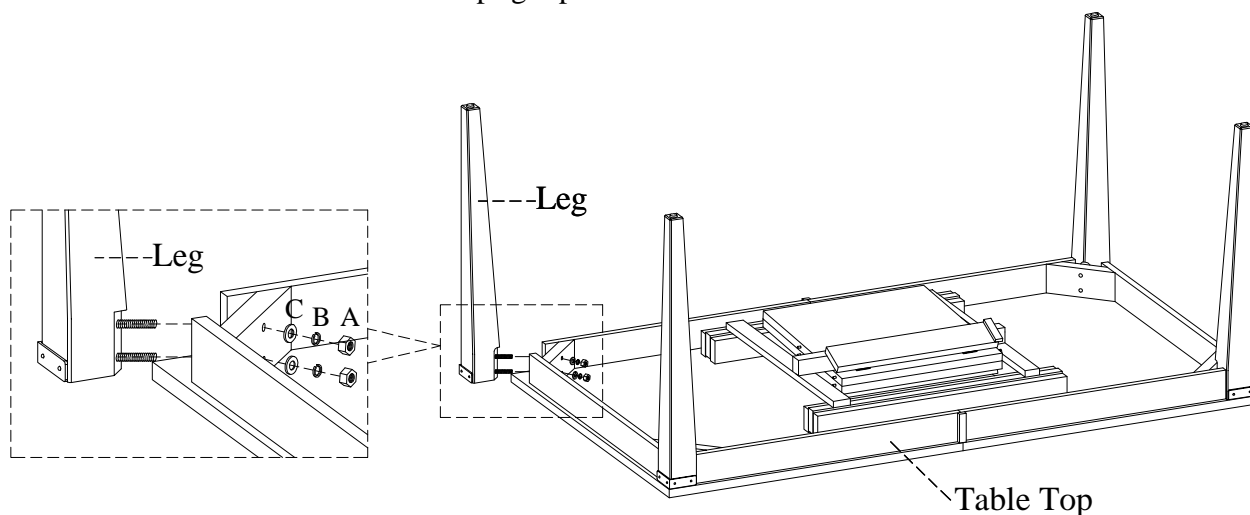
FOR INDOOR USE ONLY



ITEM NO: I356-6050-BRB Extendable Dining Table

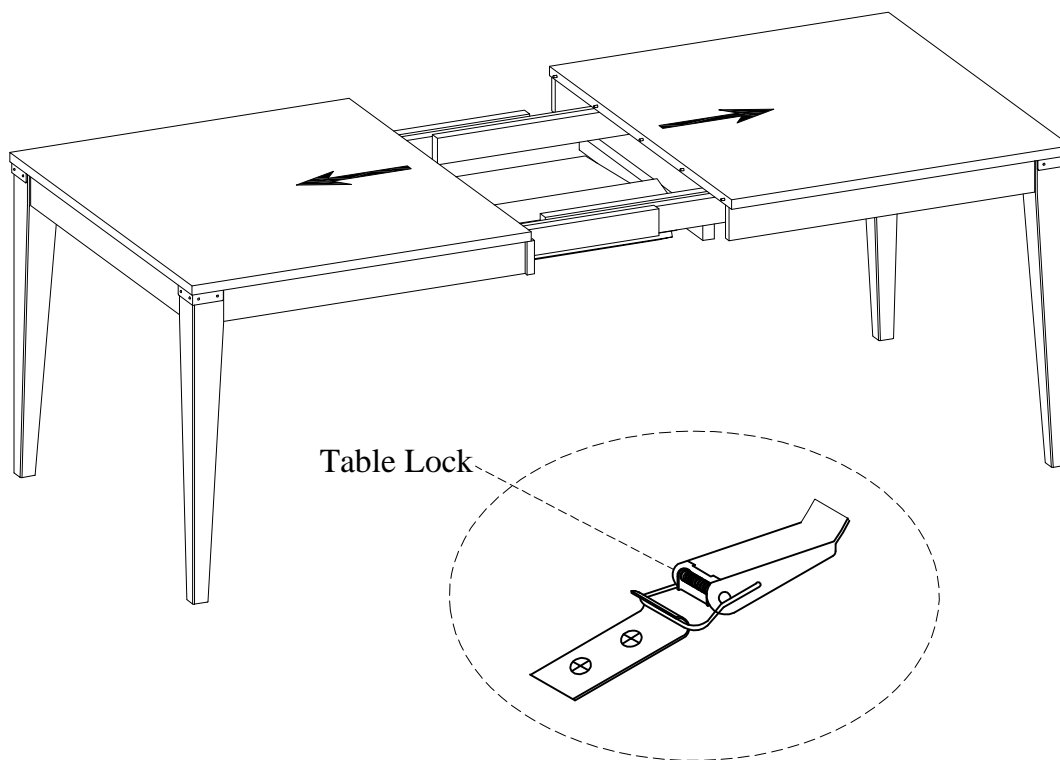
For OPTION 1:

STEP 1: Lay the table top face down on a soft surface. Attach the legs to table top by using 8 hexagon nuts(A), spring washers(B) and flat washers(C). Use the spanner (D) provided to tighten all the nuts. Turn the assembled table to the upright position.



For OPTION 2:

STEP 2: Open the table locks under the table top and pull out the table tops toward both ends completely.

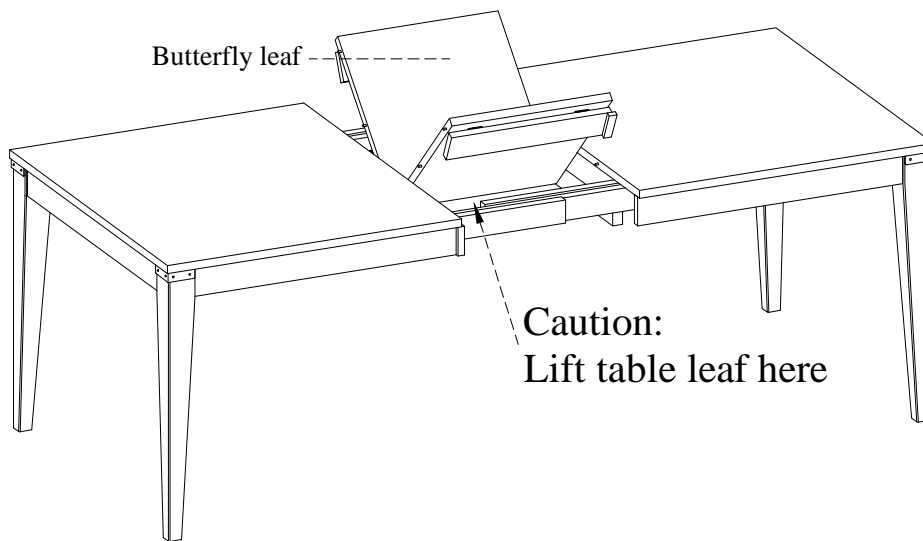
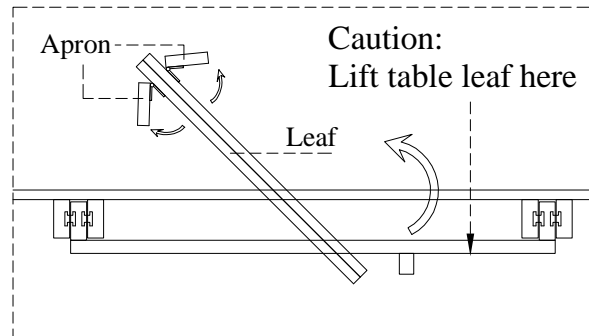




ITEM NO: I356-6050-BRB Extendable Dining Table

STEP 3: Unfold the butterfly leaf as shown right, be careful do not damage the hinges and wood surfaces of the leaves.

Caution: Careful your hands don't be nipped, when flip up or down the leaves and aprons. Please flip up the aprons at first to prevent damage the aprons' surface.



STEP 4: When the butterfly leaf is completely unfolded which the top surface is flushed with the tabletop, push the table tops until the tabletop fully closed. Lock back the table locks under the table top.

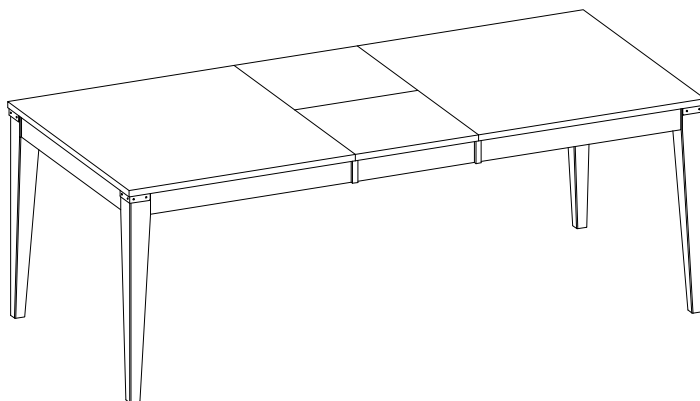
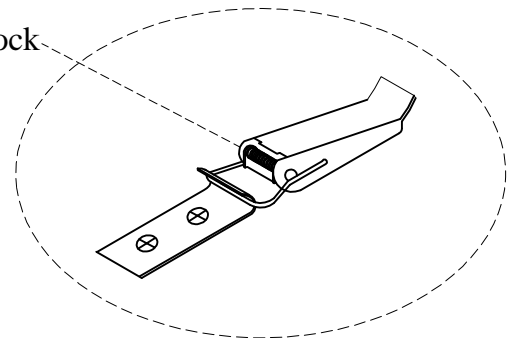


Table Lock

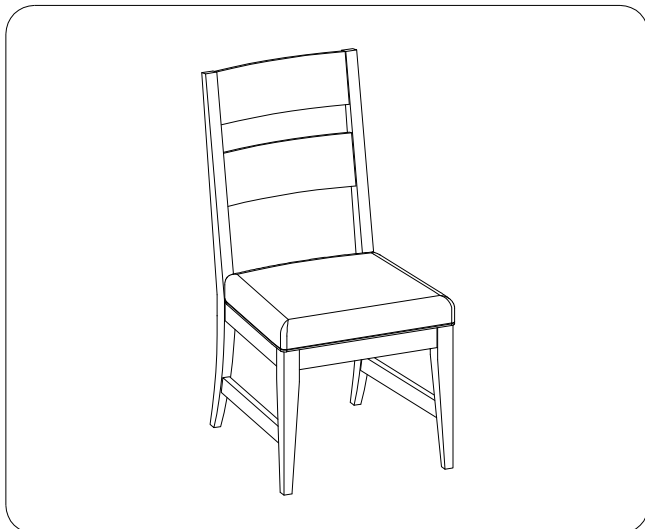


Notes: When reassemble to option 1, please replace steps 4 & 3 and then step 2 above.



ITEM NO: I356-6640S-BRB Dining Side Chair w/ Uph Seat (2/Ctn)







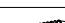
Thank you for purchasing this quality product. Be sure to check all packing material carefully for small parts that may come loose inside the carton during shipment.









TOOLS REQUIRED (NOT PROVIDED)

PHILLIPS SCREWDRIVER 

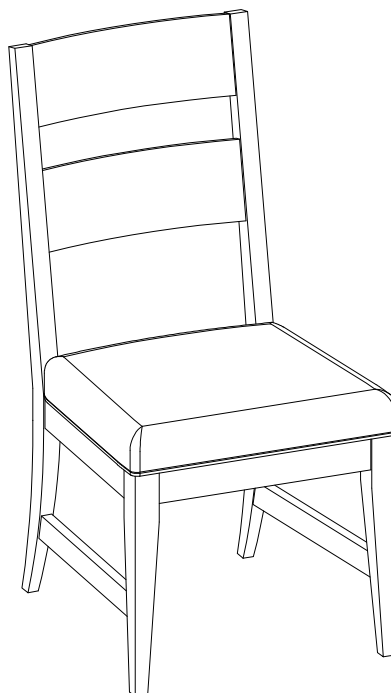
HARDWARE LIST:

No.	Description	Sketch	Quantity
A	Hex. Bolt M6 x 3-1/8"		4 PCS
B	Hex. Bolt M6 x 2-3/8"		4 PCS
C	Hex. Bolt M6 x 1-9/16"		2 PCS
D	Spring Washer 1/4"		10 PCS
E	Flat Washer 1/4" x 3/4"		10 PCS
F	Spanner		1 PC
G	PHRS Screw #8 x 1-1/4"		4 PCS

COMPONENTS LIST:

No.	Description	Sketch	Quantity
1	Chair Back		1 PC
2	Chair Seat		1 PC
3	Left Front Leg		1 PC
4	Right Front Leg		1 PC
5	Left Side Stretcher		1 PC
6	Right Side Stretcher		1 PC

FUNCTIONALITY INSTRUCTION

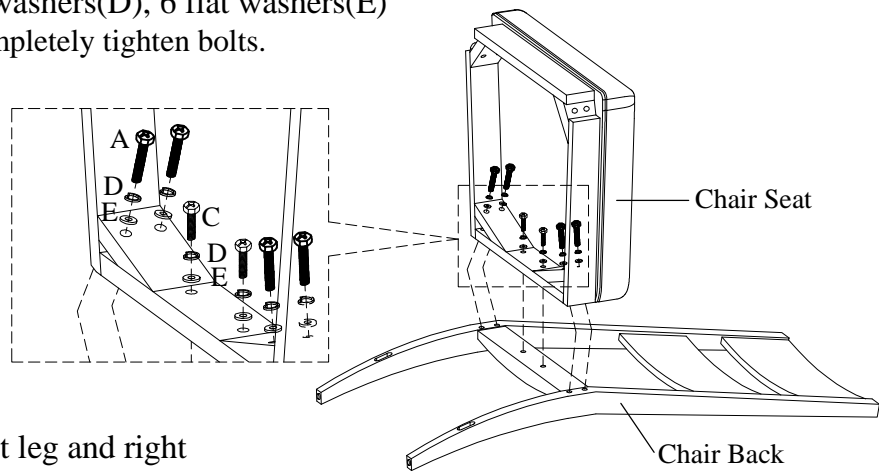


BEFORE USING THIS PRODUCT PLEASE READ, UNDERSTAND, AND FOLLOW THESE INSTRUCTIONS.

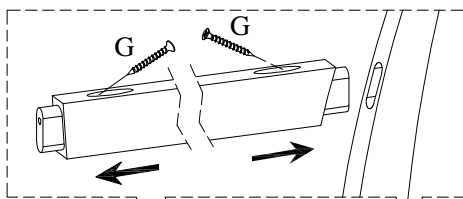
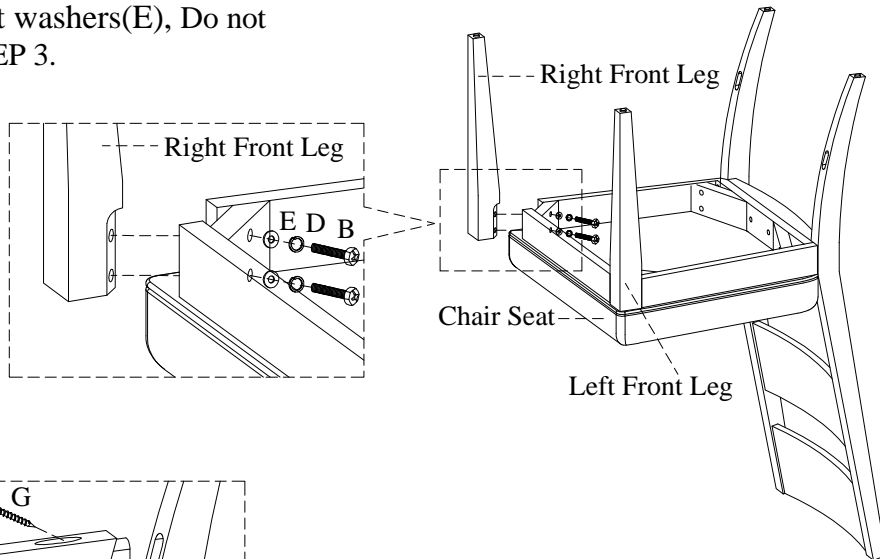
Save these instructions for future reference.

FOR INDOOR USE ONLY

STEP 1: Attach the chair seat to chair back by using 4 bolts(A), 2 bolts(C), 6 lock washers(D), 6 flat washers(E) with a spanner(F), Do not completely tighten bolts.



STEP 2: Attach the left front leg and right front leg to chair seat by using 4 bolts(B), lock washers(D), flat washers(E), Do not tighten bolts until STEP 3.



STEP 3: Attach the left side stretcher and right side stretcher to the front legs and chair back with wood screws(G). Completely tighten all wood screws and bolts. Turn the assembled chair to the upright position.

